



US00D583930S

(12) **United States Design Patent**
McAuley et al.

(10) **Patent No.:** **US D583,930 S**

(45) **Date of Patent:** **** *Dec. 30, 2008**

(54) **FACE MASK**

(75) Inventors: **Alastair Edwin McAuley**, Auckland (NZ); **Christopher Earl Nightingale**, London (GB); **Aidan Mark Shotbolt**, Dunedin (NZ); **Oliver Gleeson**, Auckland (NZ)

(73) Assignee: **Fisher & Paykel Healthcare Limited**, Auckland (NZ)

(**) Term: **14 Years**

(21) Appl. No.: **29/240,561**

(22) Filed: **Oct. 14, 2005**

Related U.S. Application Data

(63) Continuation-in-part of application No. 29/210,289, filed on Jul. 29, 2004.

(51) **LOC (8) Cl.** **29-02**

(52) **U.S. Cl.** **D24/110.1; D24/110.4**

(58) **Field of Classification Search** D24/110.1, D24/110.4, 110.5; 128/207.13, 206.28, 206.12, 128/205.25, 206.21

See application file for complete search history.

(56) **References Cited**

U.S. PATENT DOCUMENTS

D303,587 S 9/1989 Quinn et al.
D305,166 S 12/1989 Quinn et al.

D323,908 S 2/1992 Hollister et al.
D349,586 S 8/1994 Handke
D397,215 S 8/1998 Hoftman
D476,732 S 7/2003 Smart
D492,992 S 7/2004 Guney et al.
D493,885 S 8/2004 Raje et al.
D506,827 S 6/2005 Jones et al.
D507,831 S 7/2005 Rosenkranz et al.
6,926,004 B2 8/2005 Schumacher
2003/0034034 A1 2/2003 Kwok et al.

Primary Examiner—Ian Simmons

Assistant Examiner—Christopher Lee

(74) *Attorney, Agent, or Firm*—Trexler, Bushnell, Giangiorgi, Blackstone & Marr, Ltd.

(57) **CLAIM**

The ornamental design for a face mask, as shown and described.

DESCRIPTION

FIG. 1 is a front perspective view of the face mask in accordance with our design;

FIG. 2 is a front elevational view of the face mask;

FIG. 3 is a rear elevational view of the face mask;

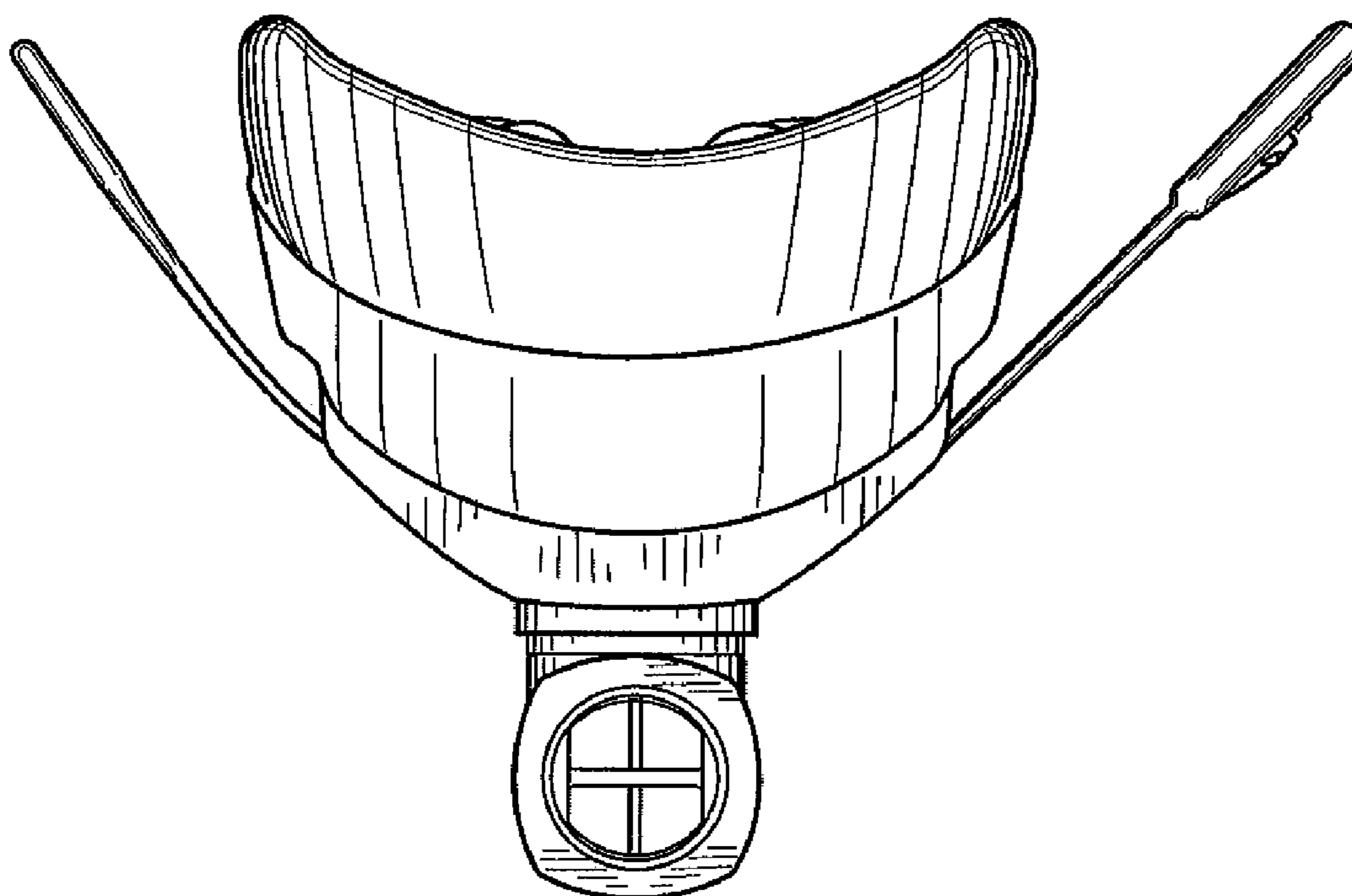
FIG. 4 is a right elevational side view of the face mask;

FIG. 5 is a left elevational side view of the face mask;

FIG. 6 is a top plan view of the face mask; and,

FIG. 7 is a bottom plan view of the face mask.

1 Claim, 7 Drawing Sheets



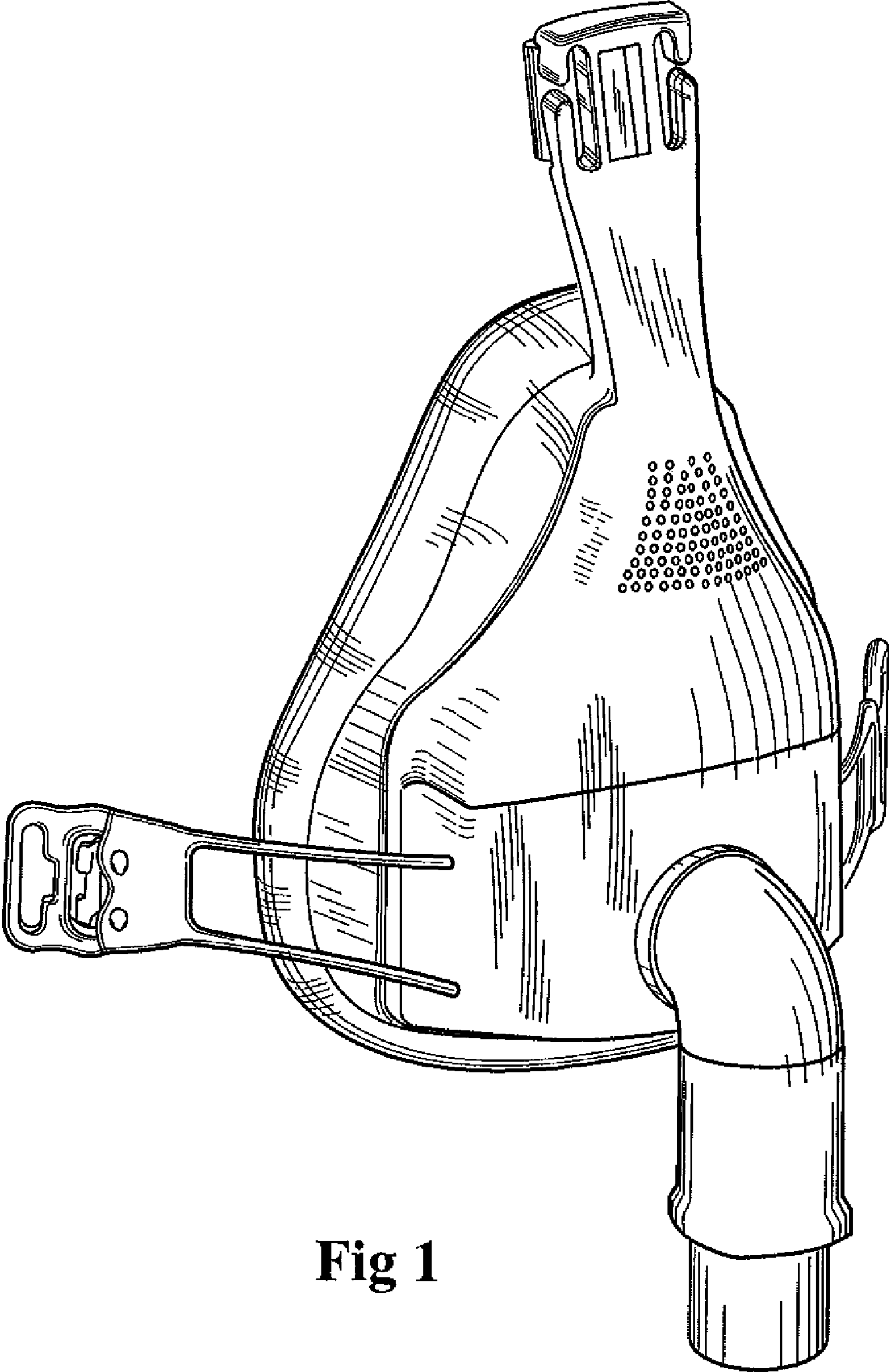


Fig 1

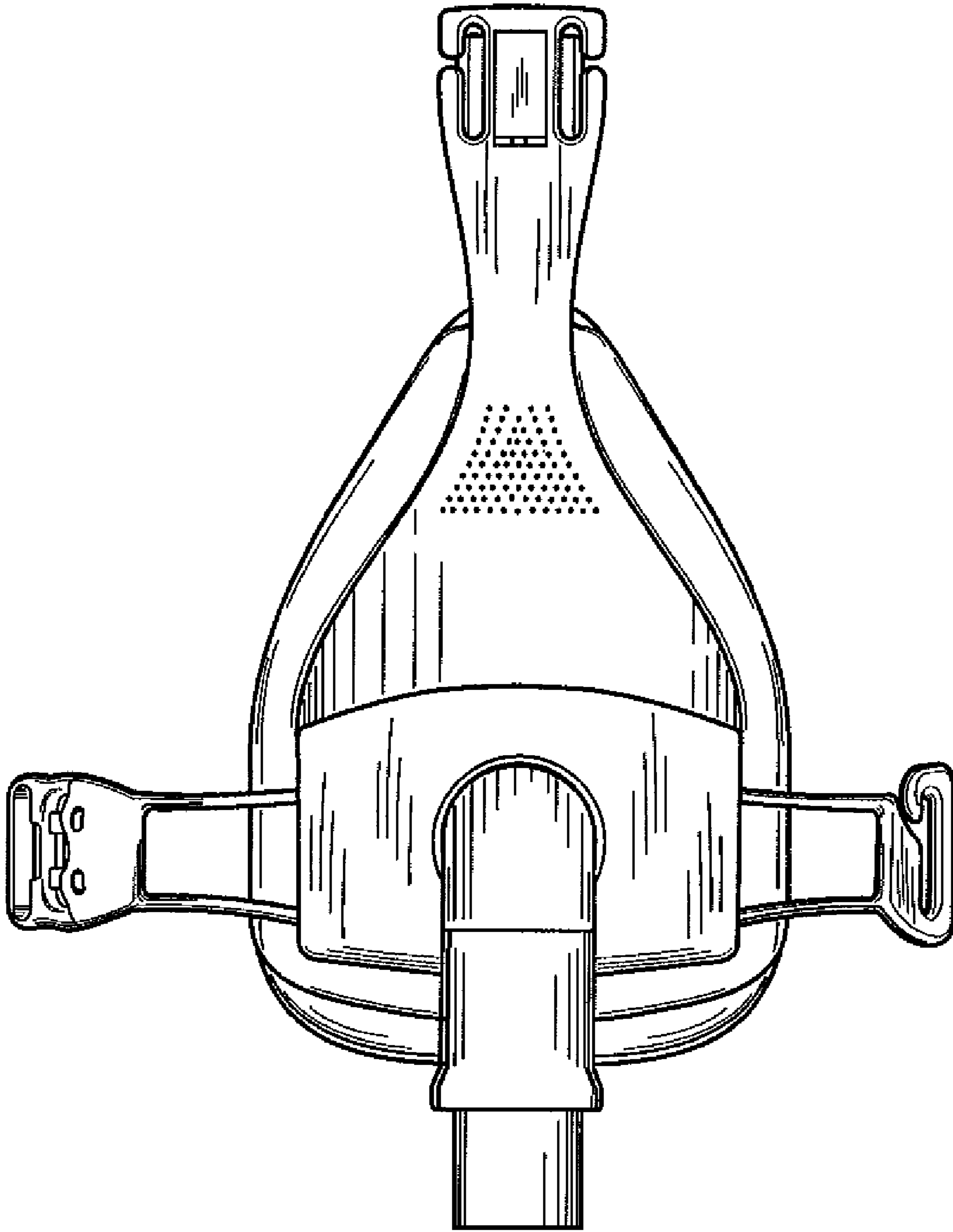


Fig 2

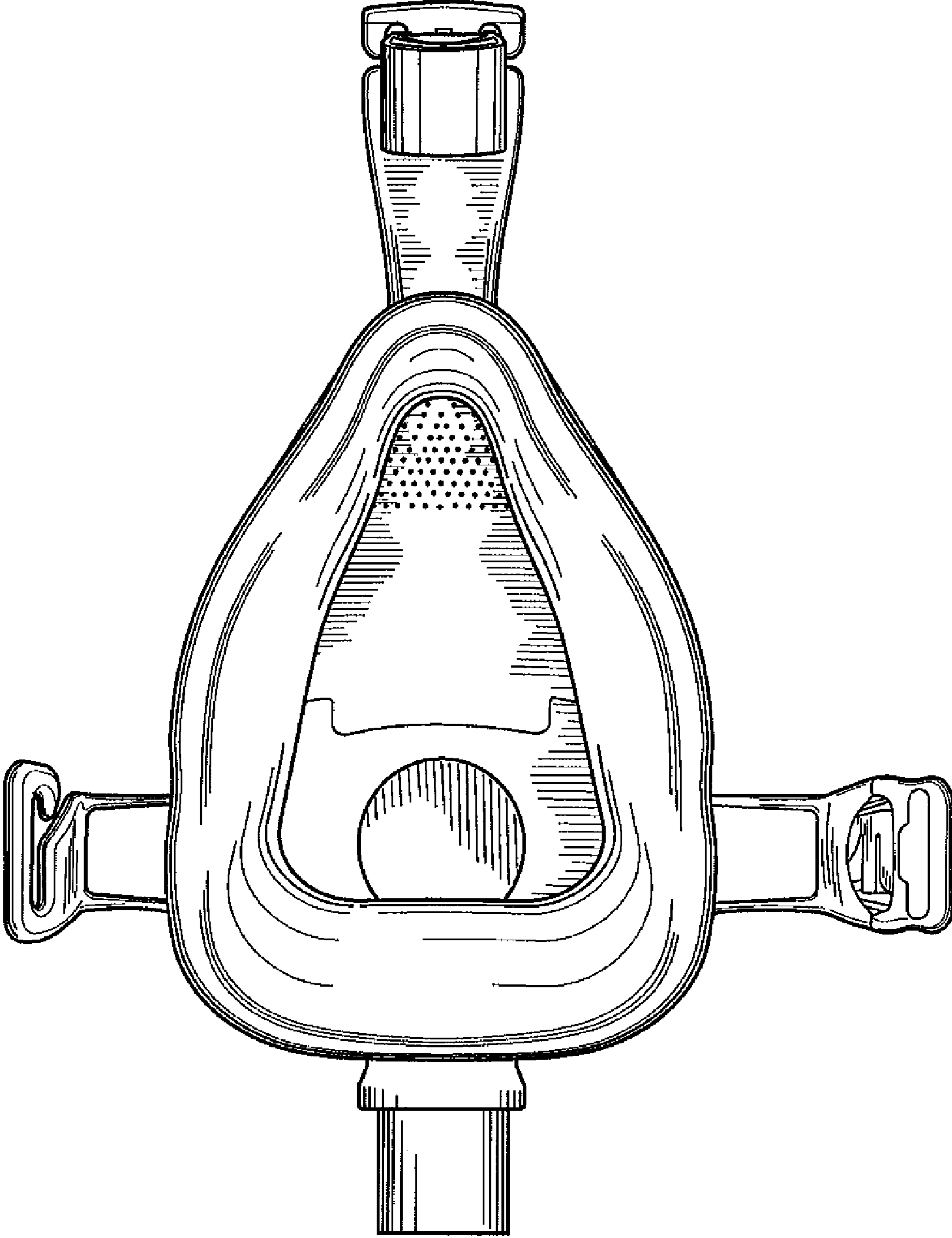


Fig 3

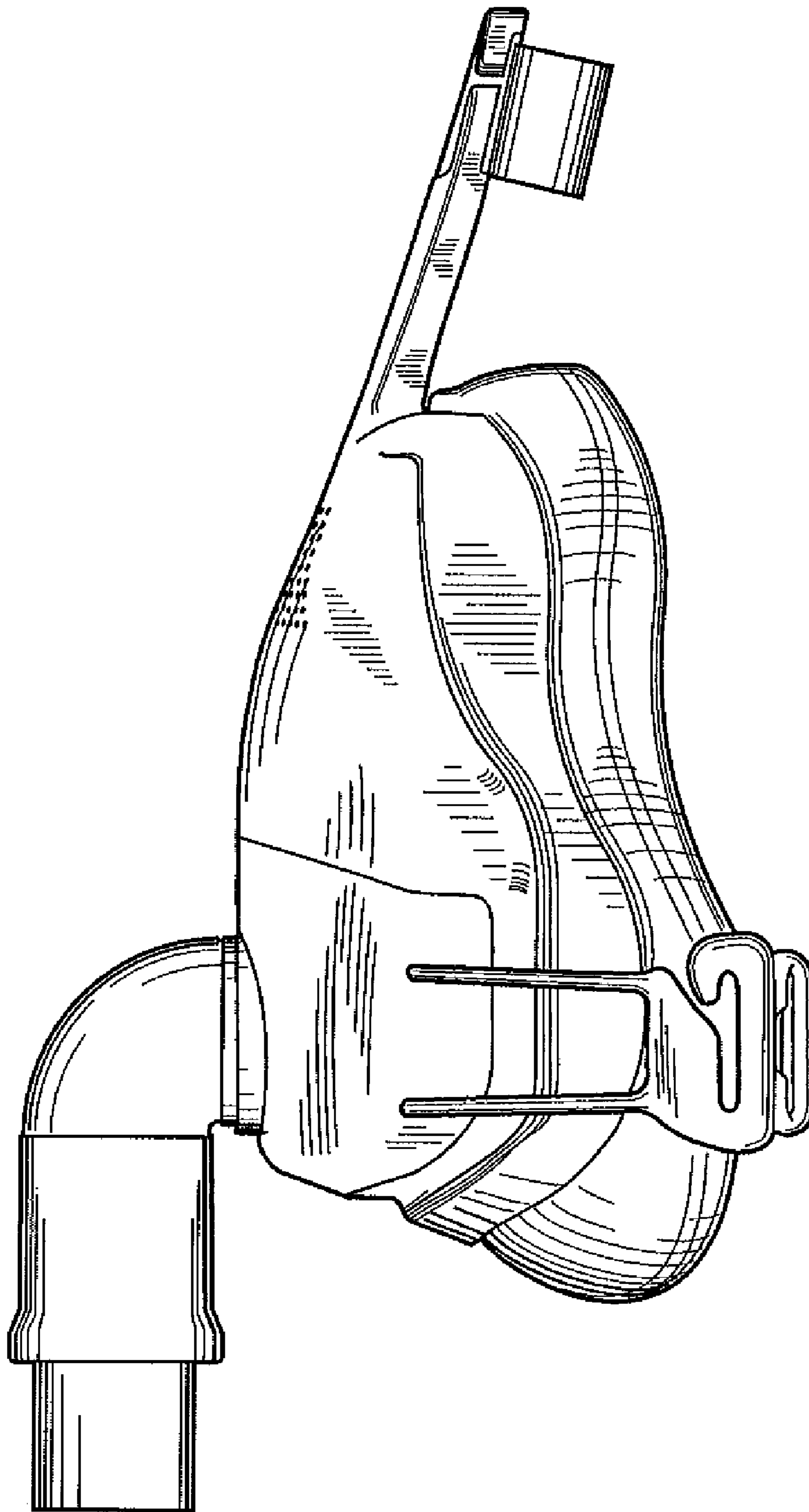


Fig 4

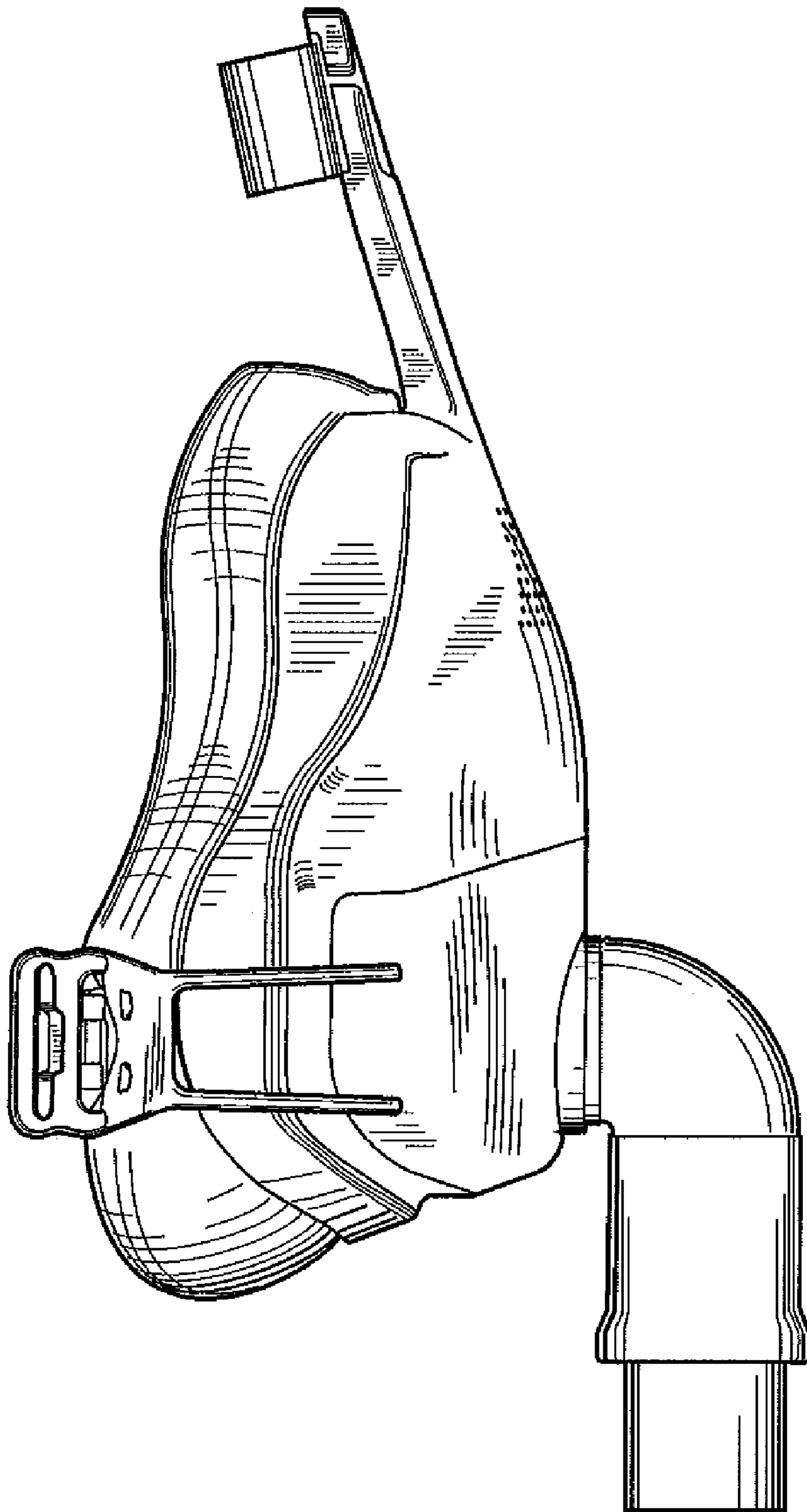


Fig 5

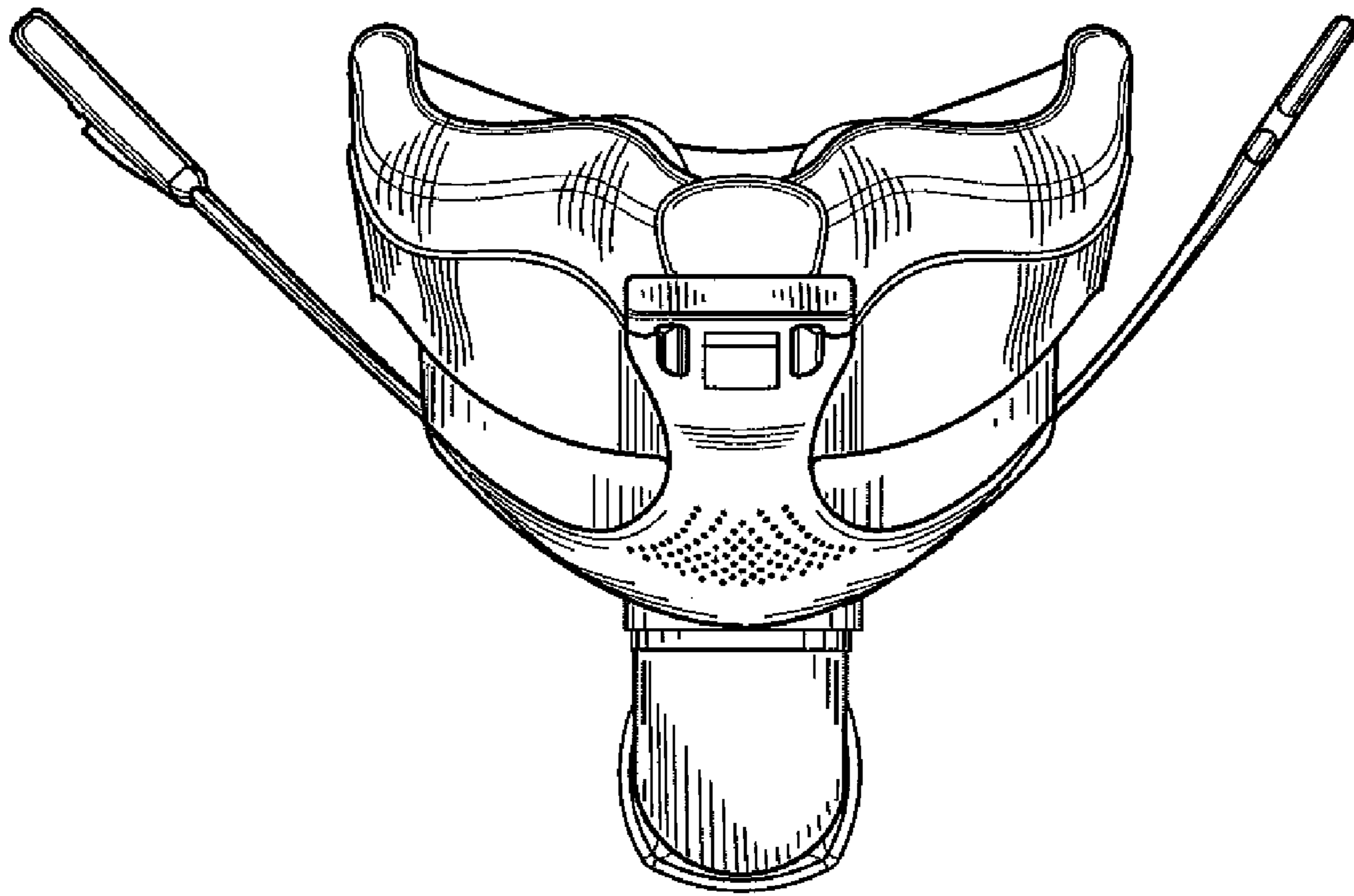


Fig 6

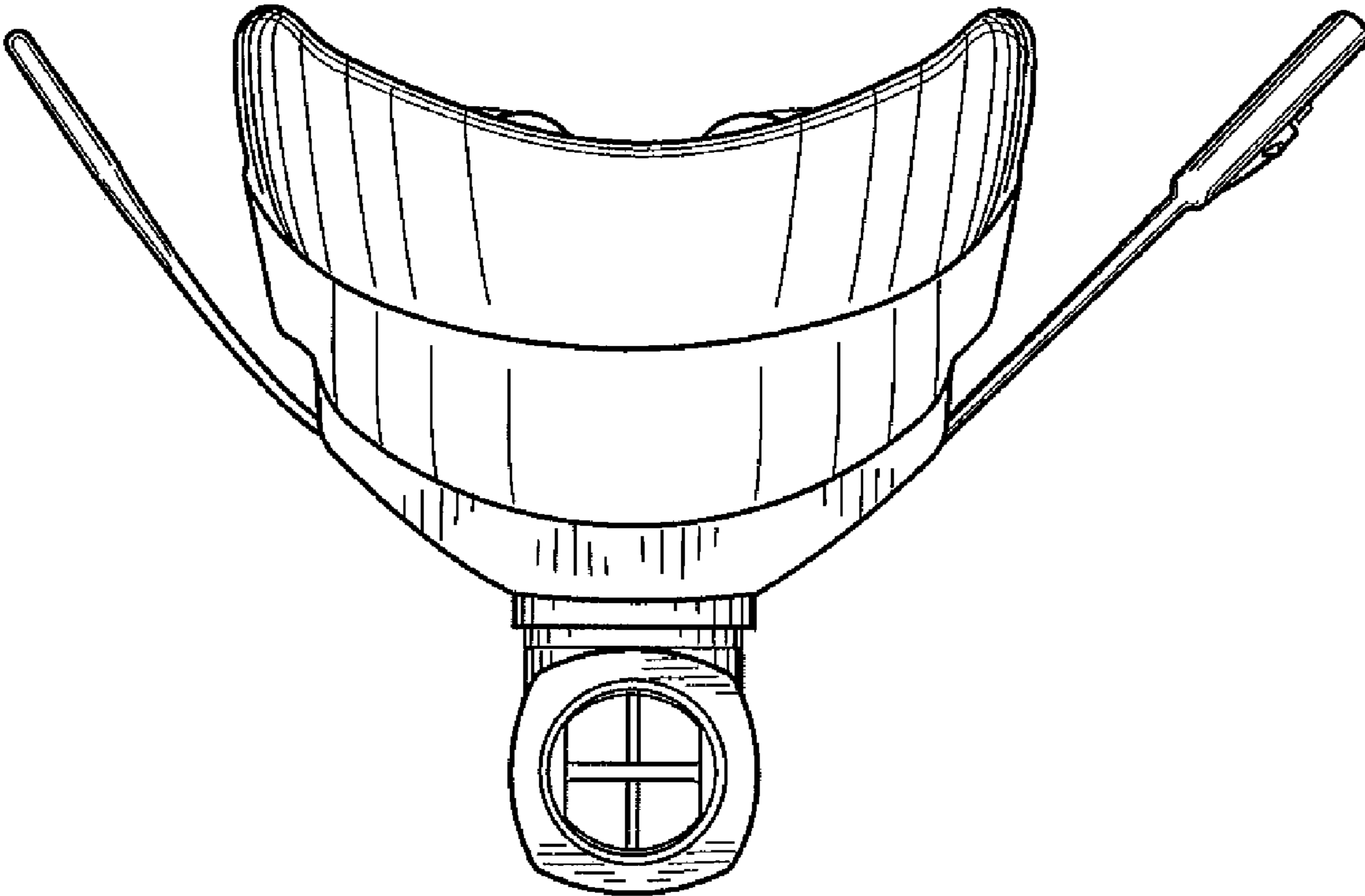


Fig 7