



US00D583929S

(12) **United States Design Patent**
Reusch

(10) **Patent No.:** **US D583,929 S**

(45) **Date of Patent:** **** Dec. 30, 2008**

(54) **FLOW TUBE**

(76) Inventor: **Stefan Reusch**, Wemleife 15,
Germunden (DE) 97737

(**) Term: **14 Years**

(21) Appl. No.: **29/299,690**

(22) Filed: **Jan. 2, 2008**

Related U.S. Application Data

(62) Division of application No. 29/239,806, filed on Oct. 4, 2005, now Pat. No. Des. 574,951.

Foreign Application Priority Data

Apr. 4, 2005 (EM) 000319066-0001
Apr. 4, 2005 (EM) 000319066-0002
Apr. 4, 2005 (EM) 000319066-0003

(51) **LOC (8) Cl.** **24-02**

(52) **U.S. Cl.** **D24/110; D24/108**

(58) **Field of Classification Search** D24/110,
D24/108, 112, 133; 600/32; 128/207.12,
128/207.14, 207.16, 200.19, 204.24, 204.25,
128/200.24

See application file for complete search history.

(56) **References Cited**

U.S. PATENT DOCUMENTS

D263,166 S * 2/1982 Bushman D24/110

D320,474 S * 10/1991 Flannagan D24/110
5,080,650 A * 1/1992 Hirsch et al. 604/104
5,308,325 A * 5/1994 Quinn et al. 604/96.01
D360,027 S * 7/1995 Psaros D23/359
D379,854 S * 6/1997 Hirsch et al. D24/112
D492,772 S * 7/2004 Austin D24/110.6
2002/0073993 A1 * 6/2002 Weinstein et al. 128/200.24

* cited by examiner

Primary Examiner—Adir Aronovich
Assistant Examiner—Wan Laymon
(74) *Attorney, Agent, or Firm*—King & Schickli, PLLC

(57) **CLAIM**

The ornamental design for a flow tube, as shown and described.

DESCRIPTION

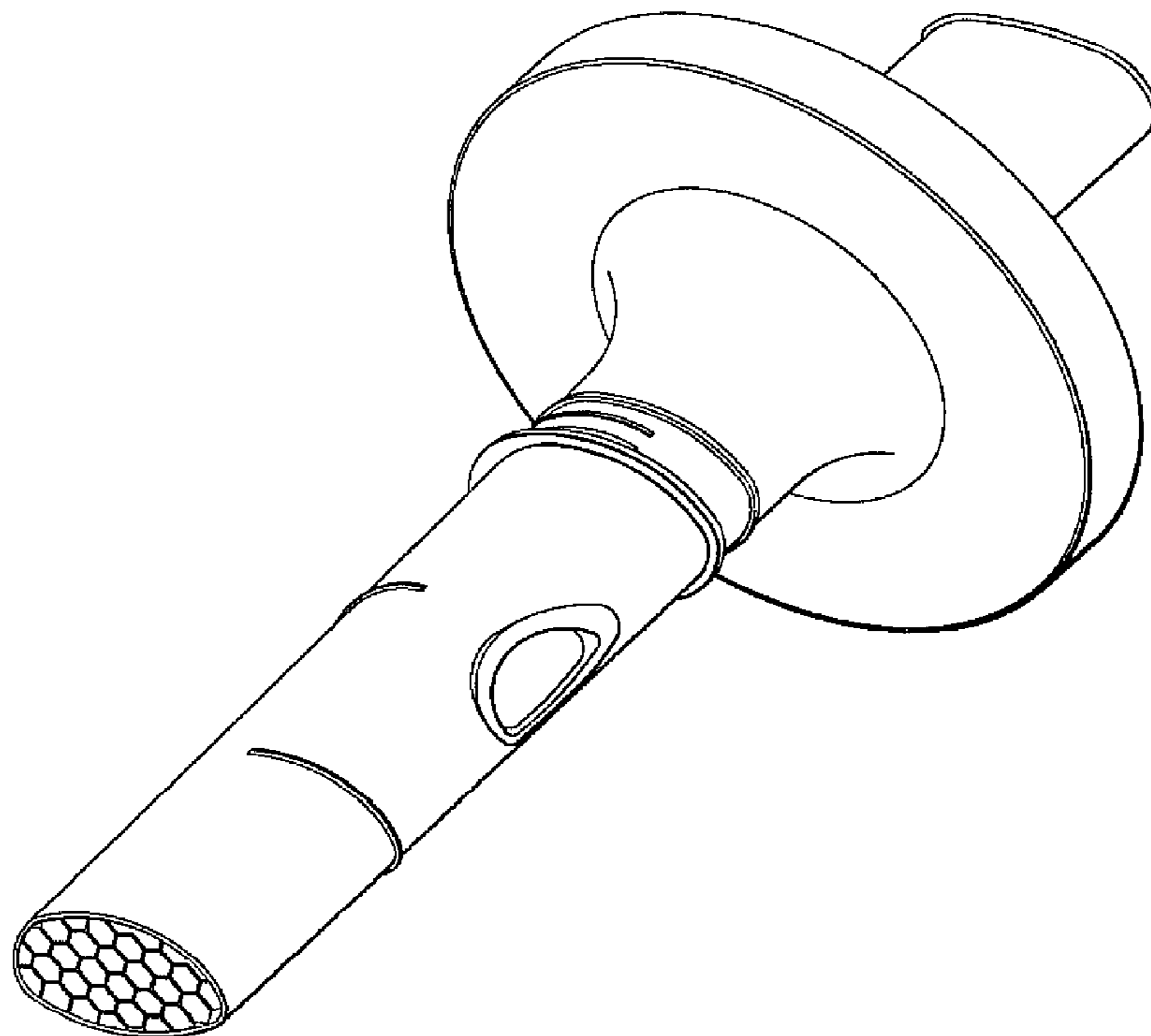
FIG. 1 is a top, front and right side perspective view of a flow tube showing my new design;

FIG. 2 is a right elevational view thereof;

FIG. 3 is a top plan view thereof; and,

FIG. 4 is front elevational view thereof.

1 Claim, 4 Drawing Sheets



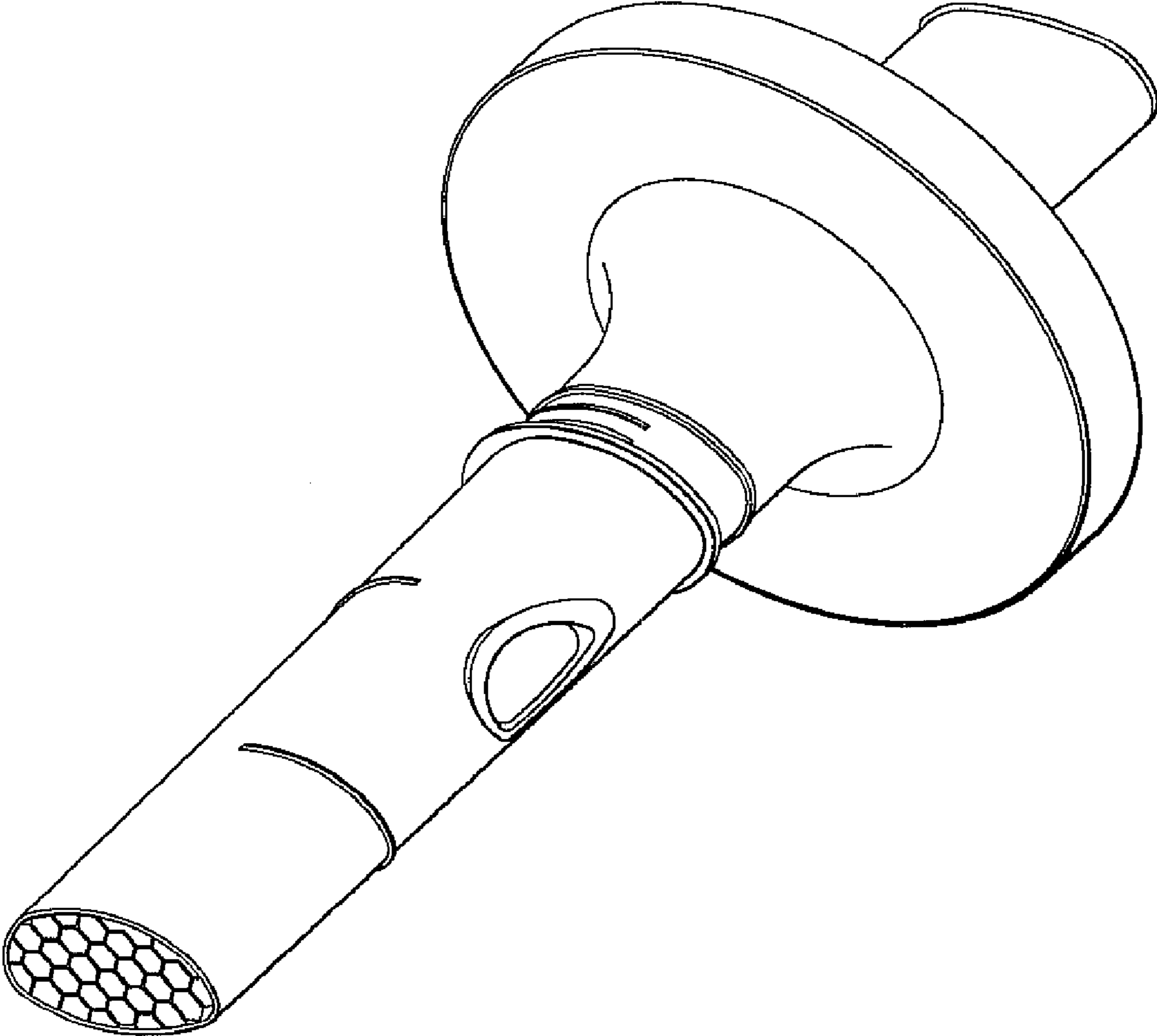


Fig. 1

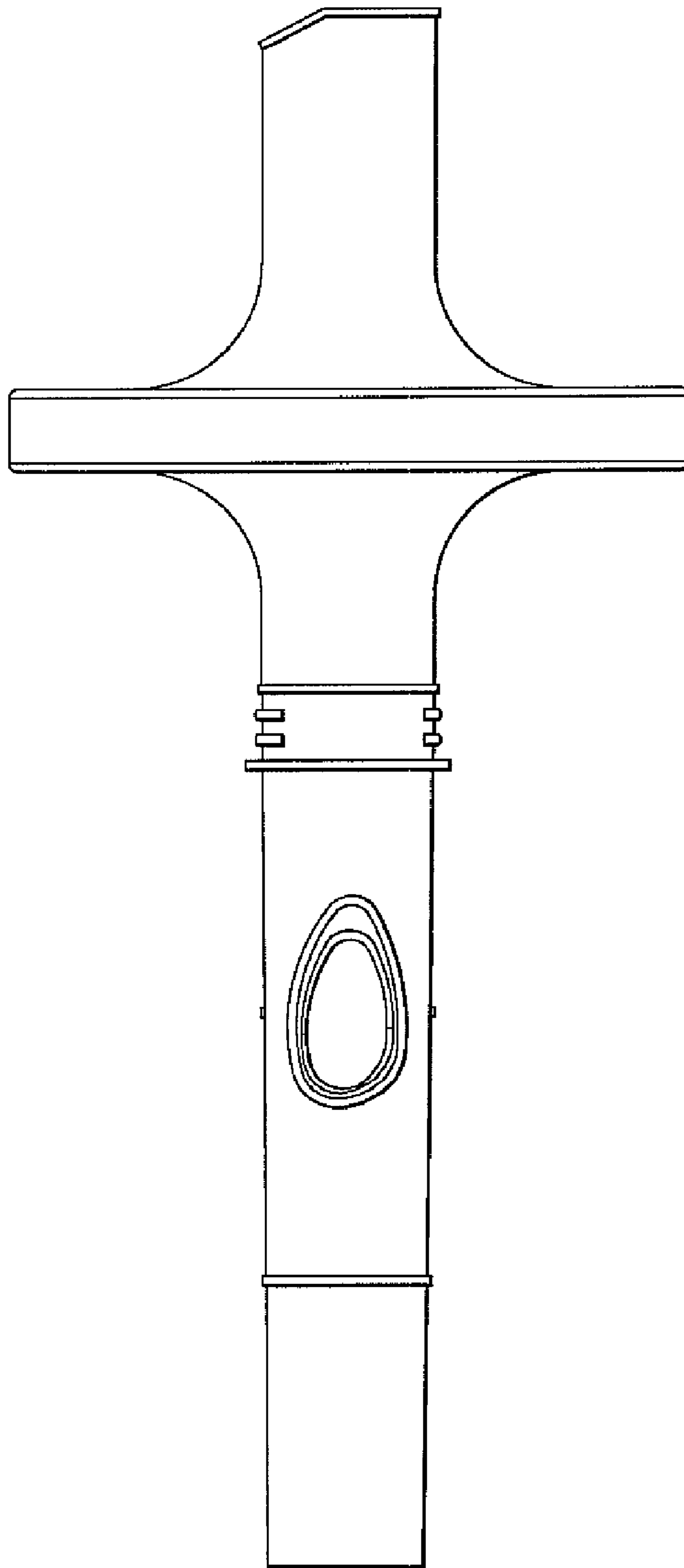


Fig. 2

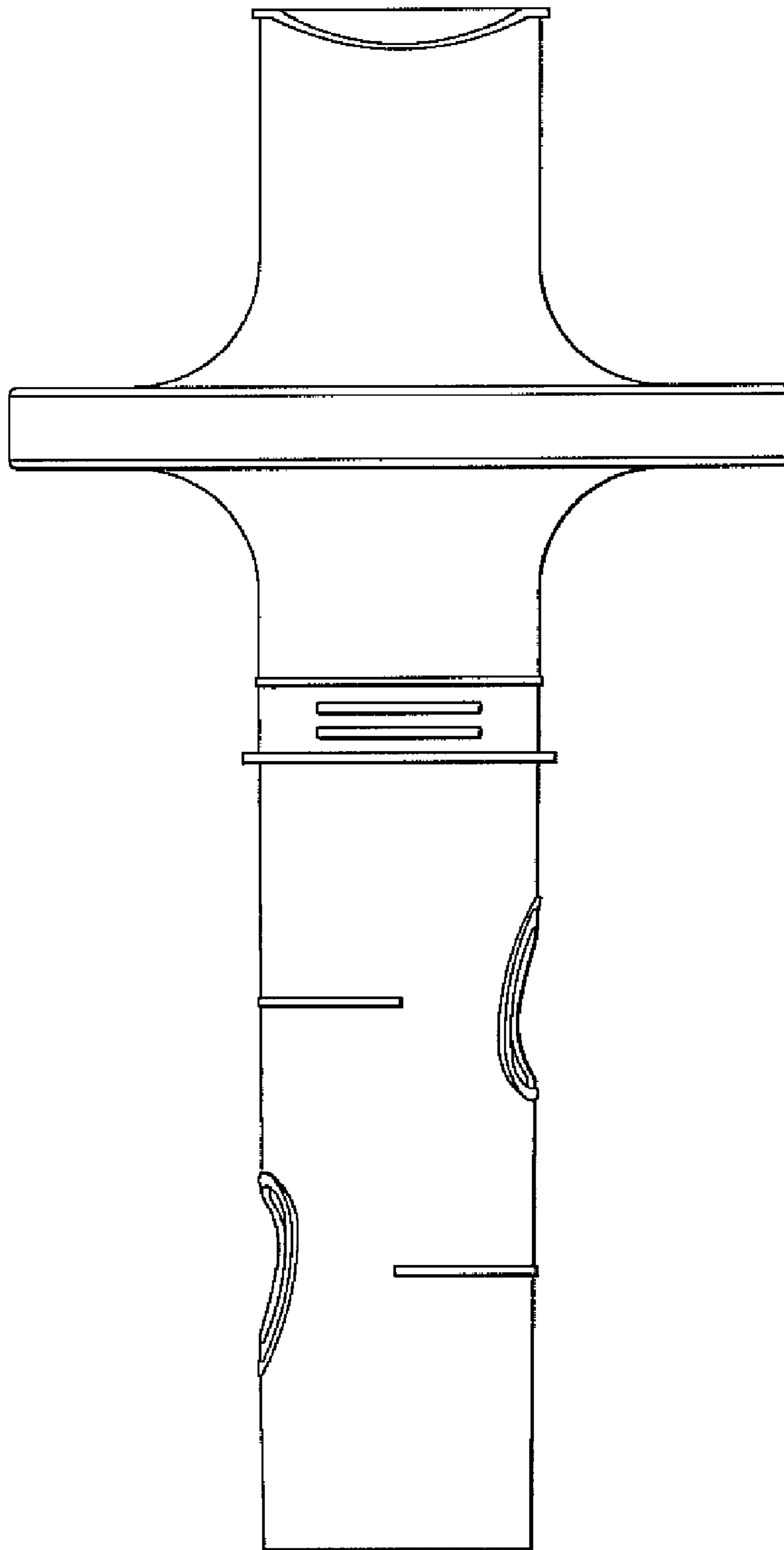


Fig. 3

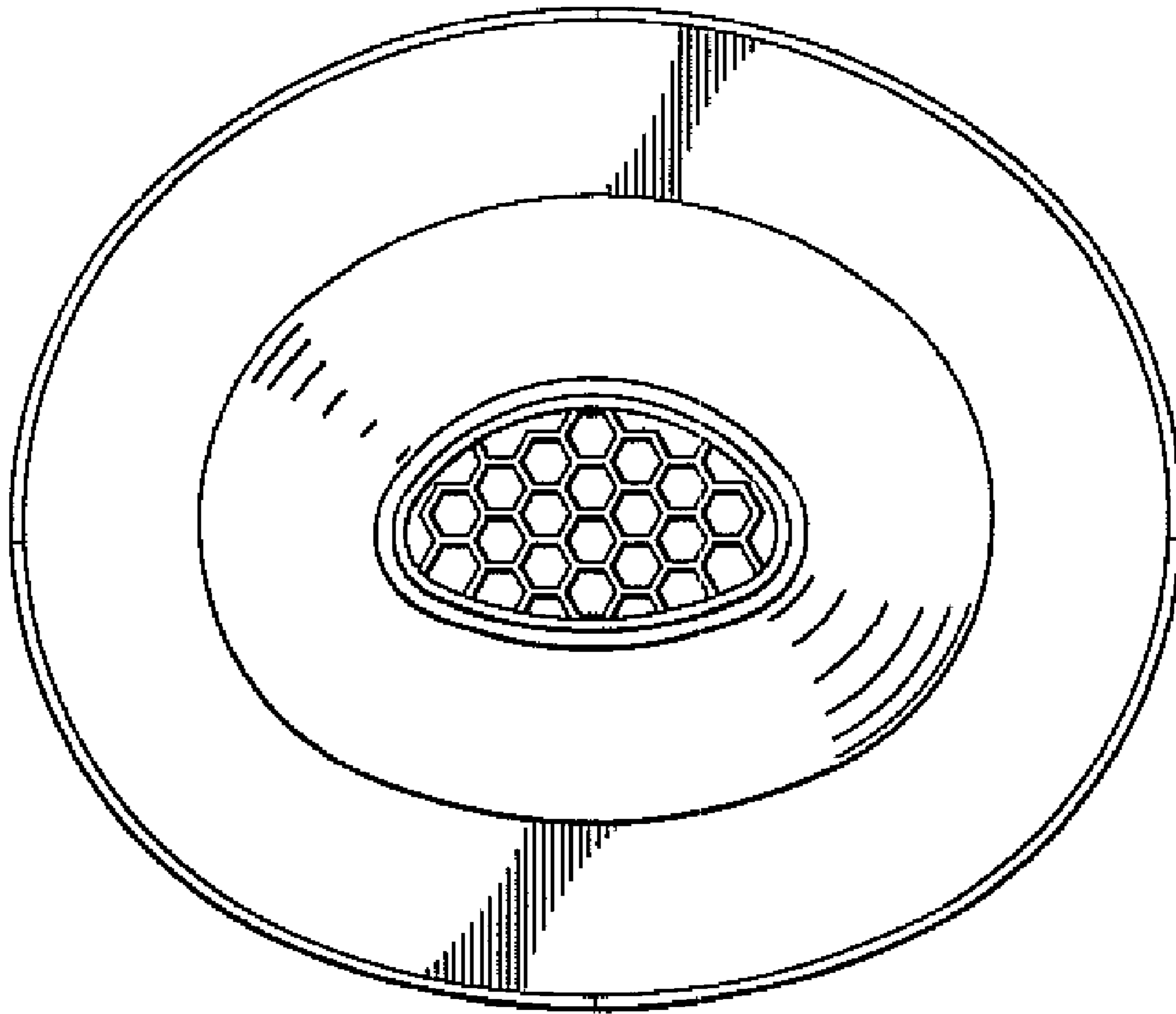


Fig. 4