



US00D583927S

(12) **United States Design Patent**  
**Benner**

(10) **Patent No.:** **US D583,927 S**

(45) **Date of Patent:** **\*\* Dec. 30, 2008**

(54) **EAR PLUG**

(75) Inventor: **Devin Benner**, Pleasant Ridge, MI (US)

(73) Assignee: **McKeon Products, Inc.**, Warren, MI (US)

(\*\*) Term: **14 Years**

(21) Appl. No.: **29/295,928**

(22) Filed: **Oct. 10, 2007**

**Related U.S. Application Data**

(63) Continuation-in-part of application No. 29/270,085, filed on Dec. 14, 2006.

(51) **LOC (8) Cl.** ..... **24-04**

(52) **U.S. Cl.** ..... **D24/106**

(58) **Field of Classification Search** ..... D24/106,  
D24/134, 173, 174; 128/864, 866; 181/129,  
181/130, 135; 381/224, 317, 330; D14/205,  
D14/206; D29/112

See application file for complete search history.

(56) **References Cited**

**U.S. PATENT DOCUMENTS**

2,672,863 A \* 3/1954 Leight ..... 128/867

D236,162 S \* 7/1975 Leight ..... D24/106  
4,564,009 A \* 1/1986 Brinkhoff ..... 128/864  
5,452,731 A \* 9/1995 Dickman ..... 128/864  
D418,650 S \* 1/2000 Neuhaus ..... D34/1  
D423,664 S \* 4/2000 Falco ..... D24/106  
D435,626 S \* 12/2000 Benini ..... D22/116  
D449,592 S \* 10/2001 Koss et al. .... D14/223  
D541,412 S \* 4/2007 Benner ..... D24/106

\* cited by examiner

*Primary Examiner*—Adir Aronovich  
*Assistant Examiner*—Anna J Burmeister  
(74) *Attorney, Agent, or Firm*—Butzel Long

(57) **CLAIM**

The ornamental design for an ear plug, as shown and described.

**DESCRIPTION**

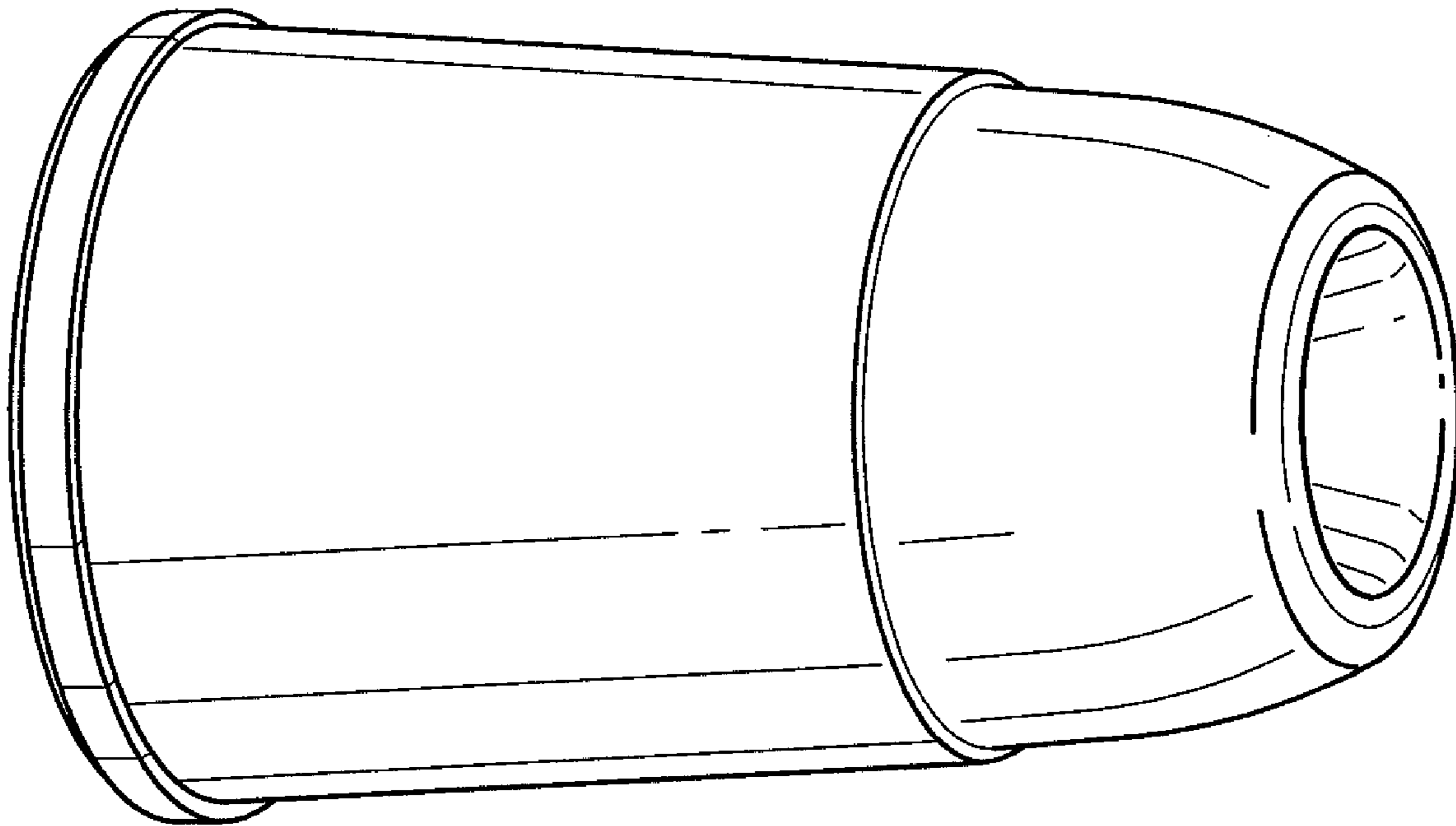
FIG. 1 is a front perspective view of an ear plug of the present invention;

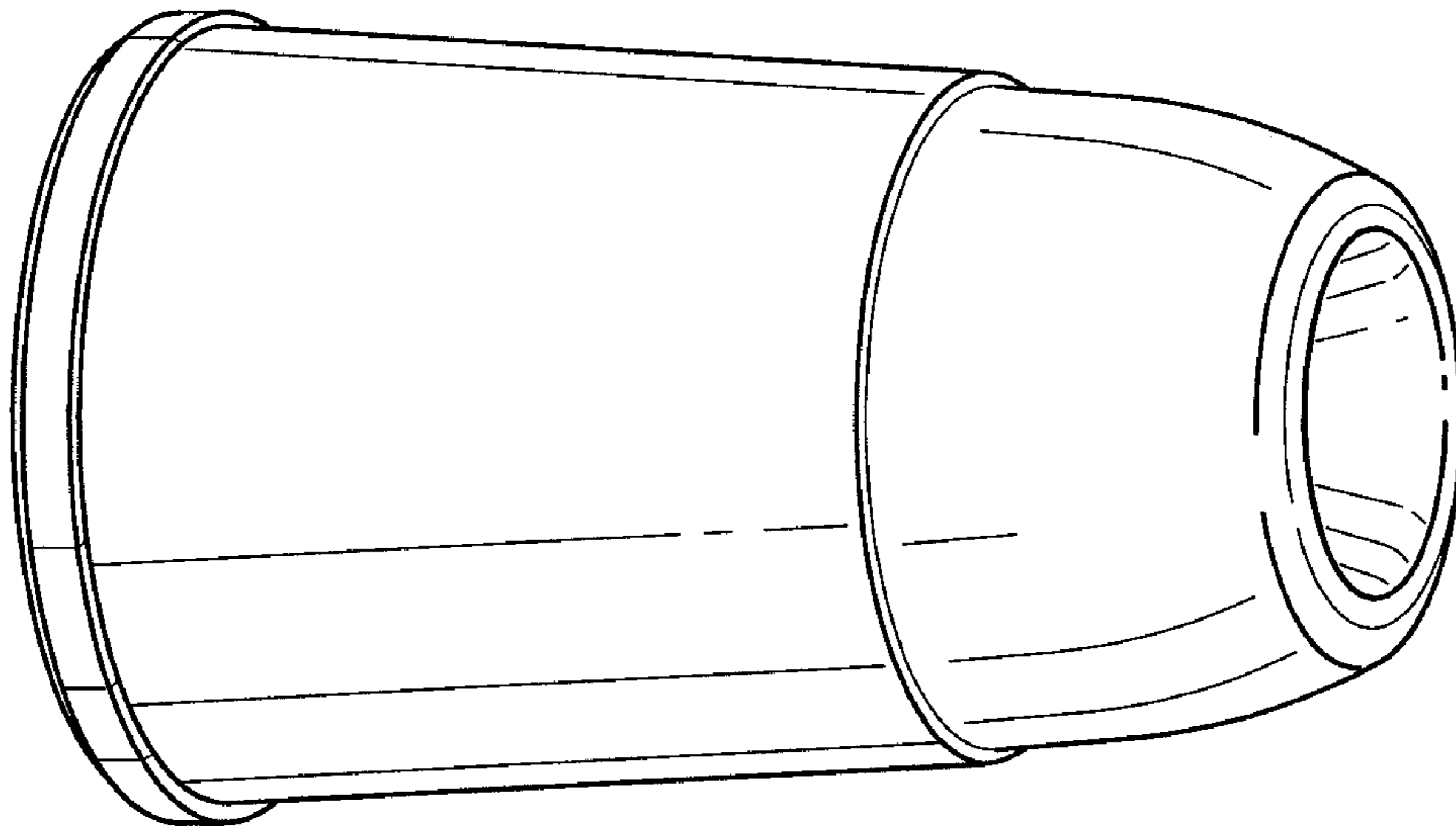
FIG. 2 is top plan view thereof;

FIG. 3 is a side elevational view thereof; and,

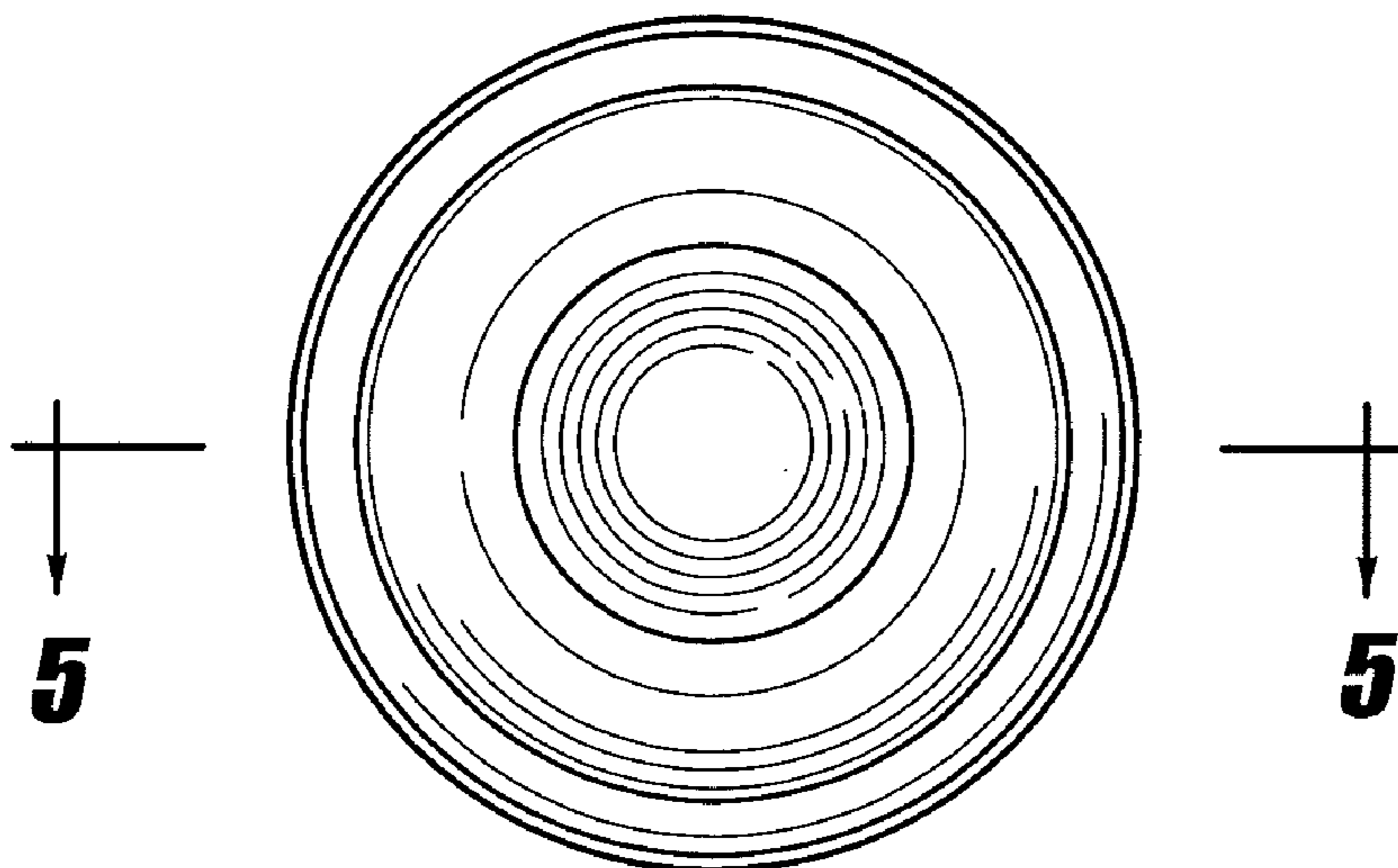
FIG. 4 is a bottom plan view thereof.

**1 Claim, 2 Drawing Sheets**

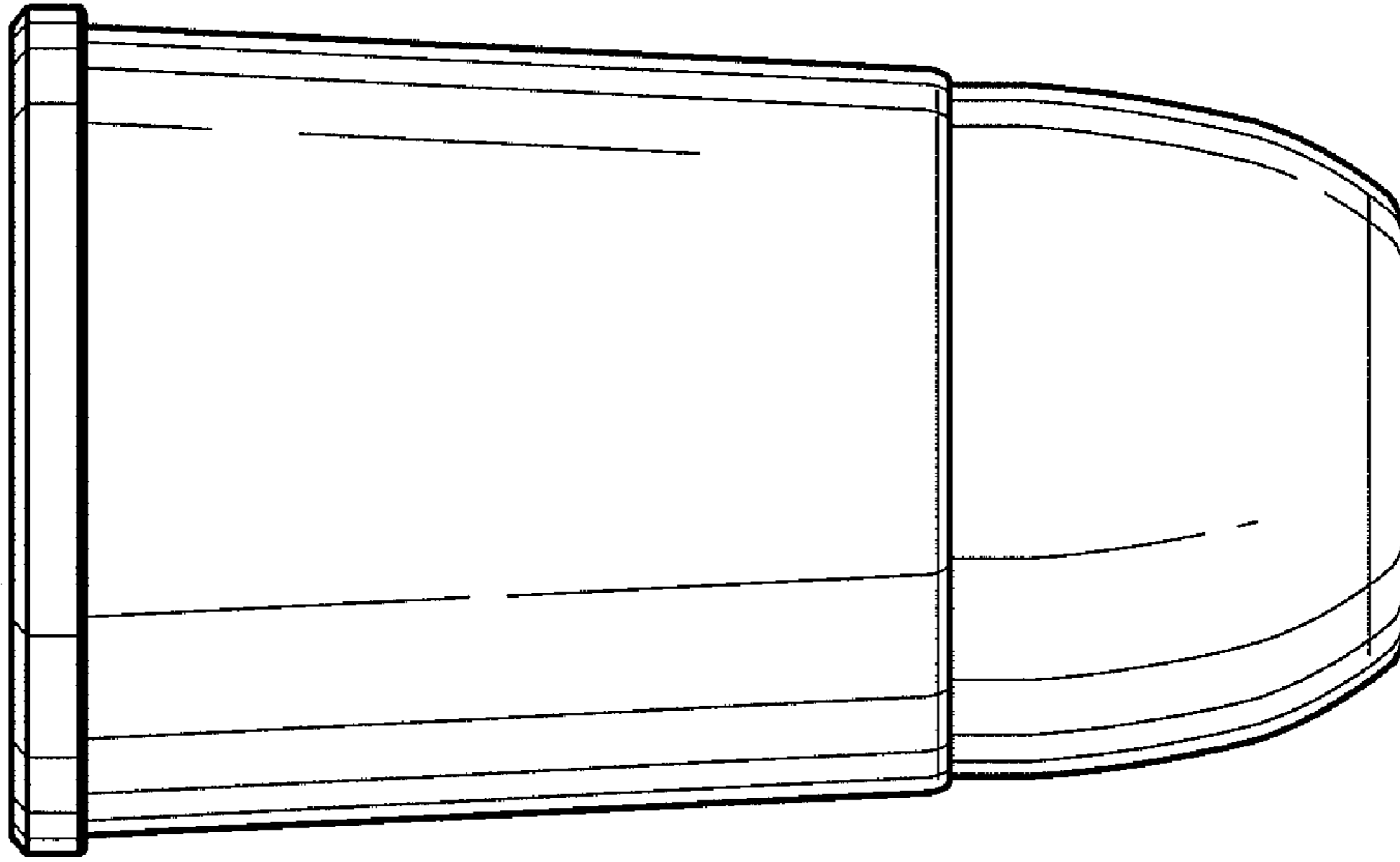




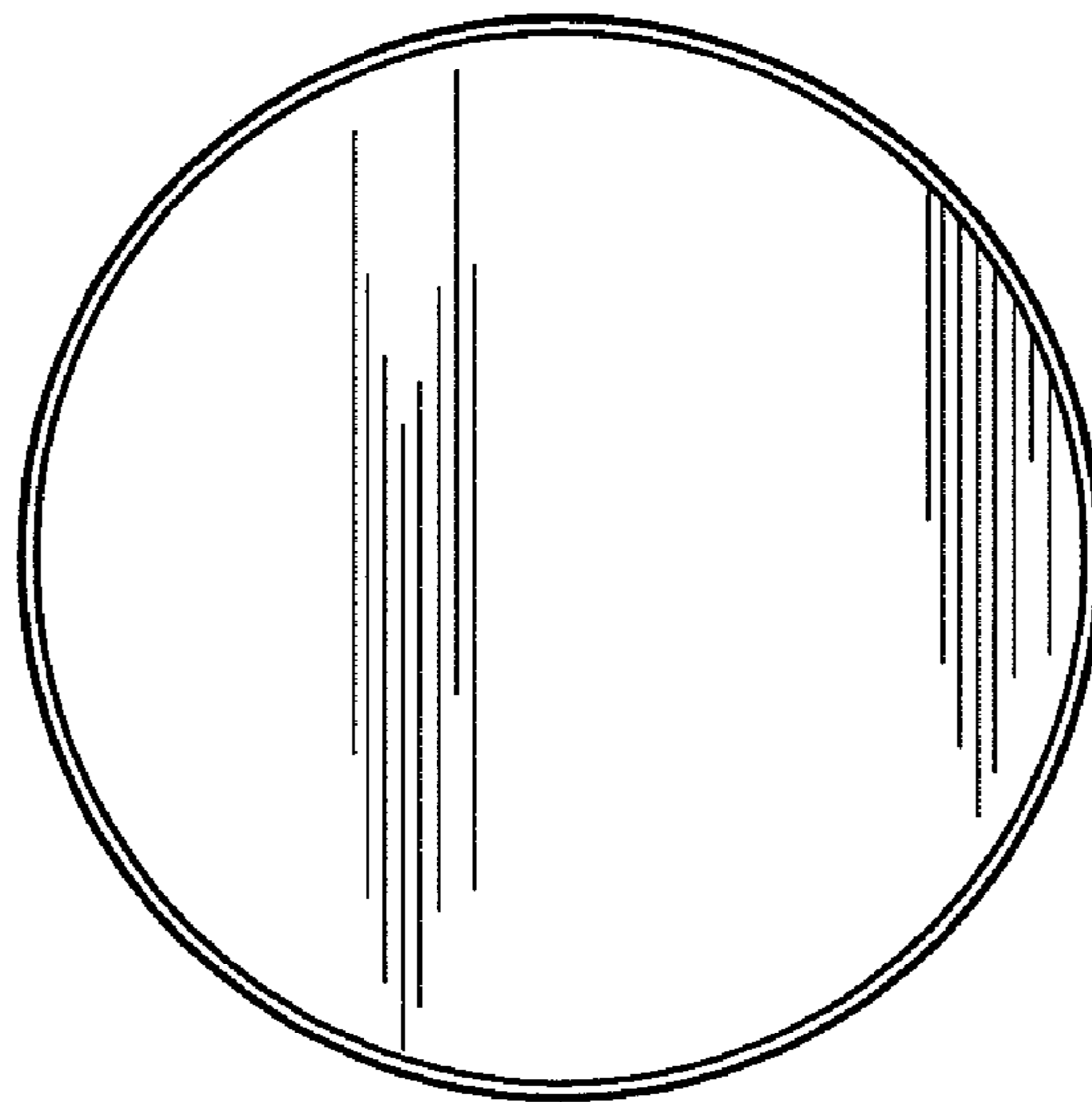
**FIG - 1**



**FIG - 2**



**FIG - 3**



**FIG - 4**