



US00D583924S

(12) **United States Design Patent**
Bucher et al.

(10) **Patent No.:** **US D583,924 S**
(45) **Date of Patent:** **** Dec. 30, 2008**

(54) **TOWER FAN WITH AN UPPER HOLDER**

(75) Inventors: **John C. Bucher**, Hillsboro Bch, FL (US); **Chad Ricker**, North Lauderdale, FL (US)

(73) Assignee: **King Of Fans, Inc.**, Ft. Lauderdale, FL (US)

(**) Term: **14 Years**

(21) Appl. No.: **29/262,386**

(22) Filed: **Jun. 30, 2006**

(51) **LOC (8) Cl.** **23-04**

(52) **U.S. Cl.** **D23/378**

(58) **Field of Classification Search** D23/378,
D23/332, 381, 335, 337, 336, 370, 382; 416/246,
416/247 R; D9/715, 428

See application file for complete search history.

(56) **References Cited**

U.S. PATENT DOCUMENTS

D322,669 S	12/1991	Yamamoto et al.	D23/378
D329,284 S	9/1992	Patton	D23/378
D423,093 S	4/2000	Fok	D23/378
D459,467 S	6/2002	Wilson, Jr.	D23/412
D464,723 S *	10/2002	Fok	D23/378
D479,593 S *	9/2003	Fok	D23/378
D479,874 S	9/2003	Shapiro	D23/378
D482,778 S	11/2003	Shapiro	D23/412
D483,466 S	12/2003	Shapiro	D23/378
D484,234 S	12/2003	Wilson, Jr.	D23/412
D486,216 S	2/2004	Wilson, Jr.	D23/378
D486,217 S	2/2004	Shapiro	D23/378
D486,218 S	2/2004	Shapiro	D23/381
D486,222 S	2/2004	Shapiro	D23/411
D488,551 S	4/2004	Shapiro	D23/378
D522,124 S *	5/2006	Bucher et al.	D23/378
D545,674 S *	7/2007	Miselli et al.	D9/416

* cited by examiner

Primary Examiner—Lisa P Lichtenstein

(74) *Attorney, Agent, or Firm*—Brian S. Steinberger; Law Offices of Brian S. Steinberger, P.A.

(57) **CLAIM**

The ornamental design for a tower fan with an upper holder, as shown and described.

DESCRIPTION

FIG. 1 is a left front side perspective view of a tower fan with an upper holder.

FIG. 2 is a right front perspective view of the novel floor fan tower design of FIG. 1.

FIG. 3 is a left rear perspective view of the novel floor fan tower design of FIG. 1.

FIG. 4 is a right rear perspective view of the novel floor fan tower design of FIG. 1.

FIG. 5 is a front view of the novel floor fan tower design of FIG. 1.

FIG. 6 is a right side view of the novel floor fan tower design of FIG. 1.

FIG. 7 is a left side view of the novel floor fan tower design of FIG. 1.

FIG. 8 is a rear view of the novel floor fan tower design of FIG. 1.

FIG. 9 is an enlarged upper front right view of the novel floor fan tower design of FIG. 1.

FIG. 10 is an enlarged upper front view of the novel floor fan tower design of FIG. 1.

FIG. 11 is an enlarged fragmentary top view of the novel floor fan tower design of FIG. 1; and,

FIG. 12 is an enlarged fragmentary bottom view of the novel floor fan tower design of FIG. 1.

The broken line showing of the side seams, the bottom the stand and the flower vase with flowers is included for the purpose of illustrating environmental structure and forms no part of the claimed design.

1 Claim, 11 Drawing Sheets

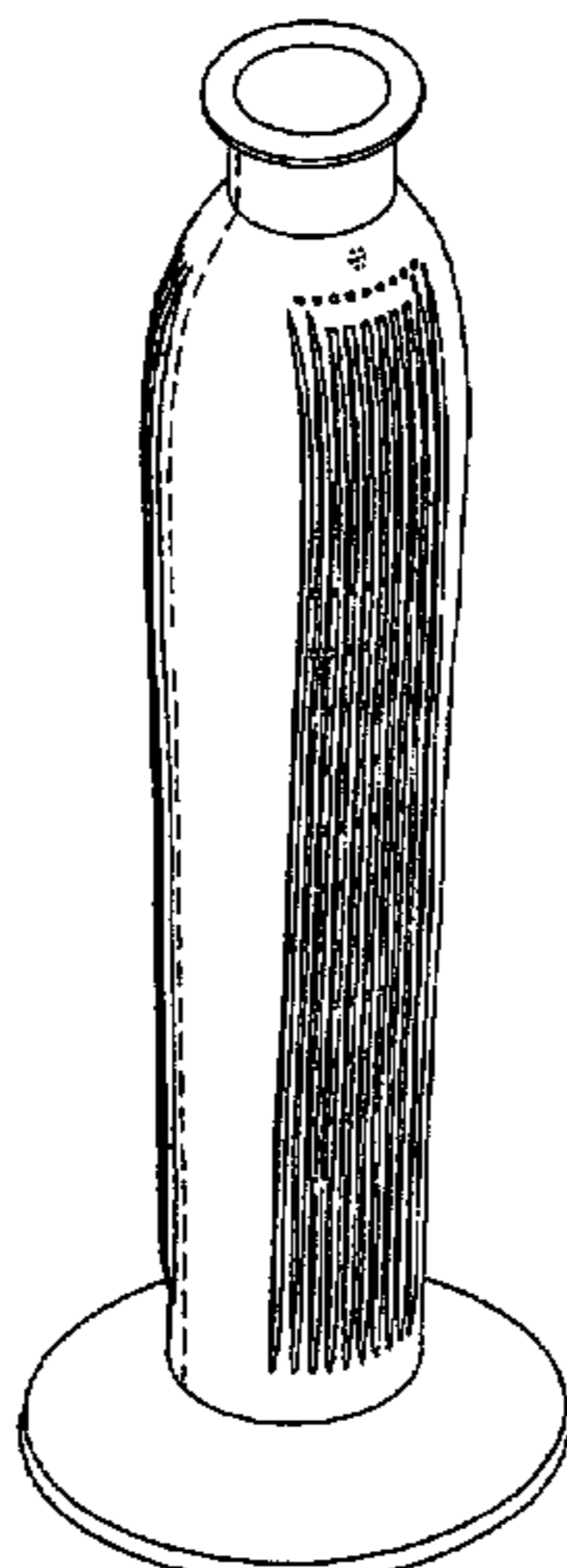


FIG. 1

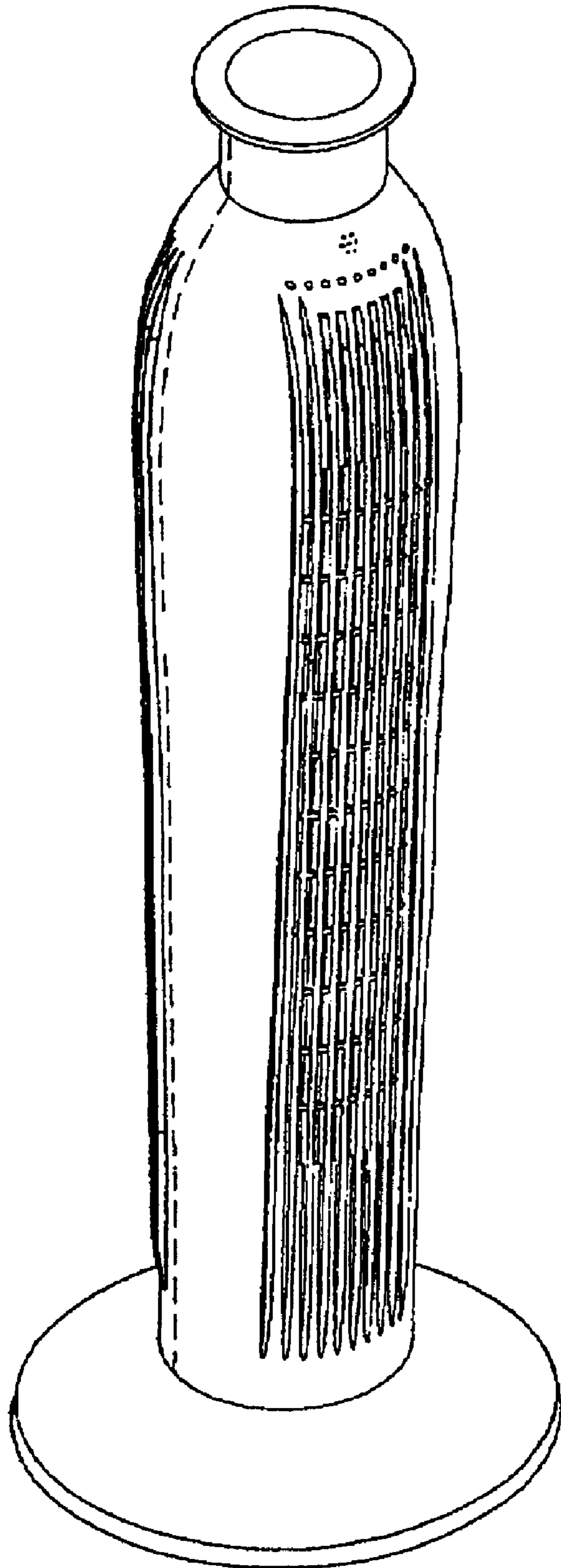


FIG. 2

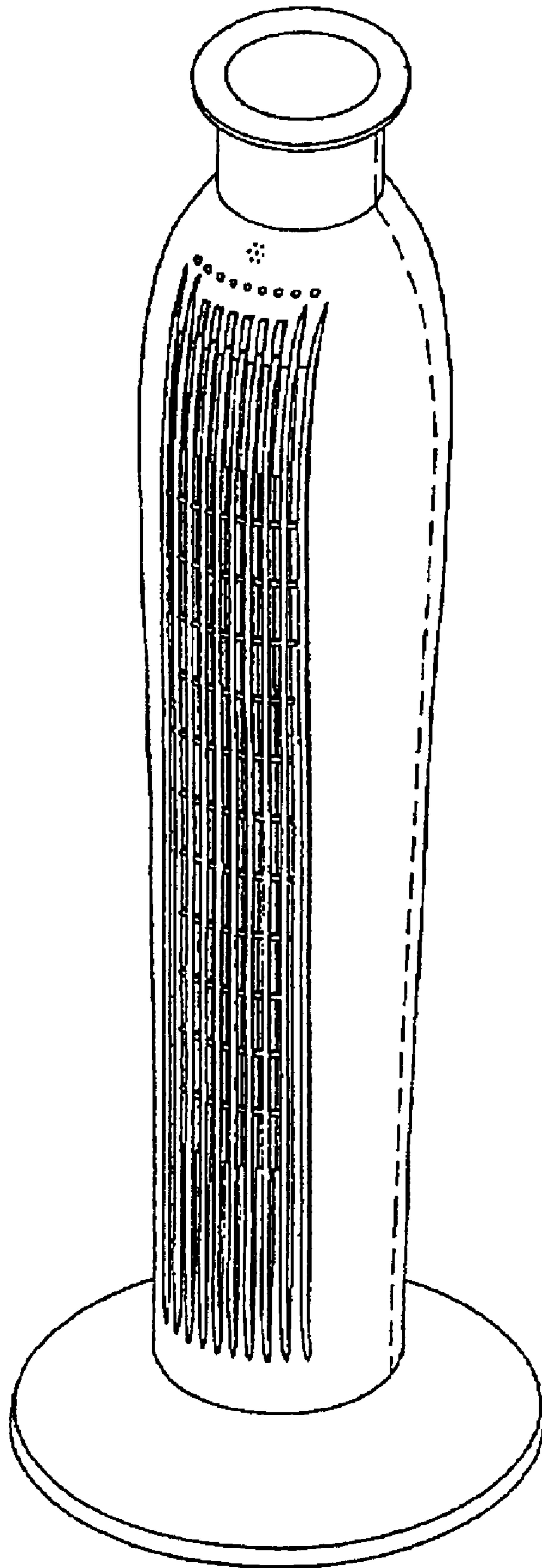


FIG. 3

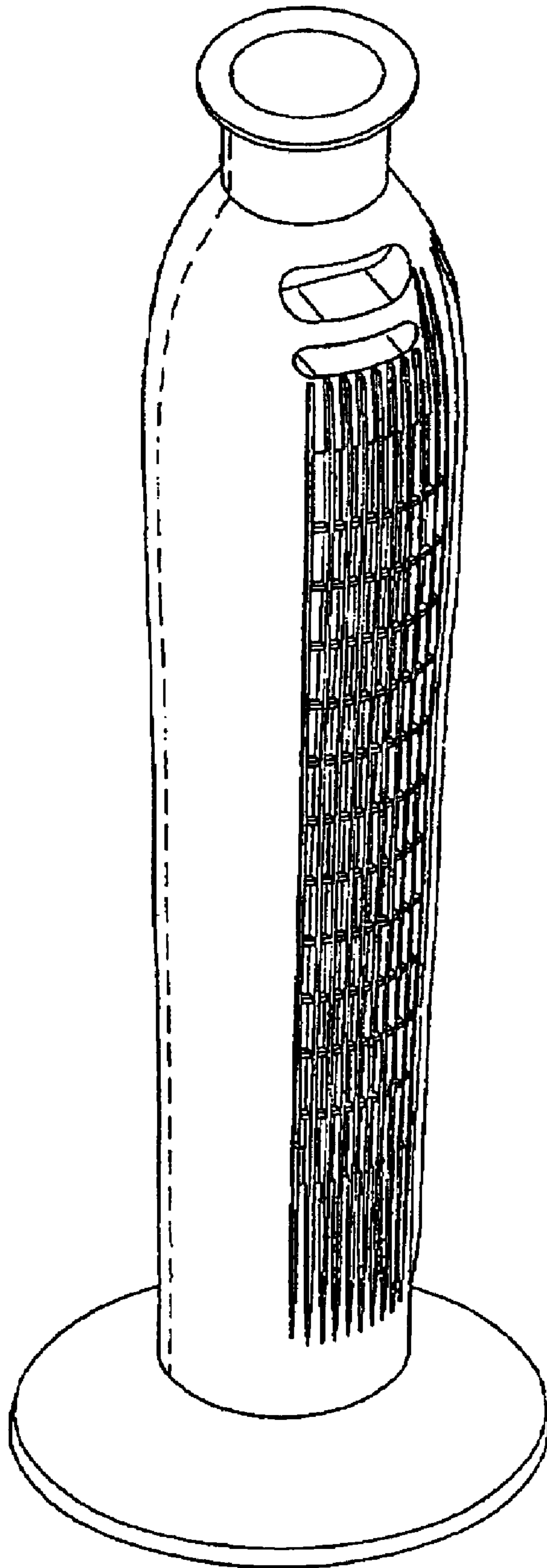


FIG. 4

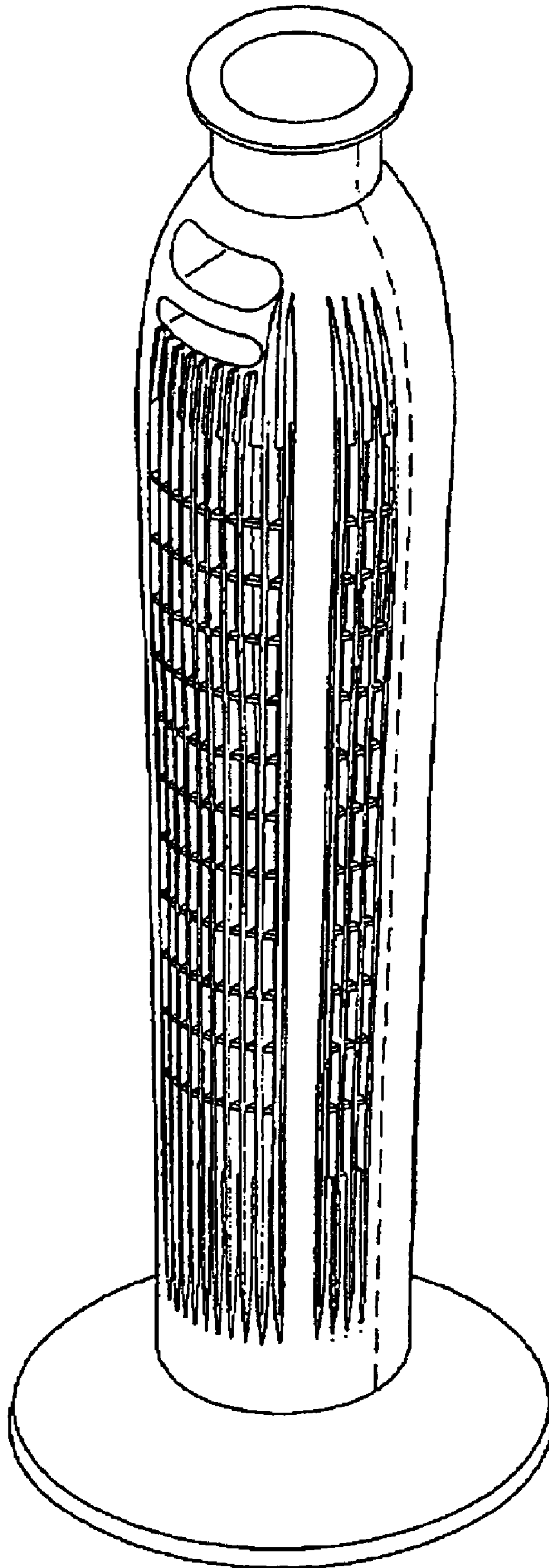


FIG. 5

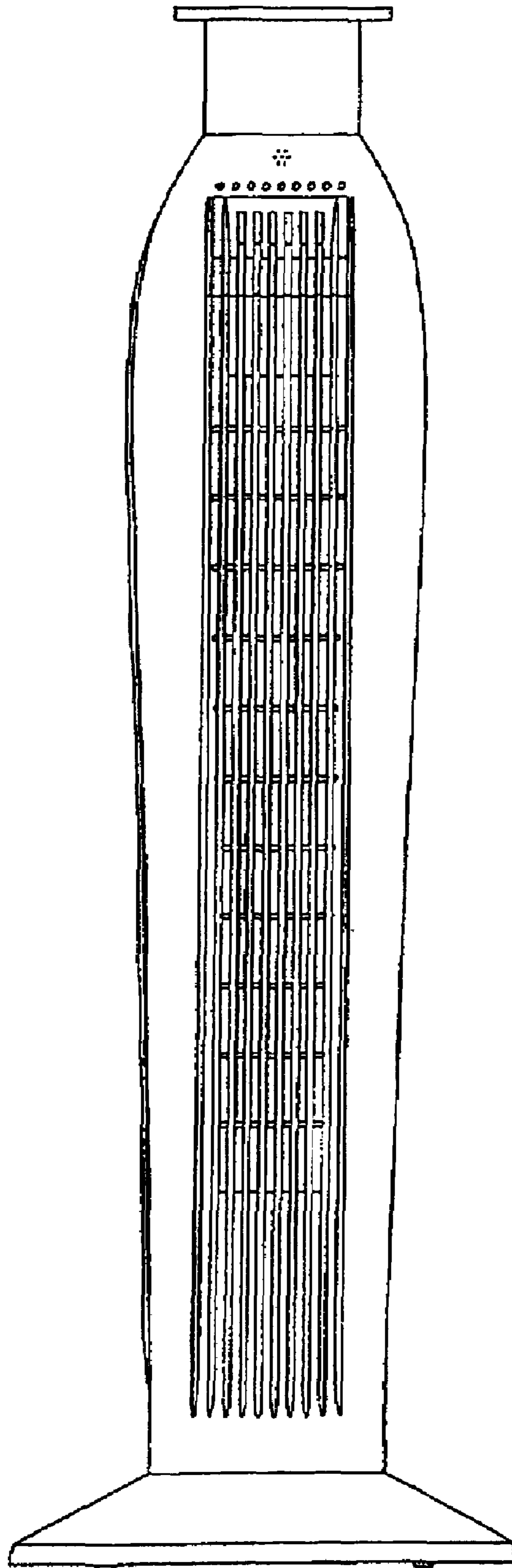


FIG. 6

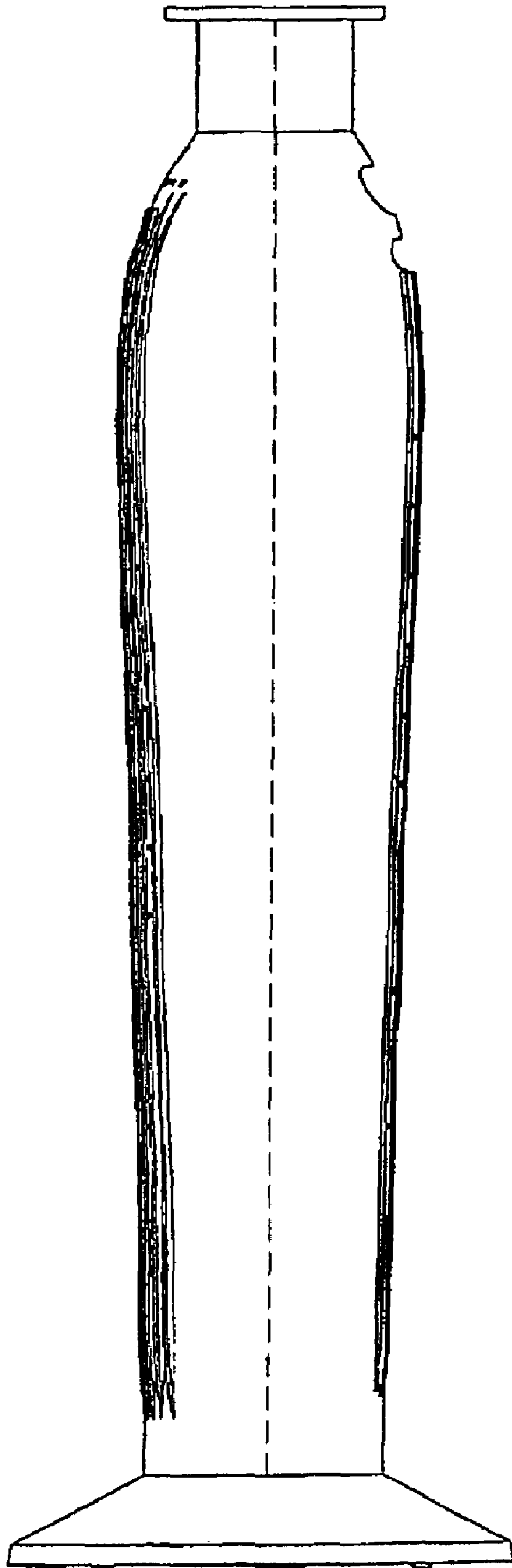


FIG. 7

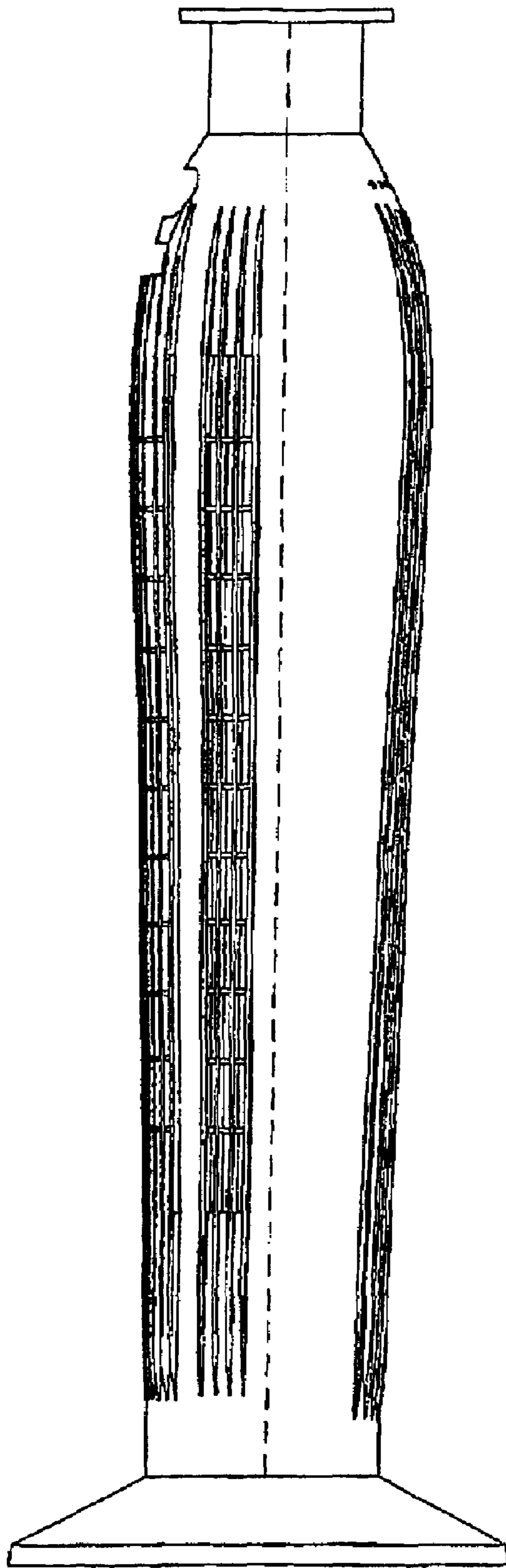


FIG. 8

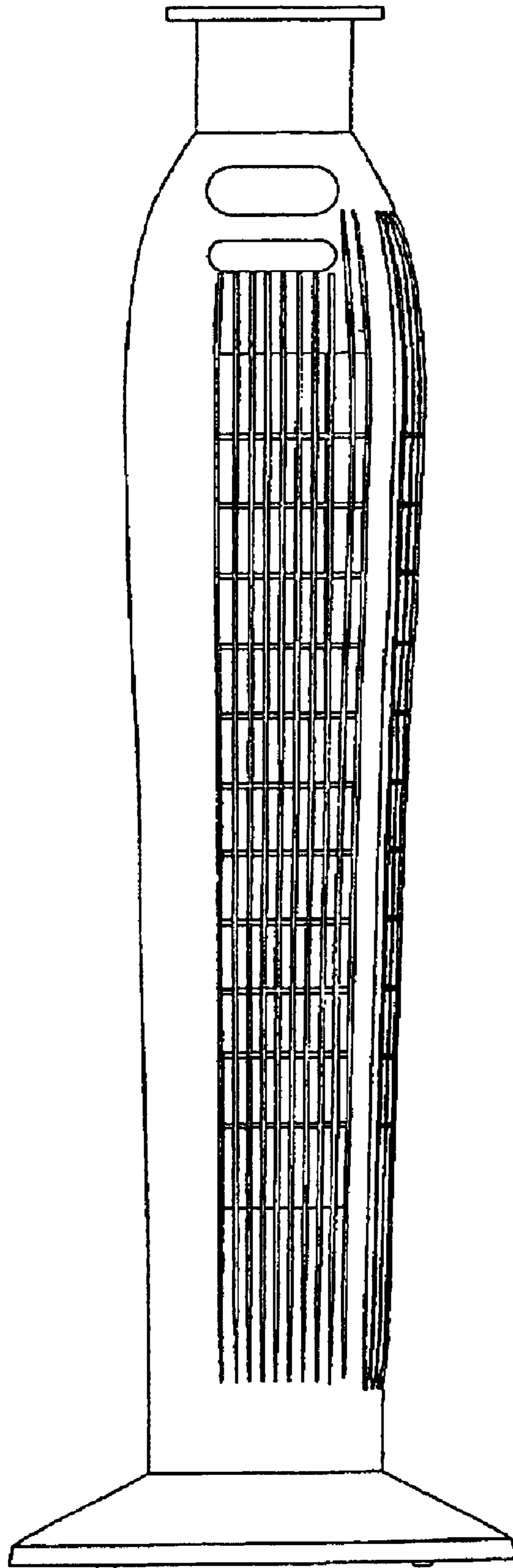


FIG. 9

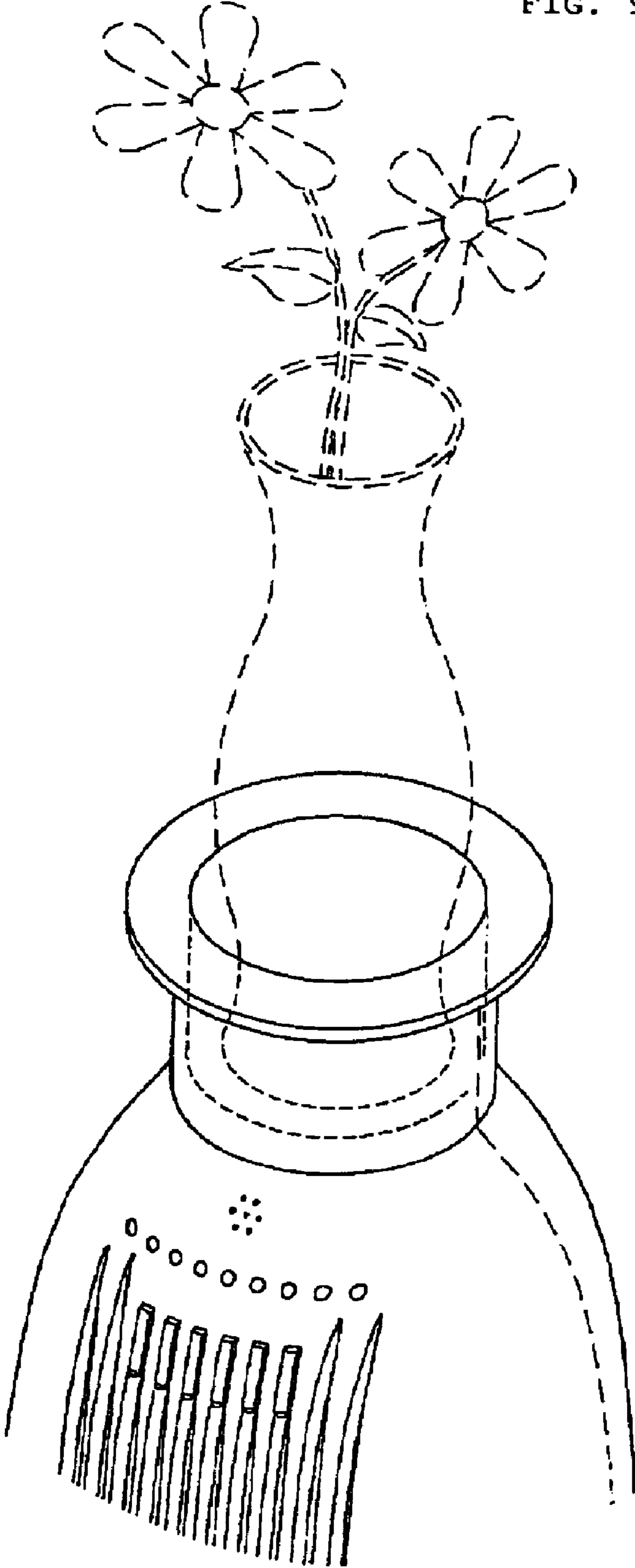


FIG. 10

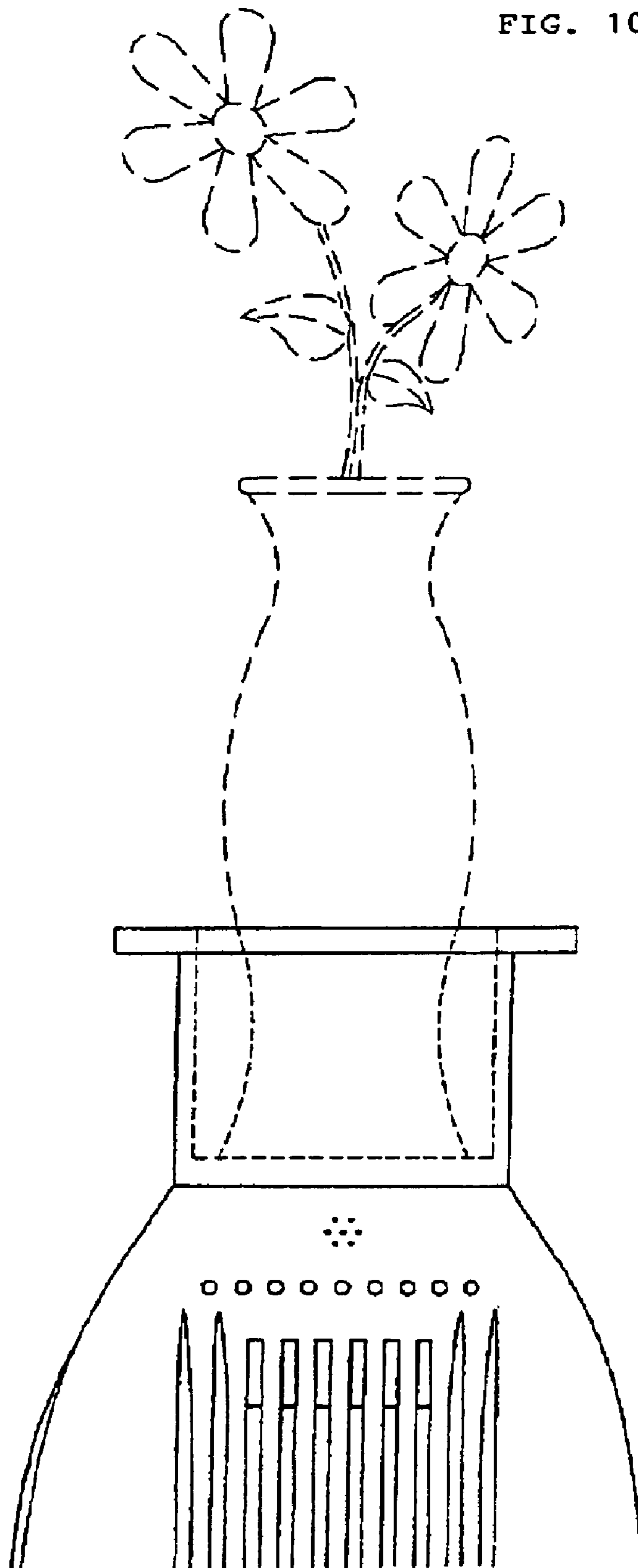


FIG. 11

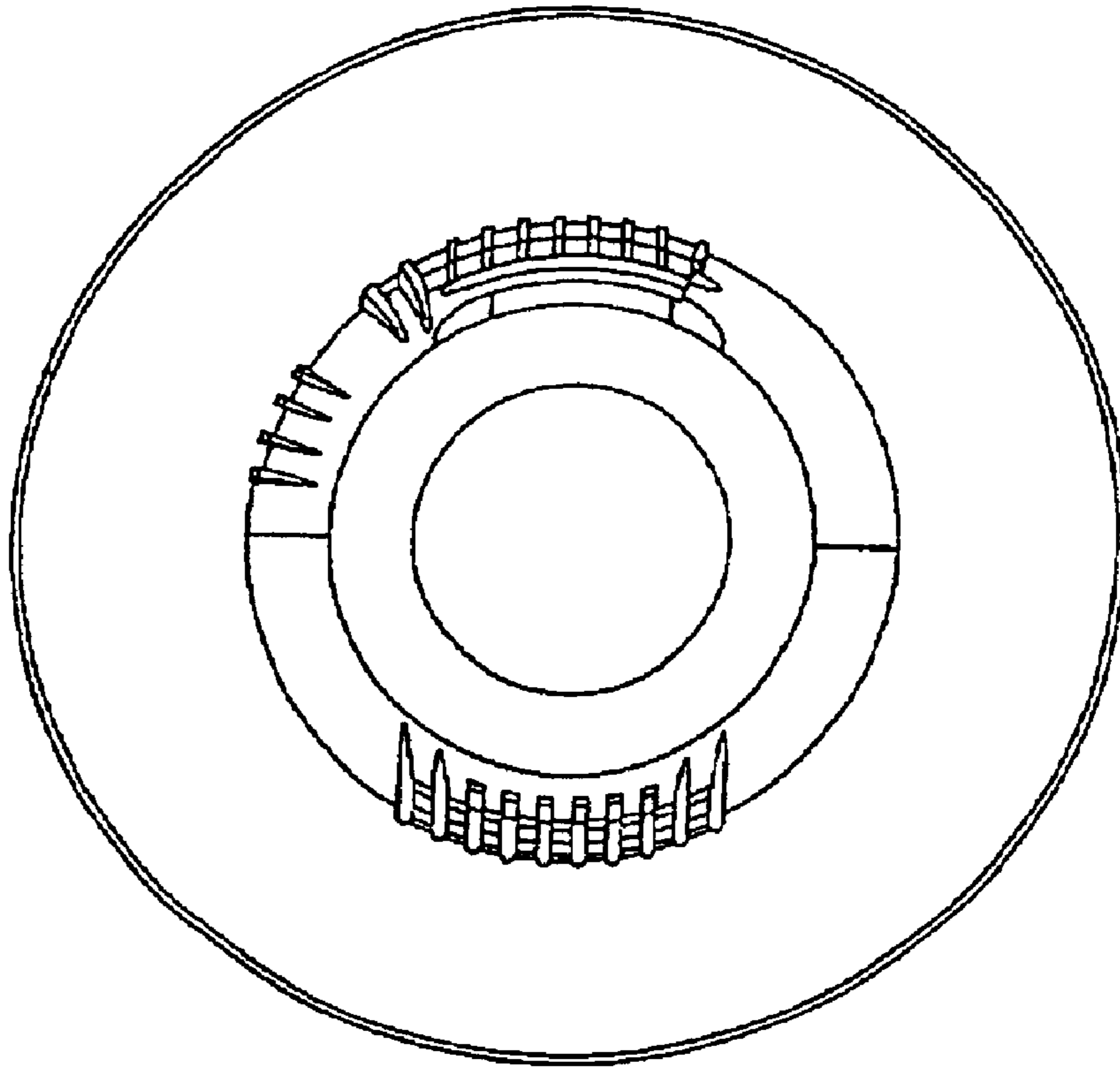


FIG. 12

