



US00D583923S

(12) **United States Design Patent**  
**Bucher et al.**

(10) **Patent No.:** **US D583,923 S**

(45) **Date of Patent:** **\*\* Dec. 30, 2008**

(54) **CEILING FAN**

(75) Inventors: **John C. Bucher**, Hillsboro Beach, FL  
(US); **Tien S. Lowe**, Pembroke Pines, FL  
(US); **Scott Searle**, Wan Chai (HK)

(73) Assignee: **Chien Luen Industries Co., Ltd., Inc.**,  
Fort Lauderdale, FL (US)

(\*\*) Term: **14 Years**

(21) Appl. No.: **29/308,527**

(22) Filed: **Jun. 20, 2008**

D422,072 S	3/2000	Blateri	.....	D23/377
D443,352 S	6/2001	Lantz	.....	D23/413
D448,840 S	10/2001	Gajewski		
D451,997 S	12/2001	Schwartz	.....	D23/413
D454,636 S	3/2002	Lantz	.....	D23/413
D469,950 S	2/2003	Scalise et al.	.....	D3/3
D480,471 S	10/2003	Hsieh	.....	D23/411
D484,233 S	12/2003	Bucher et al.	.....	D23/377
D485,345 S	1/2004	Bucher	.....	D23/377
D485,346 S	1/2004	Bucher et al.	.....	D23/377
D485,347 S	1/2004	Bucher et al.	.....	D23/377
D553,731 S	10/2007	Bucher et al.		
D566,258 S	* 4/2008	Bucher et al.	.....	D23/377
D574,985 S	* 8/2008	Bucher et al.	.....	D26/59

\* cited by examiner

**Related U.S. Application Data**

(62) Division of application No. 29/265,576, filed on Sep. 1, 2006, now Pat. No. Des. 574,985, which is a division of application No. 29/224,962, filed on Mar. 9, 2005, now Pat. No. Des. 566,258.

*Primary Examiner*—Lisa P Lichtenstein

(74) *Attorney, Agent, or Firm*—Brian S. Steinberger; Law Offices of Brian S. Steinberger, P.A.

(51) **LOC (8) Cl.** ..... **23-04**

(52) **U.S. Cl.** ..... **D23/377**

(58) **Field of Classification Search** ..... D23/377,  
D23/379, 385, 411, 413; 416/5

See application file for complete search history.

(57) **CLAIM**

The ornamental design for a ceiling fan, as shown and described.

**DESCRIPTION**

FIG. 1 is lower front side perspective view of a design of the novel ceiling fan without the alabaster glass shade light shade.

FIG. 2 is a upper front side perspective view of FIG. 1.

FIG. 3 is a front side view of FIG. 1.

FIG. 4 is a bottom view of FIG. 1; and,

FIG. 5 is a top view of FIG. 1.

The broken line showing of the canopy and support rod is included for the purpose of illustrating environmental structure and forms no part of the claimed design.

(56) **References Cited**

**U.S. PATENT DOCUMENTS**

D364,224 S	11/1995	Wang	.....	D23/377
D367,321 S	2/1996	Holbrook		
D371,838 S	7/1996	Davis, Jr. et al.	.....	D23/411
D378,404 S	3/1997	Jaspers-Fayer	.....	D23/377
D402,026 S	12/1998	Chuang et al.	.....	D23/377
D408,518 S	4/1999	Liu	.....	D23/377
D412,571 S	8/1999	Lee	.....	D23/377
D414,856 S	10/1999	Zuege	.....	D23/377
D421,799 S	3/2000	Zuege	.....	D23/411

**1 Claim, 5 Drawing Sheets**

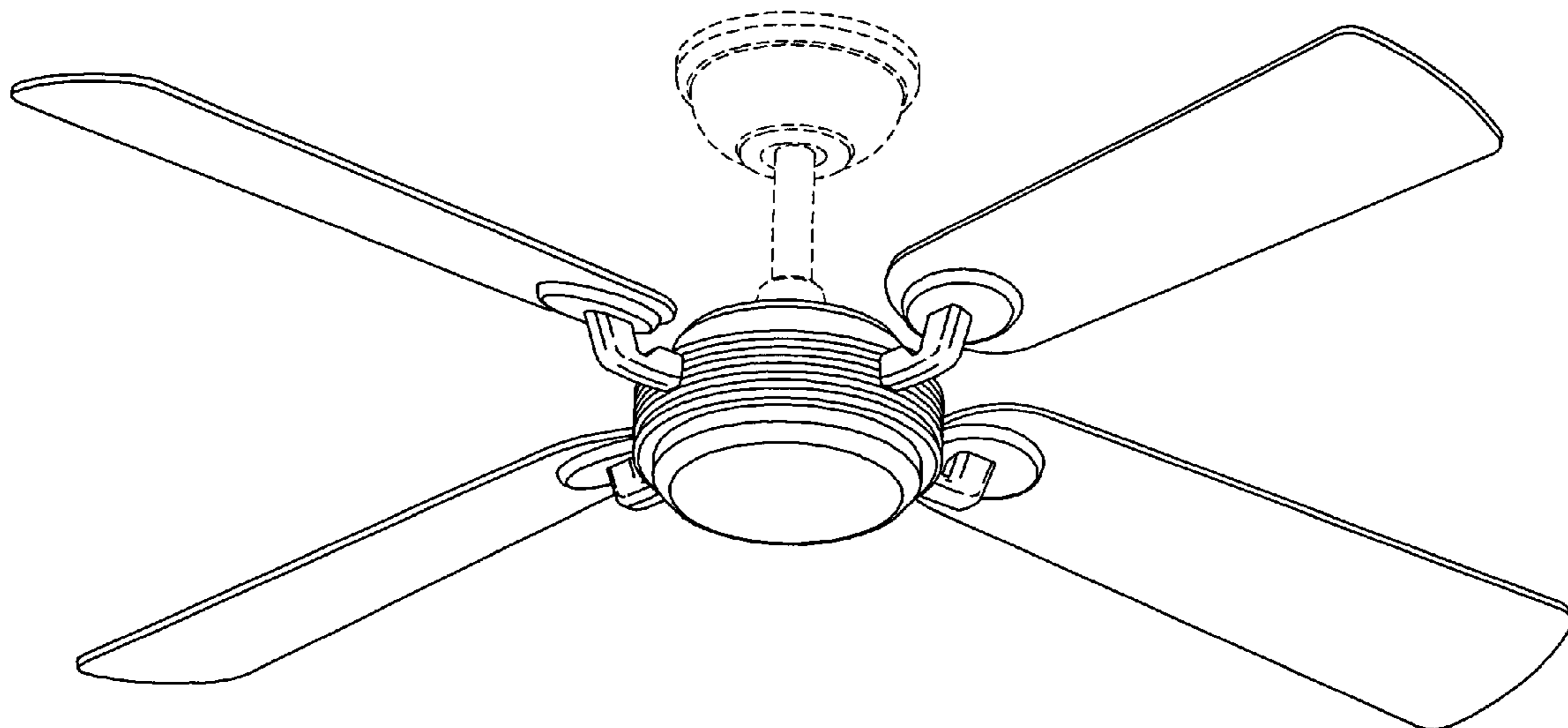


Fig. 1

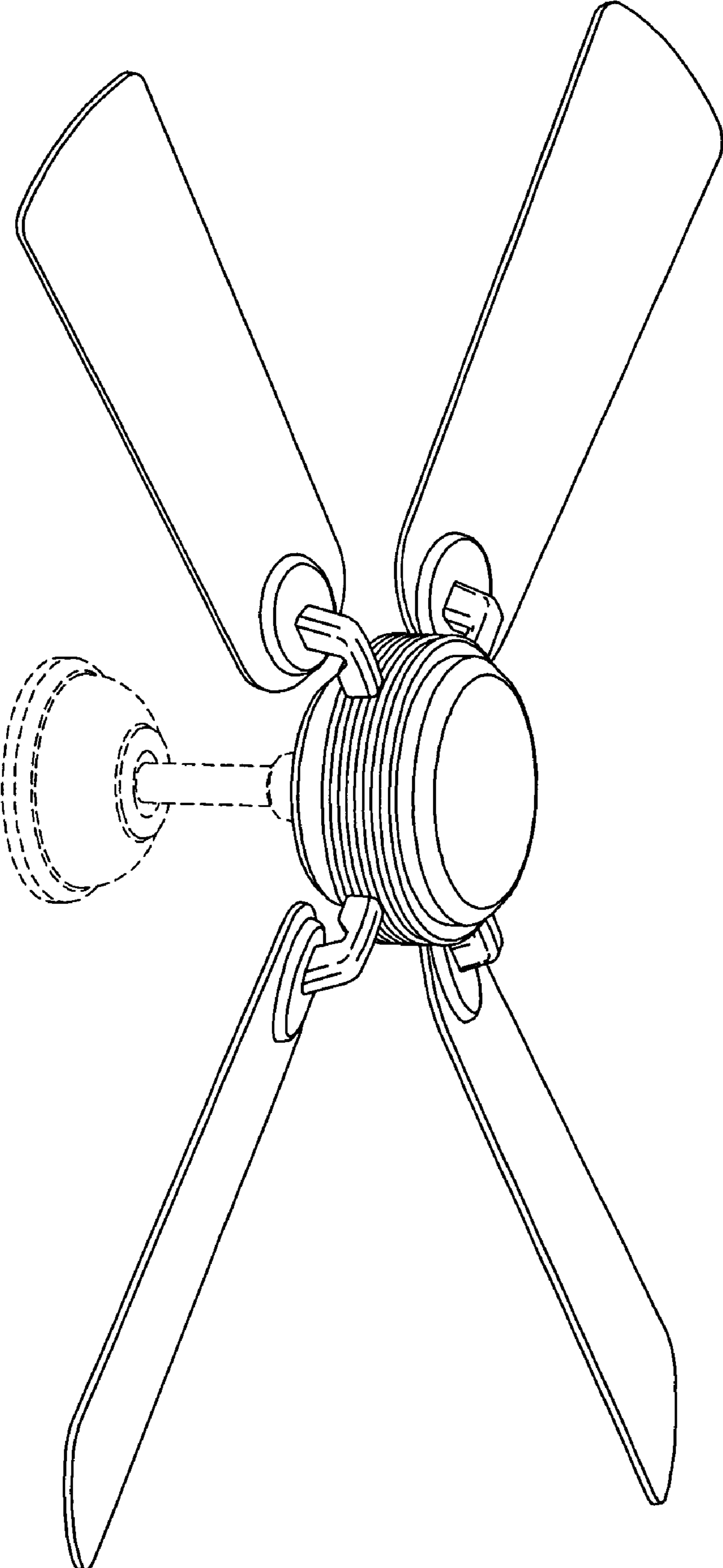


Fig.2

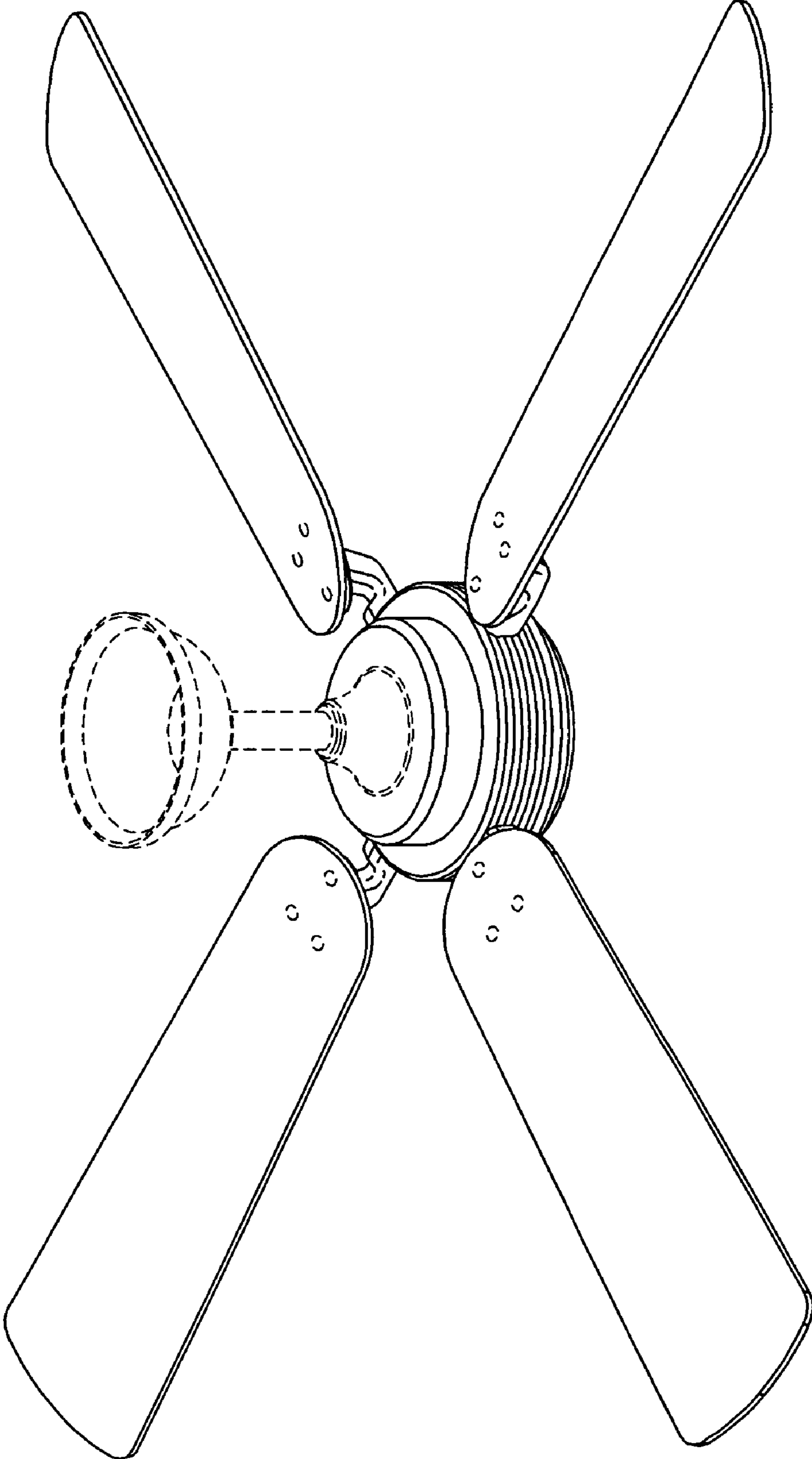
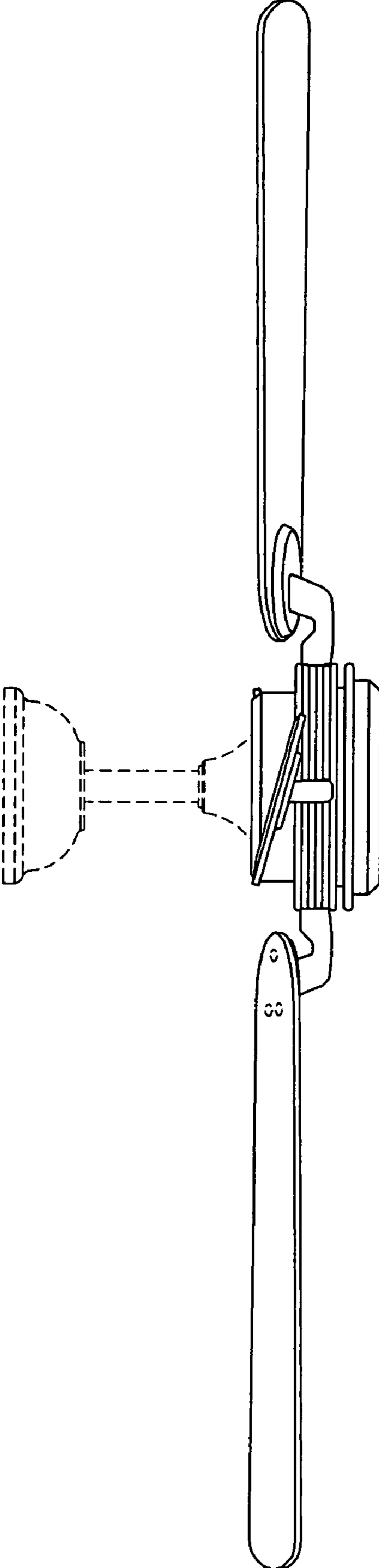


Fig.3



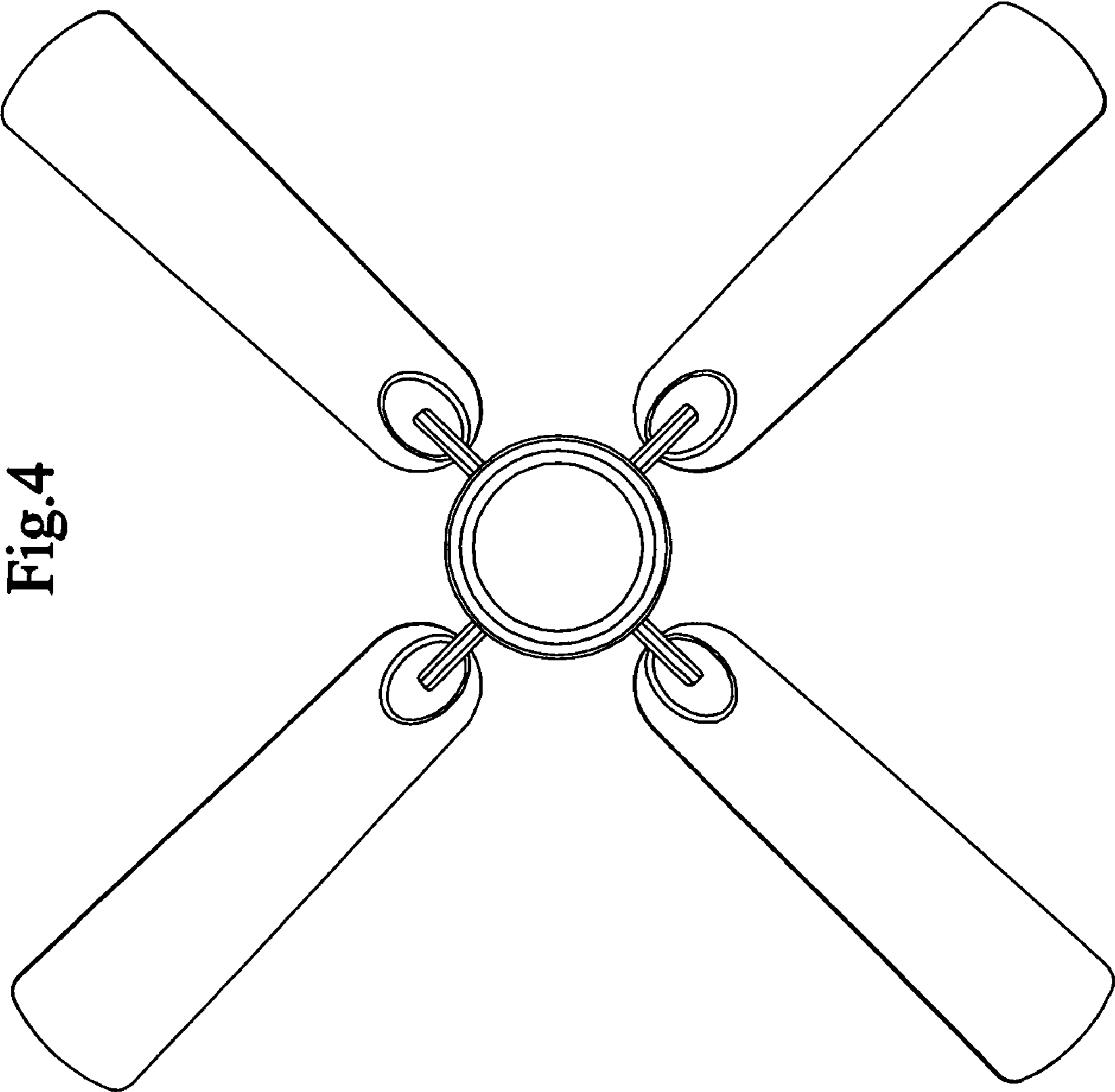


Fig.4

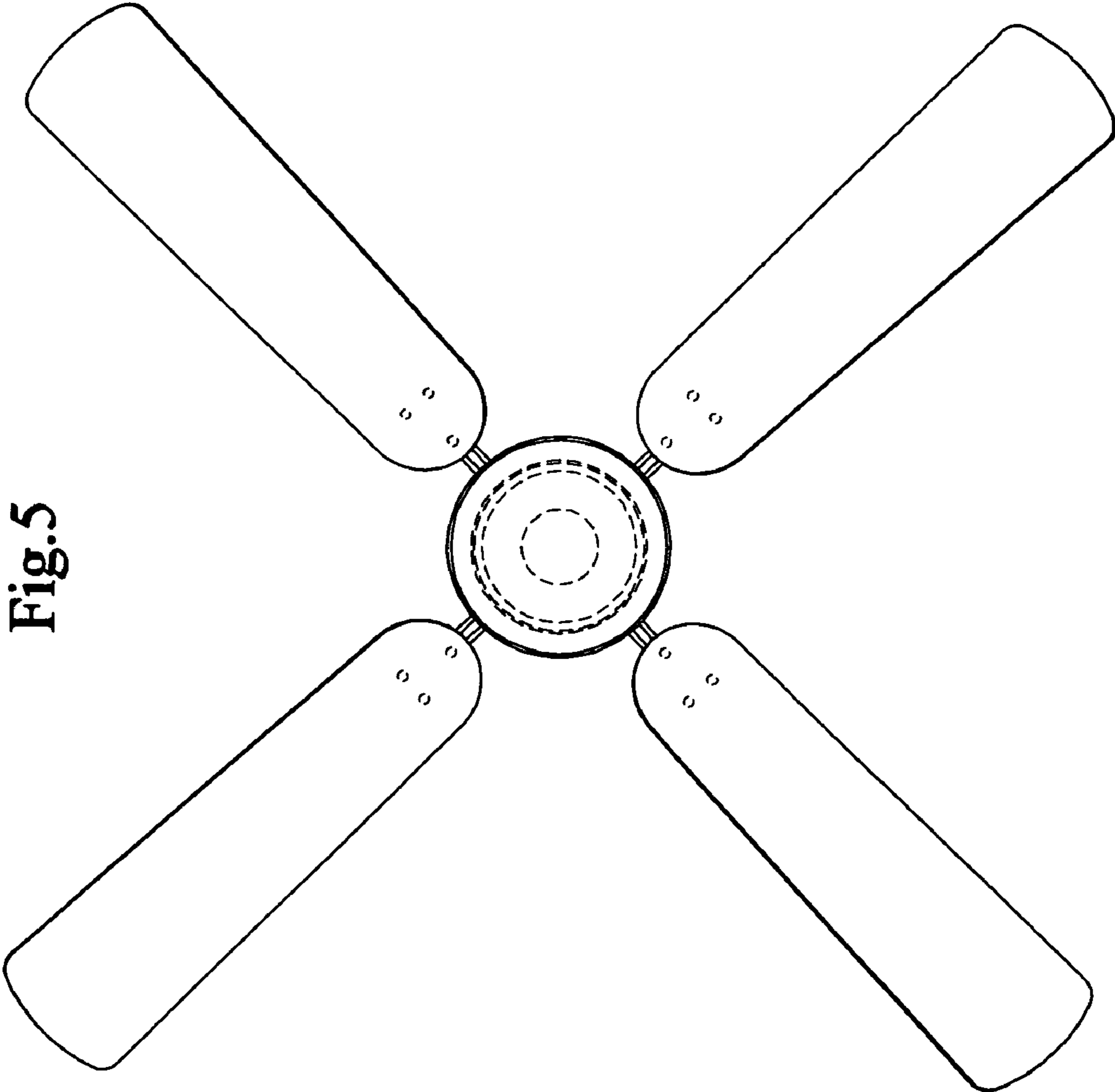


Fig. 5