



US00D583919S

(12) **United States Design Patent**
Backes et al.

(10) **Patent No.:** **US D583,919 S**
(45) **Date of Patent:** **** Dec. 30, 2008**

(54) **RETROFIT FIREPLACE**

(75) Inventors: **Uwe Backes**, Bayview (AU); **Stephane Thomas**, Annandale (AU)

(73) Assignee: **Esmart Group Pty Ltd.**, Warriewood, NSW (AU)

(**) Term: **14 Years**

(21) Appl. No.: **29/298,213**

(22) Filed: **Nov. 30, 2007**

(30) **Foreign Application Priority Data**

May 30, 2007 (EM) 7311957

(51) **LOC (8) Cl.** **23-03**

(52) **U.S. Cl.** **D23/344**

(58) **Field of Classification Search** D23/332-350;
126/25 R, 37 B, 41 R, 50, 506, 512-513,
126/519, 543, 304 R, 305-306; 264/139,
264/221; 428/34.5, 70; 431/125, 126, 253;
99/339, 340, 357

See application file for complete search history.

(56) **References Cited**

U.S. PATENT DOCUMENTS

D149,800 S * 6/1948 Doblin D14/214
D248,043 S * 5/1978 Schade D23/335

D277,308 S * 1/1985 Bastien D23/350
D282,101 S * 1/1986 Yuen D23/328
D291,350 S * 8/1987 Sherman et al. D23/335
D312,302 S * 11/1990 Fan D23/335
D340,971 S * 11/1993 Pirro D23/335
D343,676 S * 1/1994 Lim D23/335
D361,828 S * 8/1995 Chen D23/335

* cited by examiner

Primary Examiner—Louis S Zarfaz

Assistant Examiner—Eric L Goodman

(74) *Attorney, Agent, or Firm*—Millen, White, Zelano & Branigan, P.C.

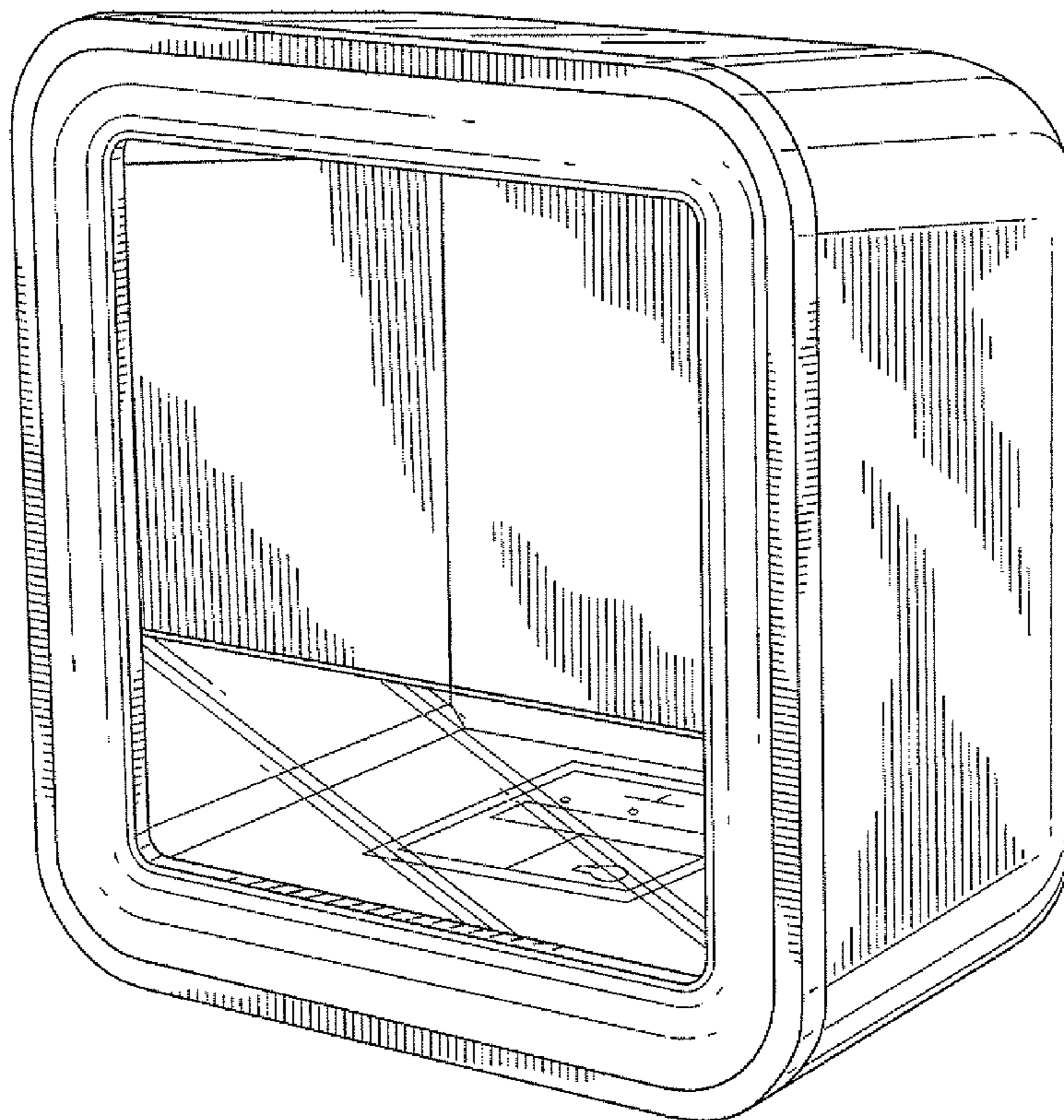
(57) **CLAIM**

The new ornamental design for a retrofit fireplace, as shown and described.

DESCRIPTION

FIG. 1 is a front perspective view of the retrofit fireplace;
FIG. 2 is a rear perspective view of the retrofit fireplace;
FIG. 3 is a front view of the retrofit fireplace;
FIG. 4 is a top view of the retrofit fireplace;
FIG. 5 is a bottom view of the retrofit fireplace;
FIG. 6 is a left side view of the retrofit fireplace; and,
FIG. 7 is a right side view of the retrofit fireplace.

1 Claim, 5 Drawing Sheets



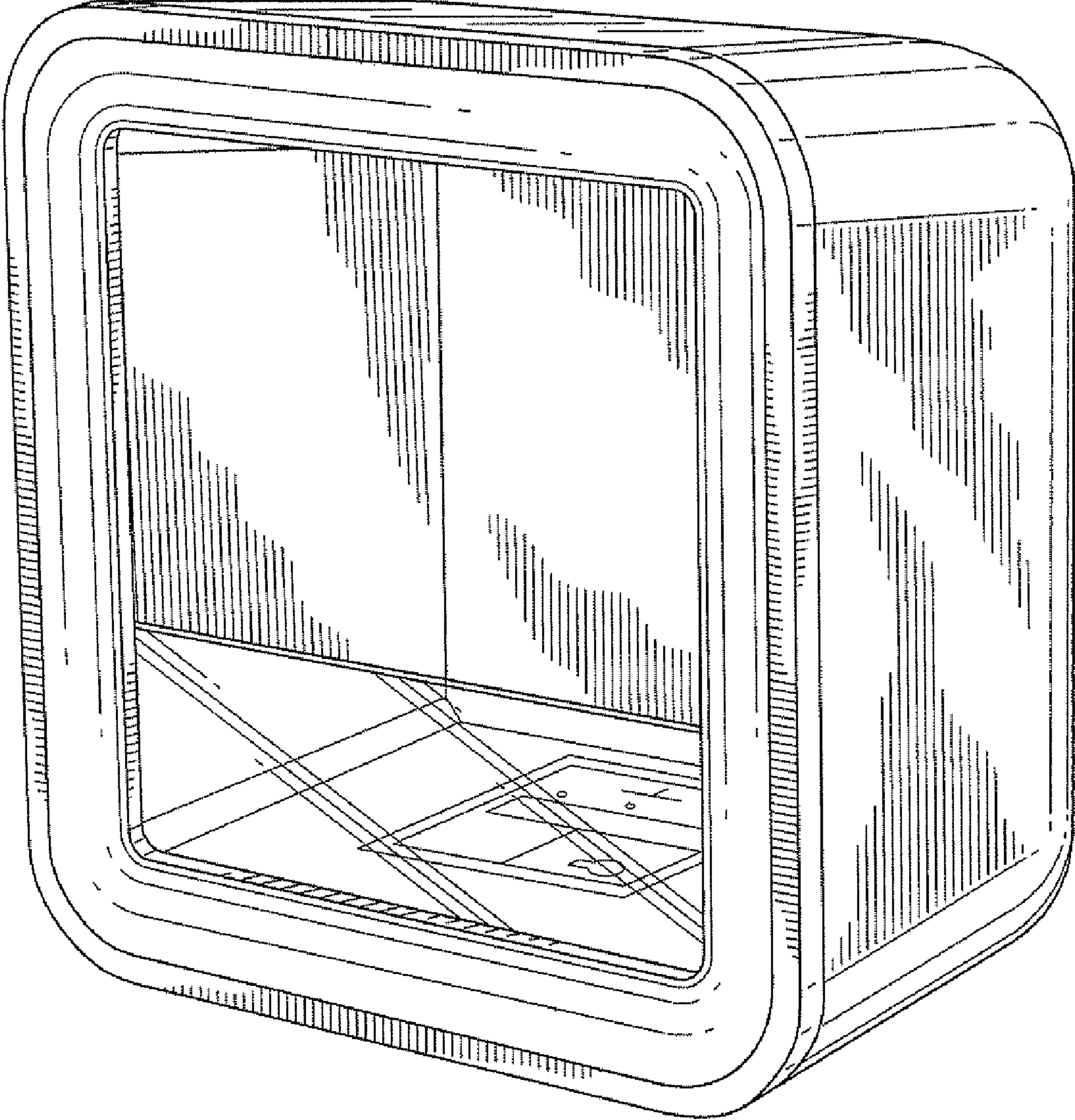


FIG. 1

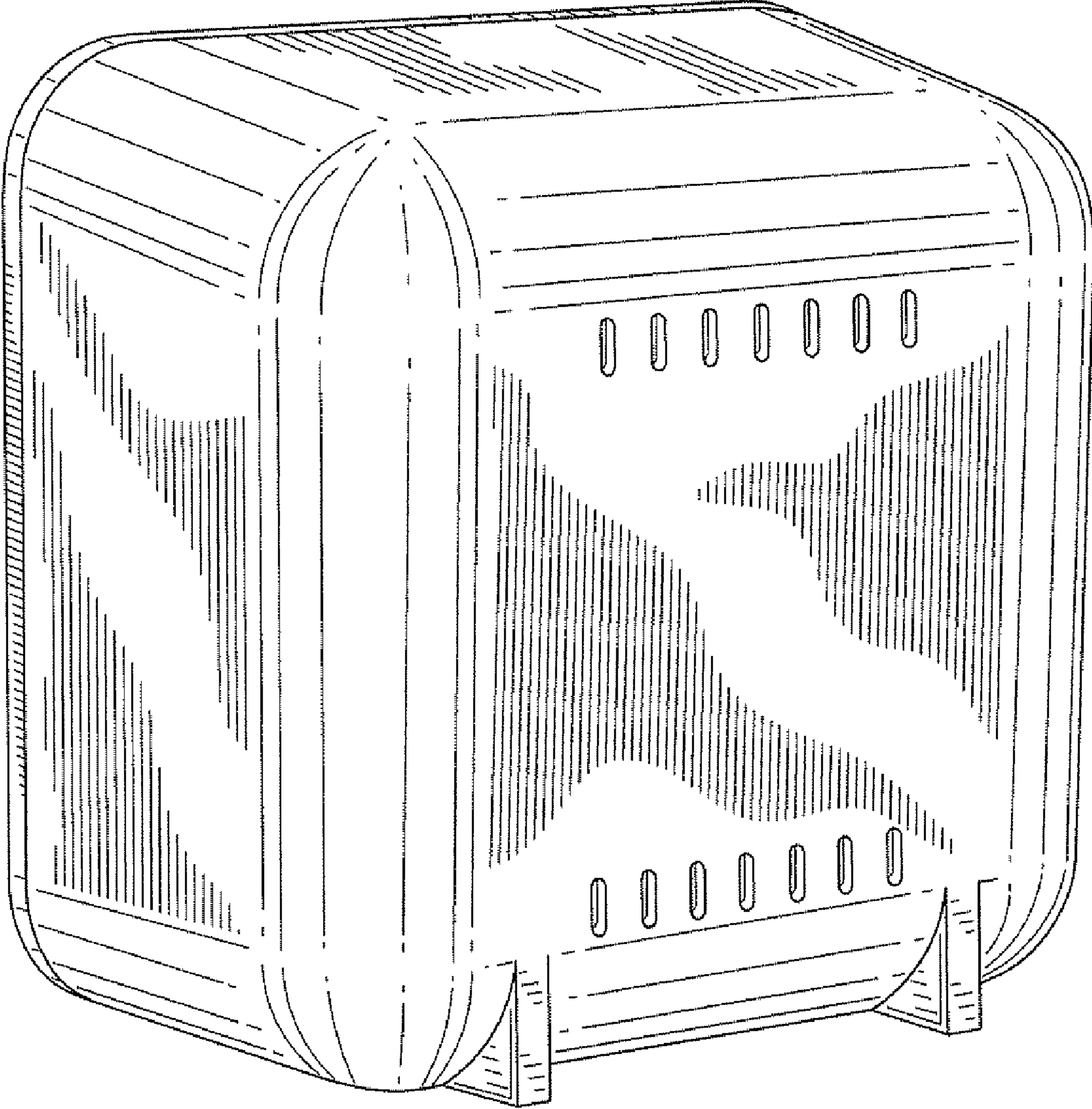


FIG.2

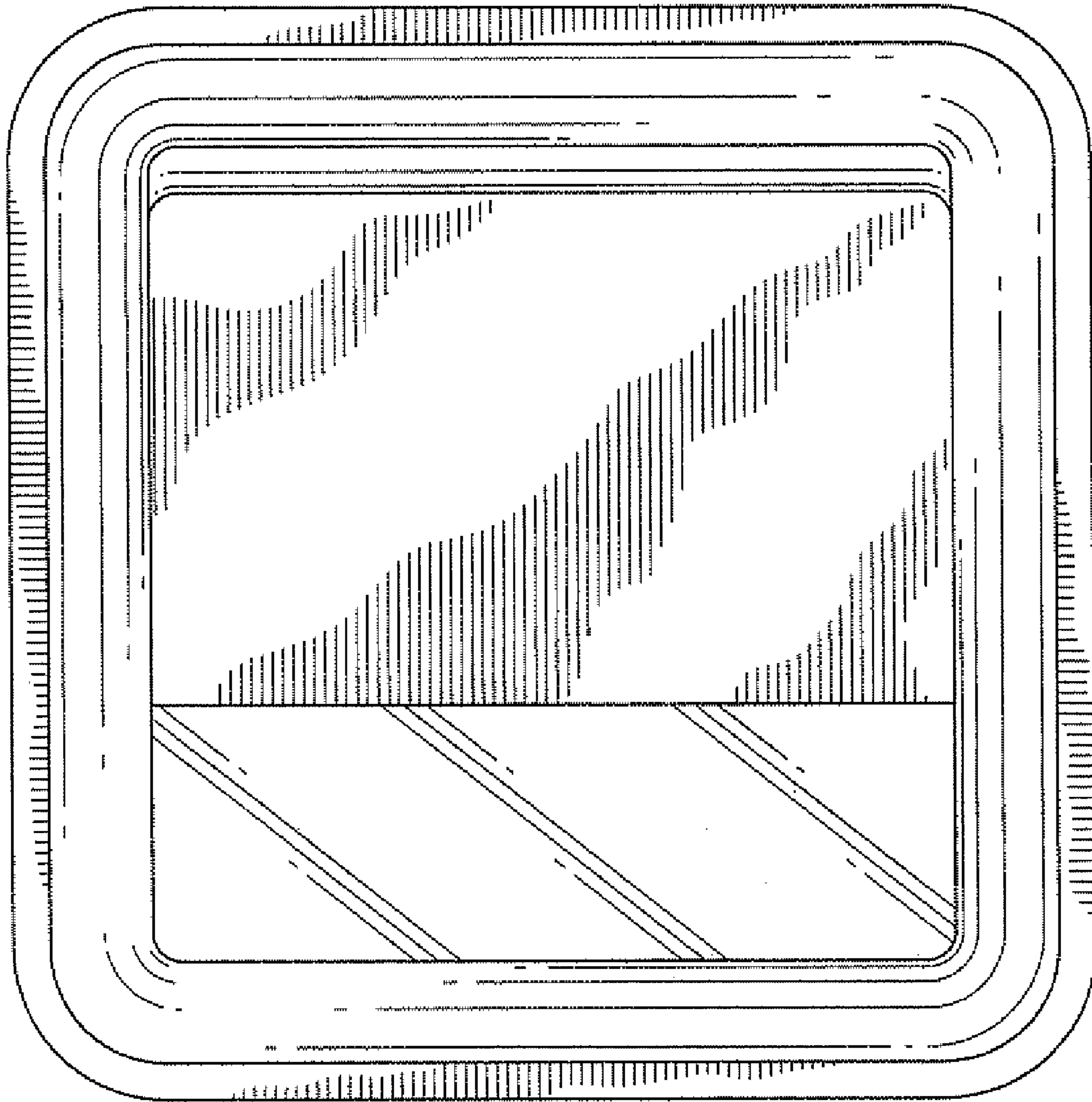


FIG. 3

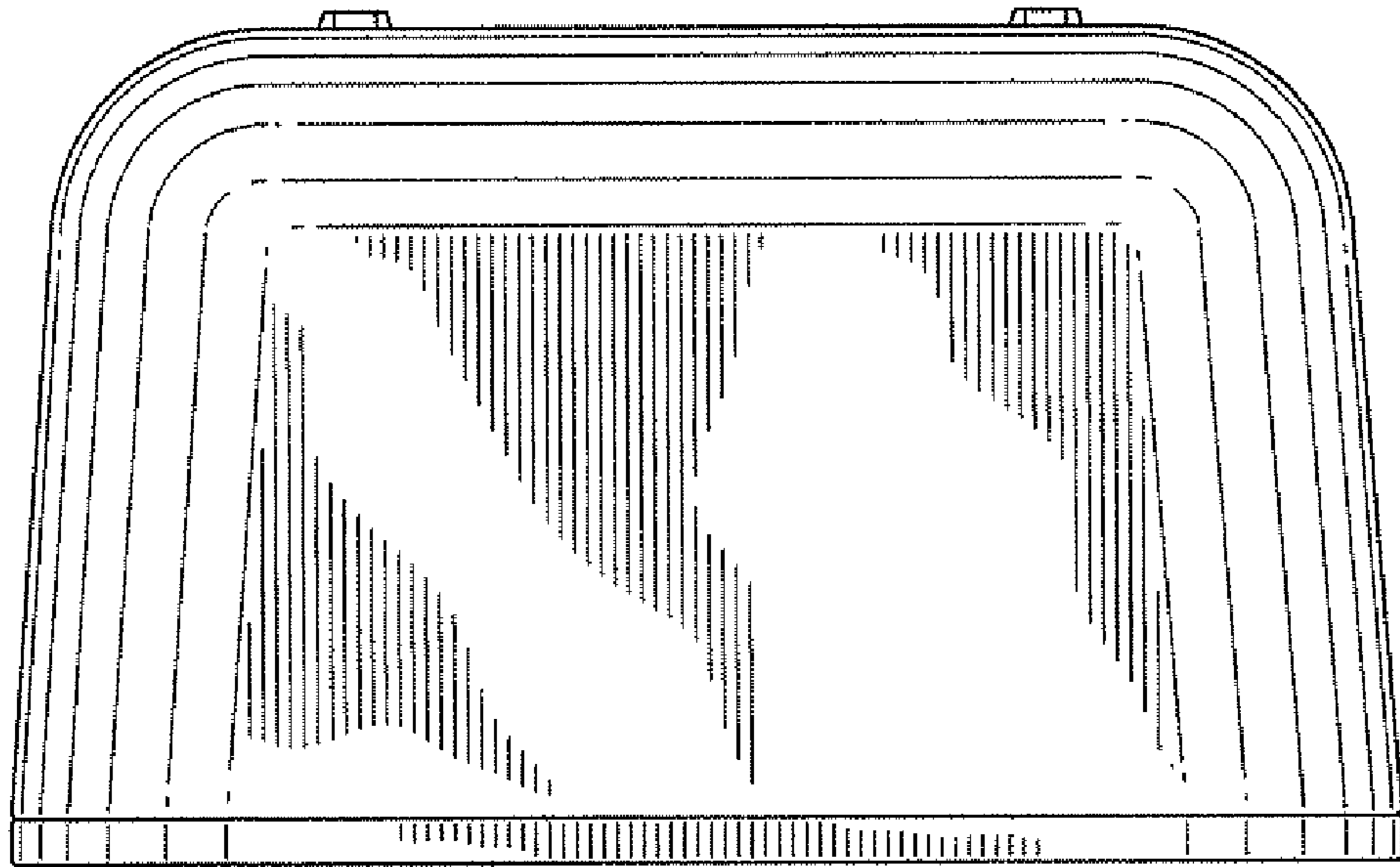


FIG. 4

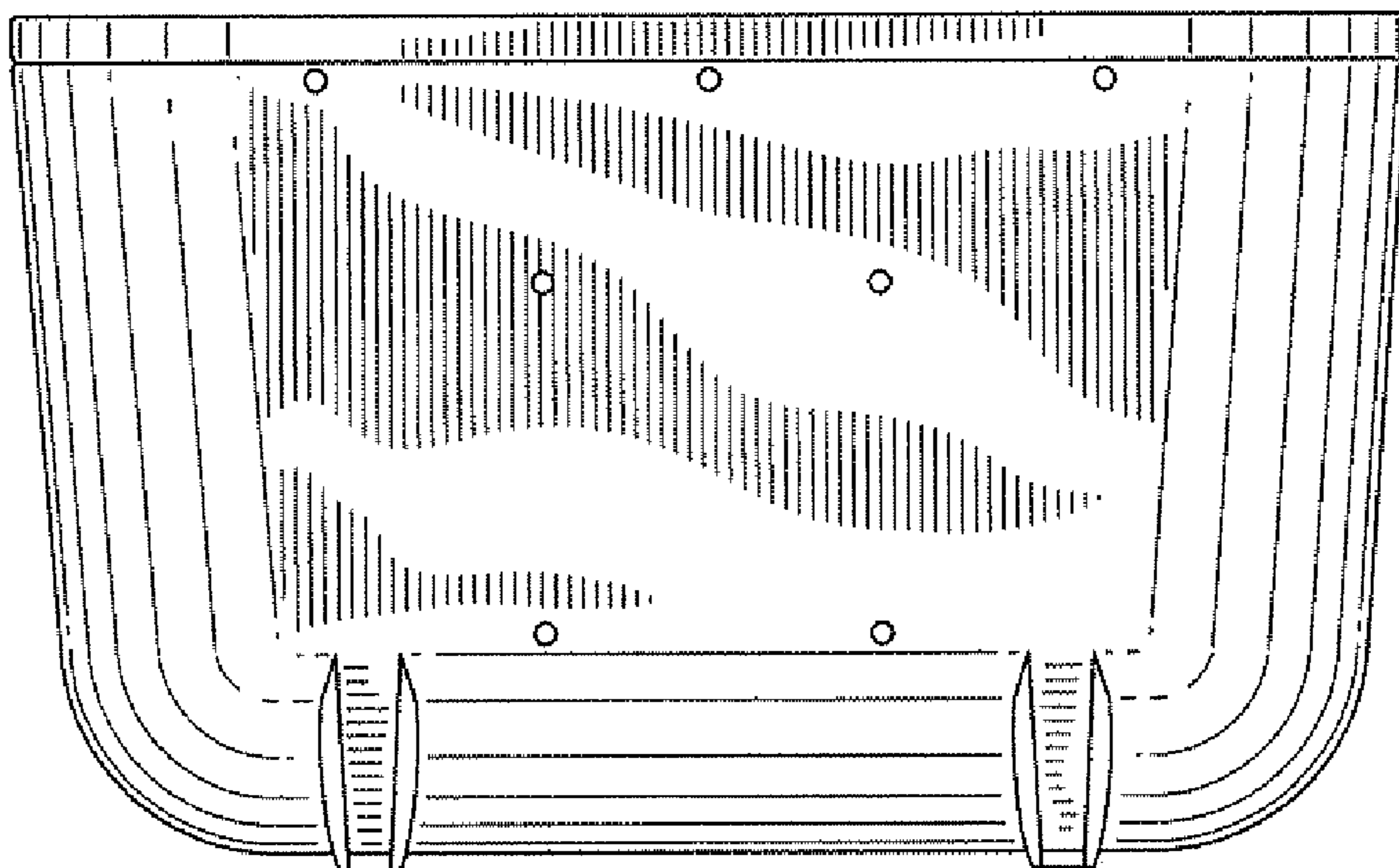


FIG. 5

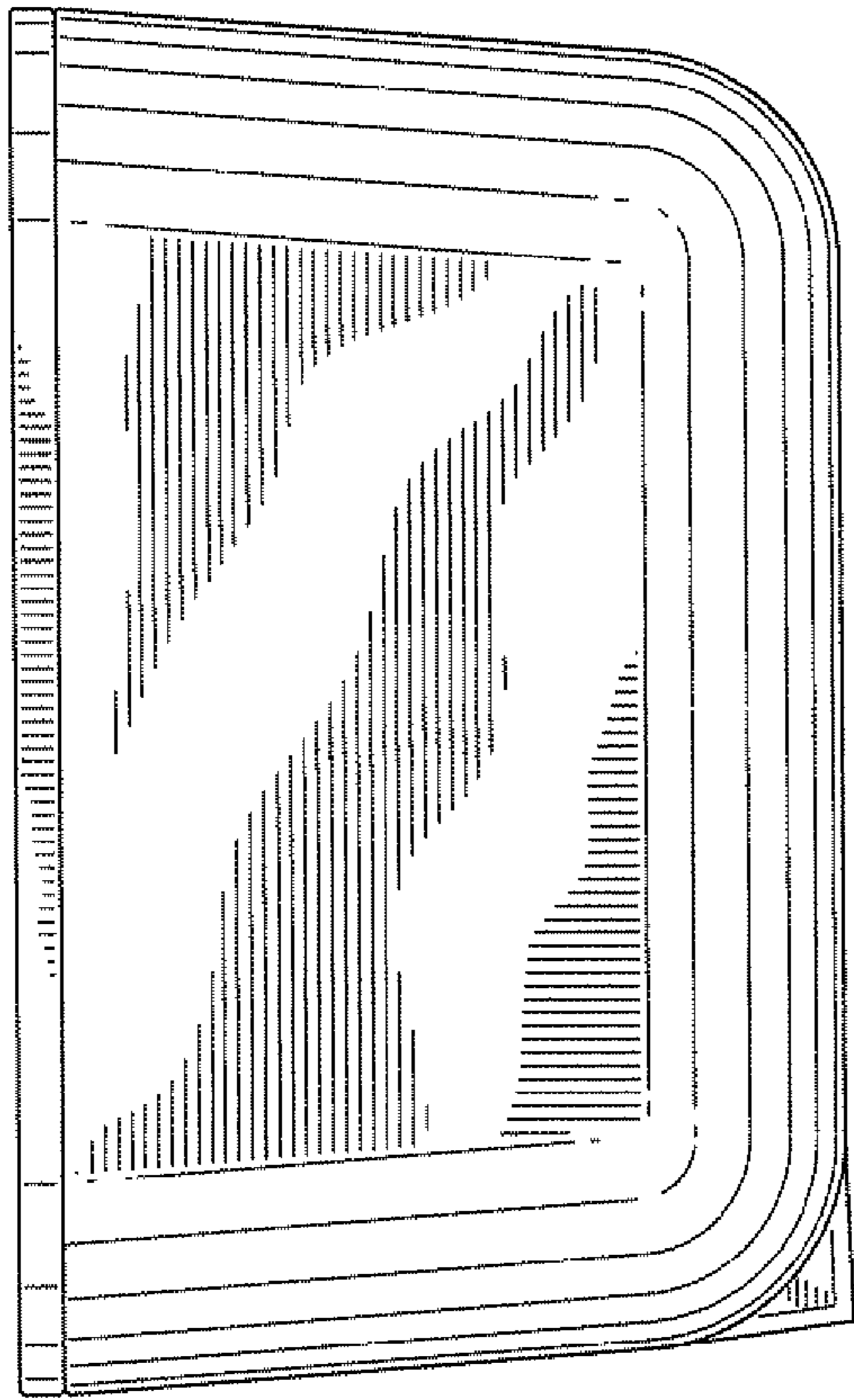


FIG. 6

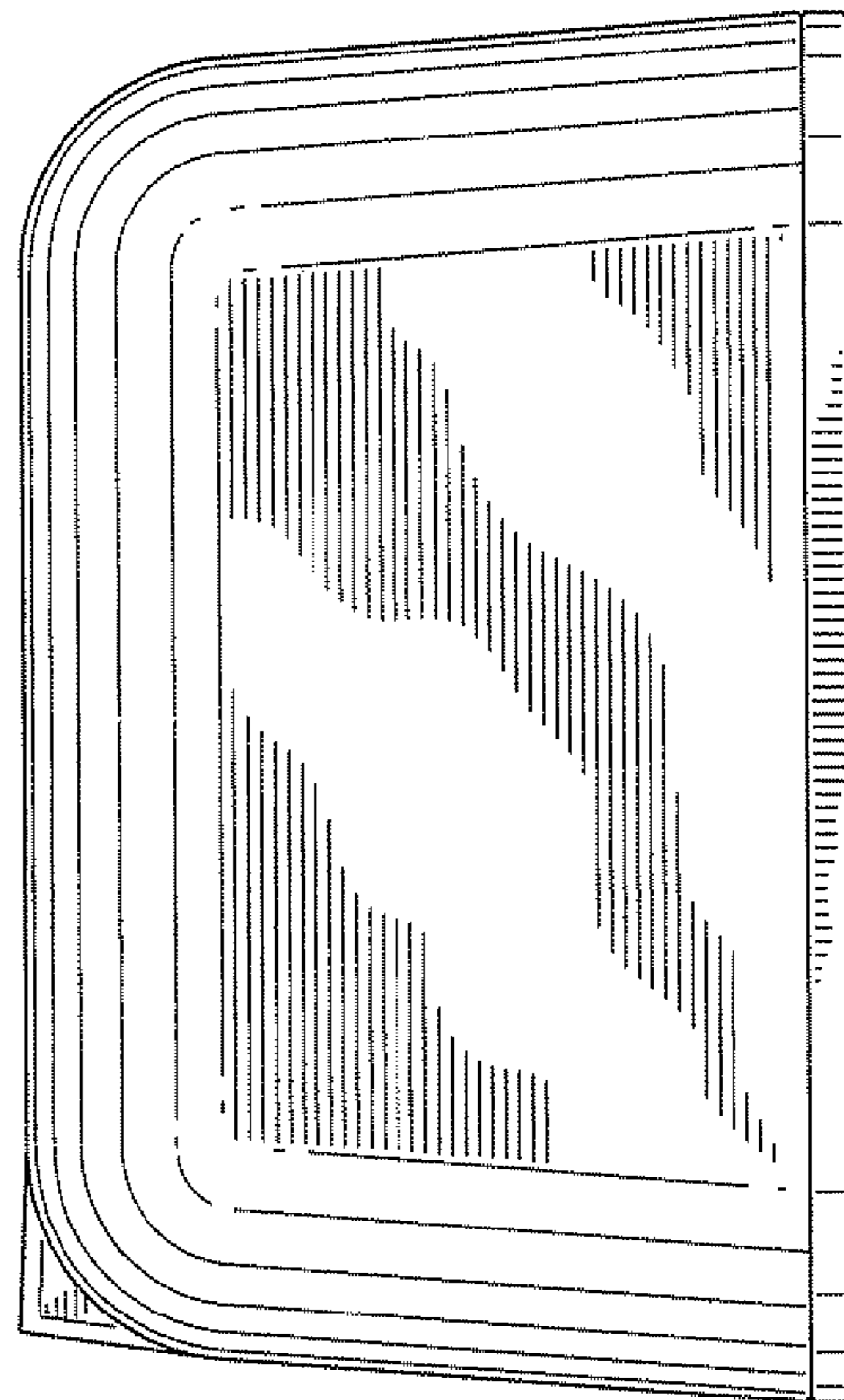


FIG. 7