



US00D583916S

(12) **United States Design Patent**
Madara et al.

(10) **Patent No.:** **US D583,916 S**
(45) **Date of Patent:** **** Dec. 30, 2008**

(54) **PIPE COUPLING**

(75) Inventors: **Scott D. Madara**, Nazareth, PA (US);
John W. Pierce, Nazareth, PA (US);
Douglas R. Dole, Whitehouse Station,
NJ (US); **William A. Nagle**, Laureldale,
PA (US)

(73) Assignee: **Victaulic Company**, Easton, PA (US)

(**) Term: **14 Years**

(21) Appl. No.: **29/278,190**

(22) Filed: **Mar. 21, 2007**

(51) **LOC (8) Cl.** **23-01**

(52) **U.S. Cl.** **D23/265**

(58) **Field of Classification Search** D23/213,
D23/249, 257, 259, 260-269; 239/428.5;
261/DIG. 22; D8/396; 285/1, 112, 179,
285/340, 367, 373, 404, 53, 915; 4/675-678;
403/291, 300; 411/5, 10; 137/801

See application file for complete search history.

(56) **References Cited**

U.S. PATENT DOCUMENTS

1,851,574	A	3/1932	Fiederlein	
D142,057	S *	8/1945	Baxter	D23/265
D142,834	S *	11/1945	Campbell	D23/265
D168,928	S *	3/1953	English	D23/265
2,752,173	A *	6/1956	Krooss	285/232
3,695,638	A	10/1972	Blakeley	
4,218,080	A	8/1980	Kendrick	
4,408,788	A *	10/1983	Beukema	285/419
D287,532	S *	12/1986	Jones et al.	D23/265
4,896,902	A *	1/1990	Weston	285/93
4,966,395	A	10/1990	Hendrickson	
5,058,931	A	10/1991	Bowsher	
D334,050	S *	3/1993	Foxlee	D23/263
D339,975	S *	10/1993	Bird et al.	D8/354

5,911,446	A *	6/1999	McLennan et al.	285/104
6,076,861	A *	6/2000	Ikeda	285/112
6,626,466	B1	9/2003	Dole	
7,086,131	B2	8/2006	Gibb et al.	
7,090,259	B2 *	8/2006	Dole	285/367
D558,307	S *	12/2007	Gibb et al.	D23/265
D560,764	S *	1/2008	Gibb et al.	D23/265
D568,451	S *	5/2008	Gibb et al.	D23/262
D570,458	S *	6/2008	Gibb et al.	D23/262
2005/0242585	A1 *	11/2005	Dole et al.	285/367

OTHER PUBLICATIONS

Asian Sources Hardwares (Apr. 2006), p. 187.
U.S. Appl. No. 29/232,362, Inventor—John Gibb, filed Jun. 17, 2005.
U.S. Appl. No. 29/232,359, Inventor—John Gibb, filed Jun. 17, 2005.

* cited by examiner

Primary Examiner—Cathron C Brooks

Assistant Examiner—Michael A Pratt

(74) *Attorney, Agent, or Firm*—Ballard Spahr Andrews & Ingersoll, LLP

(57) **CLAIM**

We claim the ornamental design for a pipe coupling, as shown and described.

DESCRIPTION

FIG. 1 is a perspective view of the pipe coupling showing our new design;

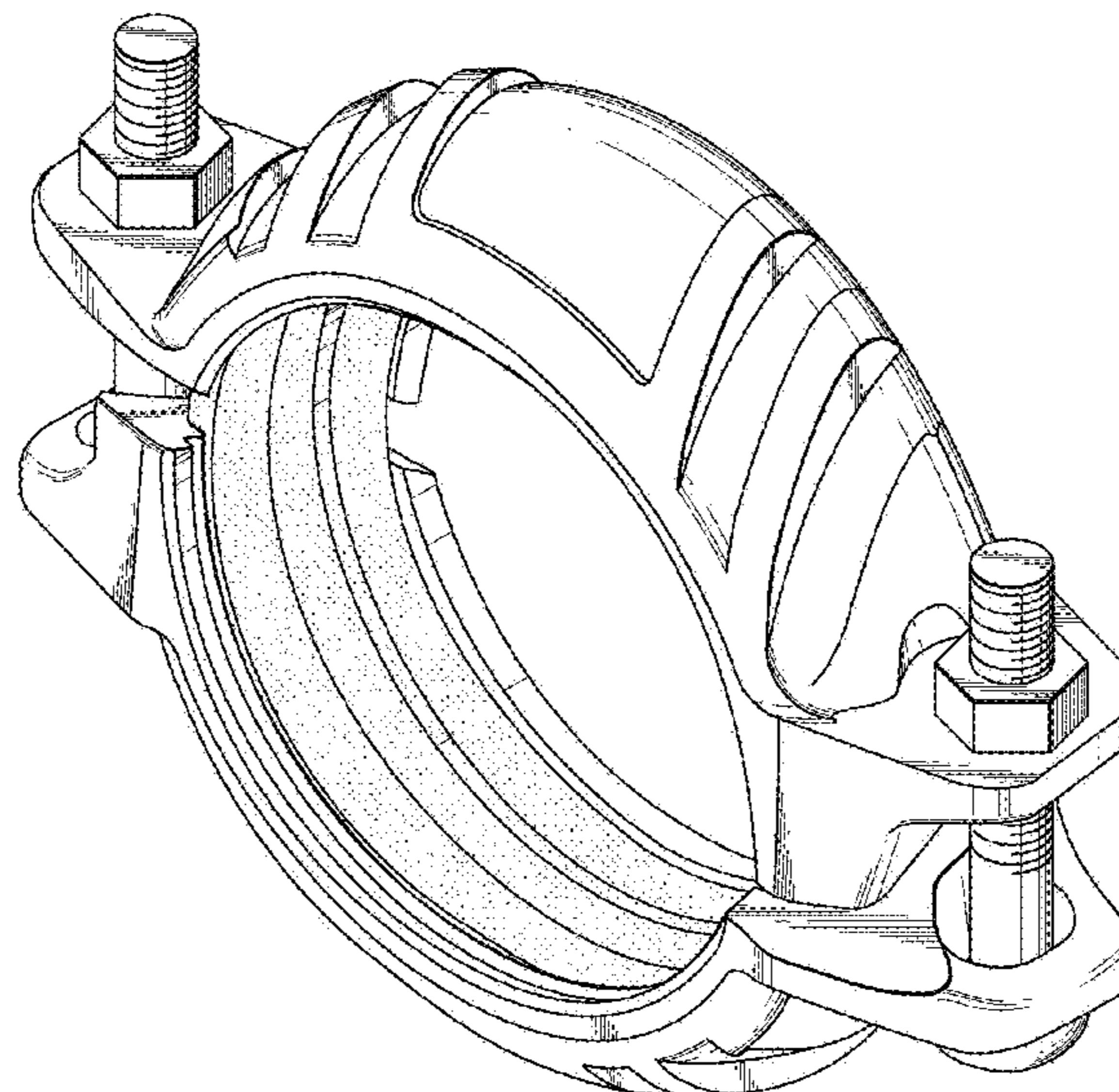
FIG. 2 is a front view of the design for the pipe coupling assembly shown in FIG. 1, the rear view being identical;

FIG. 3 is a top view of the design for the pipe coupling assembly shown in FIG. 1;

FIG. 4 is a bottom view of the design for the pipe coupling assembly shown in FIG. 1; and,

FIG. 5 is a left side view of the design for the pipe coupling assembly shown in FIG. 1, the right side view being identical.

1 Claim, 3 Drawing Sheets



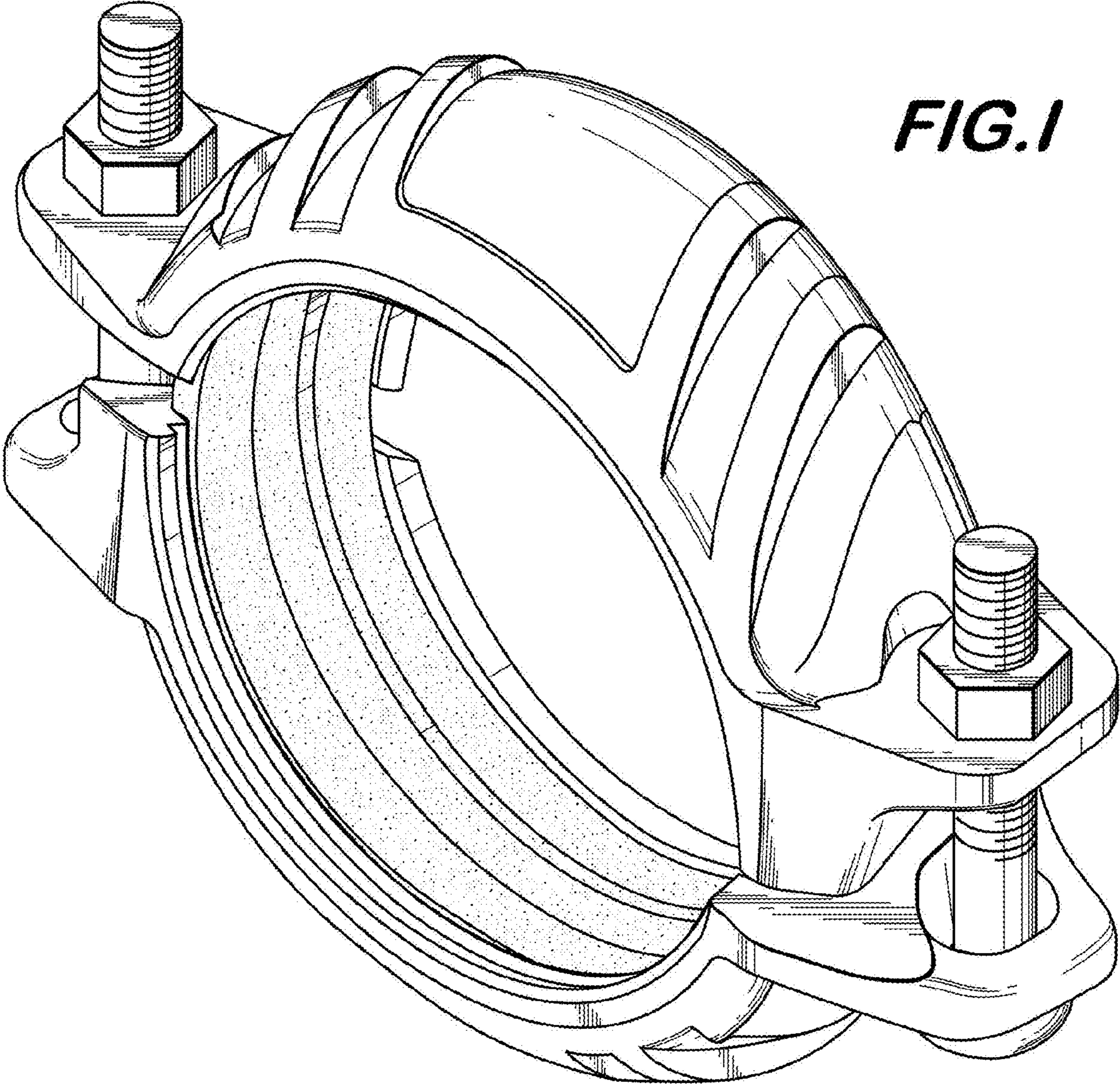


FIG. 1

FIG. 2

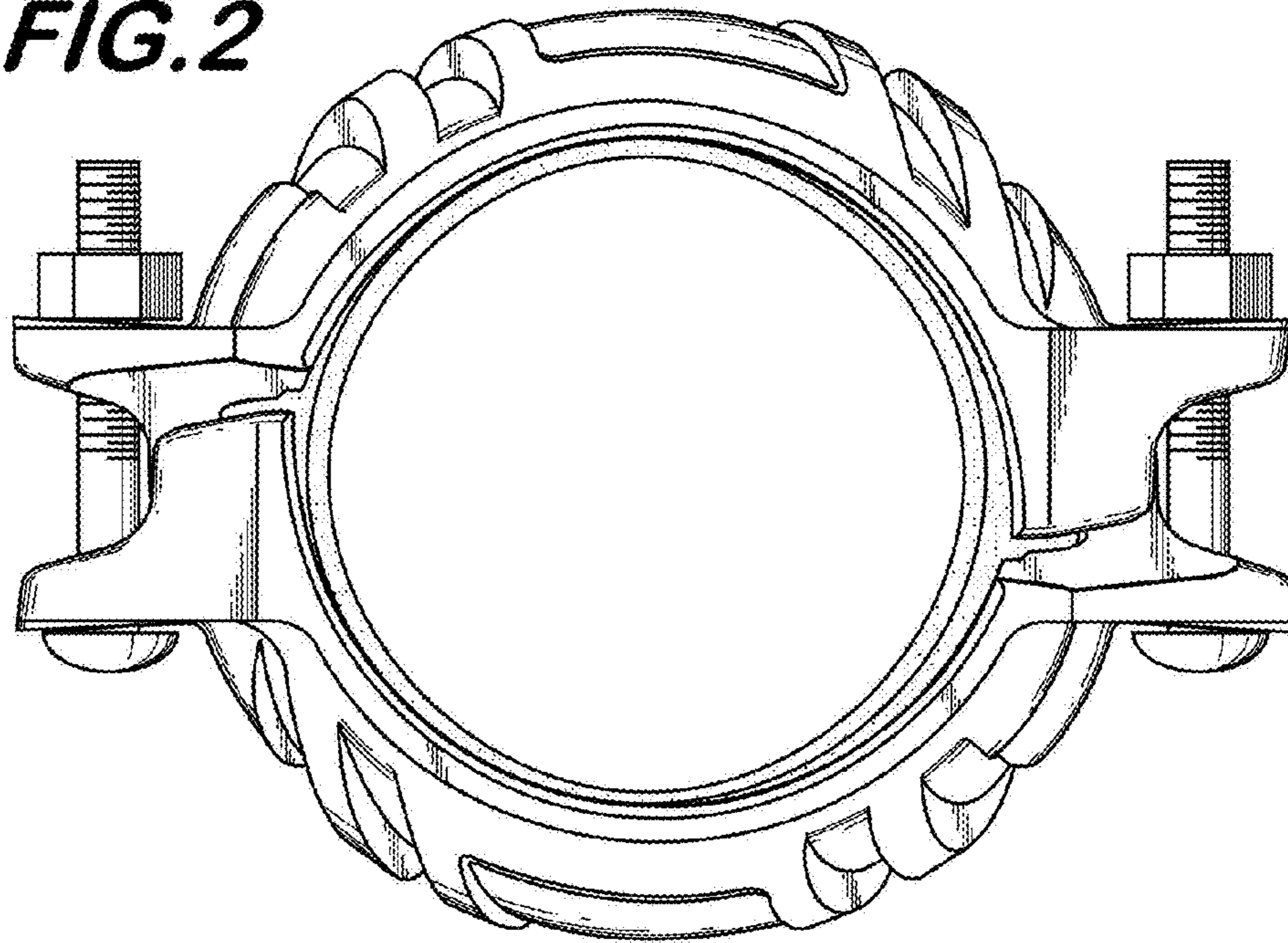


FIG. 3

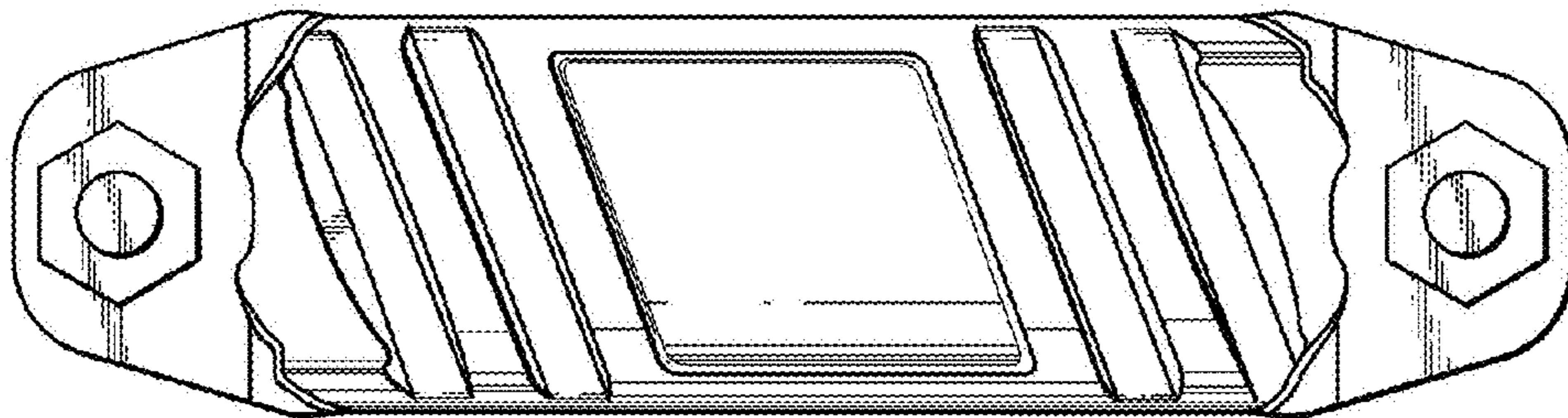
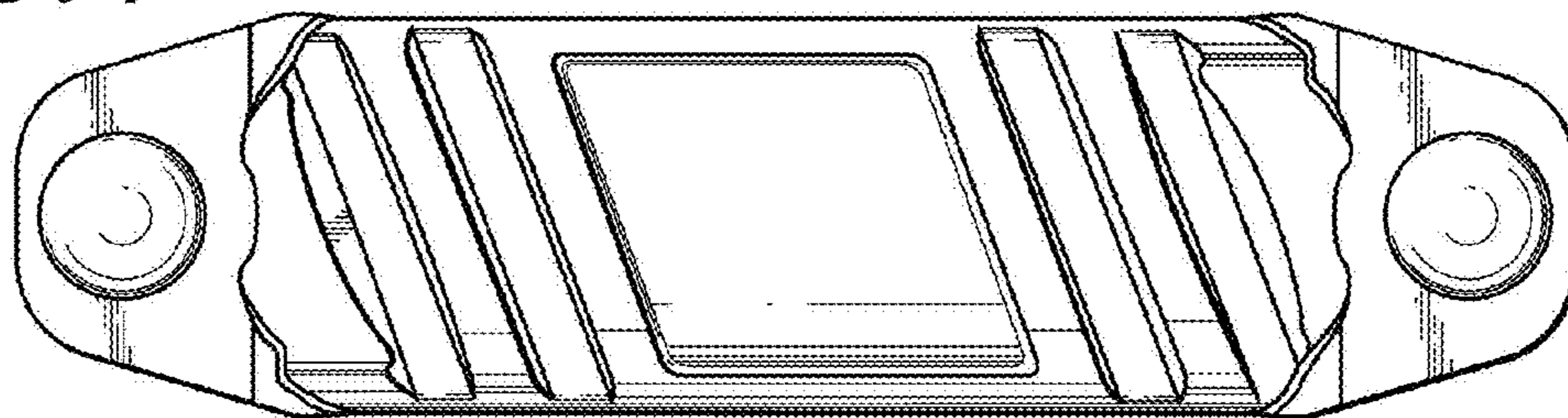


FIG. 4



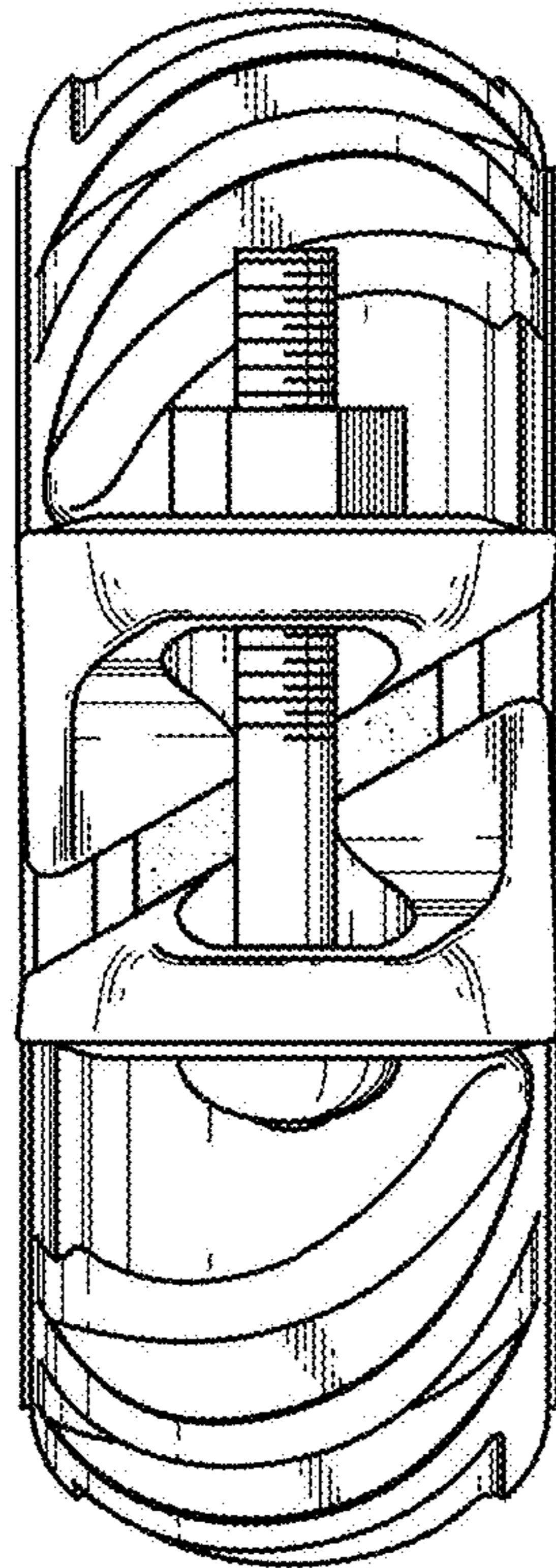


FIG. 5