



US00D583915S

(12) **United States Design Patent**  
**Tiberghien**

(10) **Patent No.:** **US D583,915 S**

(45) **Date of Patent:** **\*\* \*Dec. 30, 2008**

(54) **CONNECTOR**

(75) Inventor: **Alain-Christophe Tiberghien**, Sevrier  
(FR)

(73) Assignee: **Staubli Faverges**, Faverges (FR)

(\*) Notice: This patent is subject to a terminal disclaimer.

(\*\*) Term: **14 Years**

(21) Appl. No.: **29/249,010**

(22) Filed: **Sep. 15, 2006**

(30) **Foreign Application Priority Data**

Mar. 17, 2006 (EM) ..... 000497995-0002

(51) **LOC (8) Cl.** ..... **23-01**

(52) **U.S. Cl.** ..... **D23/263**

(58) **Field of Classification Search** ..... D23/259,  
D23/262; 285/253, 257, 275, 277, 305, 353,  
285/377, 381; 251/149.1, 150  
See application file for complete search history.

(56) **References Cited**

**U.S. PATENT DOCUMENTS**

D376,415 S \* 12/1996 Shemtov ..... D23/262  
6,015,171 A \* 1/2000 Schorn ..... 285/362  
6,651,956 B2 \* 11/2003 Miller ..... 251/149.1

D522,109 S \* 5/2006 White et al. .... D23/262  
D559,362 S \* 1/2008 Zeppetbauer ..... D23/262  
D567,339 S \* 4/2008 Tiberghien ..... D23/262  
D567,340 S \* 4/2008 Tiberghien ..... D23/262  
2003/0141477 A1 \* 7/2003 Miller ..... 251/149.1  
2003/0209681 A1 \* 11/2003 Leinsing et al. .... 251/149.1

\* cited by examiner

*Primary Examiner*—Louis S Zarfaz

*Assistant Examiner*—Eric L Goodman

(74) *Attorney, Agent, or Firm*—Stites & Harbison PLLC;  
Douglas E. Jackson

(57) **CLAIM**

The ornamental design for a connector, as shown and described.

**DESCRIPTION**

FIG. 1 is front view of a connector according to the present invention.

FIG. 2 is a right side view of the connector depicted in FIG. 1.

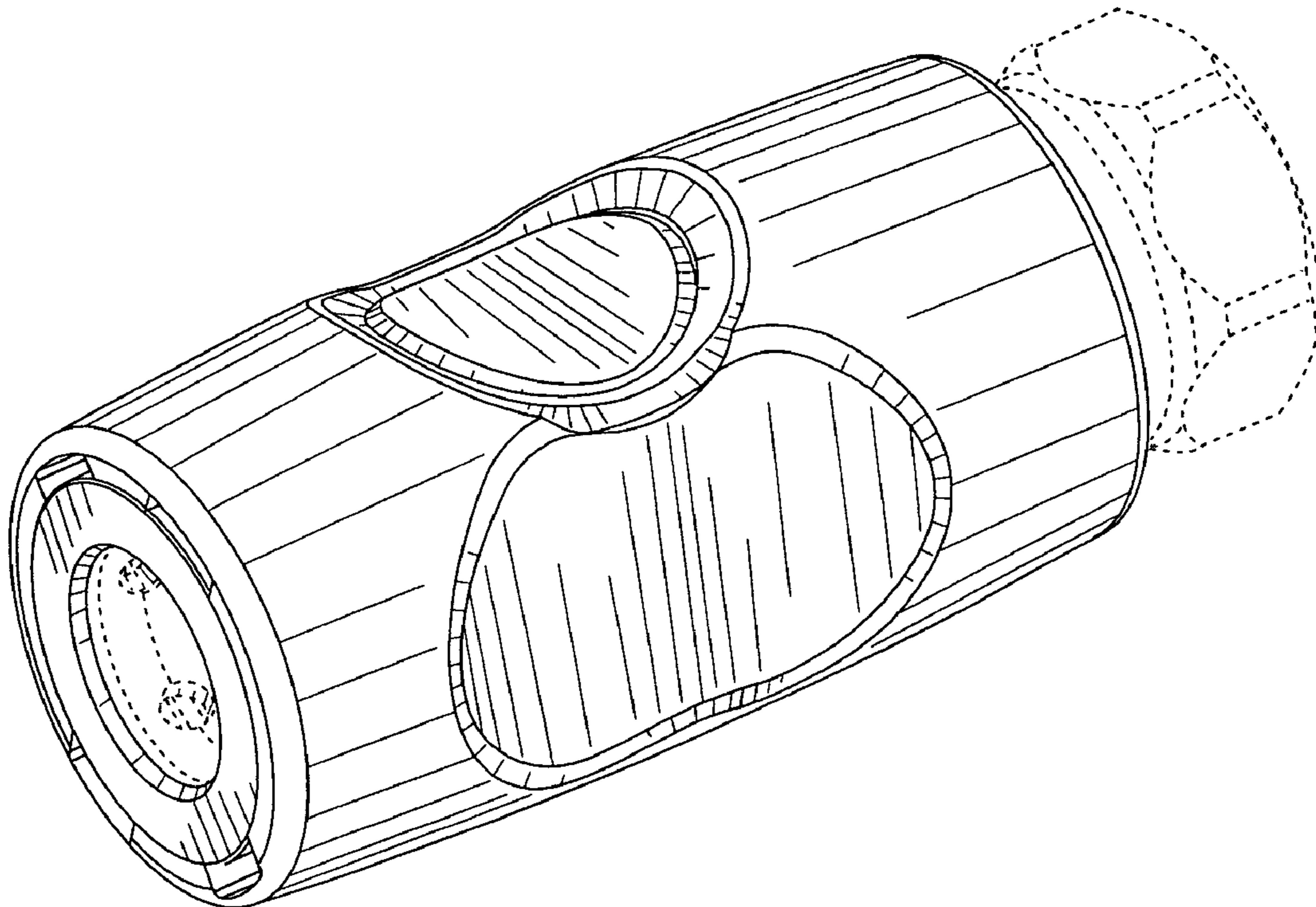
FIG. 3 is a left side view of the connector depicted in FIG. 1.

FIG. 4 is a top view of the connector depicted in FIG. 1, the bottom view being a mirror image thereof; and,

FIG. 5 is a perspective front, bottom and left side view of the connector depicted in FIG. 1.

The portions shown in broken lines are for illustrative purposes only and form no part of the claimed invention.

**1 Claim, 4 Drawing Sheets**



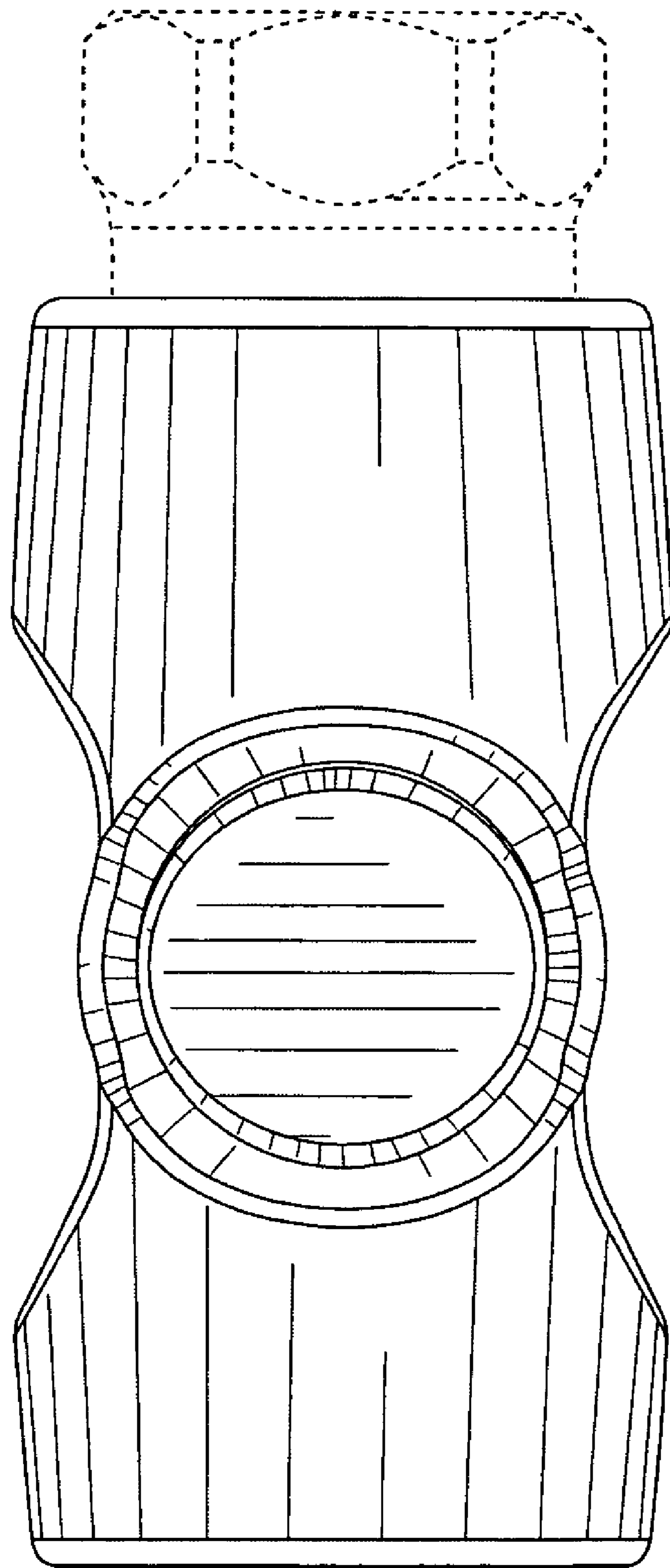


FIG. 1

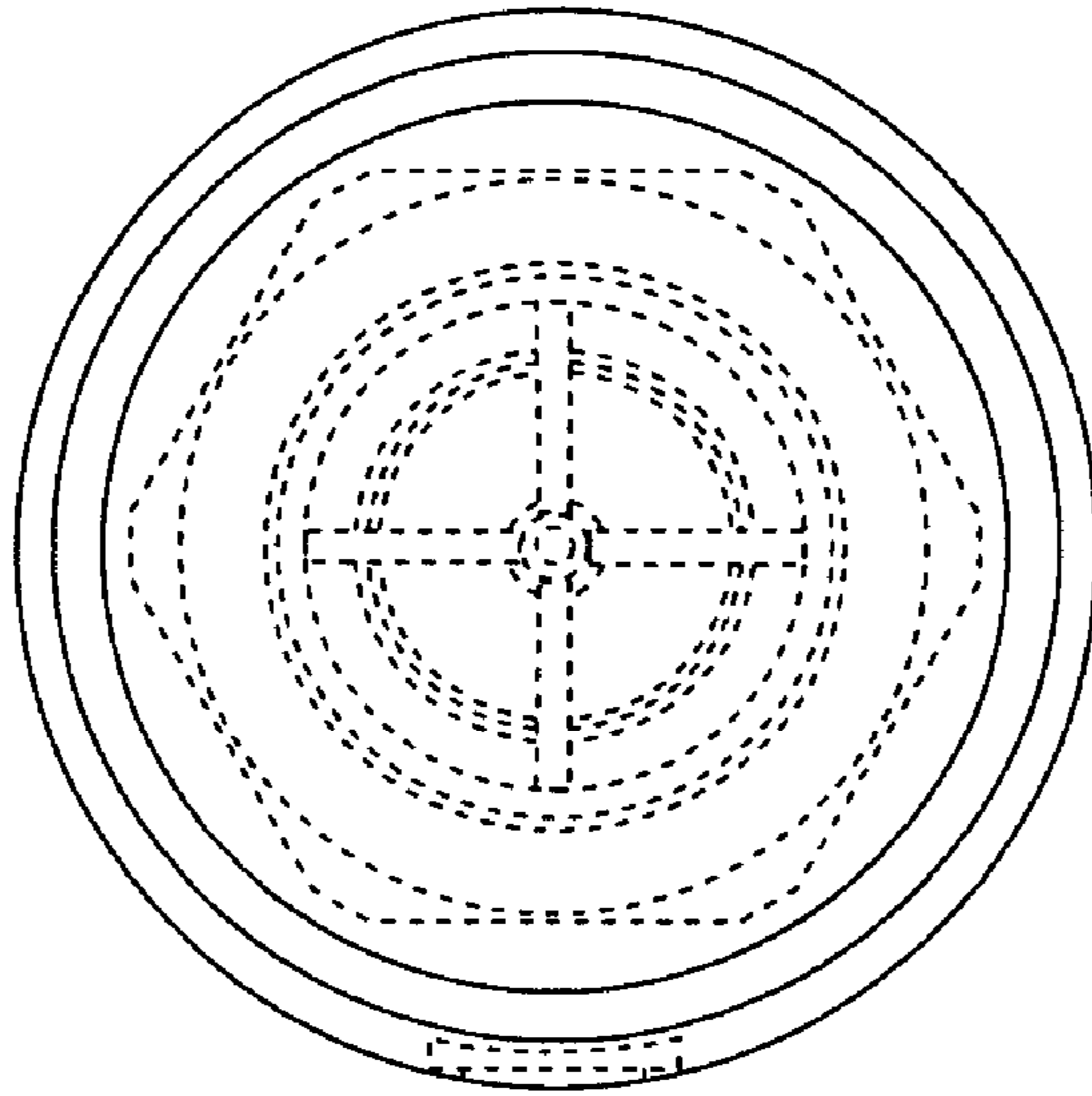


FIG. 2

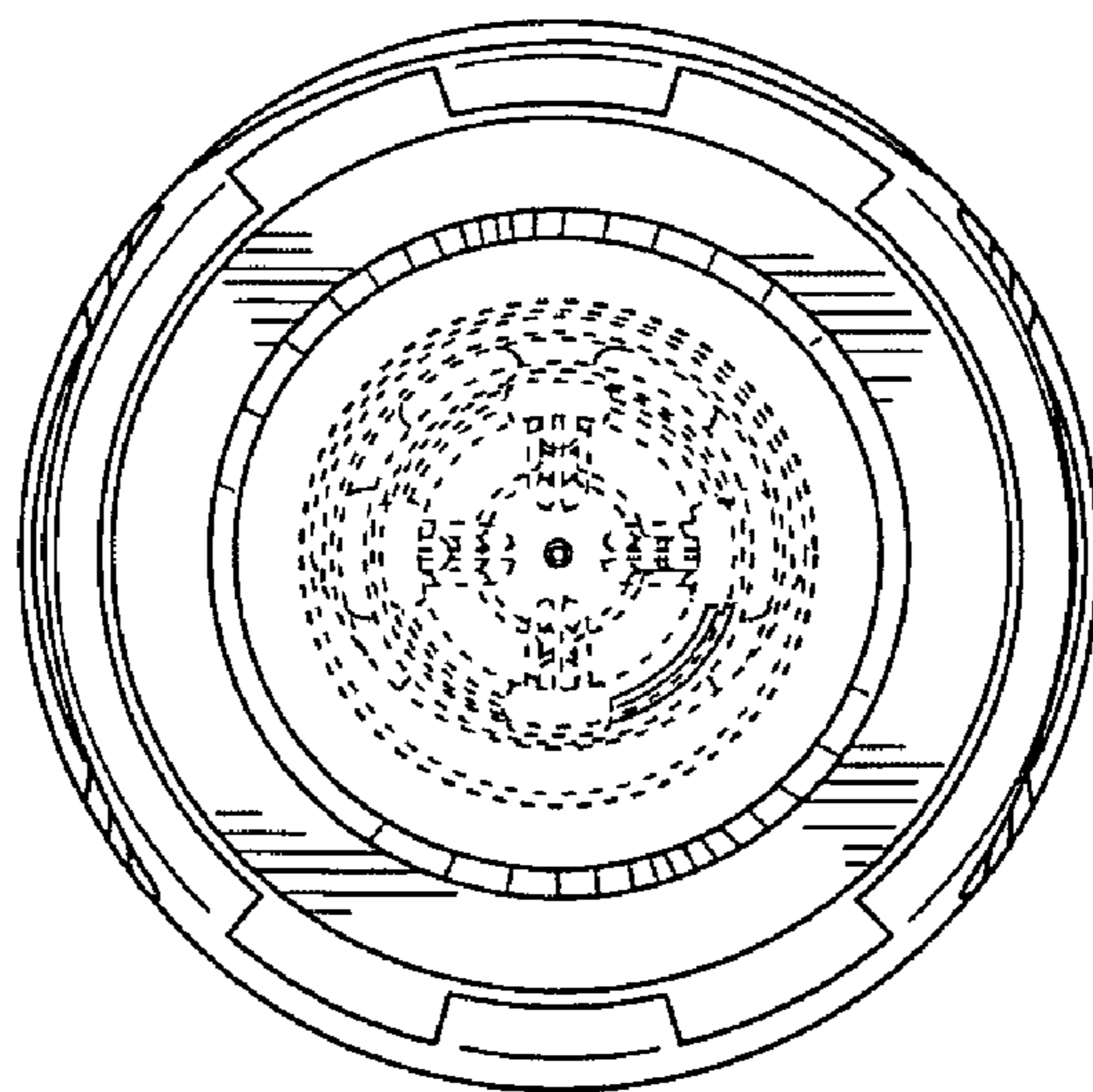


FIG. 3

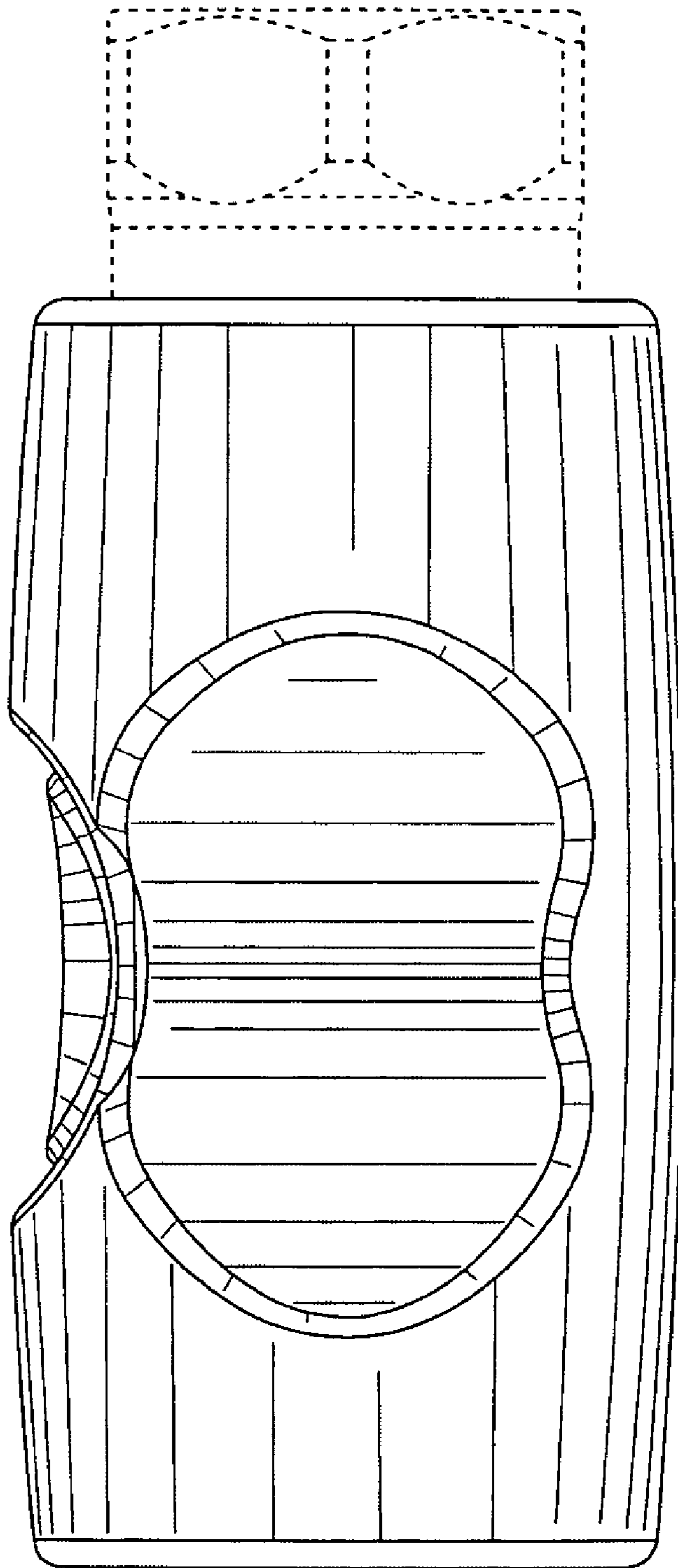


FIG. 4

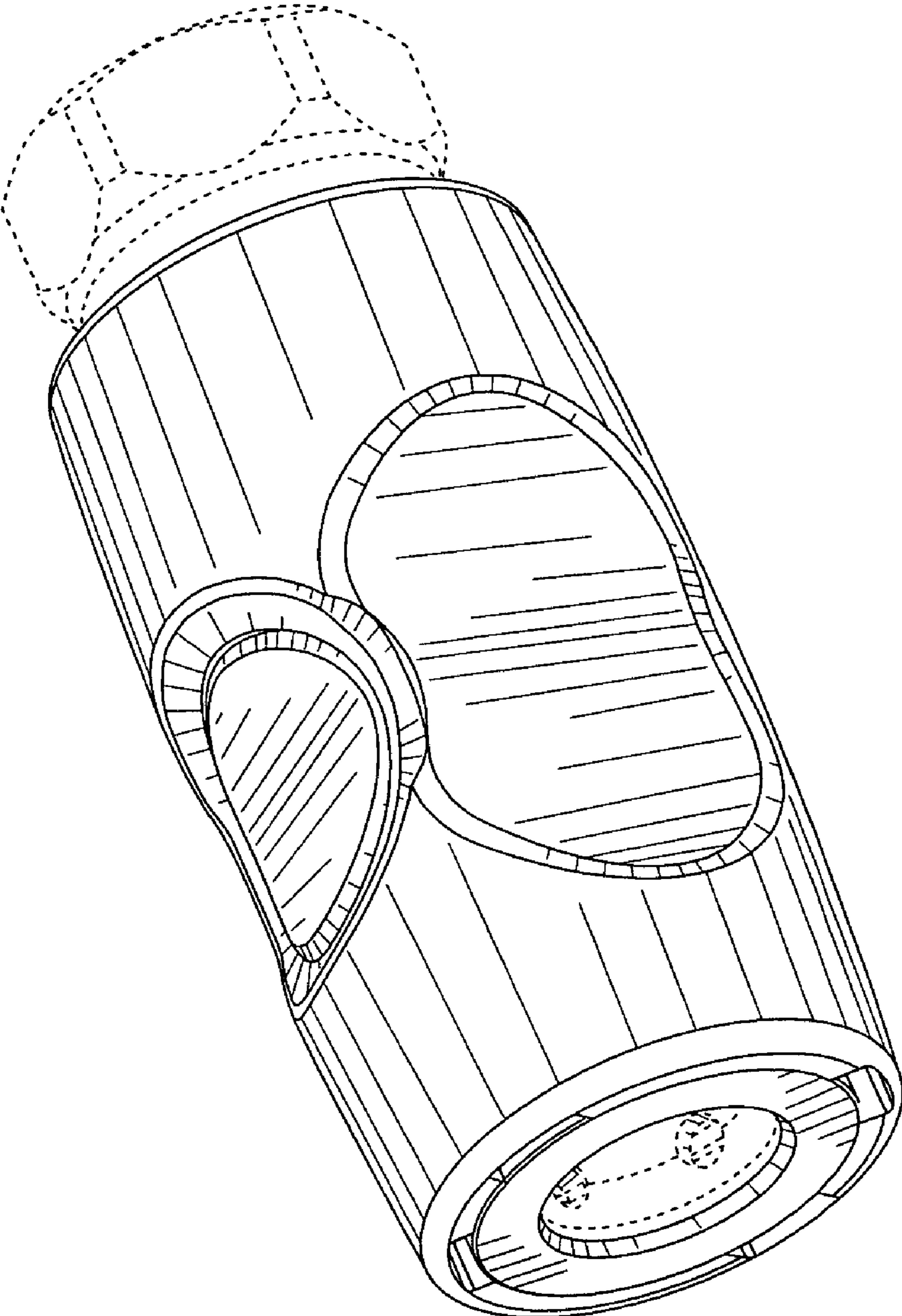


FIG. 5