



US00D583914S

(12) **United States Design Patent**  
**Pierce et al.**

(10) **Patent No.:** **US D583,914 S**  
(45) **Date of Patent:** **\*\* Dec. 30, 2008**

(54) **PIPE COUPLING**

(75) Inventors: **John W. Pierce**, Nazareth, PA (US);  
**Douglas R. Dole**, Whitehouse Station,  
NJ (US); **William A. Nagle**, Laureldale,  
PA (US); **Scott D Madara**, Nazareth, PA  
(US)

(73) Assignee: **Victaulic Company**, Easton, PA (US)

(\*\*) Term: **14 Years**

(21) Appl. No.: **29/278,192**

(22) Filed: **Mar. 21, 2007**

(51) **LOC (8) Cl.** ..... **23-01**

(52) **U.S. Cl.** ..... **D23/262**

(58) **Field of Classification Search** ..... D23/213,  
D23/249, 257, 259, 260, 261, 262, 263, 264,  
D23/265, 266, 267, 268; D15/7; D8/396;  
4/675-678; 403/291, 300; 285/1, 53, 112,  
285/340, 367, 373, 404, 915; 261/DIG. 22;  
239/428.5

See application file for complete search history.

(56) **References Cited**

U.S. PATENT DOCUMENTS

1,027,694	A *	5/1912	Corbet	.....	285/276
1,851,574	A	3/1932	Fiederlein		
2,752,173	A	6/1956	Krooss		
3,695,638	A	10/1972	Blakeley		
4,218,080	A	8/1980	Kendrick		
4,738,276	A *	4/1988	Adams	.....	137/343
4,966,395	A	10/1990	Hendrickson		
5,058,931	A	10/1991	Bowsher		
5,620,314	A *	4/1997	Worton	.....	417/550
6,076,861	A	6/2000	Ikeda		
D463,537	S *	9/2002	Kozu et al.	.....	D23/262
6,547,159	B1 *	4/2003	Westby	.....	239/204
6,626,466	B1	9/2003	Dole		
6,991,268	B2 *	1/2006	Spears	.....	285/334.4

7,086,131	B2	8/2006	Gibb et al.		
7,090,259	B2	8/2006	Dole		
2002/0050718	A1 *	5/2002	Pyron	.....	285/354
2004/0000337	A1 *	1/2004	Cooper	.....	137/377
2008/0017589	A1 *	1/2008	Taylor	.....	210/757
2008/0030026	A1 *	2/2008	Cho	.....	285/363

OTHER PUBLICATIONS

Asian Sources Hardwares (Apr. 2006), p. 187.  
U.S. Appl. No. 29/232,362; Inventor—John Gibb; filed Jun. 17,  
2005.

U.S. Appl. No. 29/232,359; Inventor—John Gibb; filed Jun. 17,  
2005.

\* cited by examiner

*Primary Examiner*—Cathron C Brooks

*Assistant Examiner*—Michael A Pratt

(74) *Attorney, Agent, or Firm*—Ballard Spahr Andrews &  
Ingersoll LLP

(57) **CLAIM**

The ornamental design for a pipe coupling, as shown and  
described.

**DESCRIPTION**

FIG. 1 is a perspective view of the pipe coupling showing our  
new design;

FIG. 2 is a front view of the design for the pipe coupling  
assembly shown in FIG. 1, the rear view being identical;

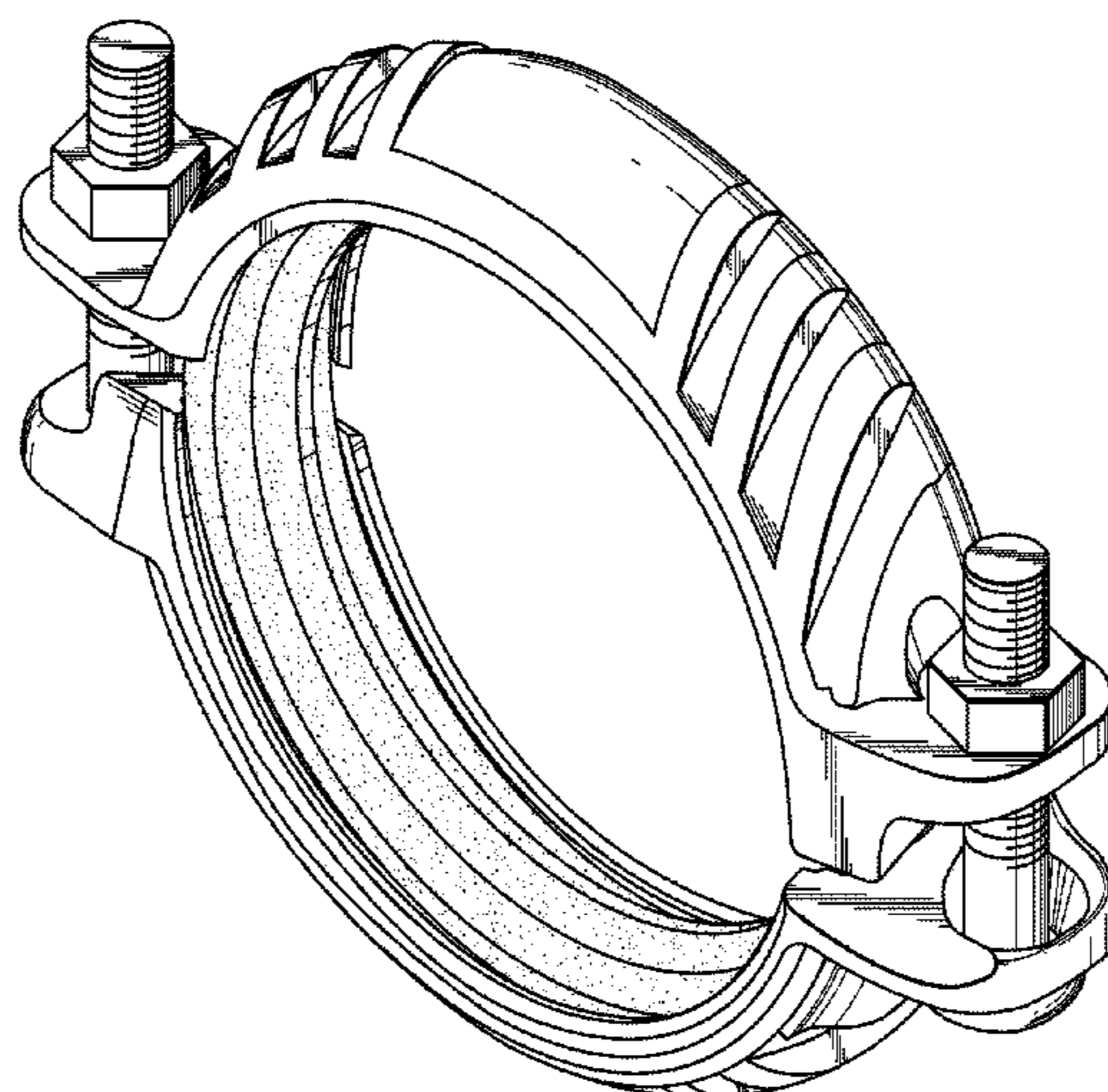
FIG. 3 is a top view of the design for the pipe coupling  
assembly shown in FIG. 1;

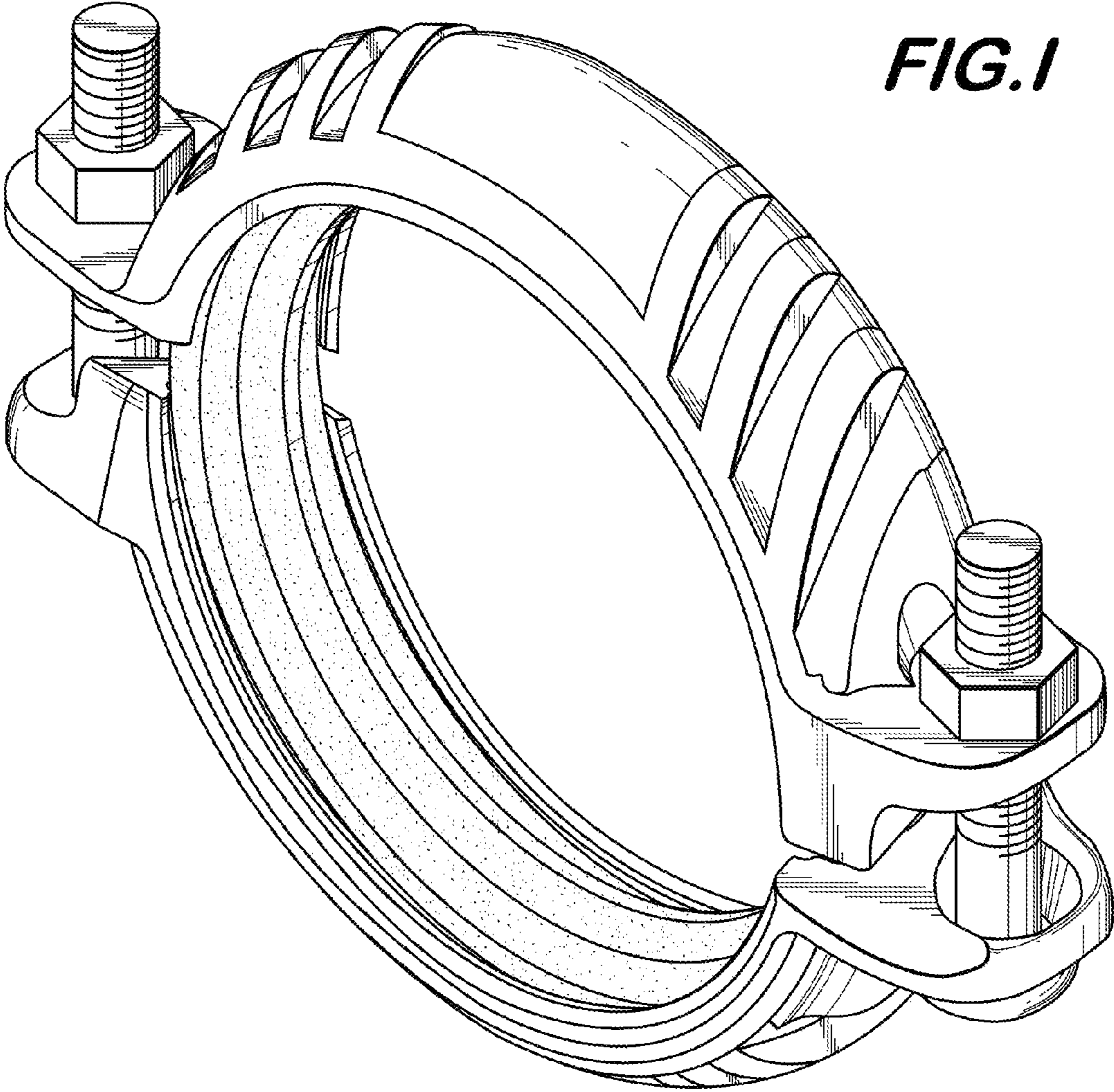
FIG. 4 is a bottom view of the design for the pipe coupling  
assembly shown in FIG. 1; and,

FIG. 5 is a left side view of the design for the pipe coupling  
assembly shown in FIG. 1, the right side view being identical.

The broken lines in FIGS. 1-5 are in no way intended to form  
part of the claimed design and are for illustrative purposes  
only.

**1 Claim, 2 Drawing Sheets**





**FIG. 1**

