



US00D583913S

(12) **United States Design Patent**  
**Nattrass et al.**

(10) **Patent No.:** **US D583,913 S**  
(45) **Date of Patent:** **\*\* Dec. 30, 2008**

(54) **STORM WATER DRAINAGE PIT**

(74) *Attorney, Agent, or Firm*—Barnes & Thornburg LLP

(75) Inventors: **Nigel Nattrass**, Rhodes (AU); **Owen Luke**, Kiama Heights (AU)

(57) **CLAIM**

The ornamental design for a storm water drainage pit, as shown.

(73) Assignee: **ReIn Pty Limited** (AU)

(\*\*) Term: **14 Years**

**DESCRIPTION**

(21) Appl. No.: **29/253,874**

FIG. 1 is a front side and one end perspective view of the storm water drainage pit in accordance with an embodiment of the present invention;

(22) Filed: **Feb. 13, 2006**

FIG. 2 is a bottom and second end perspective view of the storm water drainage pit in accordance with an embodiment of the present invention;

(51) **LOC (8) Cl.** ..... **23-01**

(52) **U.S. Cl.** ..... **D23/261**

(58) **Field of Classification Search** ..... D23/259–262,  
D23/267; 4/222.1, 286–287, 290, 292; 52/12;  
210/122, 16–166, 170.03, 232, 314–315,  
210/335, 337, 339, 463, 477, 485, 489; 404/4–5;  
405/45, 118

FIG. 3 is a top plan view of the storm water drainage pit in accordance with an embodiment of the present invention;

FIG. 4 is a bottom plan view of the storm water drainage pit in accordance with an embodiment of the present invention;

See application file for complete search history.

FIG. 5 is an end elevation view of one end of the storm water drainage pit in accordance with an embodiment of the present invention;

(56) **References Cited**

**U.S. PATENT DOCUMENTS**

5,810,510	A *	9/1998	Urriola	.....	405/45
5,954,952	A *	9/1999	Strawser, Sr.	.....	210/164
6,517,715	B1 *	2/2003	Batten et al.	.....	210/232
6,612,780	B2 *	9/2003	Dahowski et al.	.....	405/118
7,153,417	B2 *	12/2006	Happel	.....	210/122
D540,438	S *	4/2007	Nattrass	.....	D23/267
2005/0207839	A1 *	9/2005	Tremouilhac	.....	404/5
2005/0247612	A1 *	11/2005	Glassheim	.....	210/163
2006/0102543	A1 *	5/2006	Peters et al.	.....	210/170
2006/0201860	A1 *	9/2006	Happel et al.	.....	210/162

FIG. 6 is an opposite end elevation view of one end of the storm water drainage pit in accordance with an embodiment of the present invention;

FIG. 7 is a side elevation view of one side of the storm water drainage pit in accordance with an embodiment of the present invention; and,

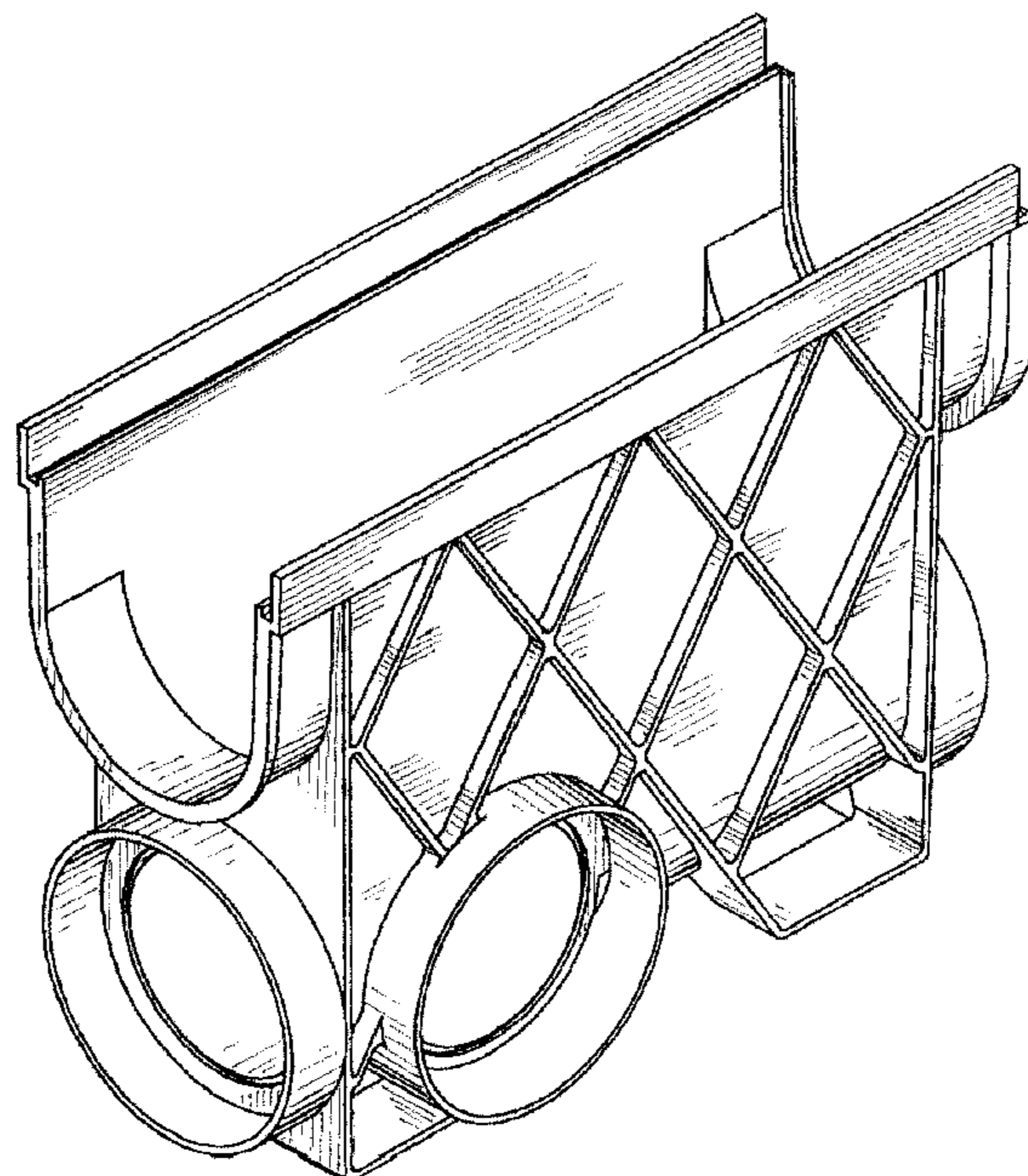
FIG. 8 is an opposite side elevation view of one side of the storm water drainage pit in accordance with an embodiment of the present invention.

The broken line showing in FIG. 3 is included for the purpose of illustrating portions of the article and forms no part of the claimed design.

\* cited by examiner

*Primary Examiner*—Louis S Zarfaz  
*Assistant Examiner*—Eric L Goodman

**1 Claim, 8 Drawing Sheets**



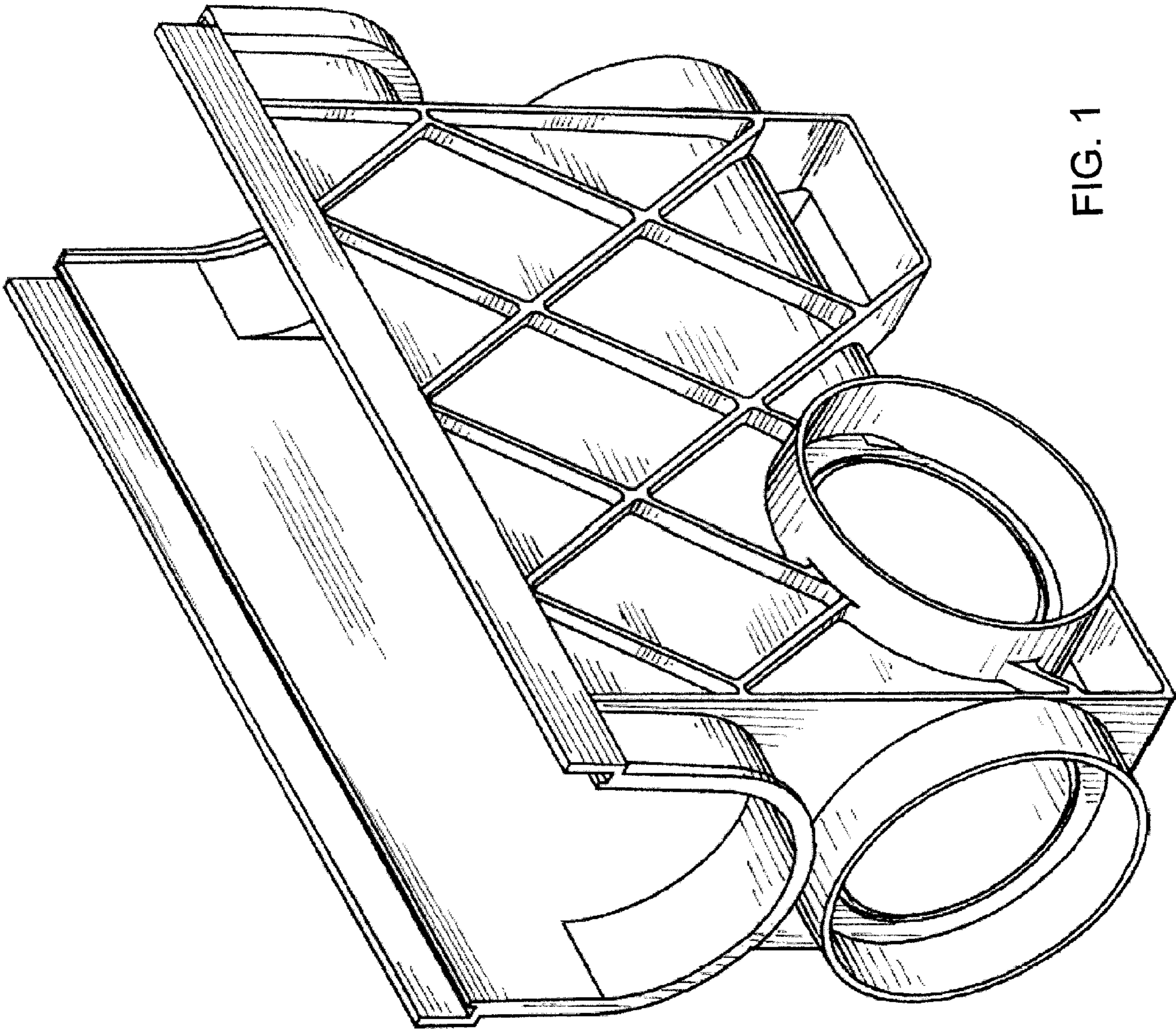


FIG. 1

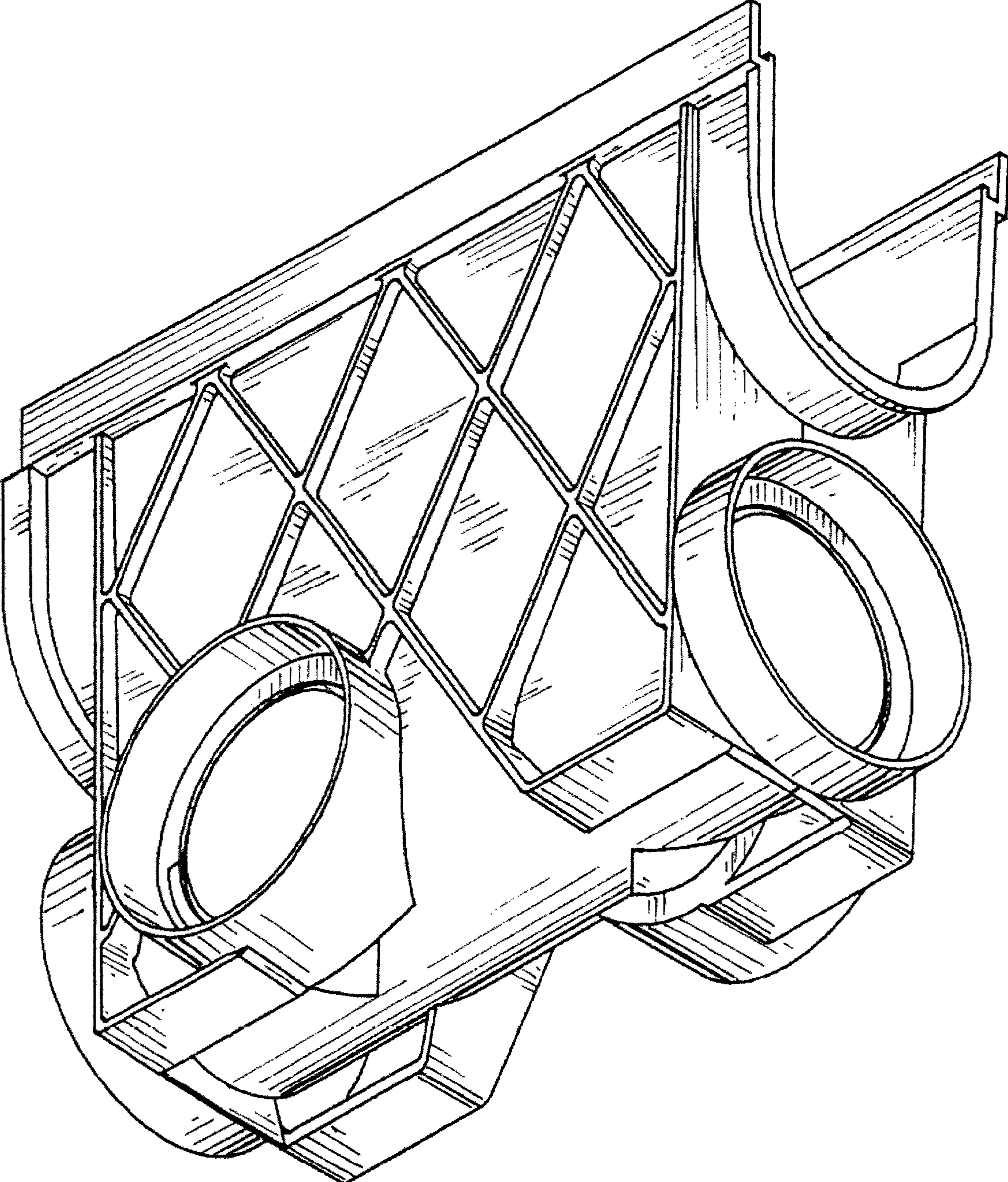


FIG. 2

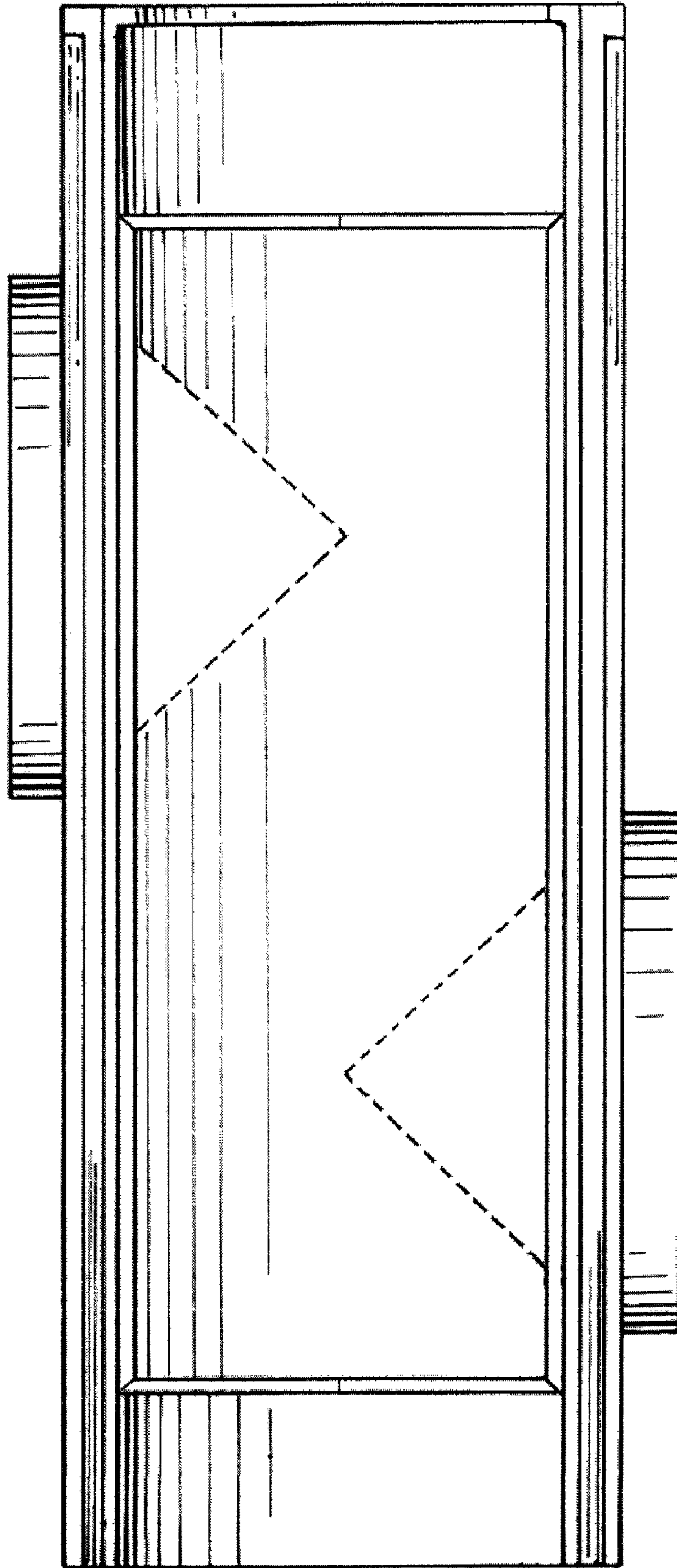


FIG. 3

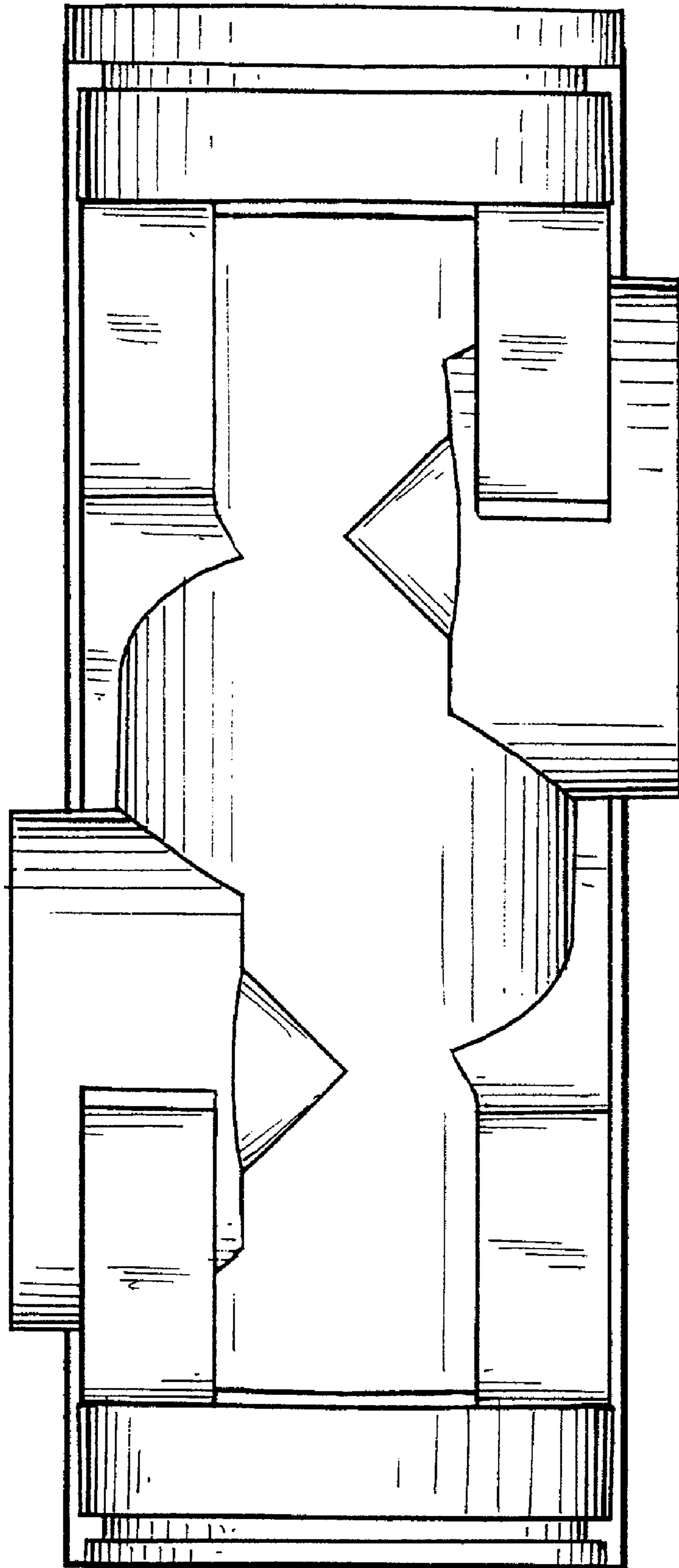


FIG. 4

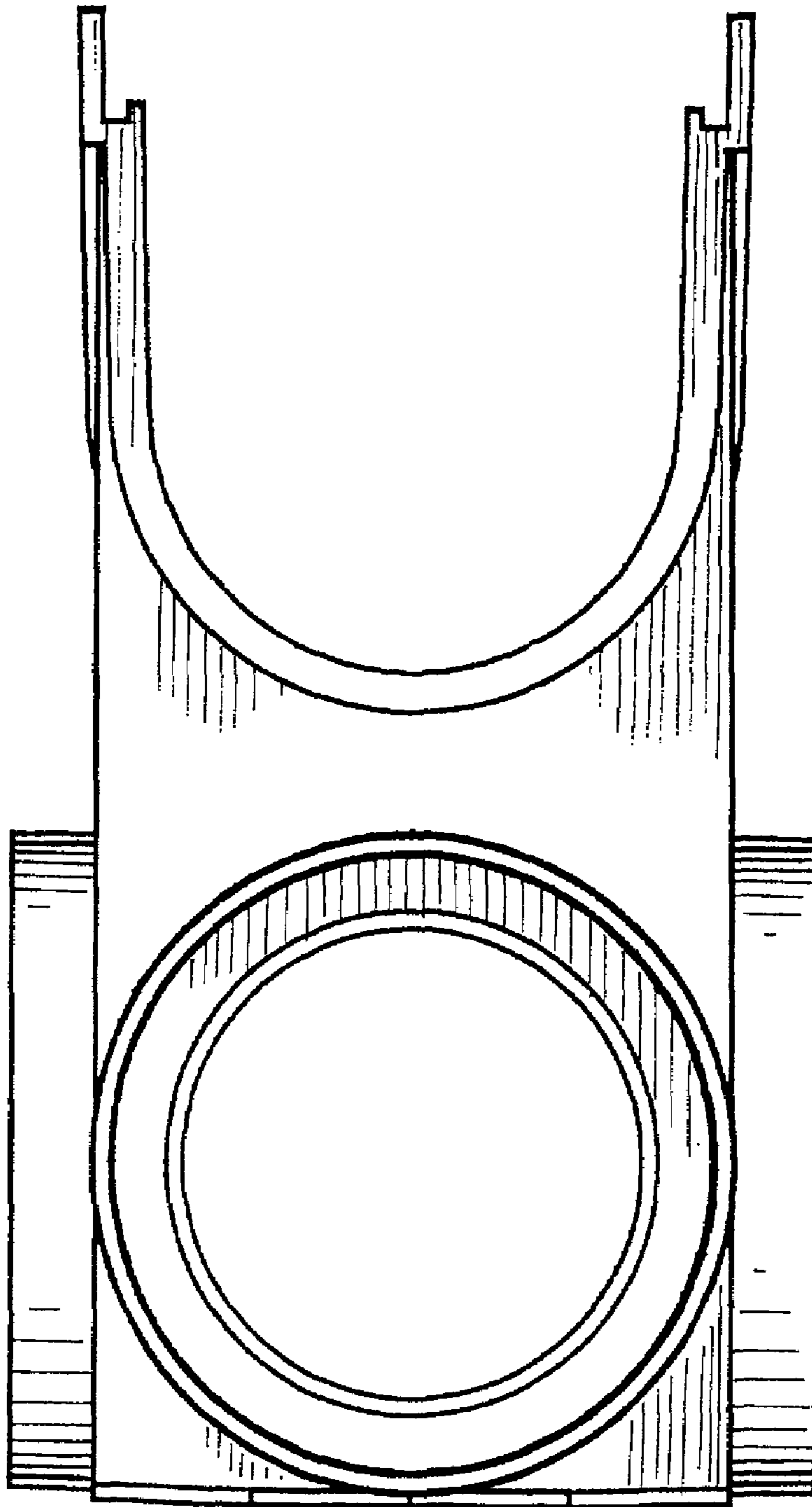


FIG. 5

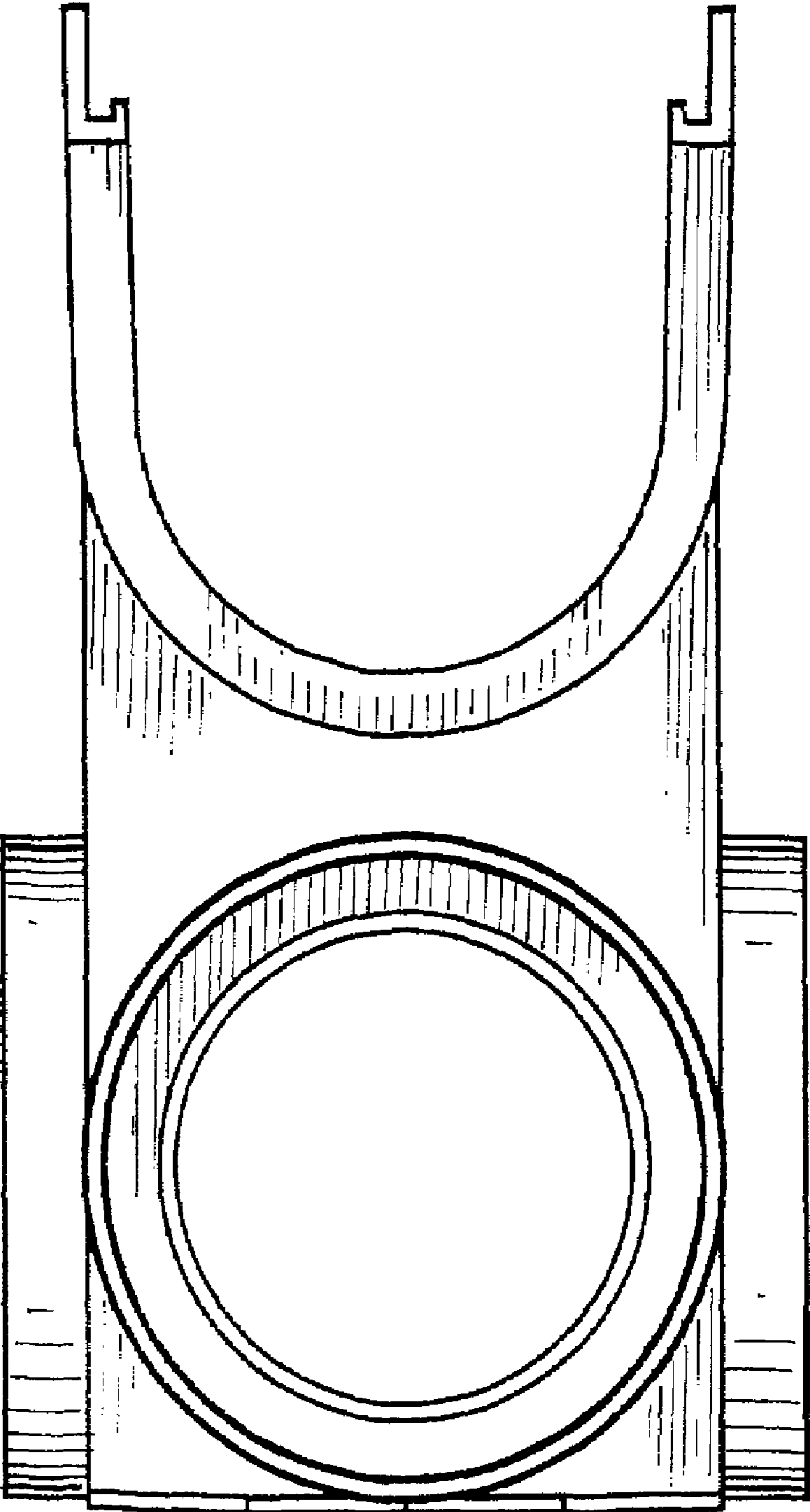


FIG. 6

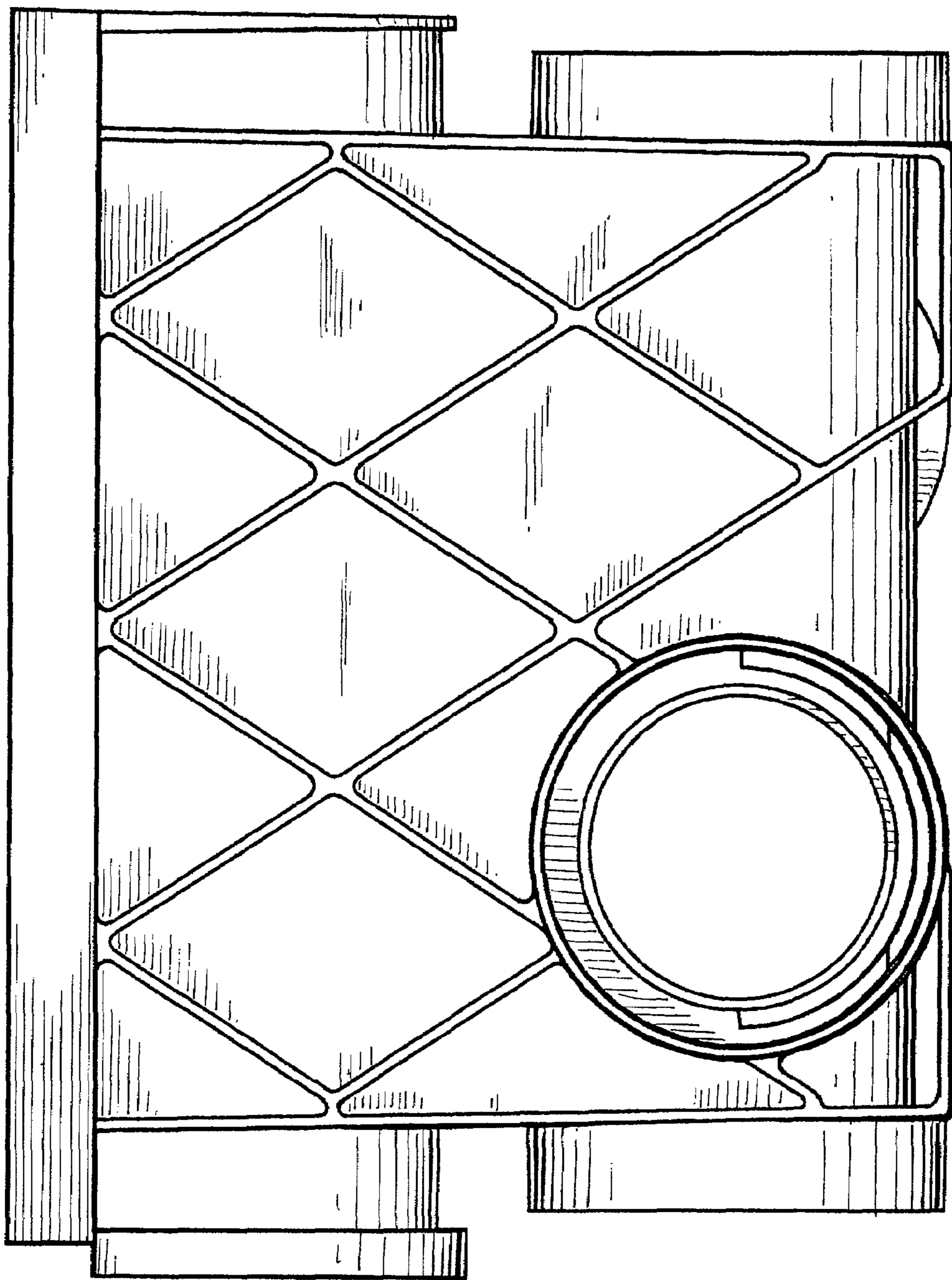


FIG. 7



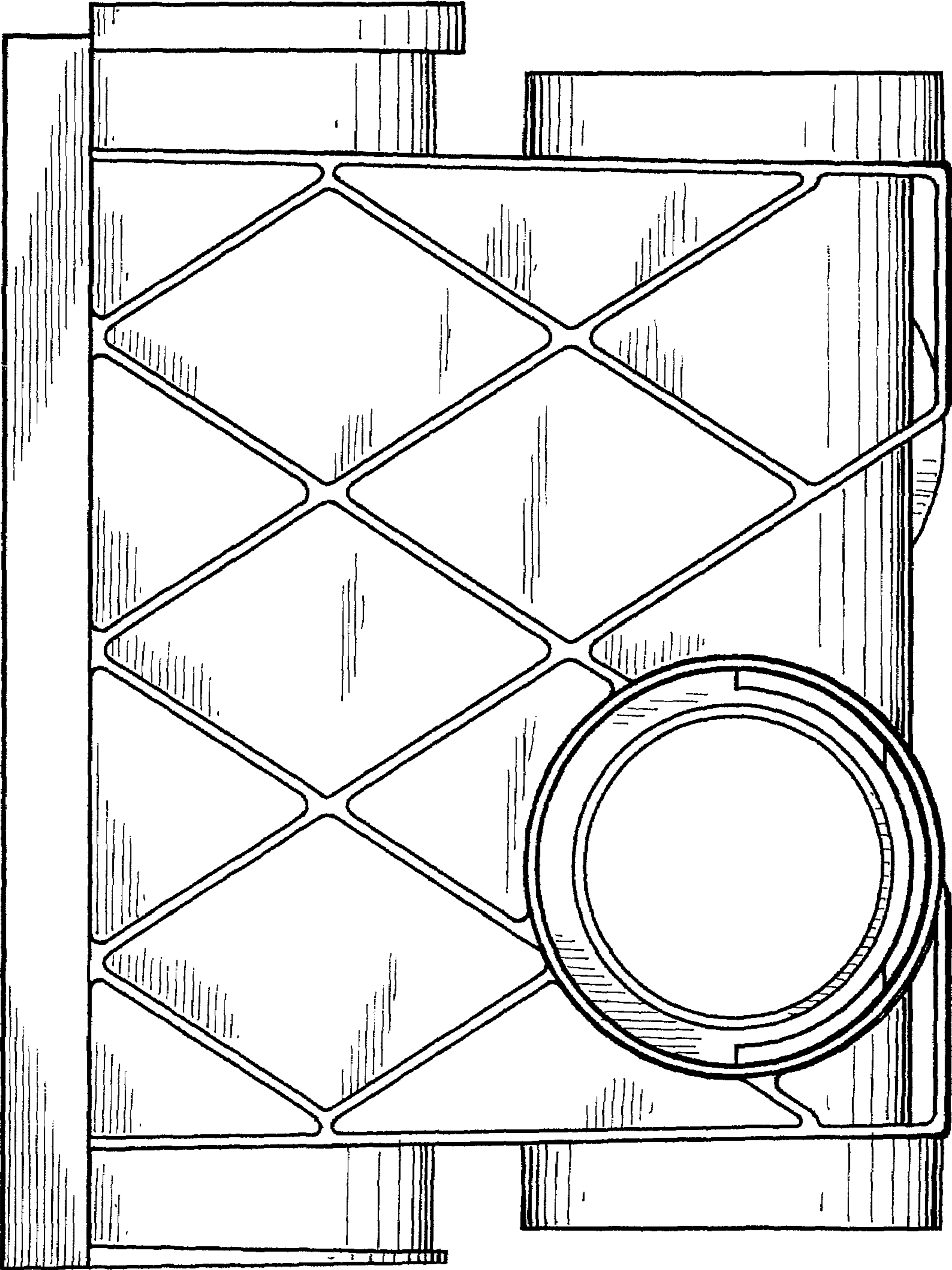


FIG. 8