



US00D583912S

(12) **United States Design Patent**
Beele

(10) **Patent No.:** **US D583,912 S**

(45) **Date of Patent:** **** Dec. 30, 2008**

(54) **FIRE-RESISTANT SEALING PLUG**

(75) Inventor: **Johannes Alfred Beele**, Aalten (NL)

(73) Assignee: **Beele Engineering B.V.** (NL)

(**) Term: **14 Years**

(21) Appl. No.: **29/245,880**

(22) Filed: **Dec. 29, 2005**

(30) **Foreign Application Priority Data**

Jun. 30, 2005 (EM) 000363155

(51) **LOC (8) Cl.** **23-01**

(52) **U.S. Cl.** **D23/260**

(58) **Field of Classification Search** D23/260–261;
D8/387, 397; 222/552, 554, 546, 563; 4/286–287,
4/295; 114/197; 217/10; 220/288; 138/89,
138/91; 277/607, 436, 615

See application file for complete search history.

(56) **References Cited**

U.S. PATENT DOCUMENTS

D35,064 S *	9/1901	Pulcifer	D23/269
D48,004 S *	10/1915	Mueller	D23/269
3,797,286 A *	3/1974	Saporito	70/169
3,964,520 A *	6/1976	Baas	138/89
4,747,606 A *	5/1988	Jennings	277/612
4,751,938 A *	6/1988	Kerns et al.	137/68.25
5,785,322 A *	7/1998	Suggs et al.	277/615
6,330,724 B1 *	12/2001	Belle	4/288
6,361,342 B1 *	3/2002	Cox	439/275
6,409,179 B1 *	6/2002	Daoud	277/602
6,499,511 B2 *	12/2002	Brewis	138/89

6,745,795 B2 *	6/2004	McGiverty	138/89
7,004,948 B1 *	2/2006	Pianca et al.	606/129
7,152,631 B1 *	12/2006	Fails et al.	138/97
7,174,681 B2 *	2/2007	Wilson et al.	52/169.14
2004/0080119 A1 *	4/2004	Goll	277/607
2005/0061823 A1 *	3/2005	Lu	220/801
2005/0248097 A1 *	11/2005	Walsh	277/615
2005/0257315 A1 *	11/2005	Hung	4/295
2006/0193735 A1 *	8/2006	Suzuki et al.	417/481
2007/0000038 A1 *	1/2007	Jordon et al.	4/286
2007/0017589 A1 *	1/2007	Fails et al.	138/97
2007/0050901 A1 *	3/2007	Hung	4/295
2007/0273107 A1 *	11/2007	Beele	277/607

* cited by examiner

Primary Examiner—Louis S Zarfaz

Assistant Examiner—Eric L Goodman

(74) *Attorney, Agent, or Firm*—Wolf Greenfield & Sacks, P.C.

(57) **CLAIM**

The ornamental design for a fire-resistant sealing plug, as shown and described.

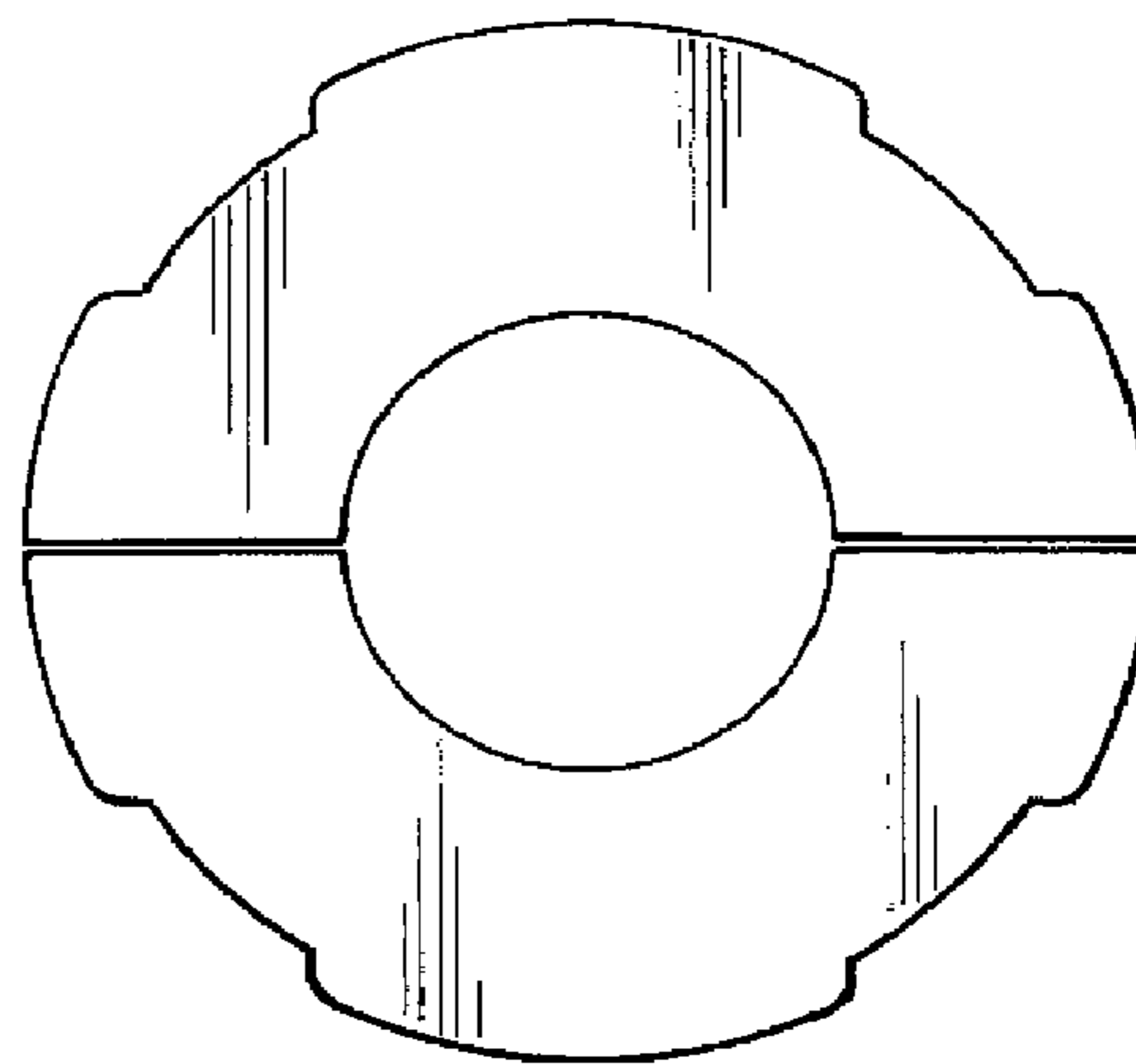
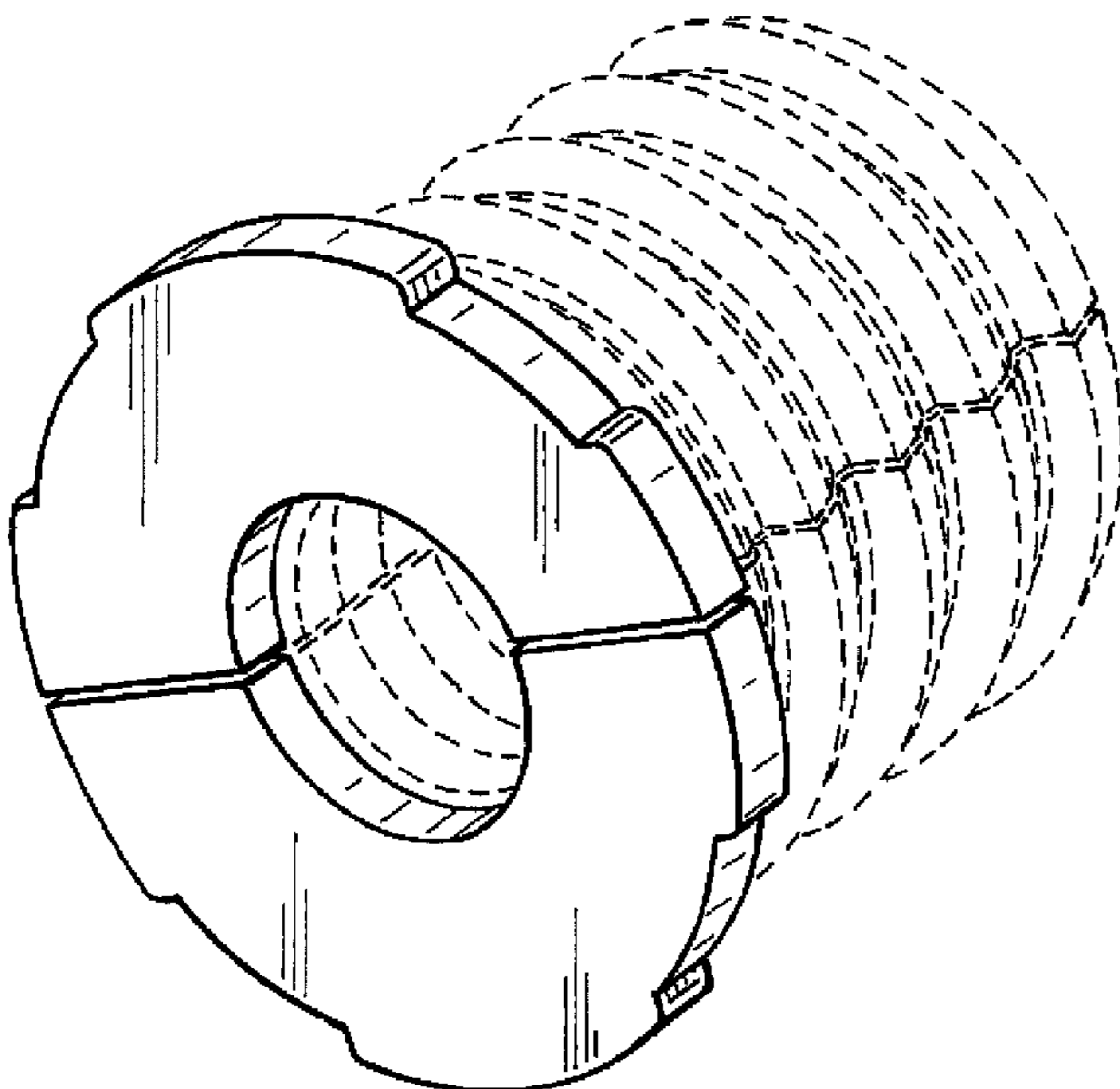
DESCRIPTION

FIG. 1 is a perspective view of a fire-resistant sealing plug showing my new design; and,

FIG. 2 is a front elevational view of the fire resistant sealing plug of FIG. 1.

The subject matter shown in broken lines is for illustrative purposes only and forms no part of the claimed design. The rear view, top view and bottom view (all not shown) form no part of the claimed design.

1 Claim, 2 Drawing Sheets



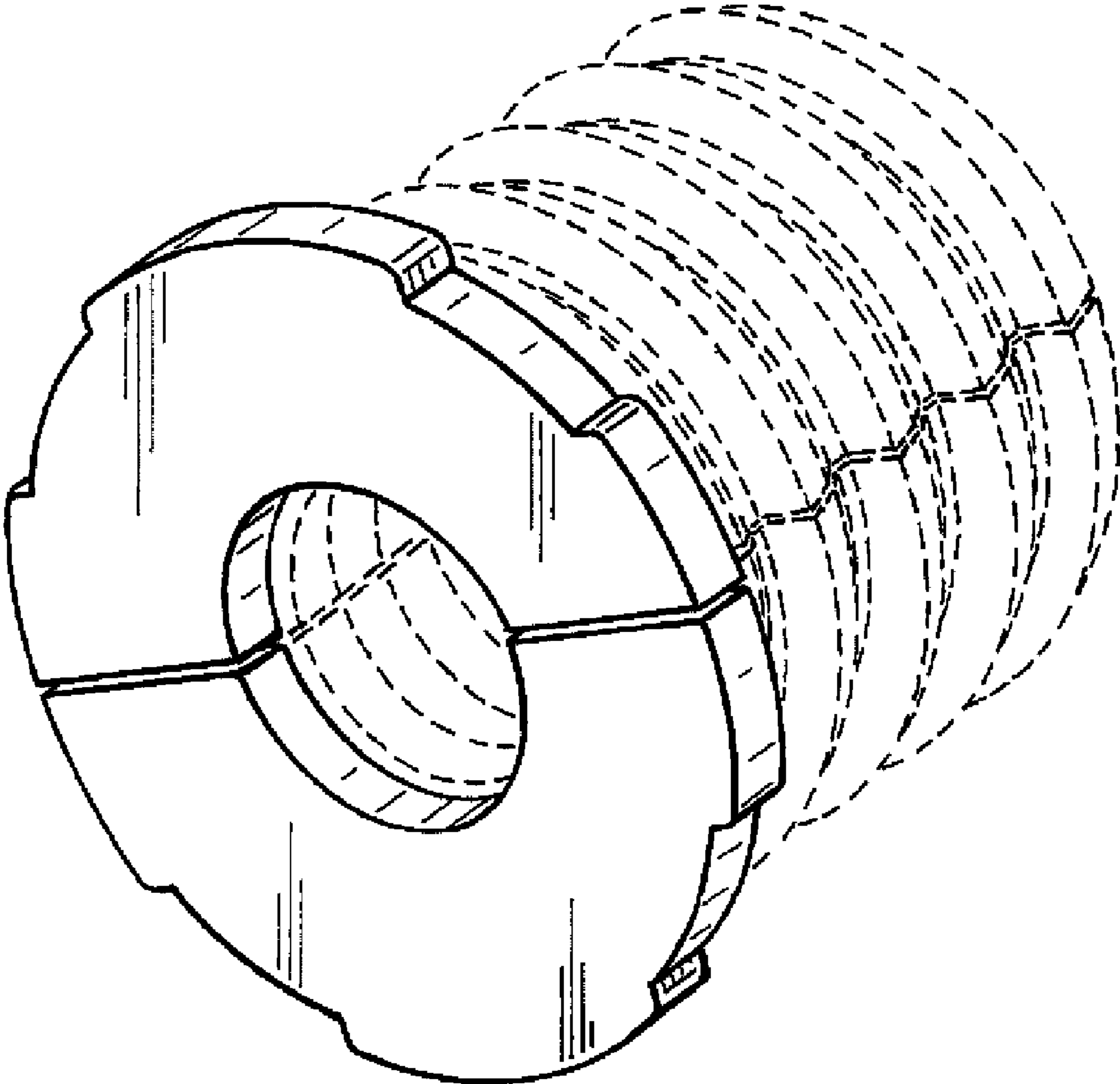


FIG. 1

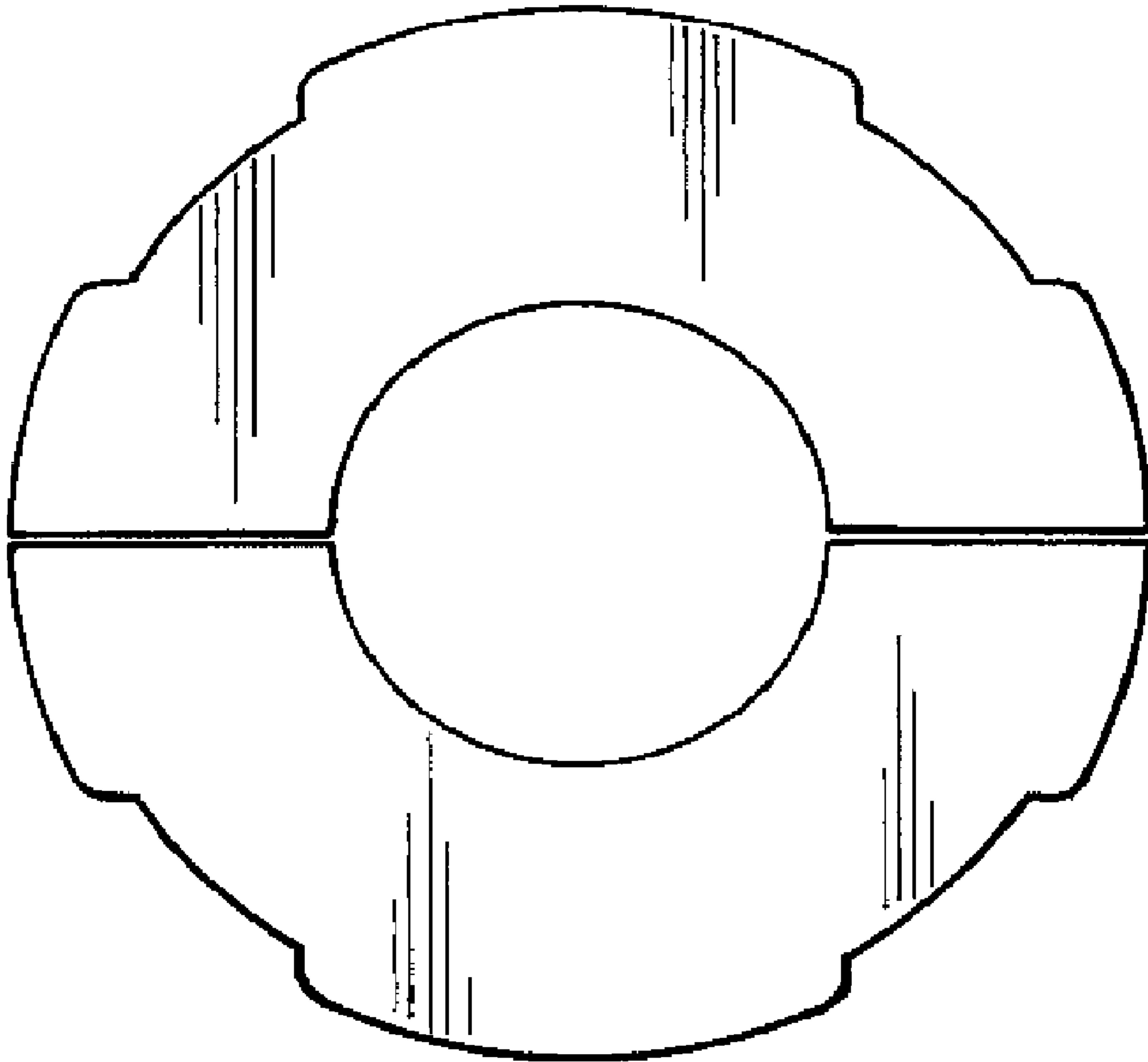


FIG. 2