

US00D583907S

(12) **United States Design Patent**
Citterio

(10) **Patent No.:** **US D583,907 S**
(45) **Date of Patent:** **** Dec. 30, 2008**

(54) **SANITARY FITTING**

D571,437 S * 6/2008 Kristensen et al. D23/242

(75) Inventor: **Antonio Citterio**, Milan (IT)

OTHER PUBLICATIONS

(73) Assignee: **Hansgrohe AG**, Schiltach (DE)

Fantini, "Anteprima 2005" brochure, Sep. 2004.
Fratelli Frattini, "Constellation" brochure, Feb. 2006.
Grohe, "Armaturen für Bad und Küche" brochure, Mar. 2006.

(**) Term: **14 Years**

* cited by examiner

(21) Appl. No.: **29/278,596**

Primary Examiner—Cathron C Brooks

(22) Filed: **Apr. 3, 2007**

Assistant Examiner—Michael A Pratt

(30) **Foreign Application Priority Data**

(74) *Attorney, Agent, or Firm*—Duane Morris LLP

Oct. 6, 2006 (EM) 000601984-0001

(57) **CLAIM**

(51) **LOC (8) Cl.** **23-01**

The ornamental design for a sanitary fitting, as shown and described.

(52) **U.S. Cl.** **D23/238**

(58) **Field of Classification Search** D23/250,
D23/251, 252, 253, 254, 255, 256, 257, 238,
D23/239, 240, 241, 242, 243, 244, 245, 246,
D23/247, 248, 249; D8/300, 307, 308, 310,
D8/311, 312, 321; 4/675, 676, 677, 678;
137/801; D6/550; 16/110.1, 441

DESCRIPTION

See application file for complete search history.

FIG. 1: is a side perspective view of the sanitary fitting showing my new design;

FIG. 2: is a side elevation view thereof;

FIG. 3: is a front elevation view thereof;

FIG. 4: is the opposite side elevation view thereof;

FIG. 5: is a rear elevation view thereof;

FIG. 6: is a top plan view thereof; and,

FIG. 7: is a bottom plan view thereof.

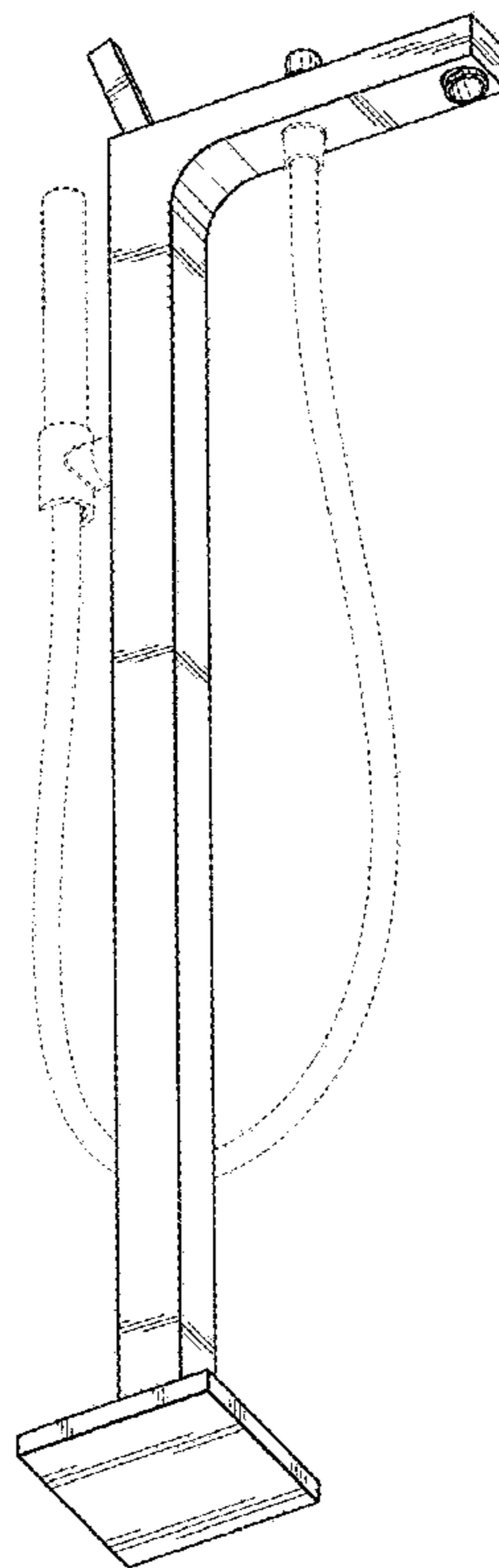
The broken lines are included for the purpose of illustrating environment and form no part of the claimed design.

(56) **References Cited**

U.S. PATENT DOCUMENTS

D478,966 S *	8/2003	Citterio	D23/238
D510,125 S *	9/2005	Messier et al.	D23/238
D514,199 S *	1/2006	Starck	D23/238
D525,342 S *	7/2006	Starck	D23/238
D529,580 S *	10/2006	Shieh	D23/238

1 Claim, 4 Drawing Sheets



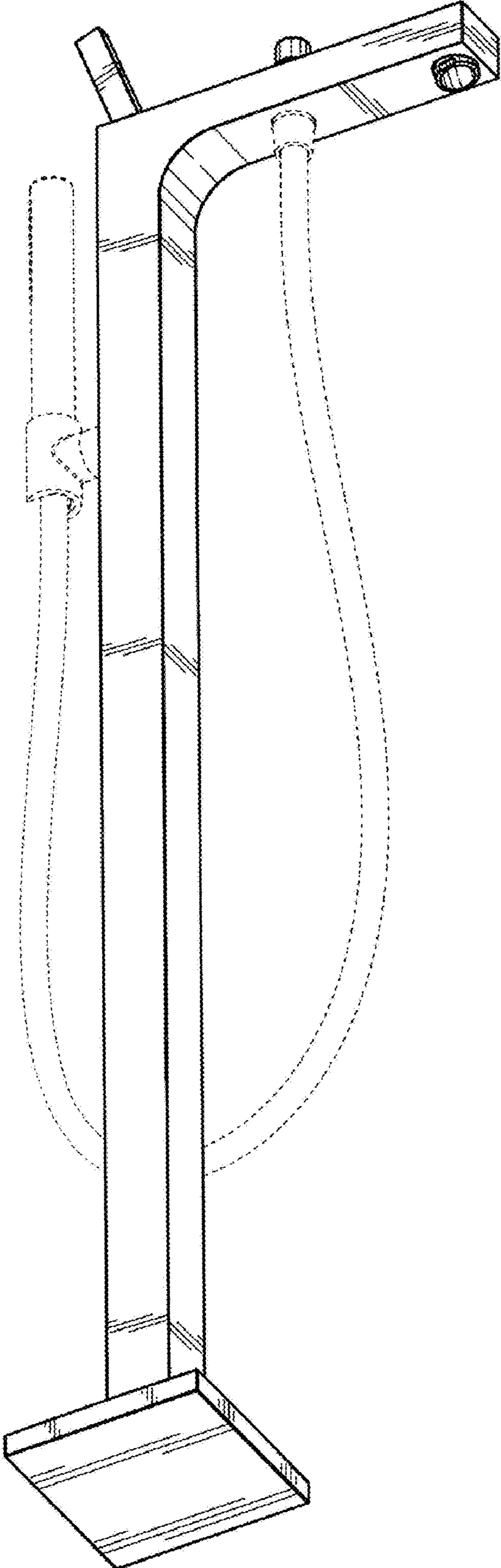


FIG. 1

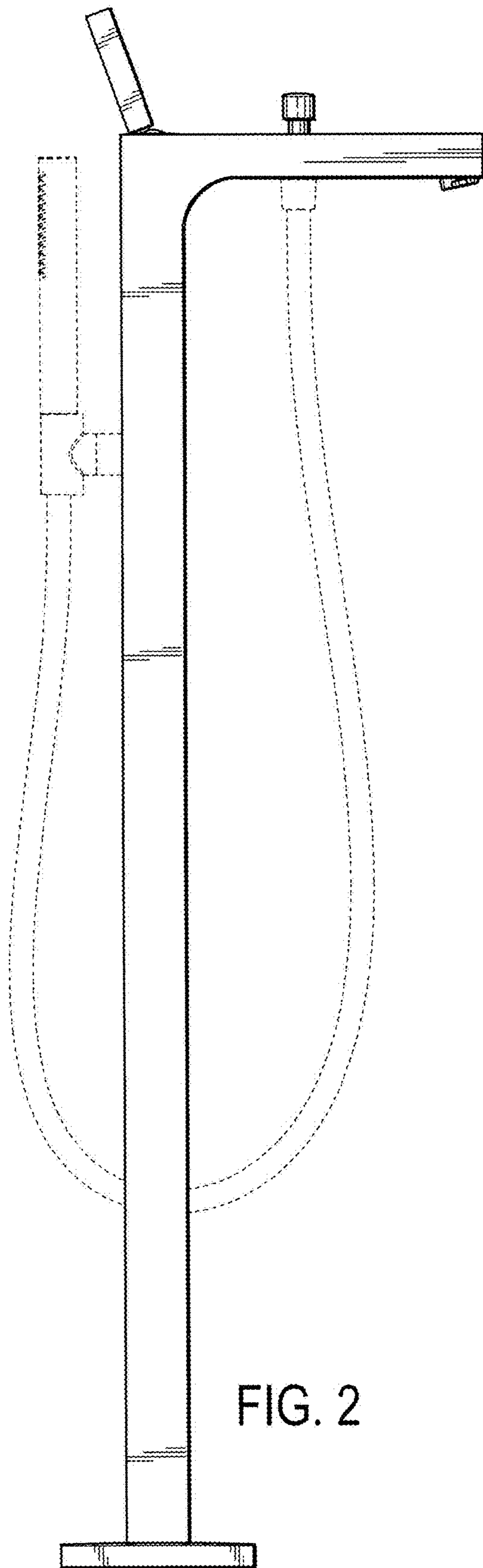
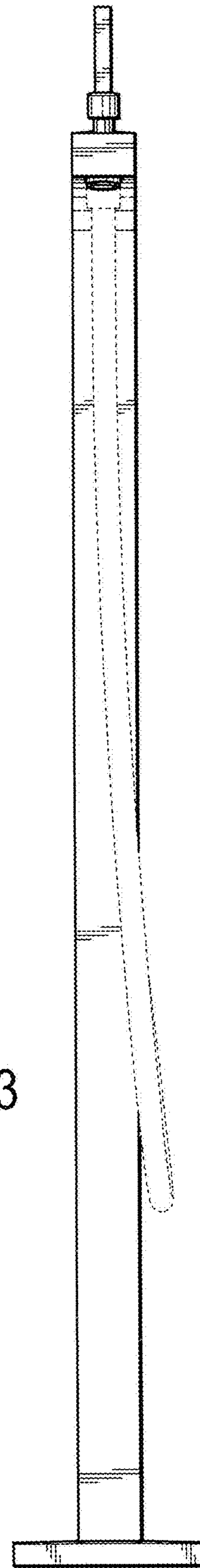


FIG. 2

FIG. 3



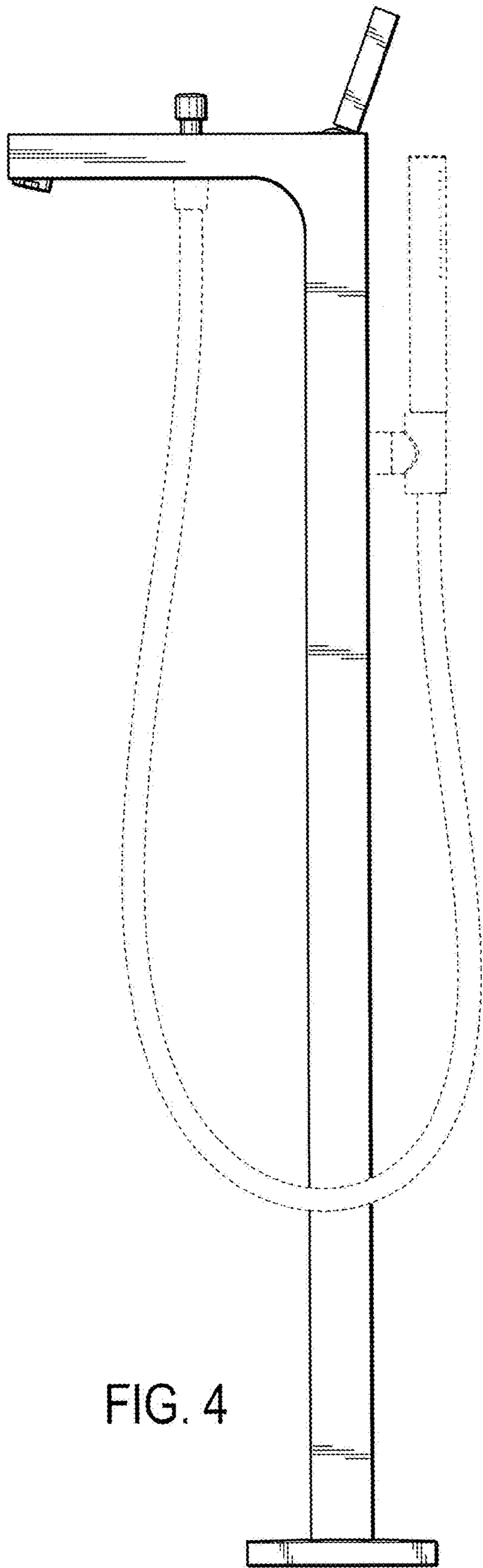


FIG. 4

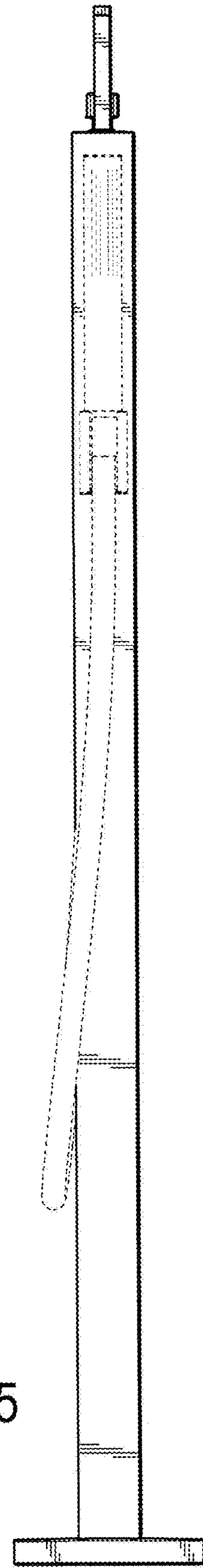


FIG. 5

FIG. 6

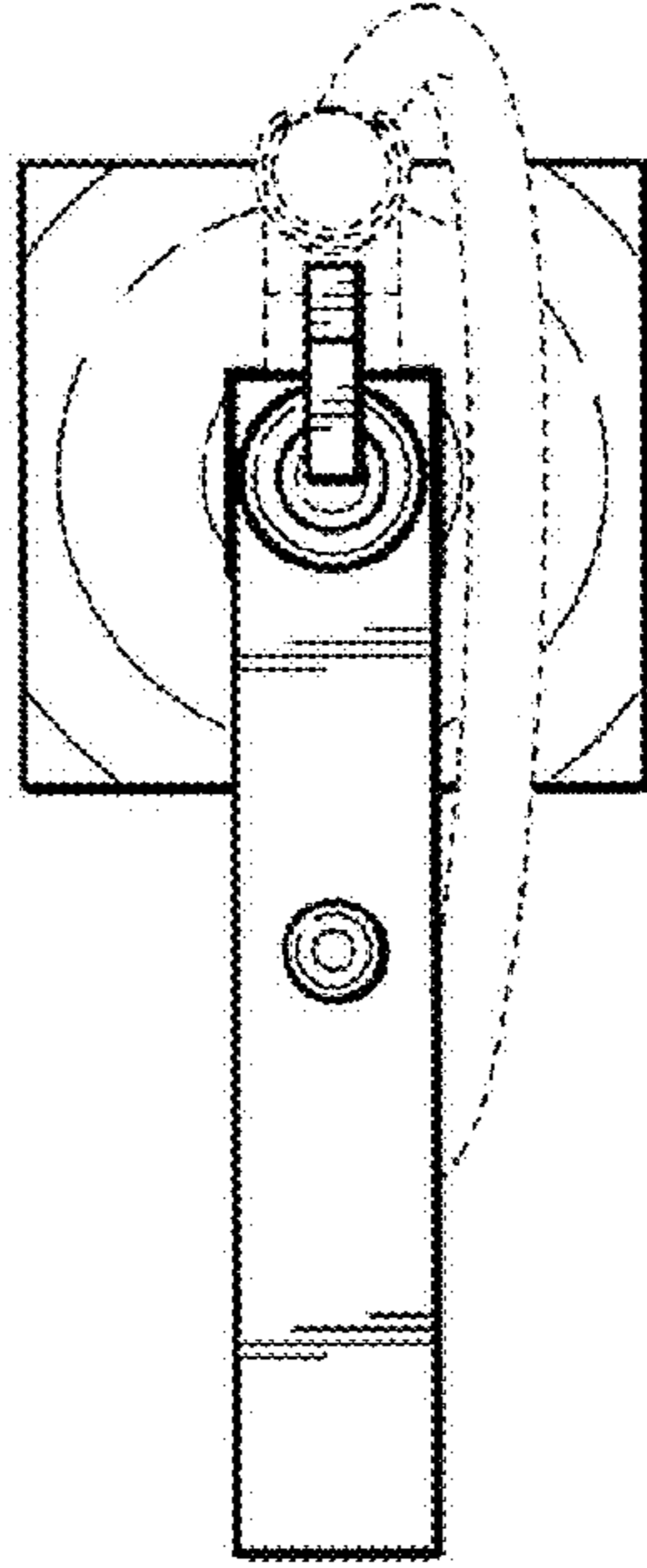


FIG. 7

