



US00D583906S

(12) **United States Design Patent**  
**Oh**

(10) **Patent No.:** **US D583,906 S**

(45) **Date of Patent:** **\*\* Dec. 30, 2008**

(54) **FAUCET**

(75) Inventor: **Jun-Sik Oh**, Seoul (KR)

(73) Assignee: **Daelim Trading Co., Ltd.**, Seoul (KR)

(\*\*) Term: **14 Years**

(21) Appl. No.: **29/274,090**

(22) Filed: **Mar. 28, 2007**

(51) **LOC (8) Cl.** ..... **23-01**

(52) **U.S. Cl.** ..... **D23/238**

(58) **Field of Classification Search** ..... D6/512,  
D6/546, 550; D8/300, 307-308, 310-312,  
D8/321; D23/200, 222, 229, 238-257; 4/75-678;  
137/801; 16/110.1, 441  
See application file for complete search history.

(56) **References Cited**

**U.S. PATENT DOCUMENTS**

D301,162 S *	5/1989	Oberdorfer	.....	D23/238
D320,259 S *	9/1991	Delepine	.....	D23/238
D330,935 S *	11/1992	Delepine	.....	D23/238
D360,678 S *	7/1995	Mine	.....	D23/238
D441,429 S *	5/2001	Mullenmeister	.....	D23/238
D489,432 S *	5/2004	Lammel et al.	.....	D23/255
D517,169 S *	3/2006	Ogata et al.	.....	D23/238
D526,388 S *	8/2006	Haug et al.	.....	D23/238

D529,994 S *	10/2006	Kulig	.....	D23/238
D534,619 S *	1/2007	Garner	.....	D23/238
D541,906 S *	5/2007	Qing	.....	D23/238
D548,308 S *	8/2007	Hoernig	.....	D23/238
D550,812 S *	9/2007	Haug et al.	.....	D23/238

\* cited by examiner

*Primary Examiner*—Robert A. Delehanty

*Assistant Examiner*—Mark Cavanna

(74) *Attorney, Agent, or Firm*—Arent Fox LLP

(57) **CLAIM**

The ornamental design for a faucet, as shown and described.

**DESCRIPTION**

FIG. 1 is a front view of a faucet showing my new design.

FIG. 2 is a rear view thereof.

FIG. 3 is a left side view thereof.

FIG. 4 is a right side view thereof.

FIG. 5 is a plane view thereof.

FIG. 6 is a bottom view thereof; and,

FIG. 7 is a perspective view thereof.

The broken lines in FIGS. 1, 5, 6, and 7 are included for the purpose of illustrating a portion of the faucet that forms no part of the claimed design.

**1 Claim, 7 Drawing Sheets**

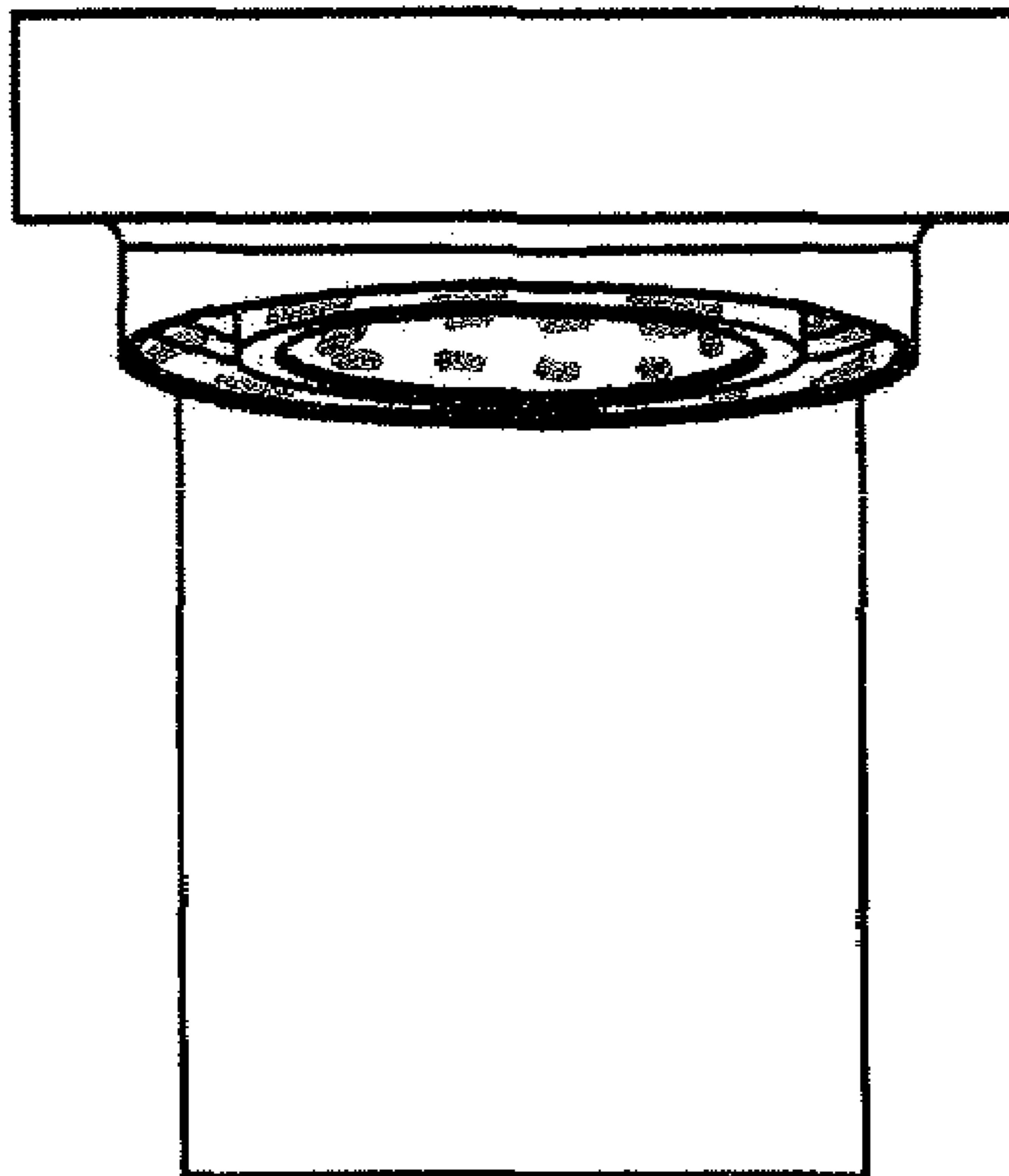
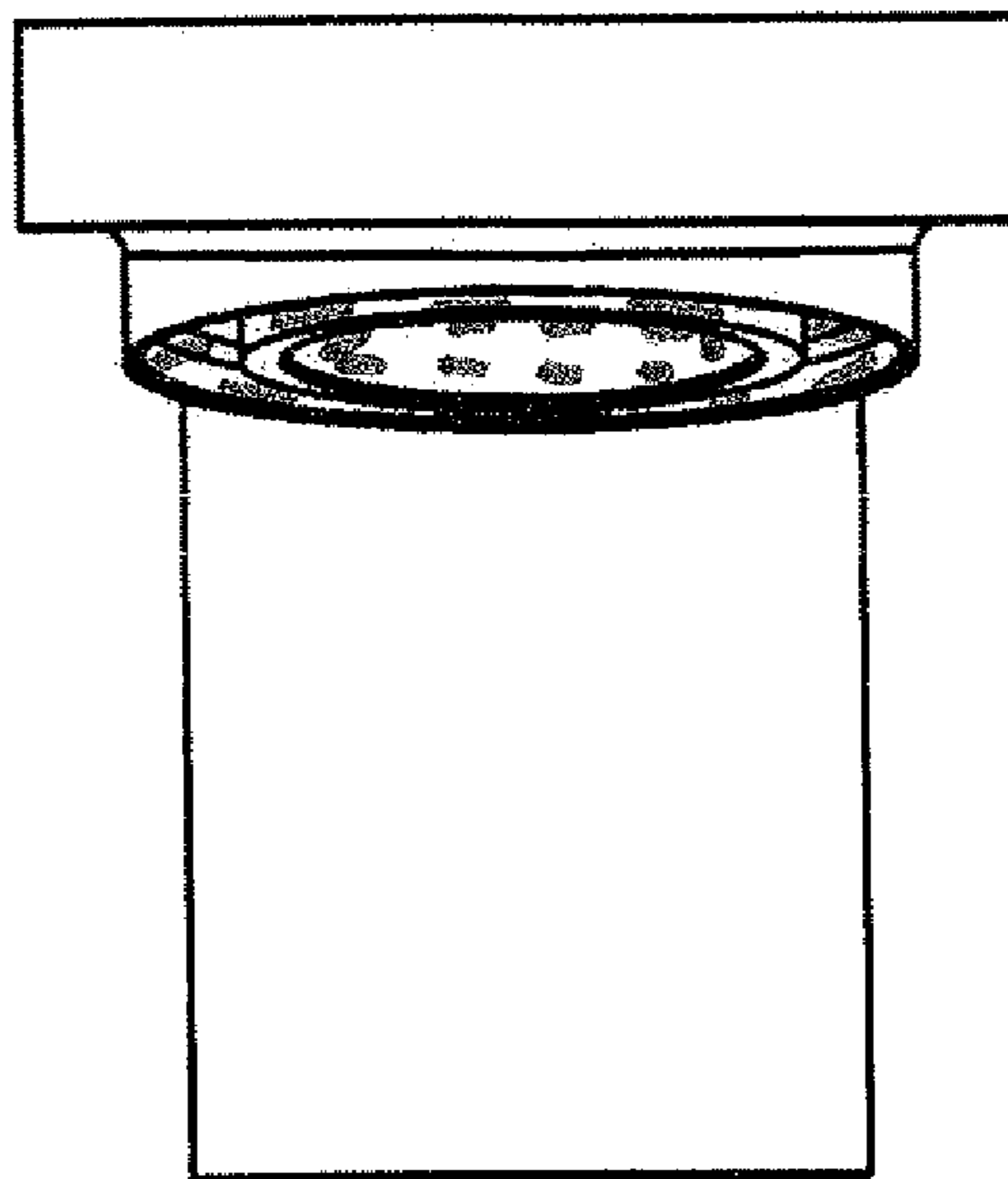


FIGURE 1



# FIGURE 2

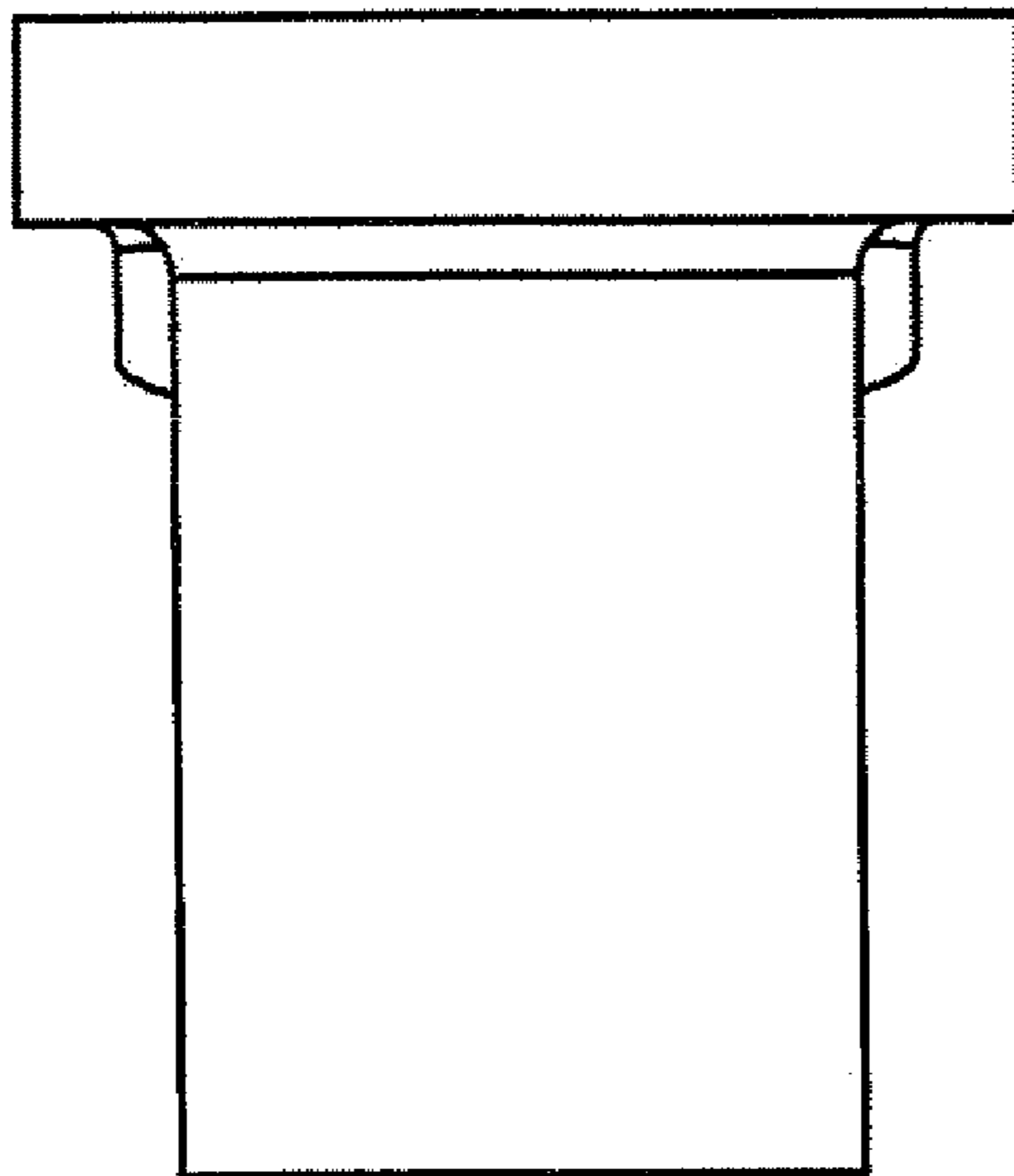


FIGURE 3

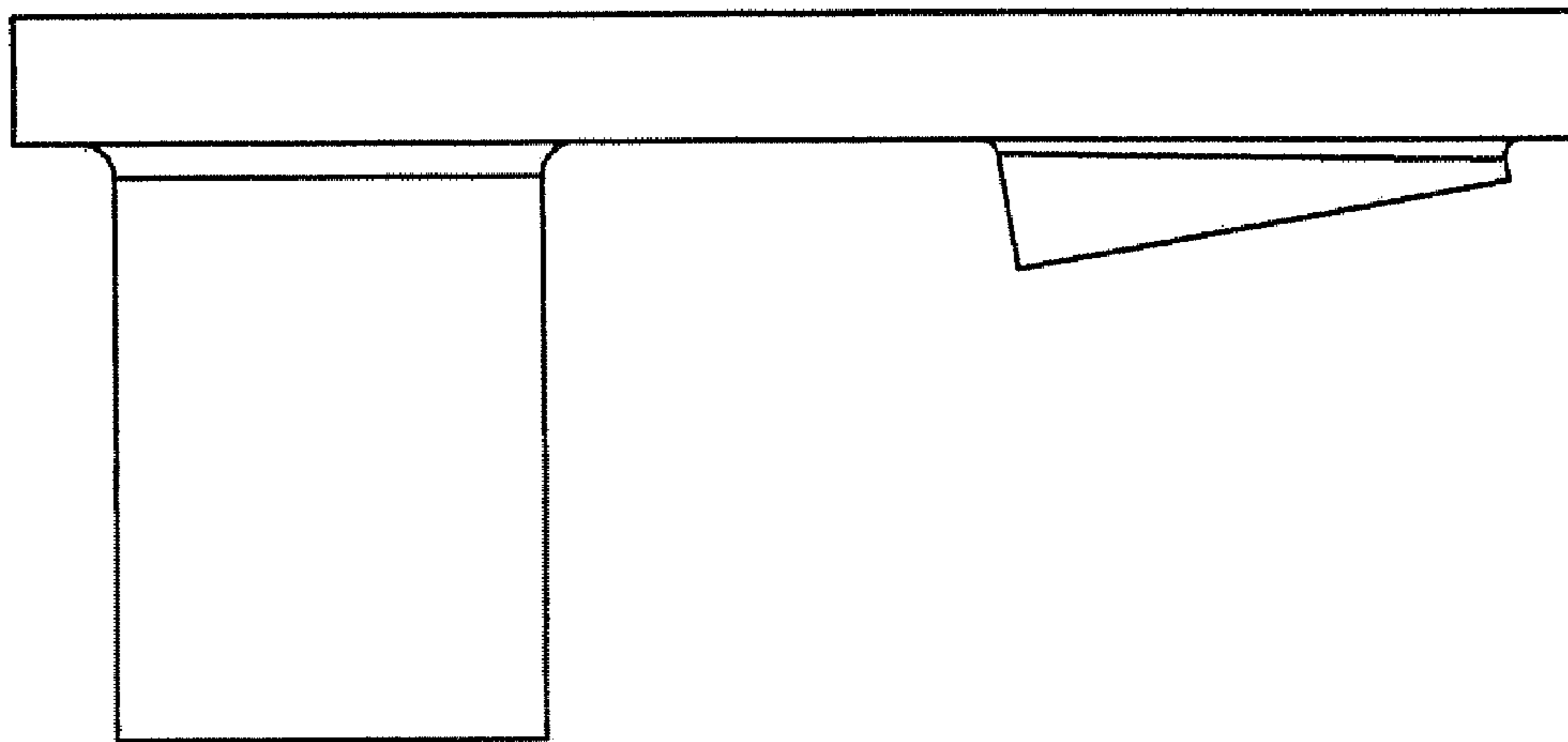


FIGURE 4

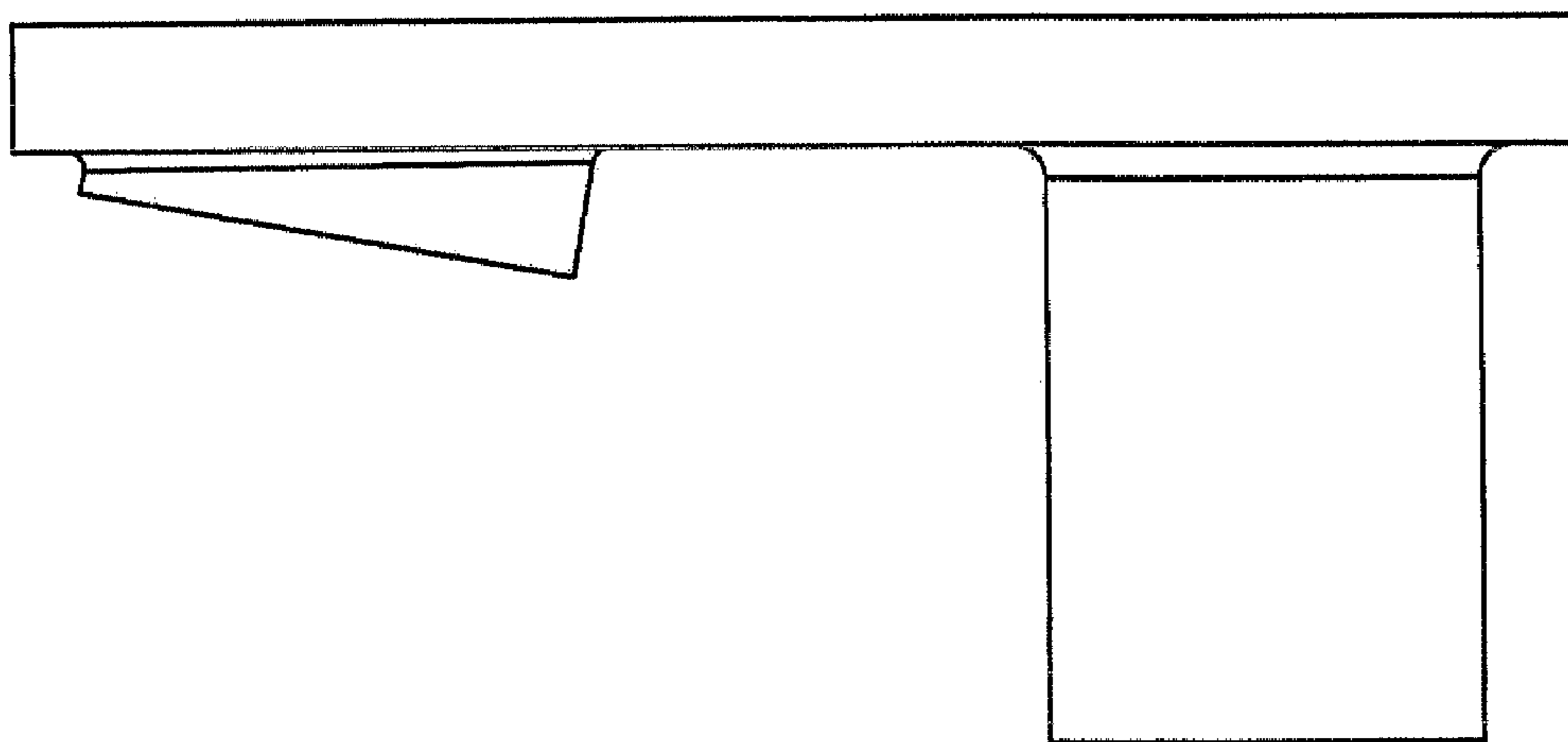


FIGURE 5

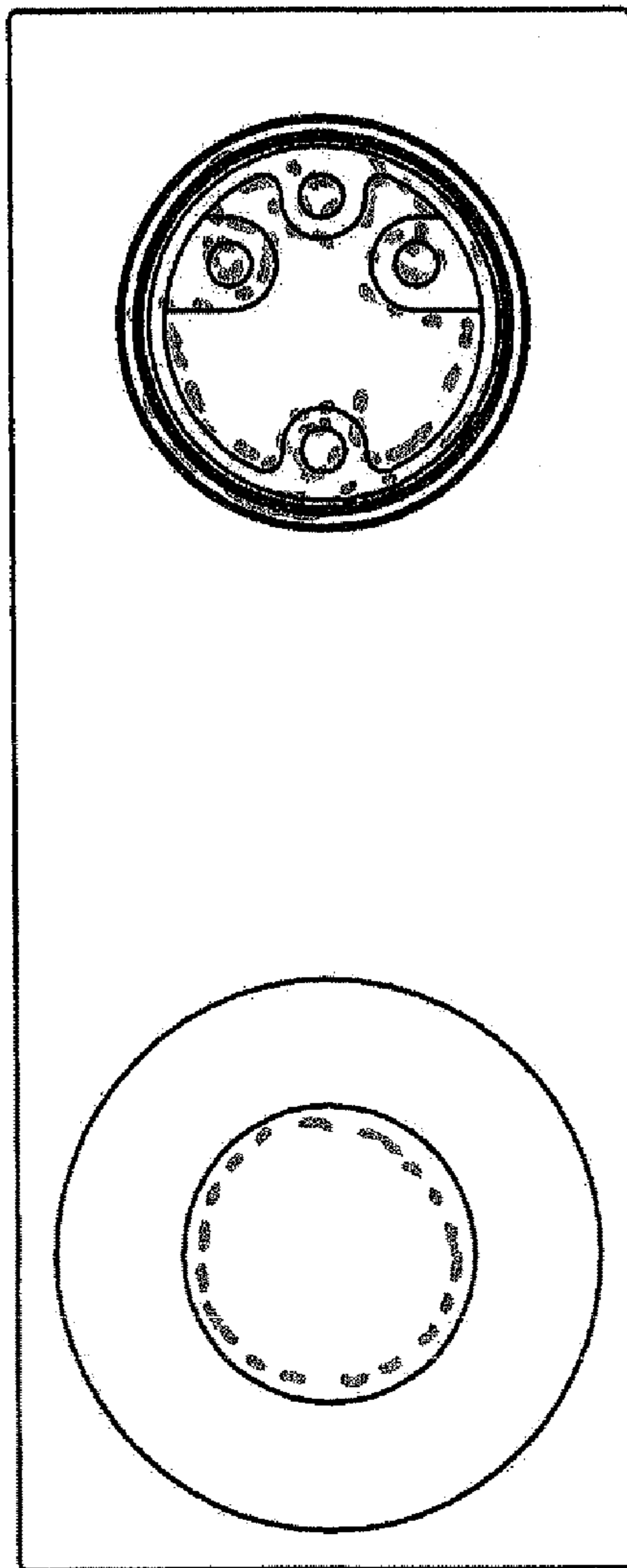


FIGURE 6

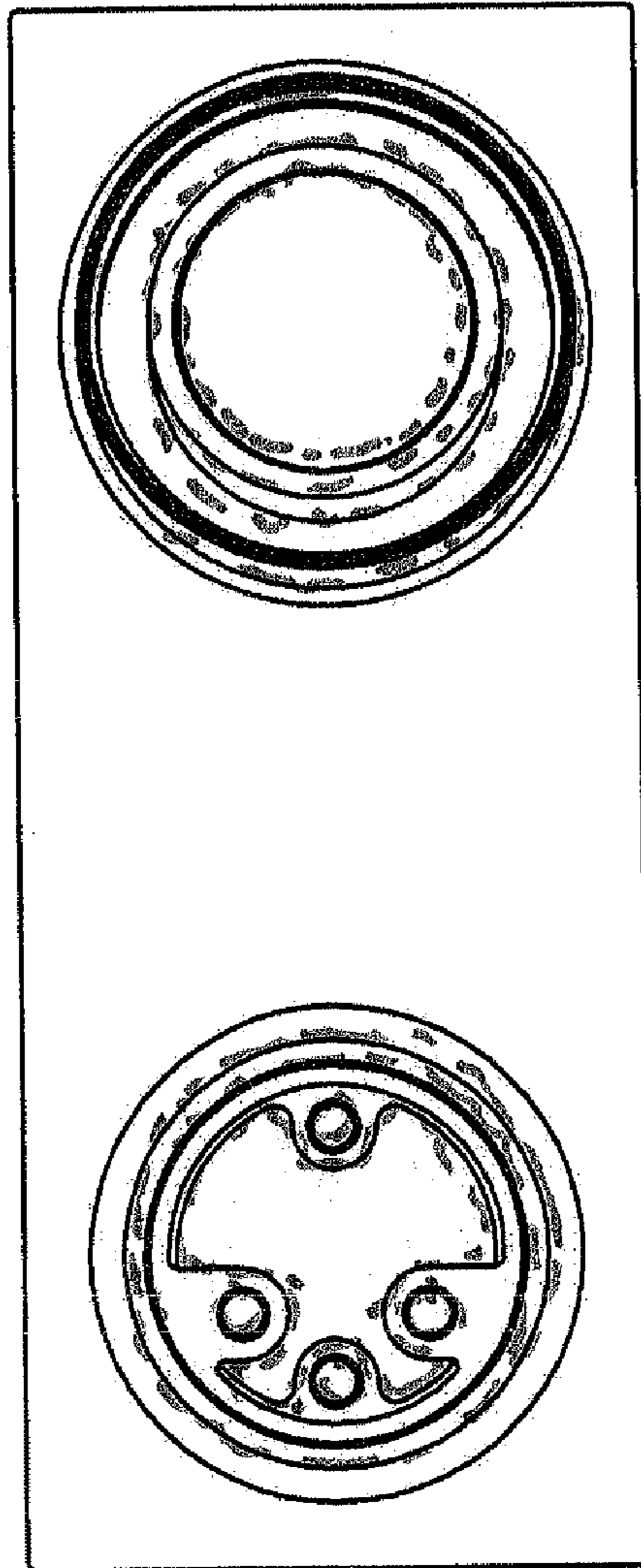


FIGURE 7

