



US00D583903S

(12) **United States Design Patent**
Sparks et al.

(10) **Patent No.:** **US D583,903 S**
(45) **Date of Patent:** **** Dec. 30, 2008**

(54) **BOTTLE HOLDER**

(75) Inventors: **Evan A. Sparks**, Madison, WI (US);
Timothy R. Ordiway, Racine, WI (US);
Stephen B. Leonard, Franksville, WI
(US); **Doug Birkholz**, Madison, WI
(US); **Jeffrey L. Crull**, McFarland, WI
(US)

6,178,564 B1 1/2001 Leonard et al.
6,230,334 B1 5/2001 Camp et al.
D444,978 S 7/2001 Kauzlarich et al.
6,389,610 B1 5/2002 Hautmann et al.
6,434,758 B2 8/2002 Camp et al.
6,505,356 B1 1/2003 Leonard et al.
6,519,783 B2 2/2003 Falchieri

(Continued)

(73) Assignee: **S.C. Johnson & Son, Inc.**, Racine, WI
(US)

Primary Examiner—Brian N Vinson

(**) Term: **14 Years**

(57) **CLAIM**

(21) Appl. No.: **29/302,688**

The ornamental design for a bottle holder, as shown and described.

(22) Filed: **Jan. 22, 2008**

DESCRIPTION

Related U.S. Application Data

In a preferred embodiment, the nature of the product is a holder for a bottle suitable to be placed in a bathroom. In a most preferred form, the holder also dispenses fluid from the bottle in an automated fashion.

(63) Continuation-in-part of application No. 29/289,752, filed on Jul. 31, 2007.

FIG. 1 is a top, right, front perspective view of an embodiment of a bottle holder embodying our new design;

(51) **LOC (8) Cl.** **23-03**

(52) **U.S. Cl.** **D23/208**

FIG. 2 is a front elevational view thereof;

(58) **Field of Classification Search** D23/207,

D23/208; 4/223, 231, 225.1, 227.1

FIG. 3 is a right elevational view thereof;

See application file for complete search history.

FIG. 4 is a left elevational view thereof;

FIG. 5 is a rear elevational view thereof;

(56) **References Cited**

U.S. PATENT DOCUMENTS

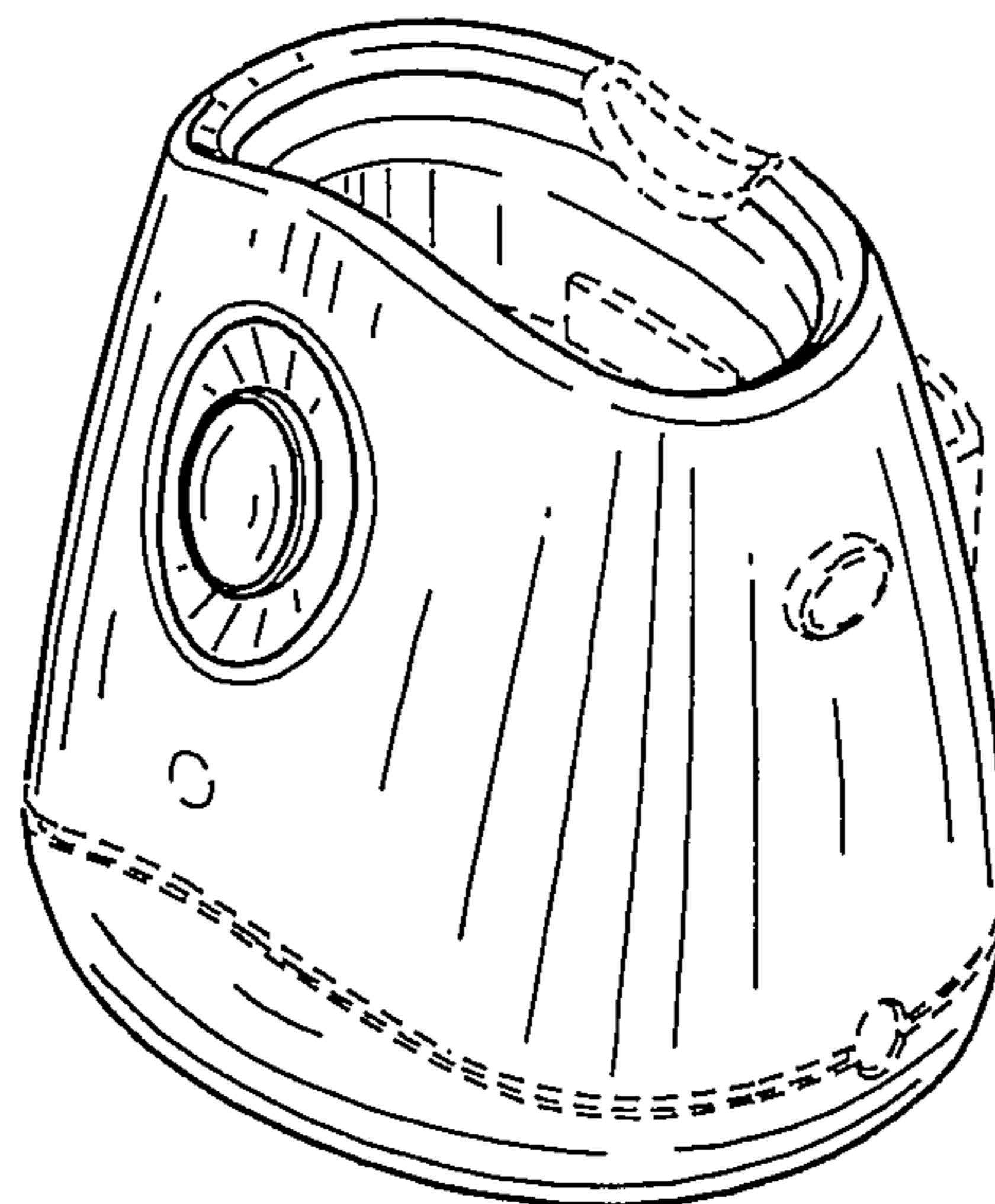
3,342,379 A 9/1967 Folev
D217,872 S 6/1970 Sessions
D228,994 S 11/1973 Reinecke et al.
RE32,017 E 11/1985 Hautmann et al.
4,555,819 A 12/1985 Weiss et al.
4,560,108 A 12/1985 Rubinstein
4,660,765 A 4/1987 Rosenberg
4,763,839 A 8/1988 Greenberg
4,817,869 A 4/1989 Rubinstein
D419,347 S 1/2000 Leonard
D423,639 S 4/2000 Leonard
D436,160 S 1/2001 Leonard et al.

FIG. 6 is a top plan view thereof; and,

FIG. 7 is a bottom plan view thereof.

The broken line representations of a push button in FIGS. 3, 5 and 6, of bottle holder mating structure in FIGS. 1–5, of a light in FIGS. 1, and 2, of a screw hole in FIGS. 1, and 3, of a bottle receiving wall structure in FIG. 1, of bottle holder support structures in FIGS. 2–5, and 7, of a bottle holding notch in FIGS. 1 and 3–6, of a hook mounting structure in FIGS. 1, and 3–7, and of bottle mounting structure in FIG. 6, are for illustrative purposes only and form no part of the claimed design.

1 Claim, 5 Drawing Sheets



US D583,903 S

Page 2

U.S. PATENT DOCUMENTS						
			6,976,277	B2	12/2005	Keramidas
			7,021,494	B2	4/2006	Mazooji et al.
			7,114,199	B2	10/2006	Conway et al.
			D540,907	S	4/2007	Liu
			7,234,175	B2	6/2007	Wilson et al.
			D565,693	S *	4/2008	Keramidas D23/208
			D568,960	S *	5/2008	Cheung et al. D23/208
			2002/0083514	A1	7/2002	Lhoste
			2007/0136937	A1	6/2007	Sawalski et al.
			2007/0234470	A1	10/2007	Sawalski et al.
						* cited by examiner
D477,956	S	8/2003	Gridale et al.			
D481,896	S	11/2003	Shaanan			
6,651,261	B1	11/2003	Leonard et al.			
6,691,329	B2	2/2004	Slade			
D498,566	S *	11/2004	Schick et al.	D23/208		
6,820,821	B2	11/2004	Linstedt et al.			
D499,295	S	12/2004	Gridale et al.			
6,898,806	B2	5/2005	Keramidas			
D508,549	S *	8/2005	Keramidas D23/208			

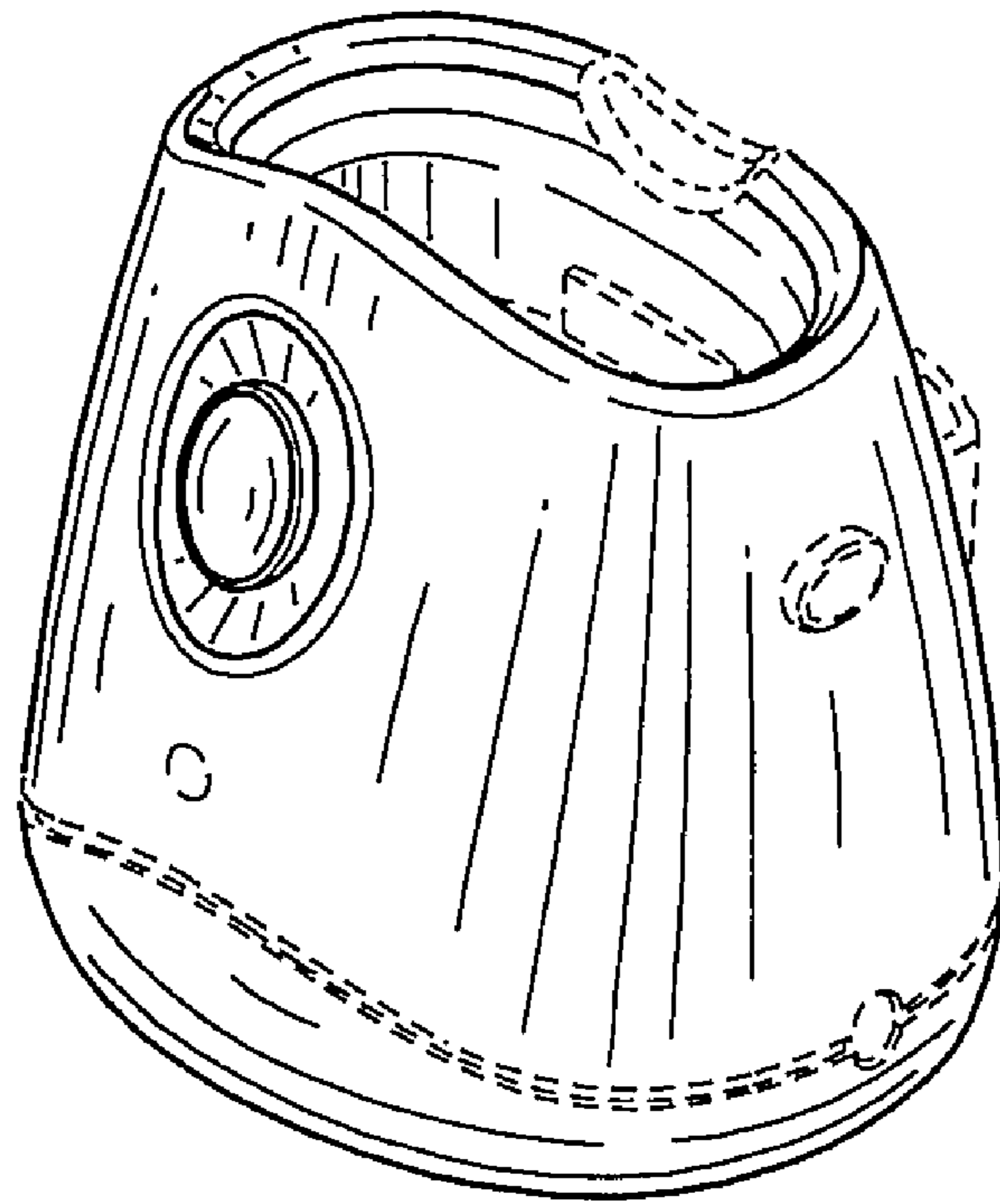


FIG. 1

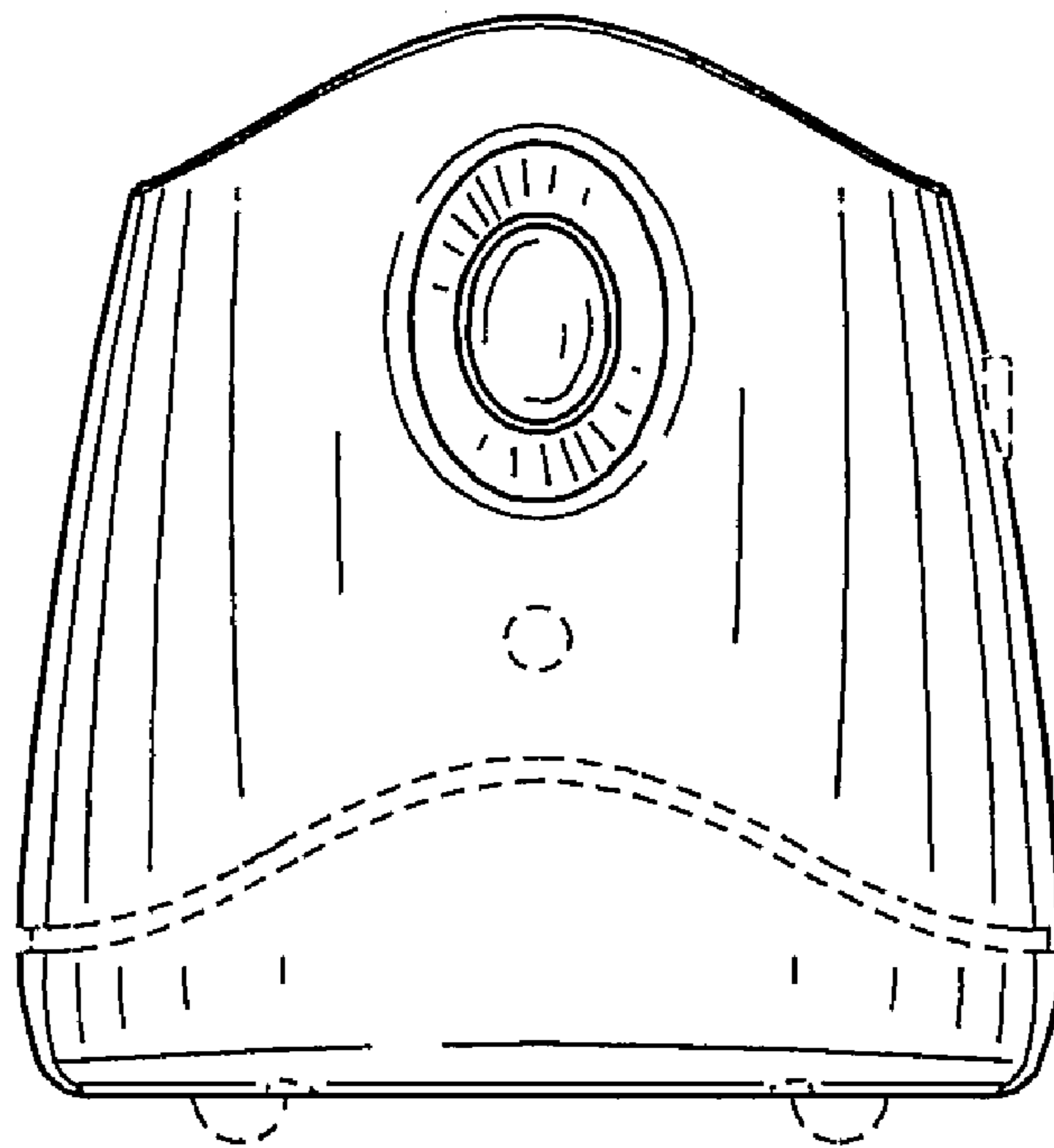


FIG. 2

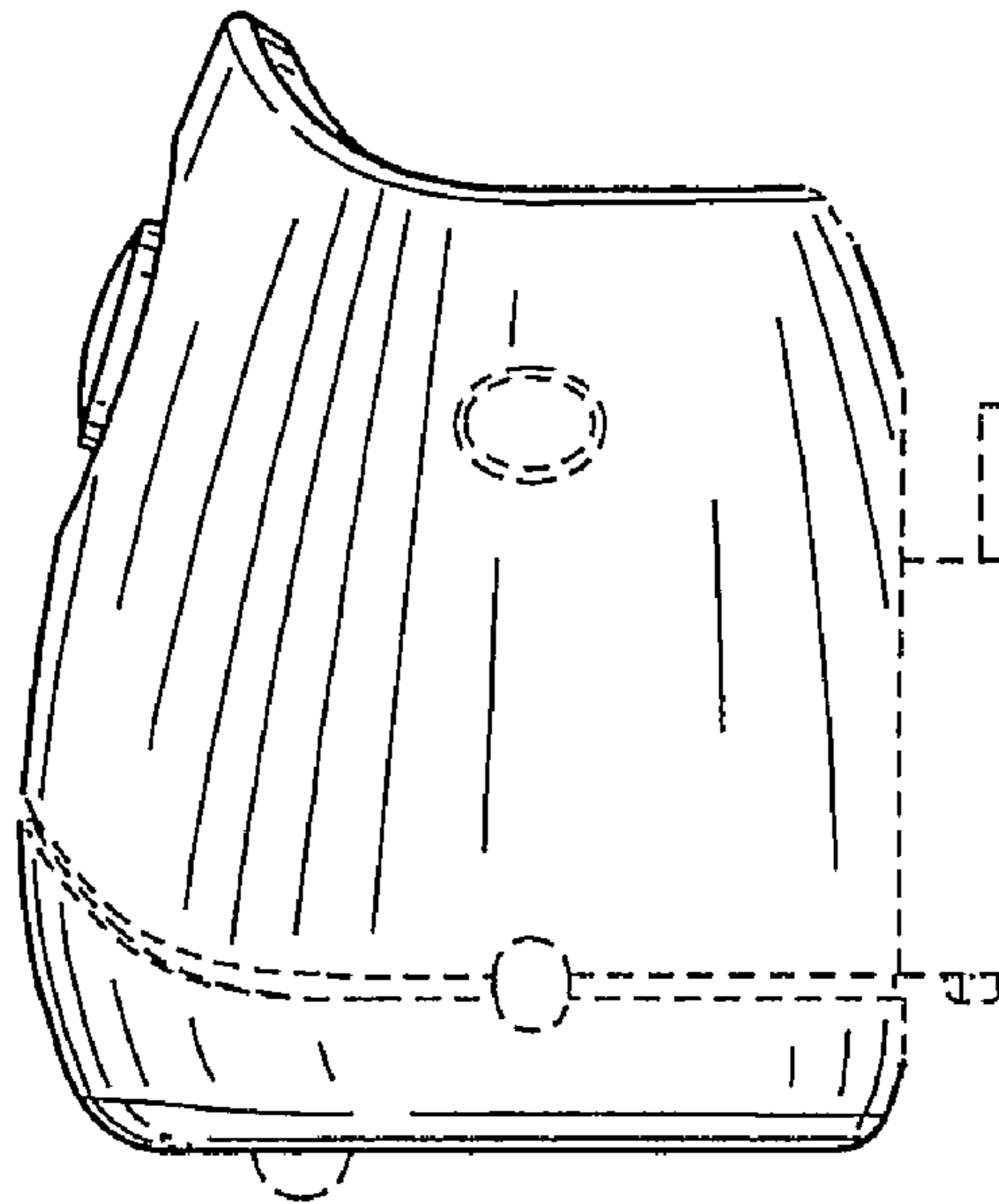


FIG. 3

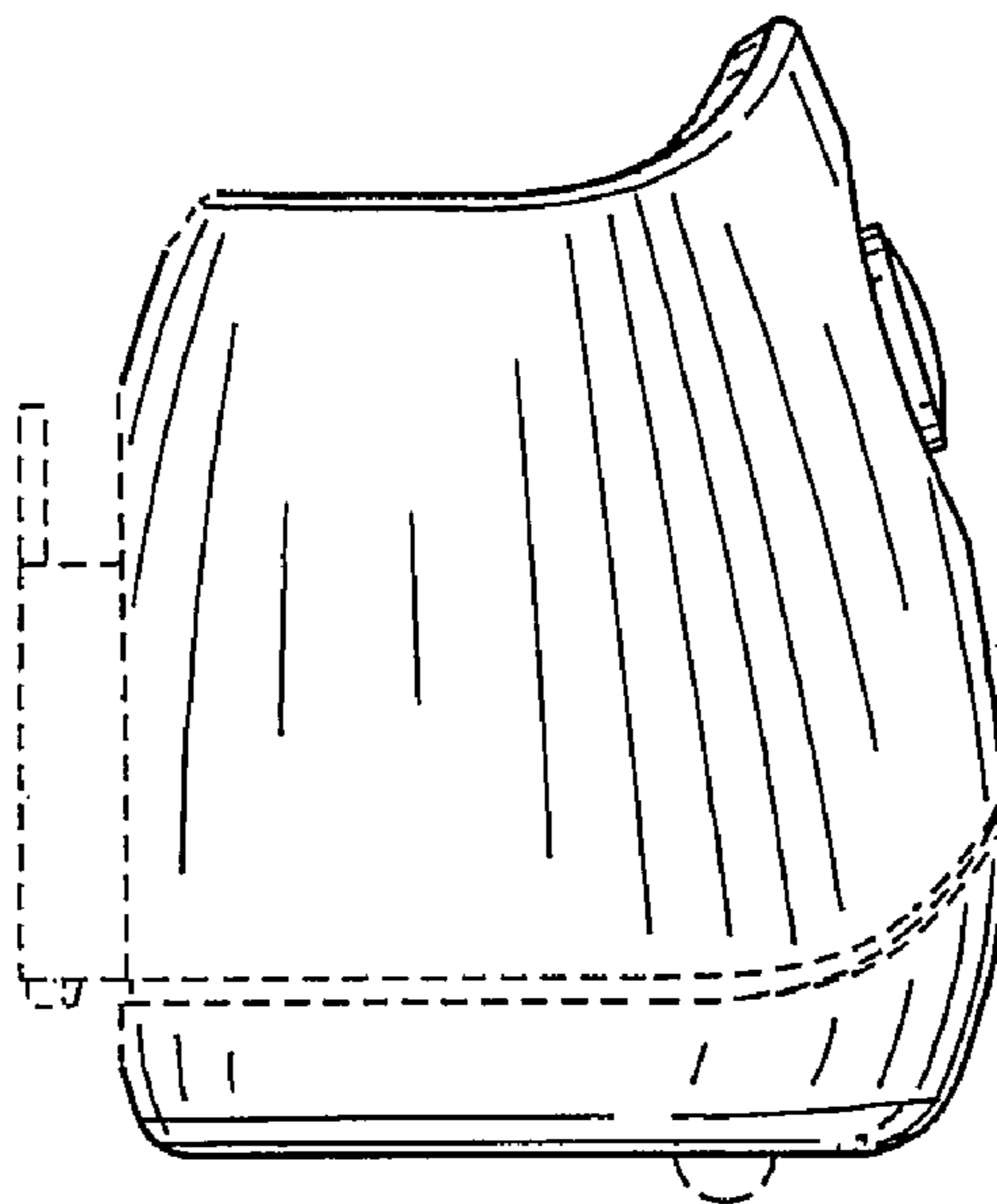


FIG. 4

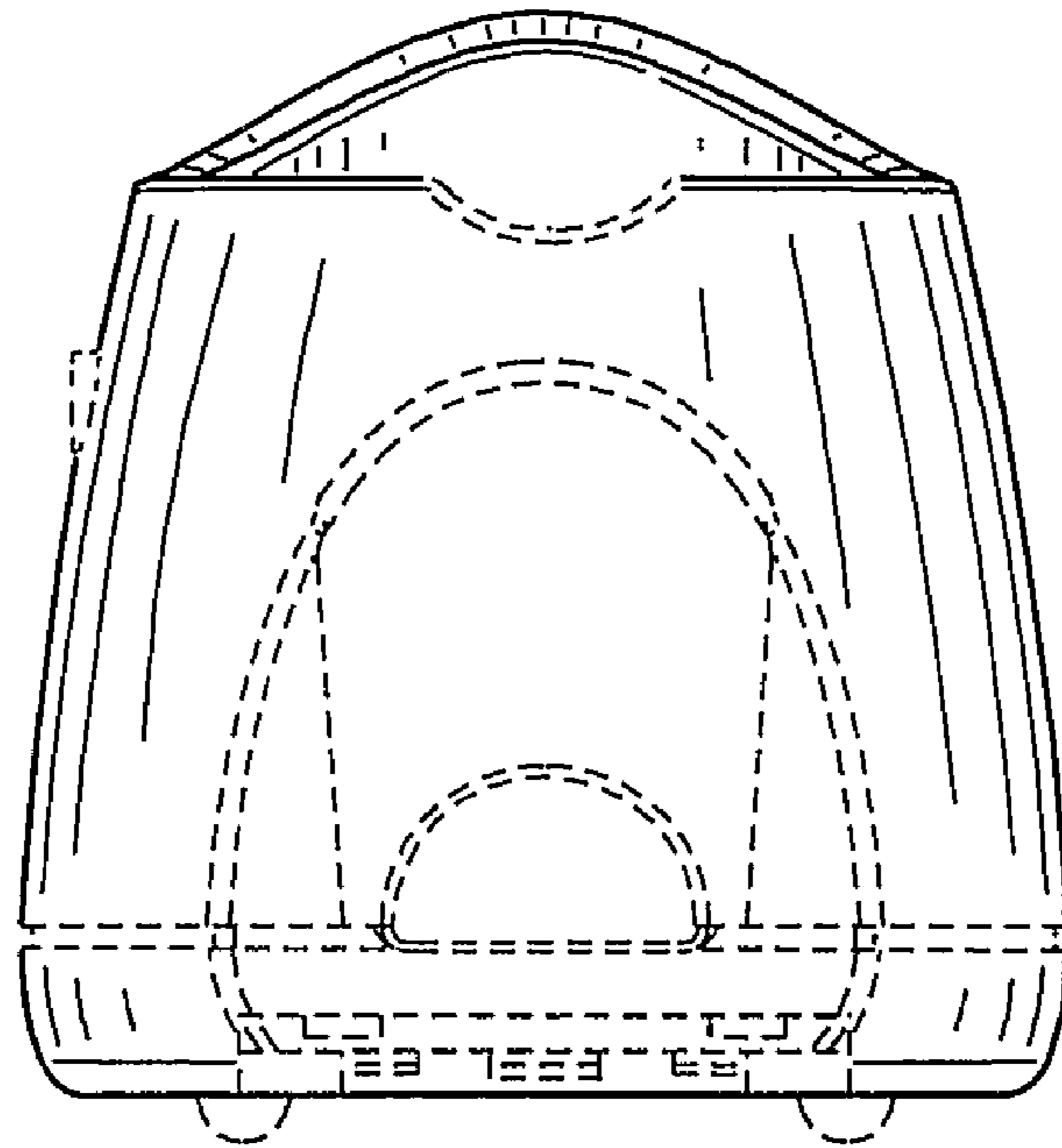


FIG. 5

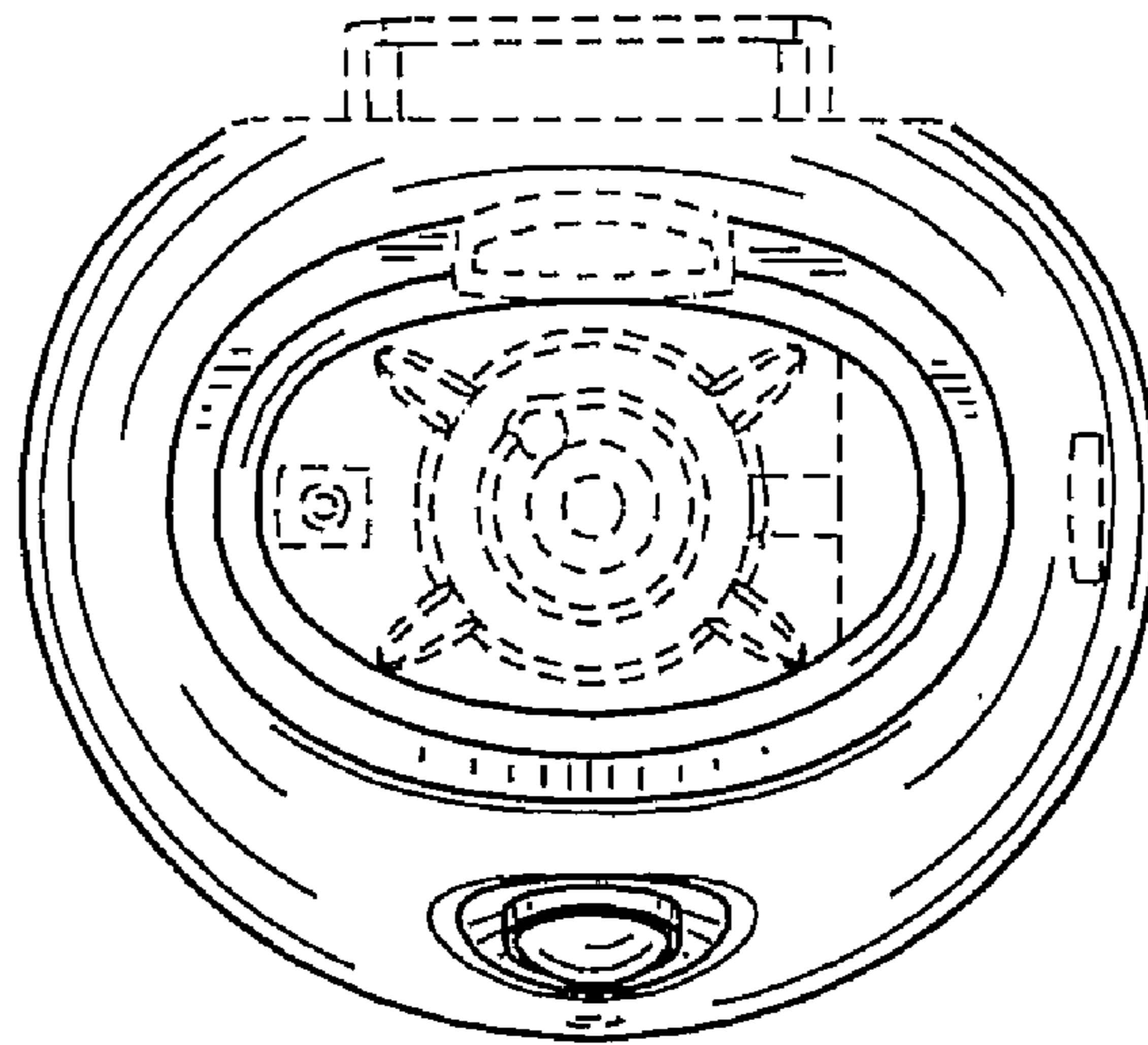


FIG. 6

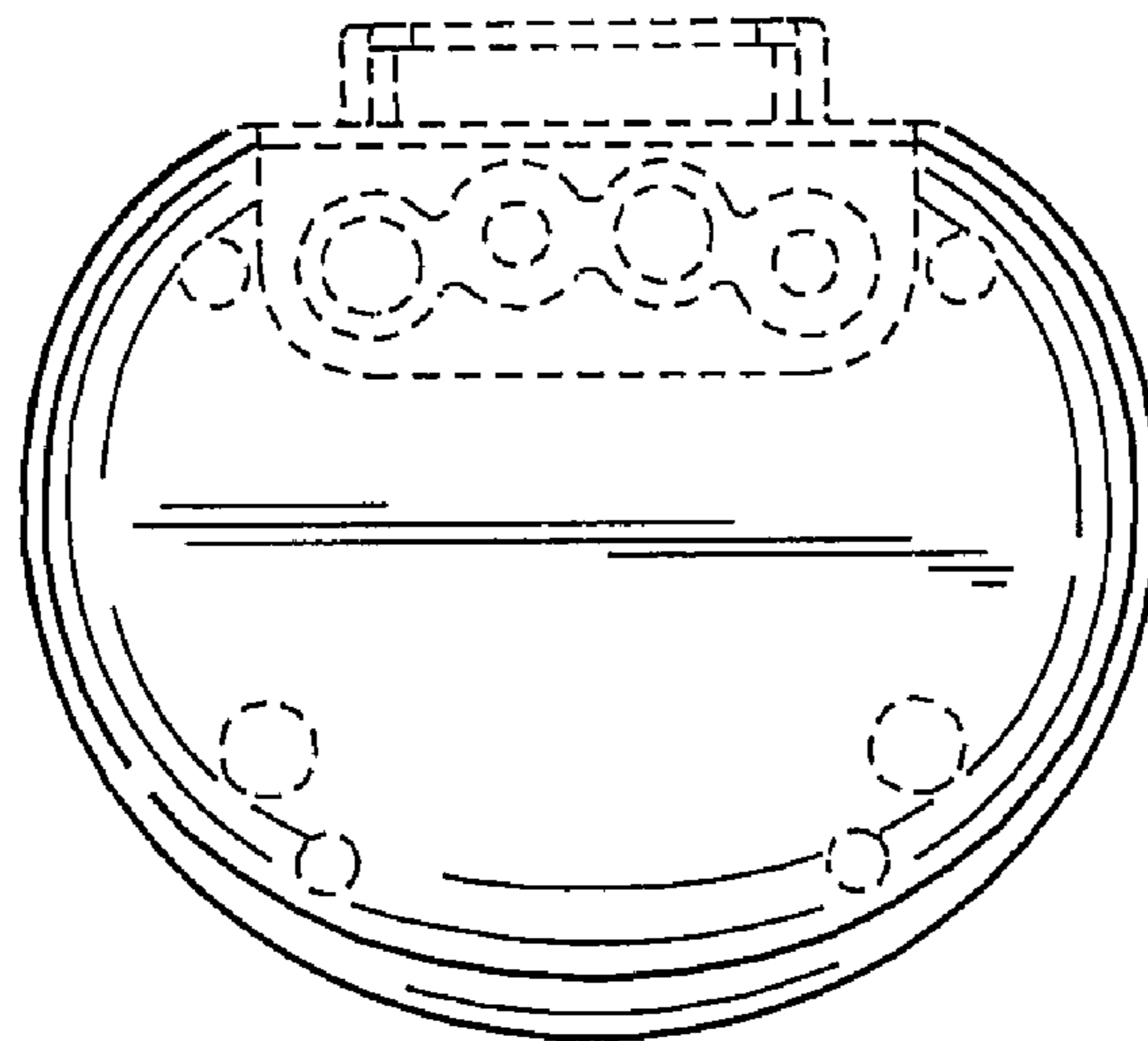


FIG. 7