



US00D583902S

(12) **United States Design Patent**
Cheung et al.

(10) **Patent No.:** **US D583,902 S**
(45) **Date of Patent:** **** Dec. 30, 2008**

(54) **LAVATORY DEVICE**

(75) Inventors: **Tak Wai Cheung**, Montvale, NJ (US);
Edward Fu, Montvale, NJ (US);
Lamson Nguyen, Somerset, NJ (US);
Tri Nguyen, Montvale, NJ (US); **Jeanne Marie Weller**, Montvale, NJ (US);
Steven Wu, Montvale, NJ (US); **Diane Neiman**, Montvale, NJ (US)

(73) Assignee: **Reckitt Benckiser Inc.**, Parsippany, NJ (US)

(**) Term: **14 Years**

(21) Appl. No.: **29/248,171**

(22) Filed: **Aug. 1, 2006**
(Under 37 CFR 1.47)

Related U.S. Application Data

(63) Continuation of application No. 29/222,613, filed on Feb. 2, 2005, now abandoned.

(30) **Foreign Application Priority Data**

Aug. 4, 2004 (GB) 3018323

(51) **LOC (8) Cl.** **23-01**

(52) **U.S. Cl.** **D23/208**

(58) **Field of Classification Search** D23/208;
4/223, 225.1, 231, 227.1

See application file for complete search history.

(56) **References Cited**

U.S. PATENT DOCUMENTS

D243,850 S * 3/1977 Davenport D23/208
4,143,431 A * 3/1979 Goncalves 4/231

4,203,172 A * 5/1980 Goncalves 4/231
4,777,670 A * 10/1988 Klinkhammer et al. 4/231
D307,934 S * 5/1990 Verebelyi D23/208
6,311,340 B1 * 11/2001 Thompson 4/231
D507,628 S * 7/2005 McLellan et al. D23/208

* cited by examiner

Primary Examiner—Robin V Webster

(57) **CLAIM**

The ornamental design for a lavatory device, as shown and described.

DESCRIPTION

FIG. 1 is a front perspective view of a lavatory device (portions not claimed shown with broken lines);

FIG. 2 is a rear perspective view thereof (portions not claimed shown with broken lines);

FIG. 3 is a plan view of a front face thereof (portions not claimed shown with broken lines);

FIG. 4 is a plan view of a rear face thereof (portions not claimed shown with broken lines);

FIG. 5 is a left side elevational view thereof (portions not claimed shown with broken lines);

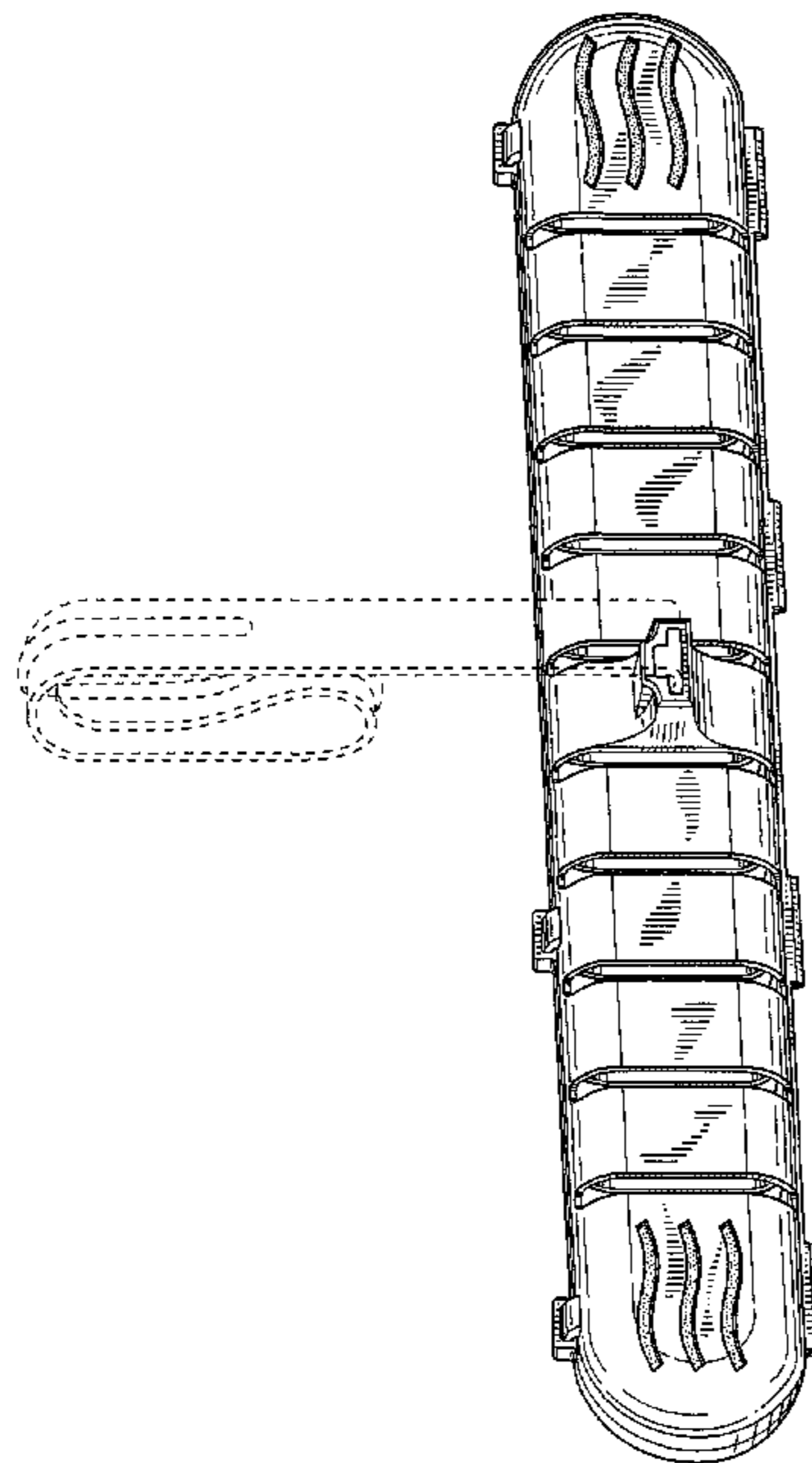
FIG. 6 is a right side elevational view thereof (portions not claimed shown with broken lines);

FIG. 7 is a plan view of a top face thereof (portions not claimed shown with broken lines); and,

FIG. 8 is a plan view of a bottom face thereof (portions not claimed shown with broken lines).

The broken line showing the lavatory device coupled with the ornamental design in FIGS. 1–8 is for illustrative purposes only and forms no part of the claimed design.

1 Claim, 6 Drawing Sheets



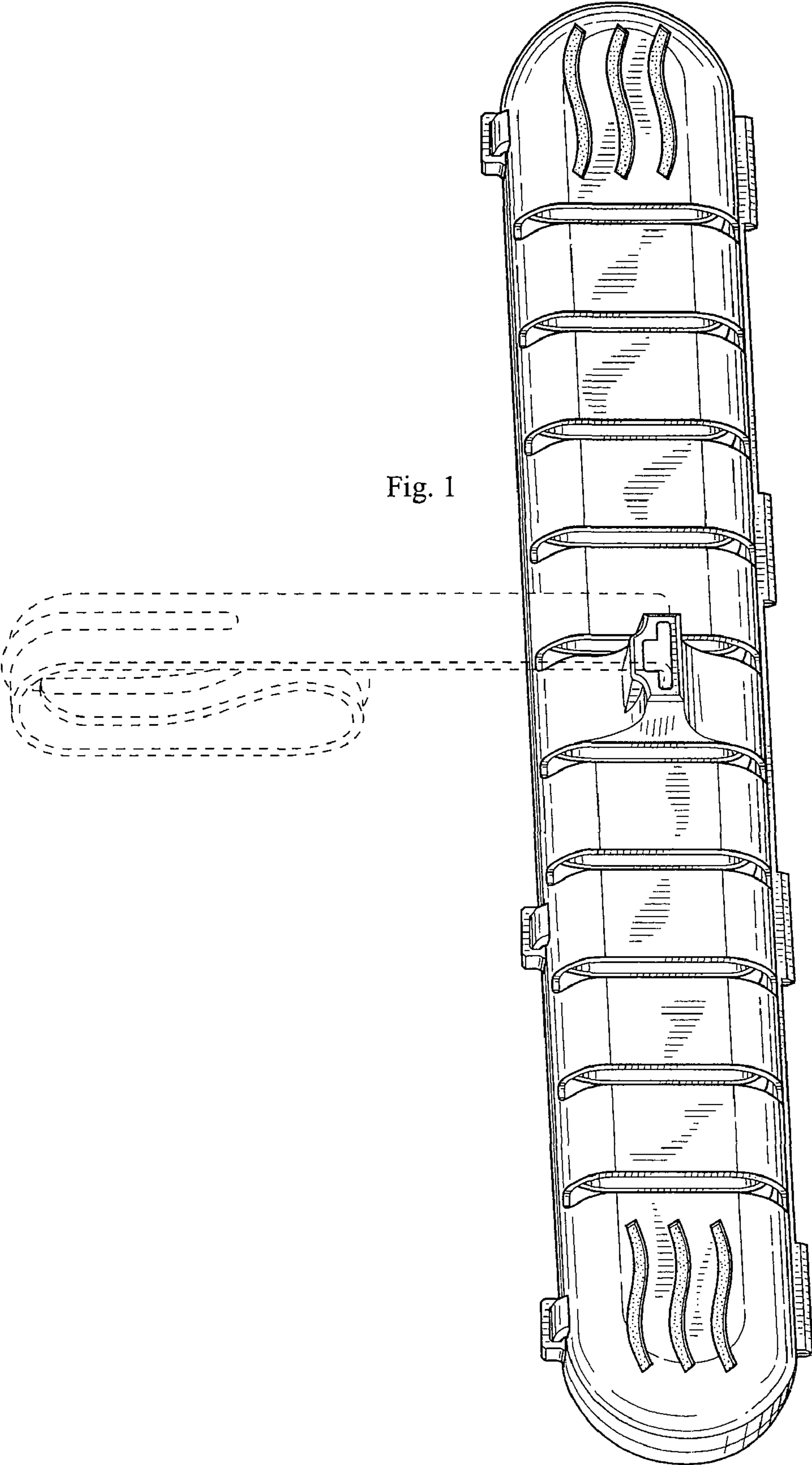


Fig. 1

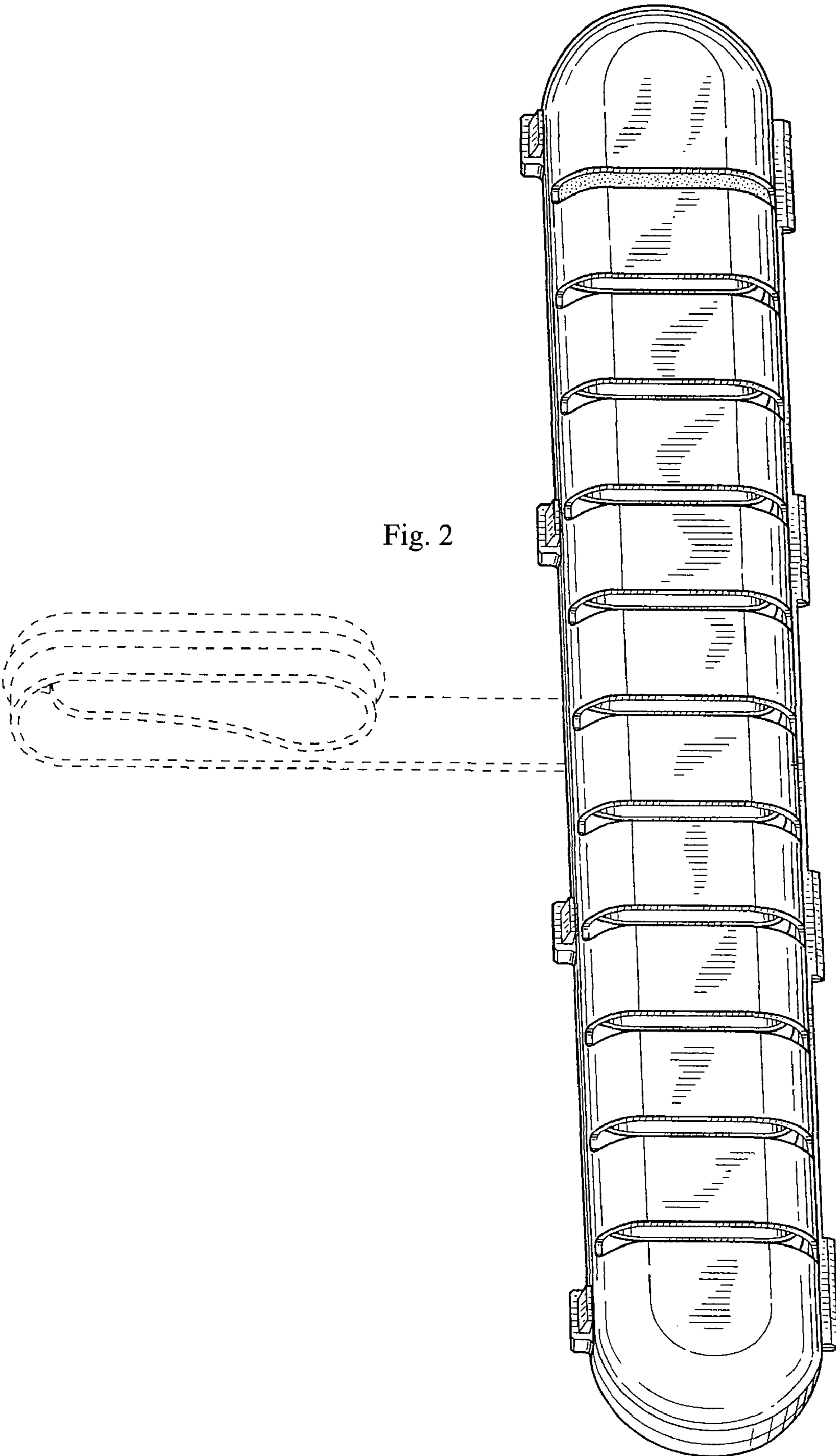


Fig. 2

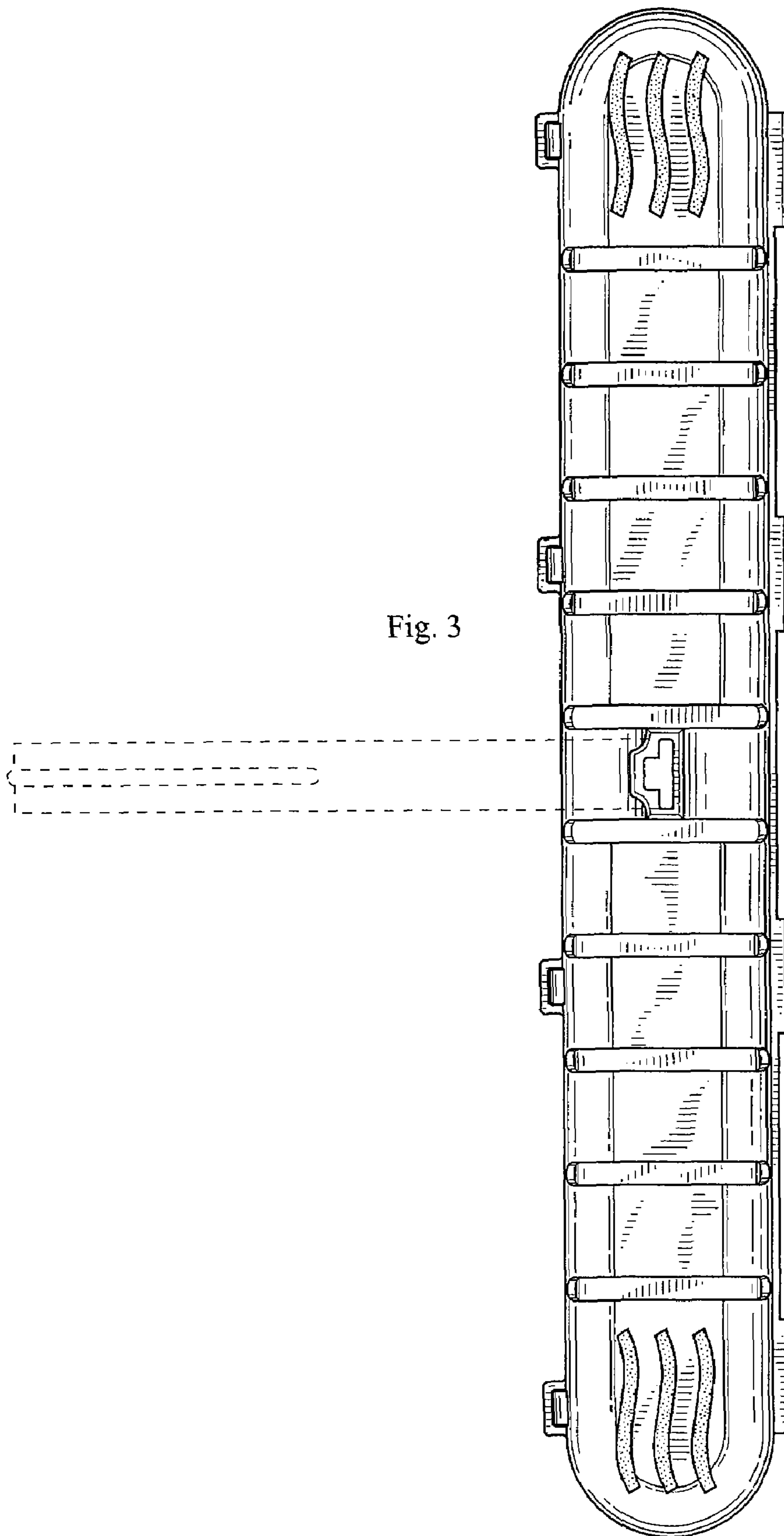


Fig. 3

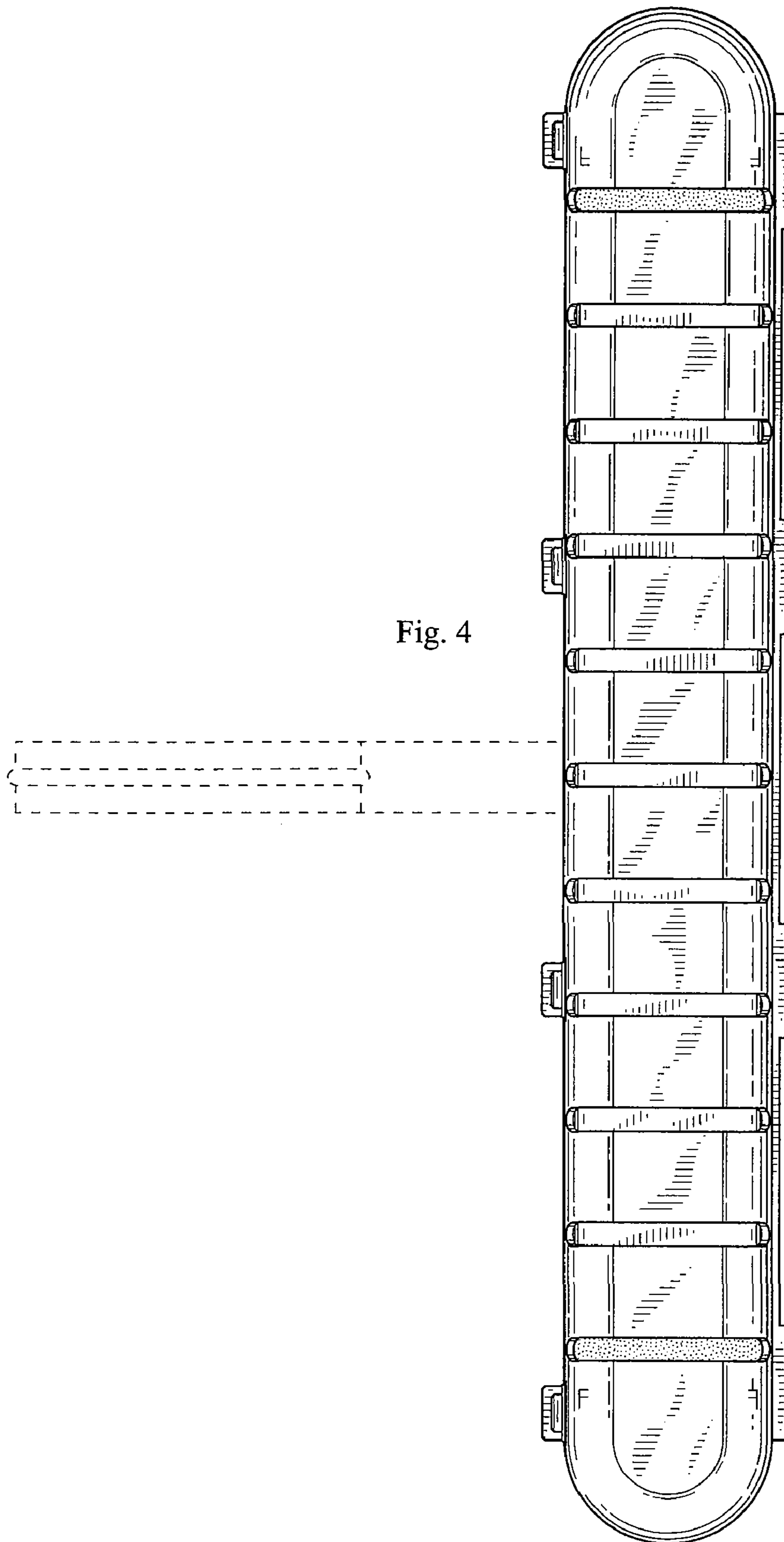


Fig. 5

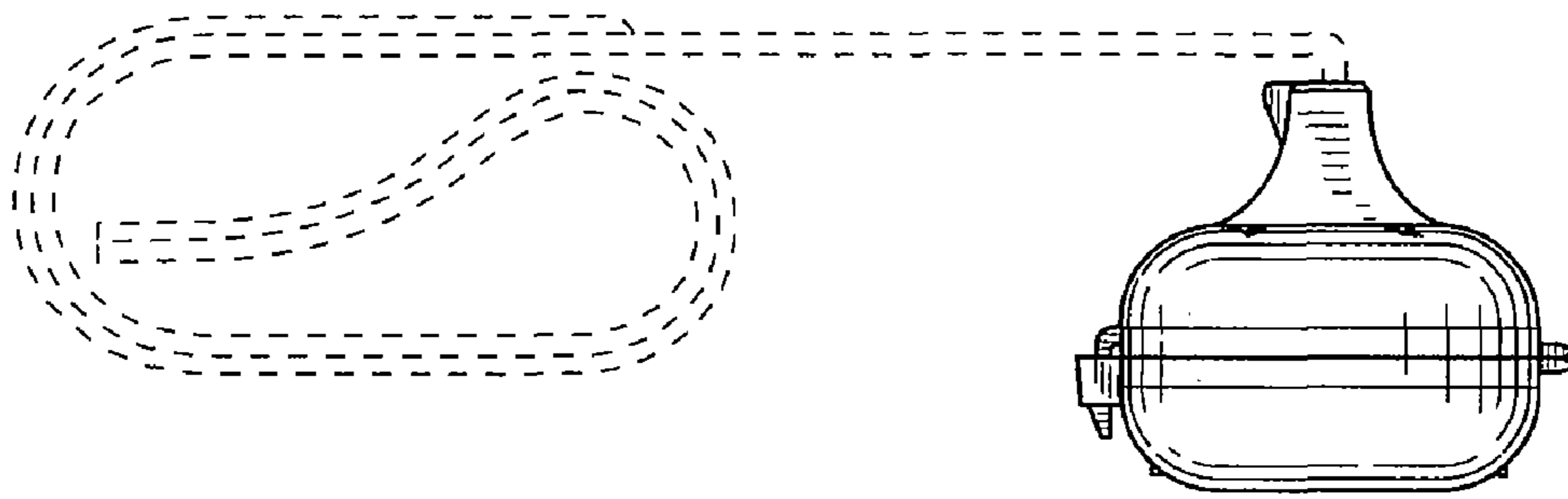


Fig. 6

