



US00D583900S

(12) **United States Design Patent**
Krause

(10) **Patent No.:** **US D583,900 S**

(45) **Date of Patent:** **** Dec. 30, 2008**

(54) **MOLE REPELLER**

(76) Inventor: **Damian Krause**, 132 Nassau St., New York, NY (US) 10038

(**) Term: **14 Years**

(21) Appl. No.: **29/299,285**

(22) Filed: **Dec. 21, 2007**

(51) **LOC (8) Cl.** **22-06**

(52) **U.S. Cl.** **D22/120**

(58) **Field of Classification Search** D22/119-124,
D22/100, 112; 43/121, 124, 131, 132, 1;
116/137 A, 22 A; 367/139; 119/719
See application file for complete search history.

(56) **References Cited**

U.S. PATENT DOCUMENTS

D270,174 S *	8/1983	Gaines	D22/119
D324,558 S *	3/1992	Weiser et al.	D22/120
D329,270 S *	9/1992	Der-Jinn	D22/120
5,379,545 A *	1/1995	Gall et al.	43/131
6,134,827 A *	10/2000	Jan	43/124
6,157,594 A *	12/2000	Jan	367/139
D438,930 S *	3/2001	Schmacker et al.	D22/112

6,308,454 B1 * 10/2001 Powell 43/124

* cited by examiner

Primary Examiner—Catherine R Oliver

(74) *Attorney, Agent, or Firm*—Marguerite Del Valle

(57) **CLAIM**

I claim the ornamental design for a mole repeller, as shown and described.

DESCRIPTION

FIG. 1 is a front and side perspective view of the new ornamental mole repeller of the present invention;

FIG. 2 is a front elevation view thereof;

FIG. 3 is a rear elevation view thereof;

FIG. 4 is a right side elevation view thereof;

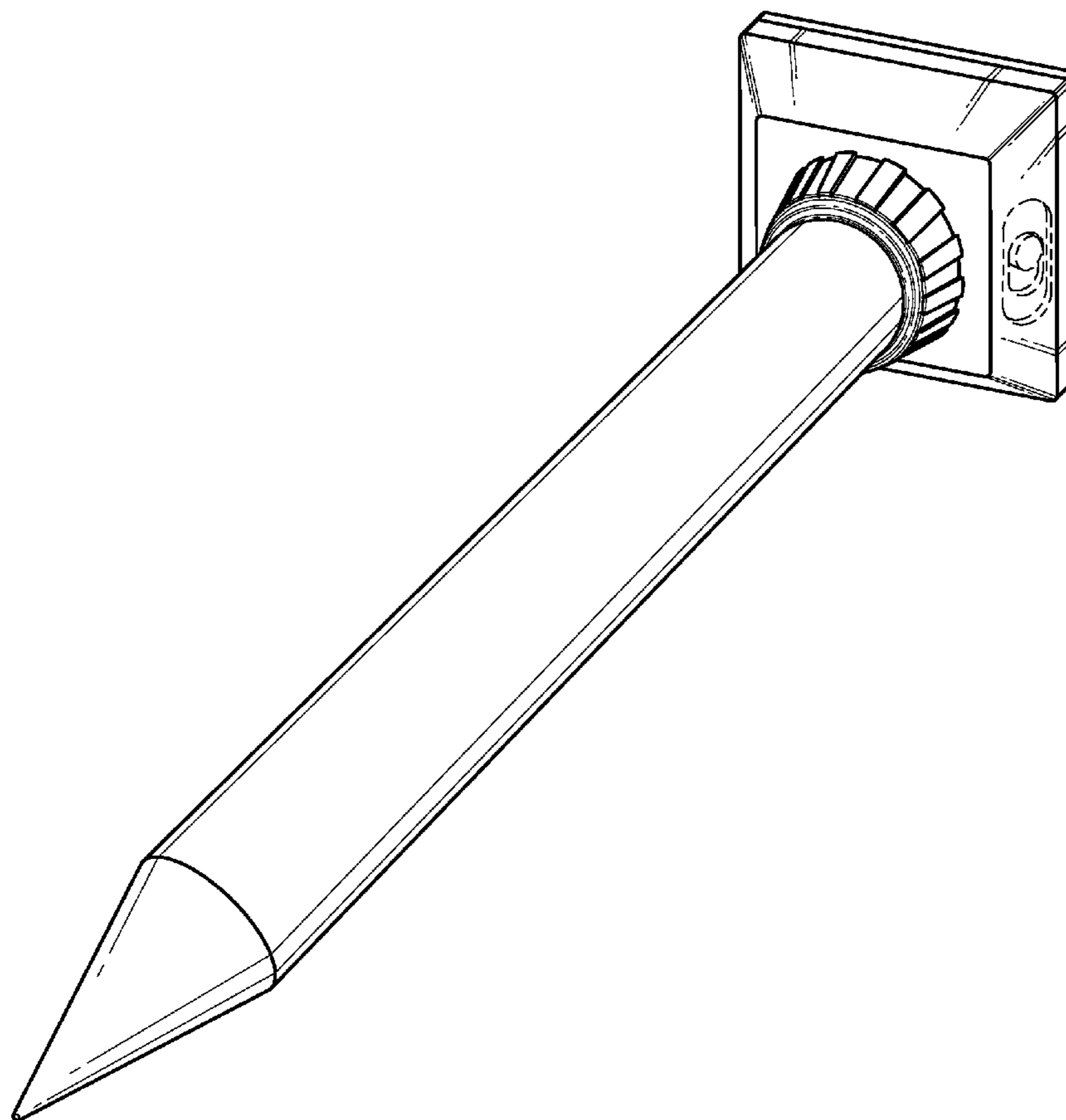
FIG. 5 is a left side elevation view thereof;

FIG. 6 is a bottom plan view; and,

FIG. 7 is a top plan view.

The broken line showing of environment in the drawings is included for the purpose of illustrating only and forms no part of the claimed design.

1 Claim, 4 Drawing Sheets



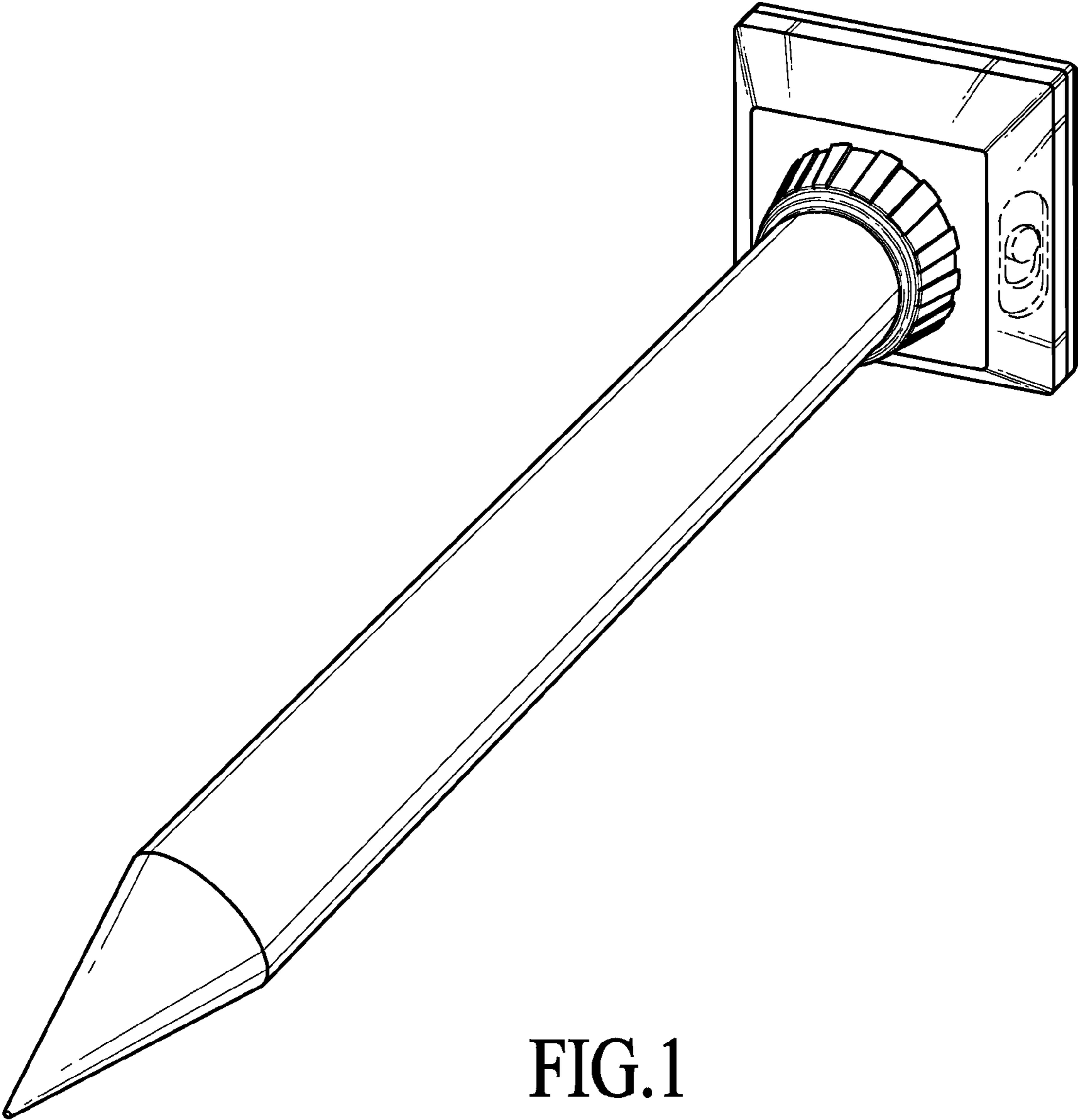


FIG.1

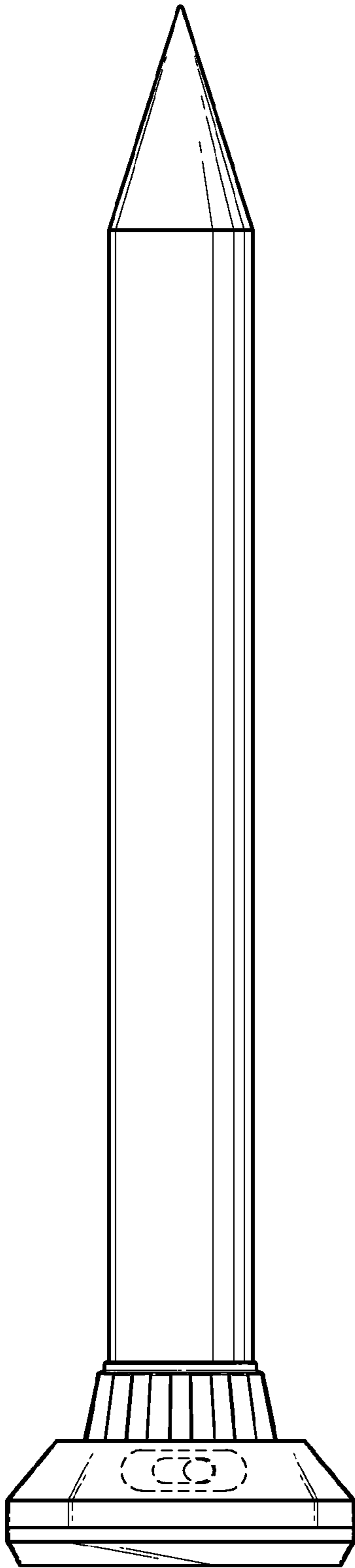


FIG. 2

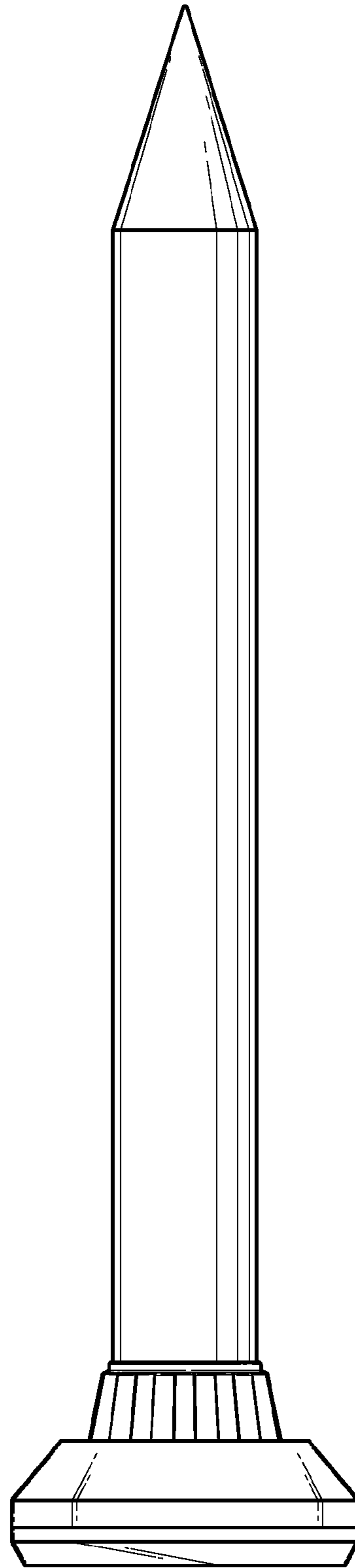


FIG. 3

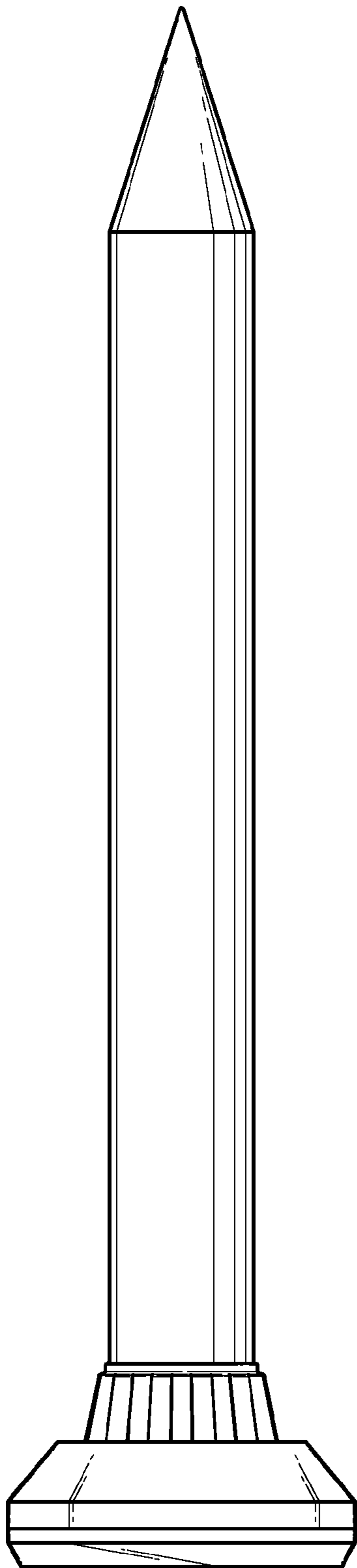


FIG. 4

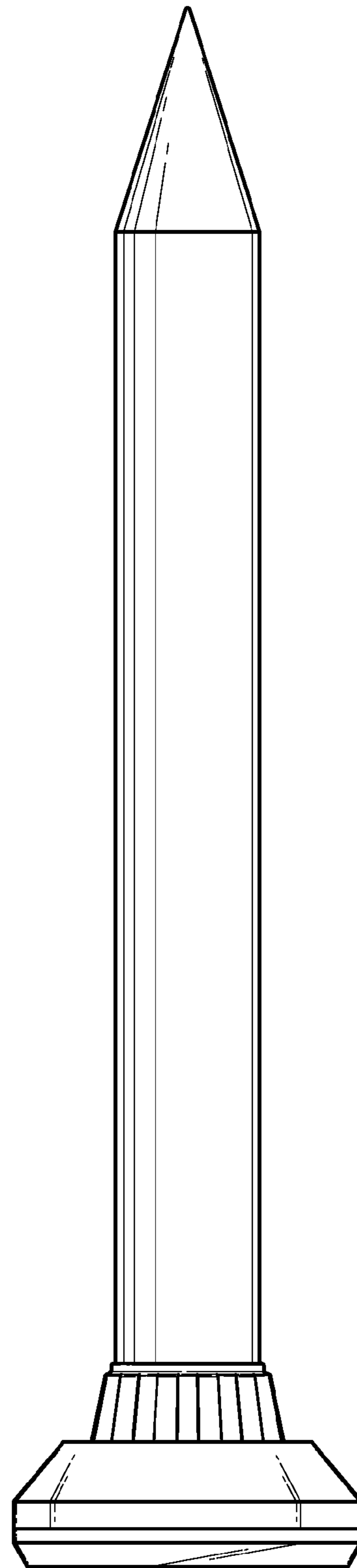


FIG. 5

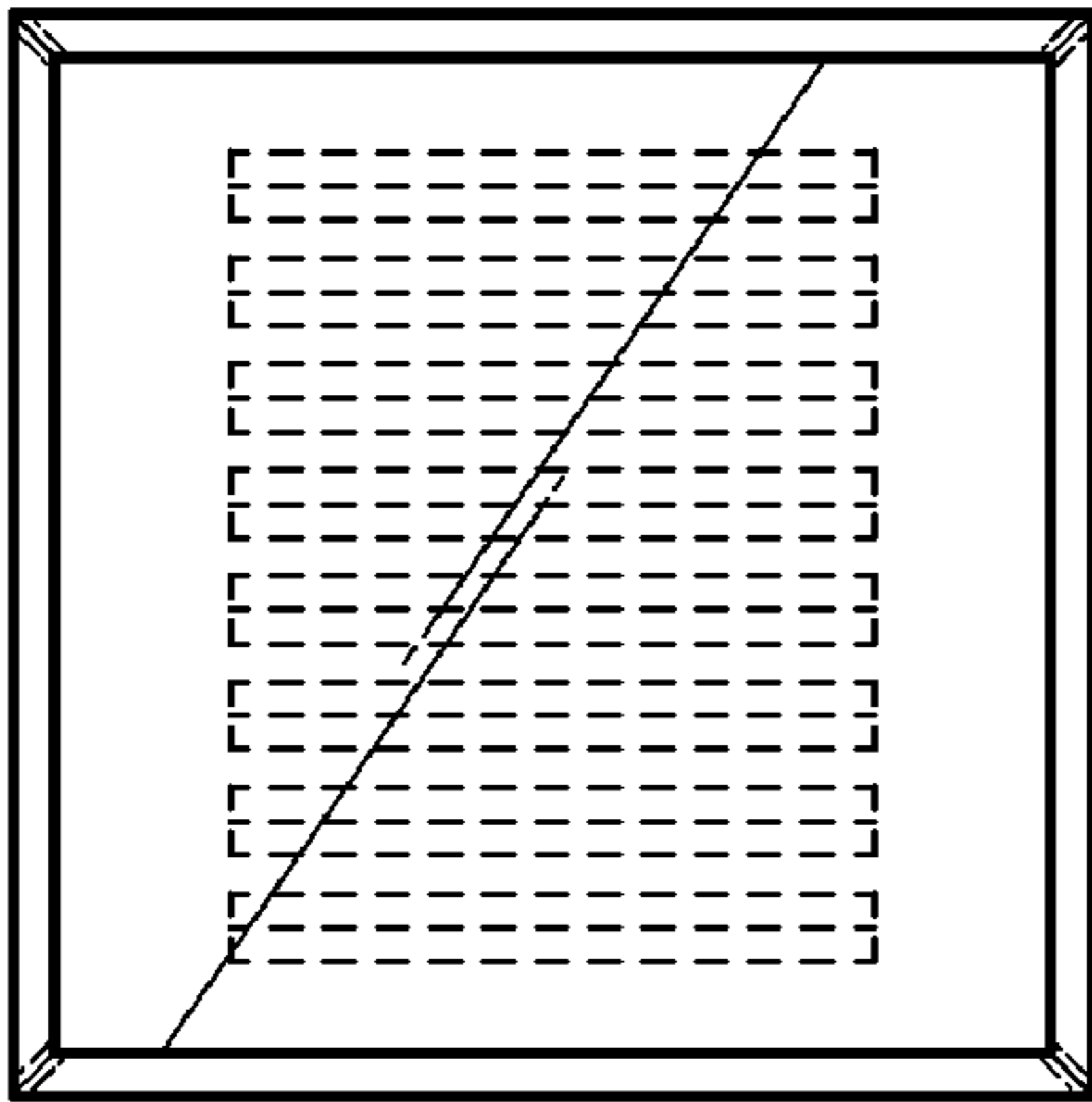


FIG. 6

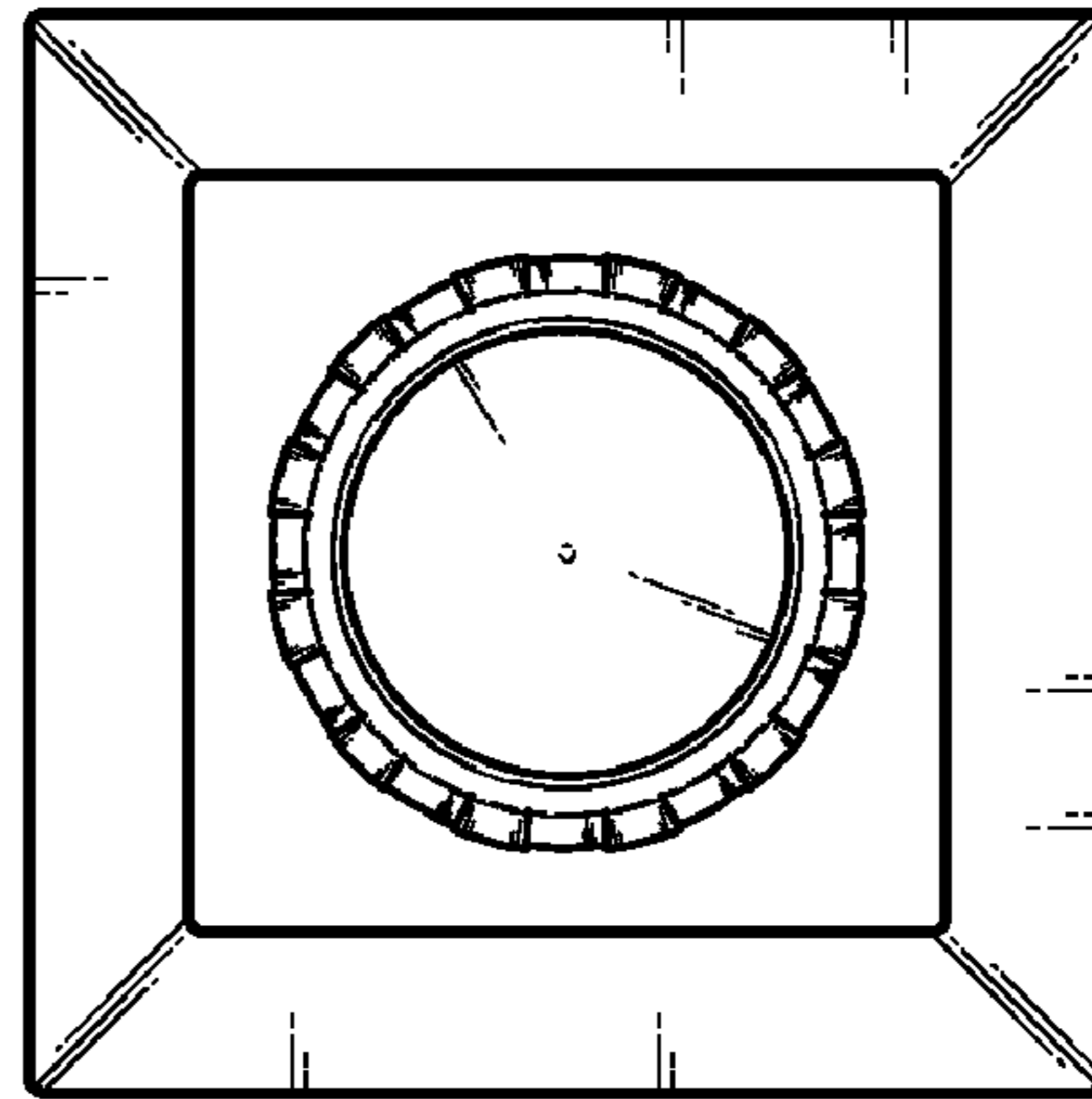


FIG. 7