



US00D583897S

(12) **United States Design Patent**
Ward

(10) **Patent No.:** **US D583,897 S**

(45) **Date of Patent:** **** Dec. 30, 2008**

(54) **BLADE FOR AN ARCHERY BROADHEAD**

Primary Examiner—Cathron C Brooks

Assistant Examiner—Melanie Levy

(76) **Inventor:** **Steven Ward**, 635 W. Delos, Willcox,
AZ (US) 85643

(74) *Attorney, Agent, or Firm*—Gerald E. Helget; Nelson R.
Capes; Bridds and Morgan, P.A.

(**) **Term:** **14 Years**

(57) **CLAIM**

(21) **Appl. No.:** **29/299,993**

The ornamental design for a blade for an archery broadhead,
as shown and described.

(22) **Filed:** **Jan. 8, 2008**

(51) **LOC (8) Cl.** **22-01**

(52) **U.S. Cl.** **D22/107**

(58) **Field of Classification Search** D22/107,
D22/117, 118; 124/20.1, 20.3, 22, 23.1,
124/86, 1; 33/265; 473/578, 582, 583, 584,
473/585, 586; D8/20, 99

See application file for complete search history.

DESCRIPTION

FIG. 1 is a front elevational view showing my new design for
a blade which is a mirror image of the rear elevational view.

FIG. 2 is a right side elevational view;

FIG. 3 is a left side elevational view;

FIG. 4 is a top plan view;

FIG. 5 is a bottom view;

FIG. 6 is another front elevational view thereof;

FIG. 7 is a another front elevational view thereof; and,

FIG. 8 is another front elevational view thereof.

The broken lines showing the broadhead and additional blade
in FIGS. 6–8 are environmental subject matter and form no
part of the claimed design.

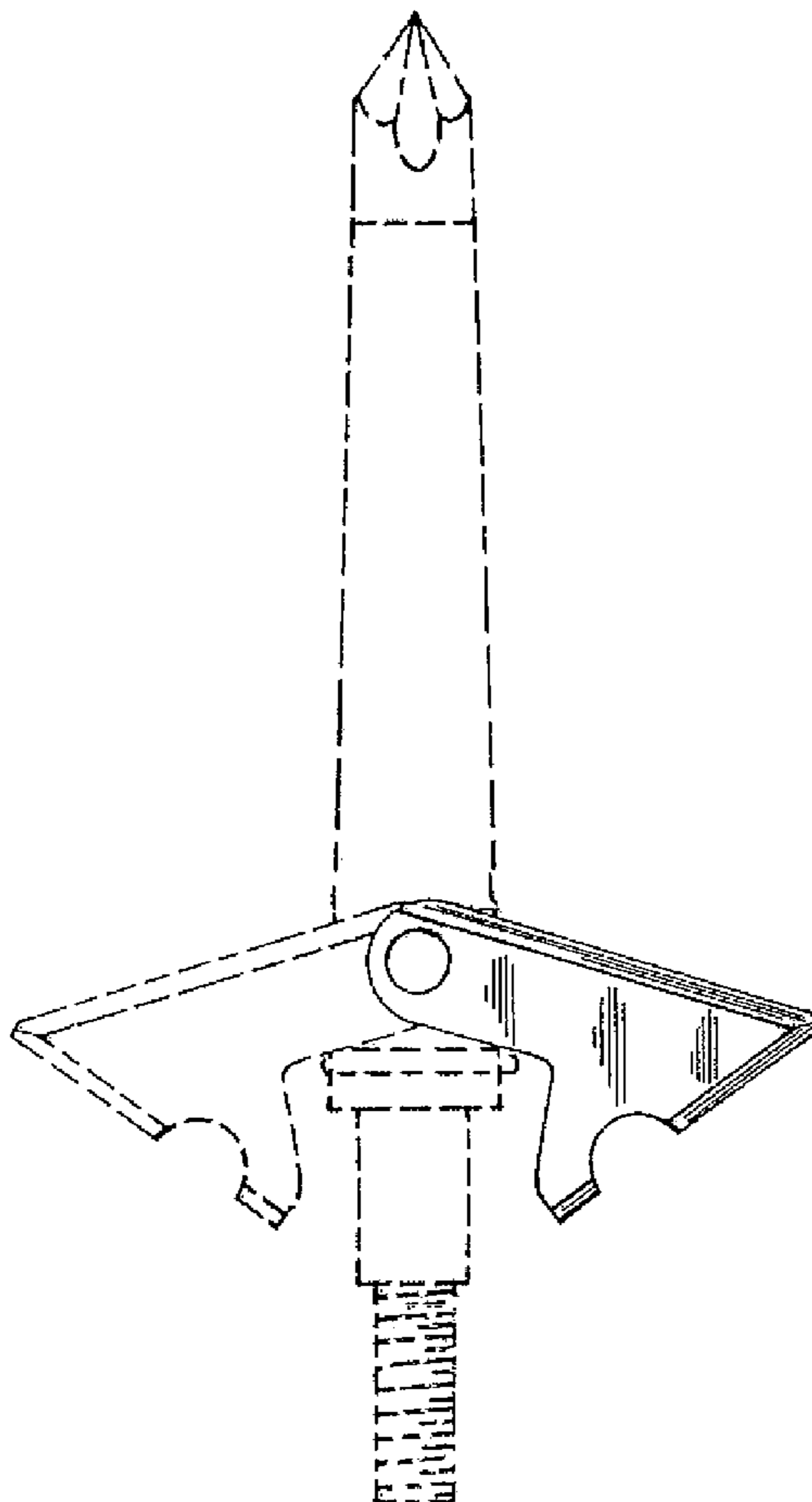
(56) **References Cited**

U.S. PATENT DOCUMENTS

5,145,187	A *	9/1992	Lewis	473/584
5,820,498	A *	10/1998	Maleski	473/584
6,015,357	A *	1/2000	Rizza	473/583
6,743,128	B2 *	6/2004	Liechty, II	473/583
6,830,523	B1 *	12/2004	Kuhn	473/584
2008/0102996	A1 *	5/2008	Erhard	124/23.1

* cited by examiner

1 Claim, 2 Drawing Sheets



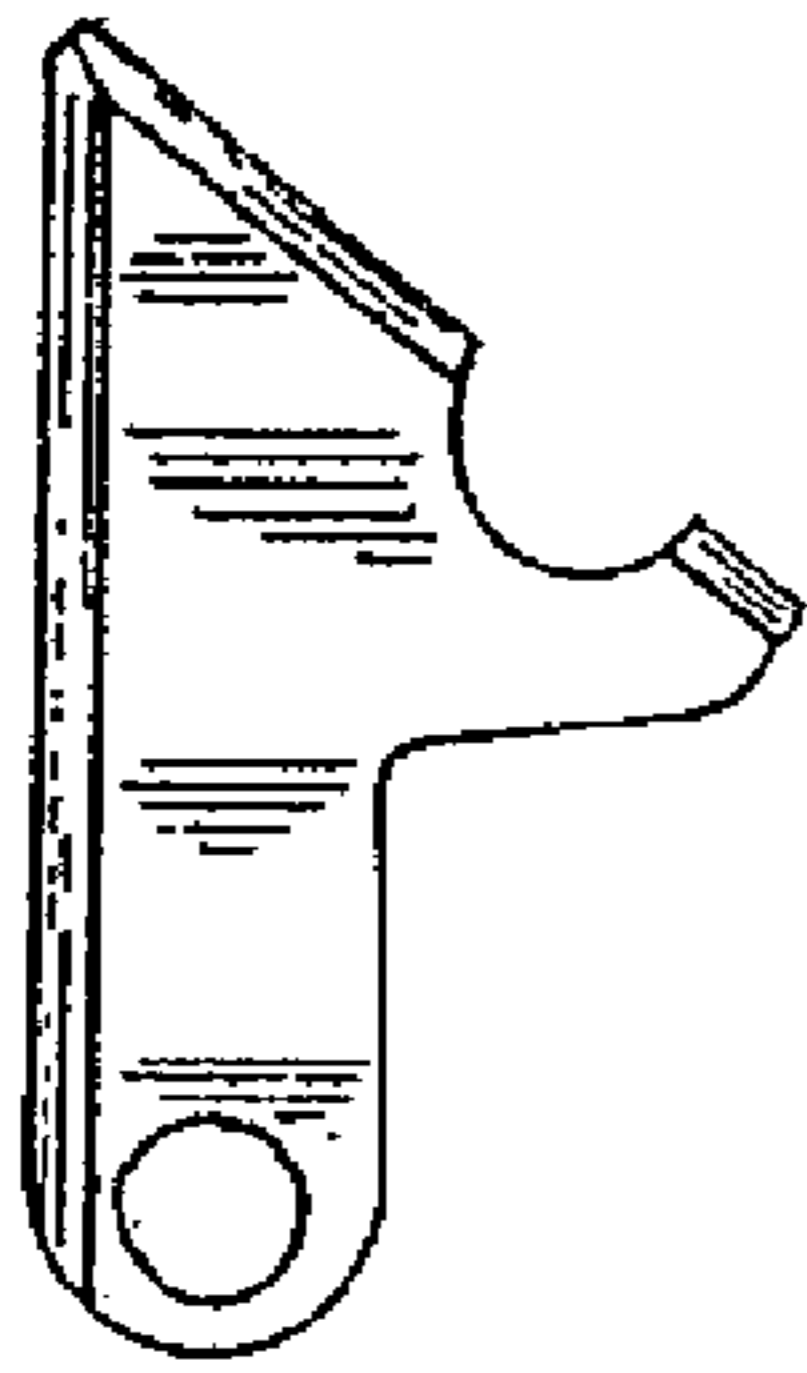


Fig. 1



Fig. 2



Fig. 3

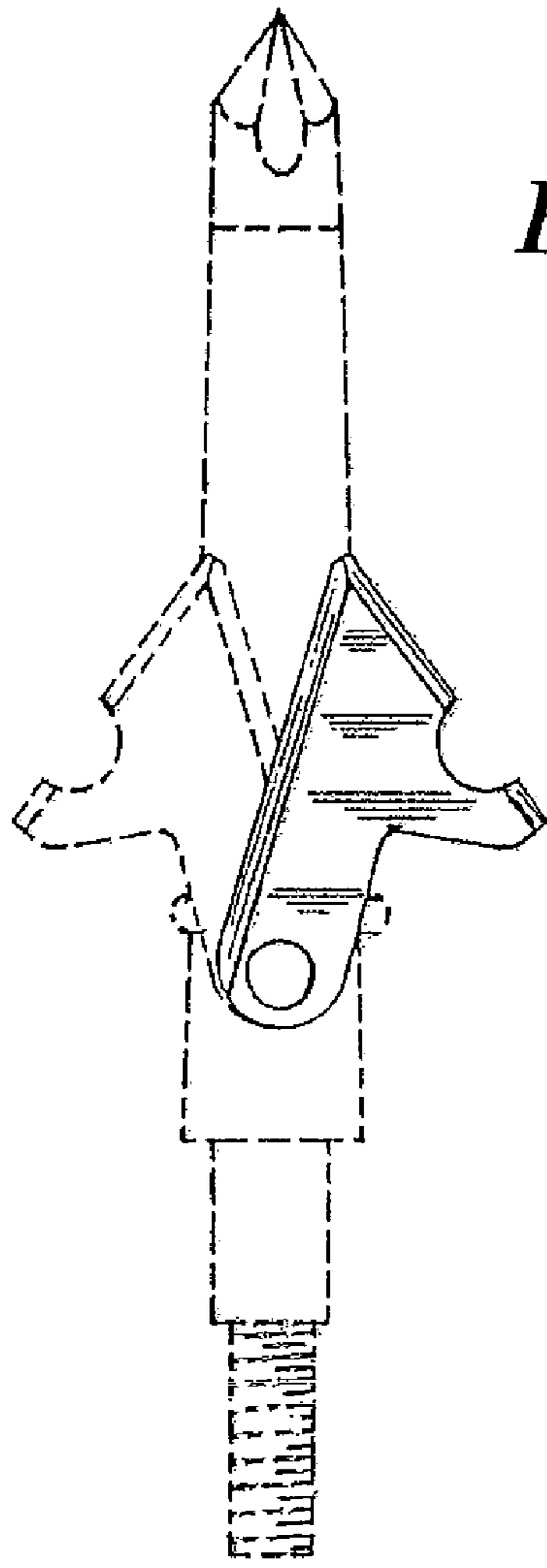


Fig. 6

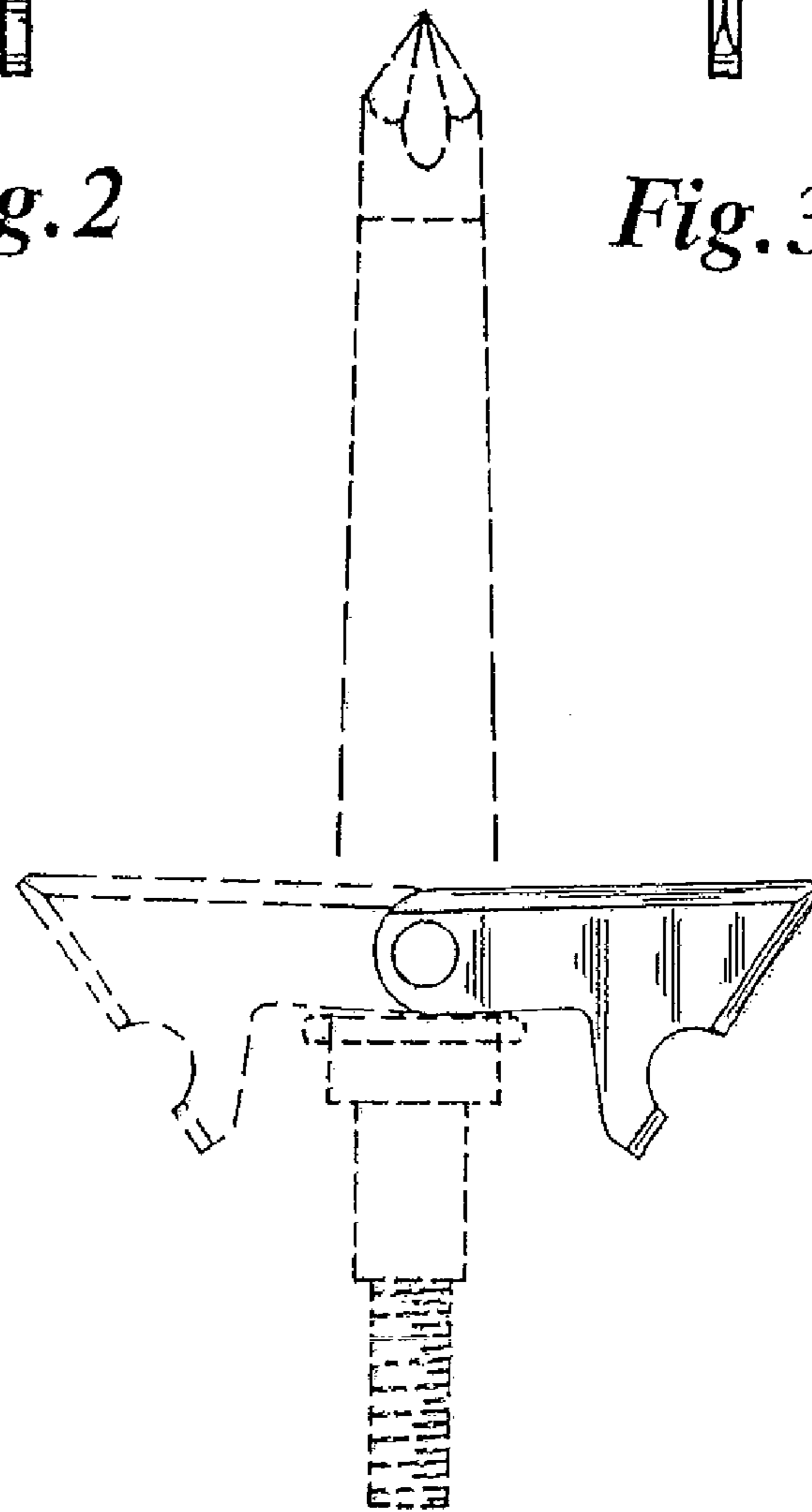


Fig. 7



Fig. 4



Fig. 5

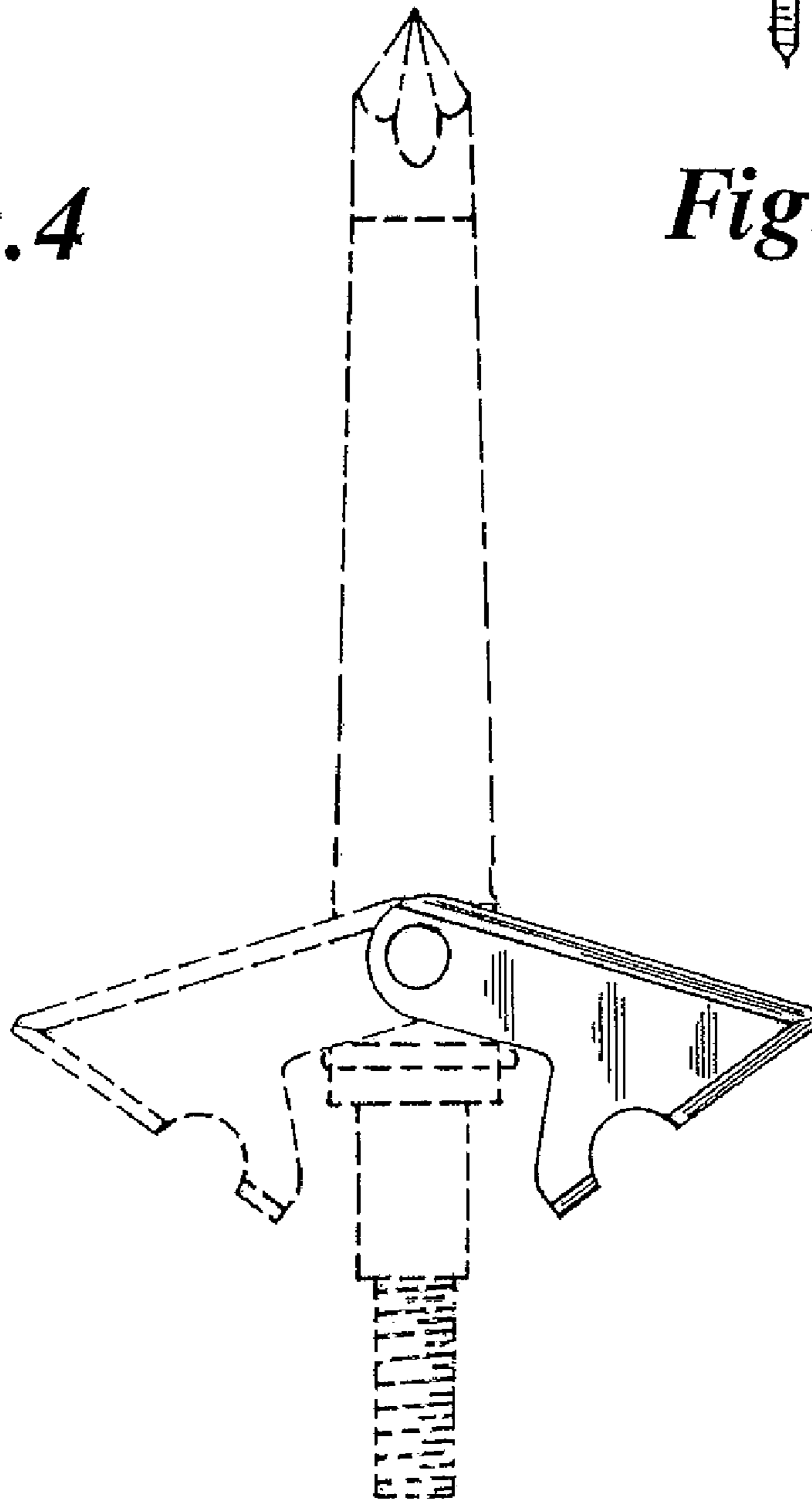


Fig. 8