



US00D583895S

(12) **United States Design Patent**
Hlynka

(10) **Patent No.:** **US D583,895 S**
(45) **Date of Patent:** **** Dec. 30, 2008**

(54) **WATERSLIDE RUN-OUT BOWL**

D548,810 S * 8/2007 Hunter D21/821
D567,322 S * 4/2008 Hunter D21/821

(75) Inventor: **Marvin R. Hlynka**, Richmond (CA)

FOREIGN PATENT DOCUMENTS

(73) Assignee: **Whitewater West Industries Ltd.** (CA)

GB 2224948 A 5/1990

(**) Term: **14 Years**

* cited by examiner

(21) Appl. No.: **29/284,118**

Primary Examiner—Mitchell I Siegel

(22) Filed: **Aug. 31, 2007**

(74) *Attorney, Agent, or Firm*—McKee, Voorhees & Sease, P.L.C.

(51) **LOC (8) Cl.** **21-03**

(52) **U.S. Cl.** **D21/821**

(58) **Field of Classification Search** D21/814,
D21/818–822; 473/116–117

See application file for complete search history.

(57) **CLAIM**

I claim the ornamental design for a waterslide run-out bowl, substantially as shown.

(56) **References Cited**

DESCRIPTION

U.S. PATENT DOCUMENTS

920,567	A	*	5/1909	Hayes	472/40
D225,243	S	*	11/1972	Chase	D21/815
D256,827	S	*	9/1980	Allen, 3rd	D21/819
D256,828	S	*	9/1980	Allen, 3rd	D21/819
D256,940	S	*	9/1980	Allen, 3rd	D21/819
4,836,521	A	*	6/1989	Barber	472/13
6,354,955	B1	*	3/2002	Stuart et al.	472/117
6,485,372	B2	*	11/2002	Stuart et al.	472/117
6,857,964	B2	*	2/2005	Hunter	472/116
D521,098	S	*	5/2006	Hunter	D21/819
7,056,220	B2		6/2006	Hunter		

FIG. 1 is a perspective view of the waterslide run-out bowl.

FIG. 2 is a top plan view of the waterslide run-out bowl.

FIG. 3 is a front elevation view of the waterslide run-out bowl.

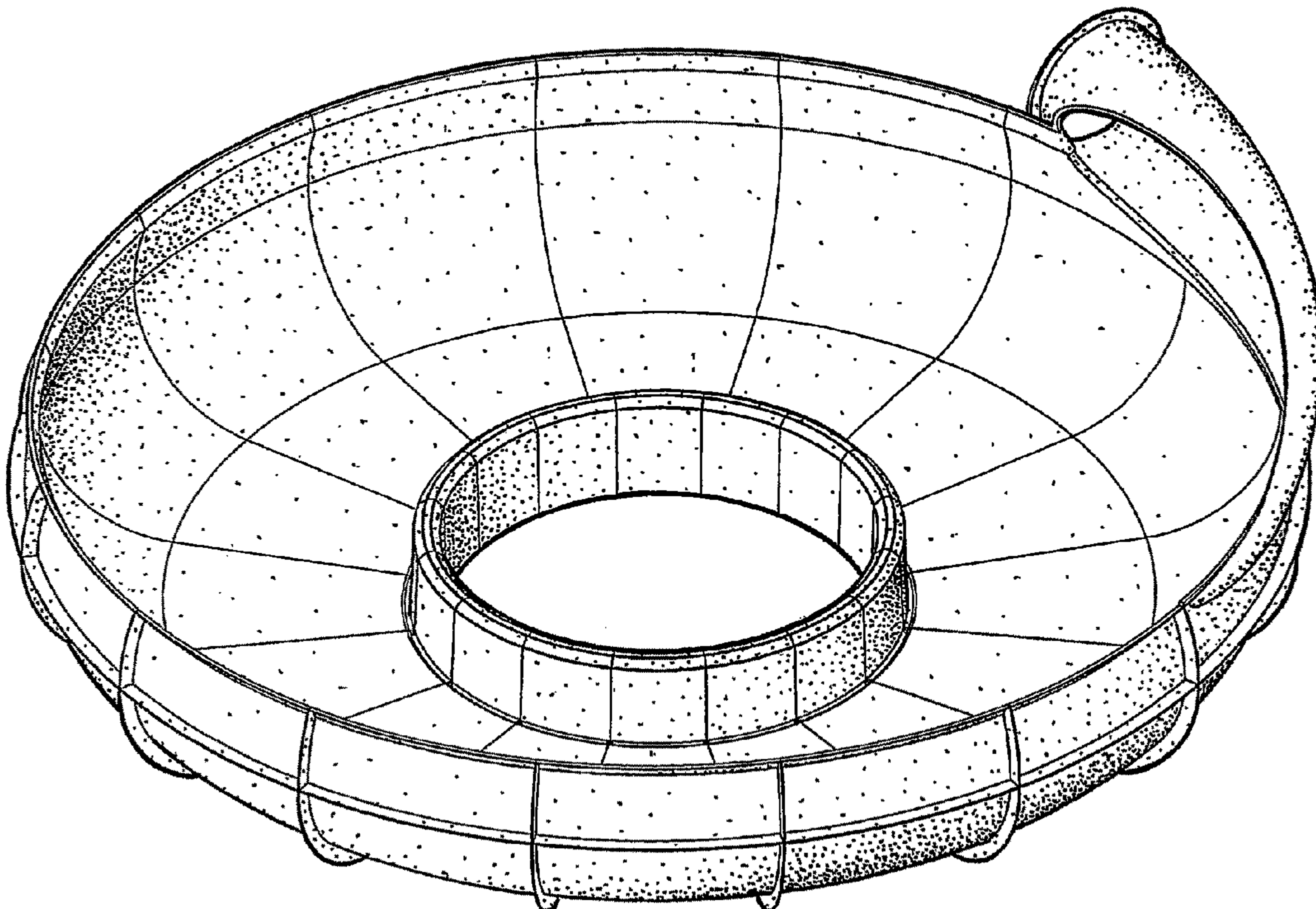
FIG. 4 is a right side elevation view of the waterslide run-out bowl.

FIG. 5 is a left side elevation view of the waterslide run-out bowl.

FIG. 6 is a back elevation view of the waterslide run-out bowl; and,

FIG. 7 is a bottom plan view of the waterslide run-out bowl.

1 Claim, 4 Drawing Sheets



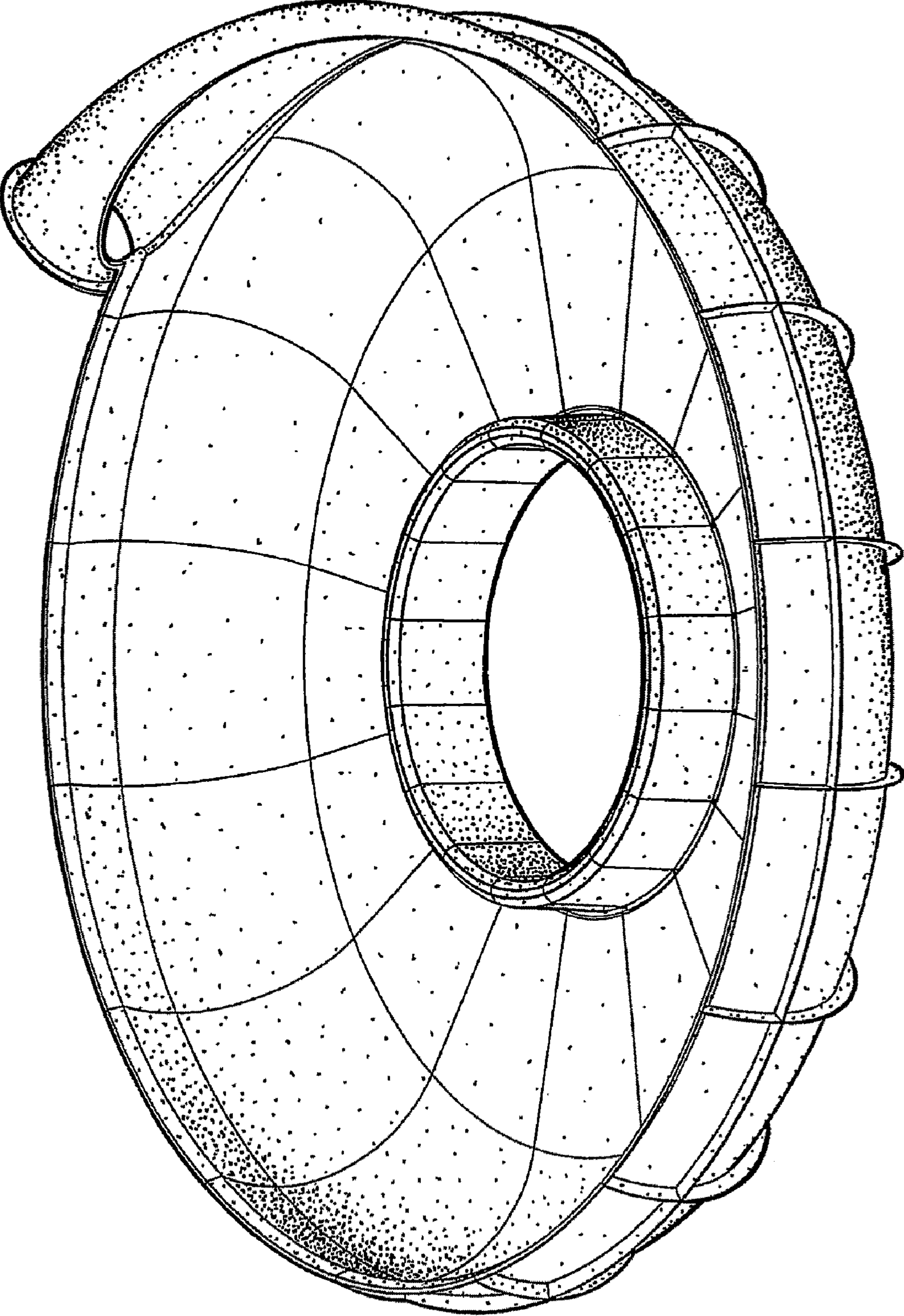


FIG. 1

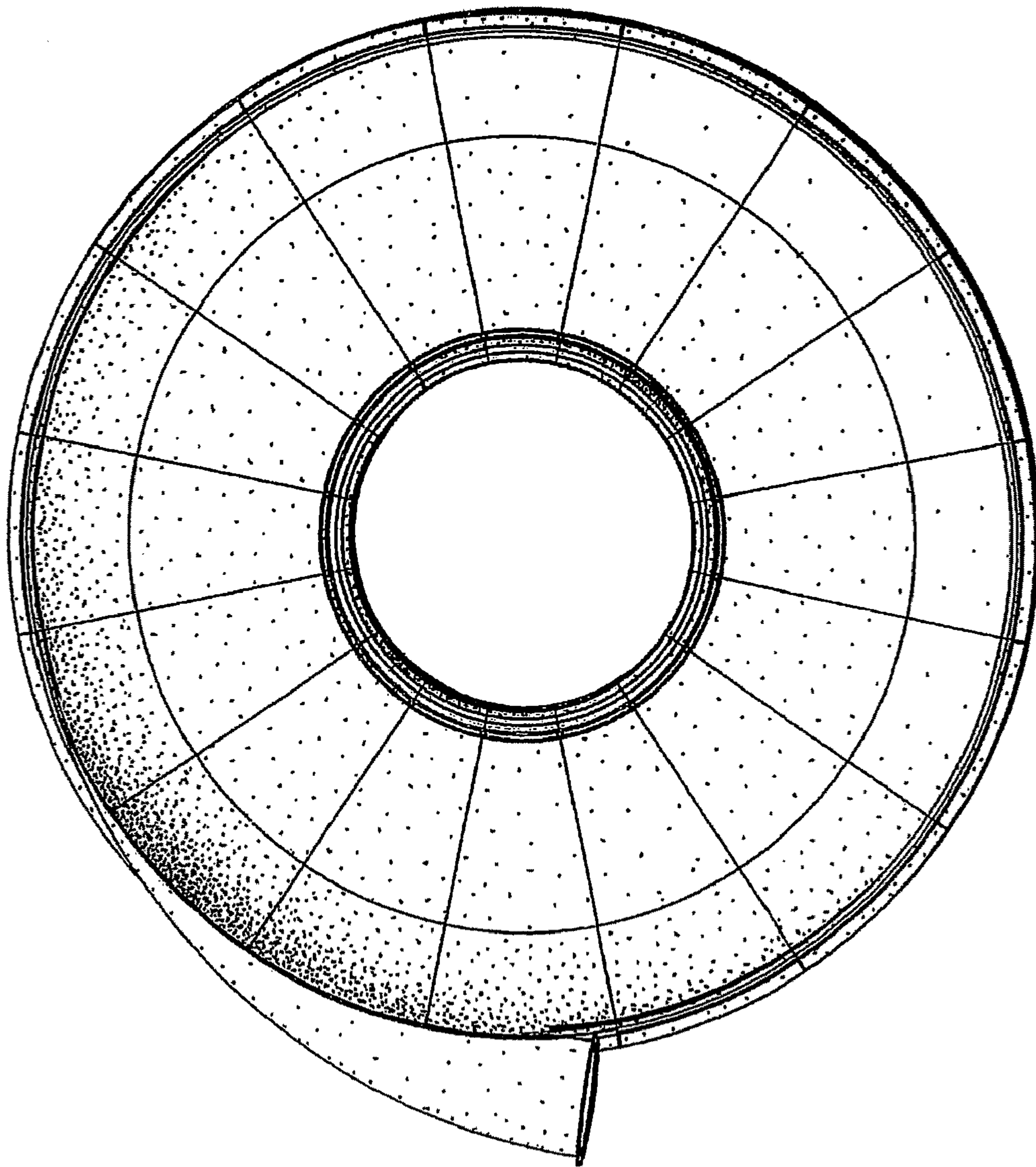


FIG. 2

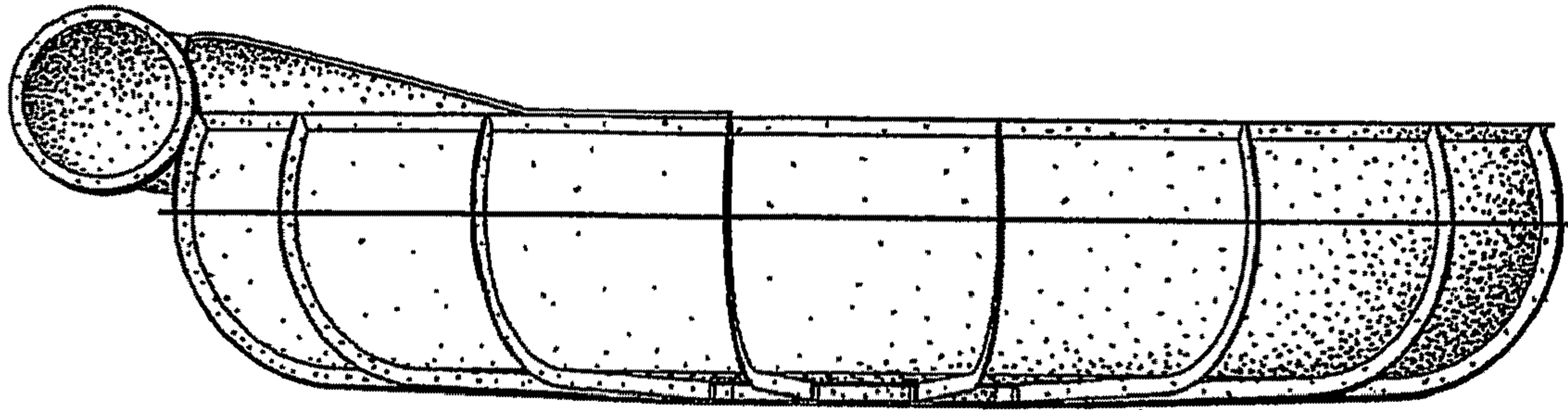


FIG. 3

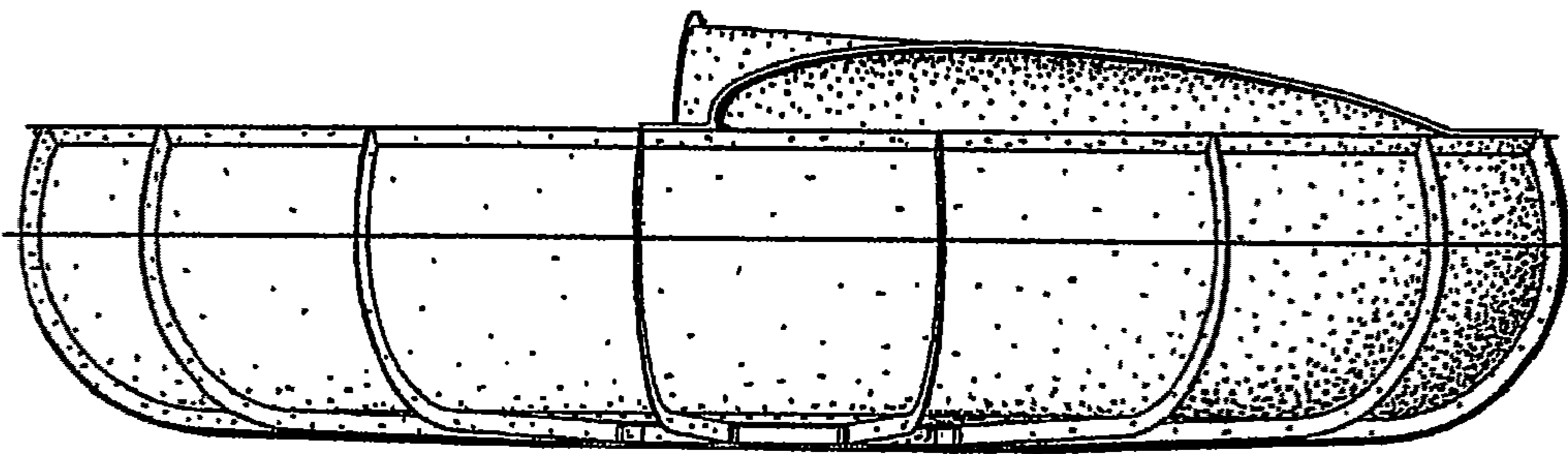


FIG. 4

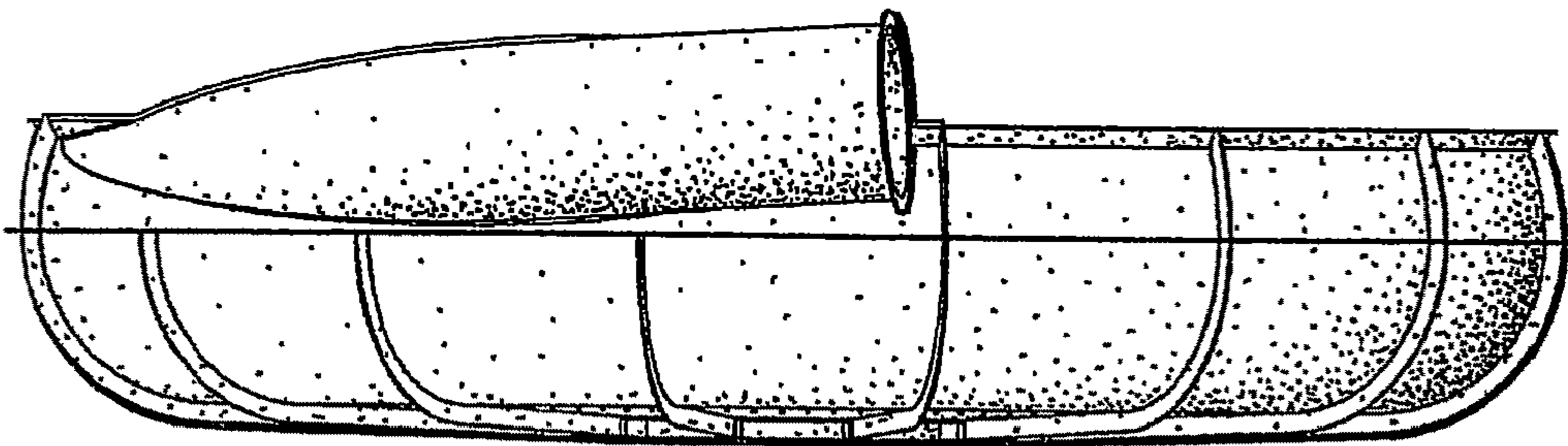


FIG. 5

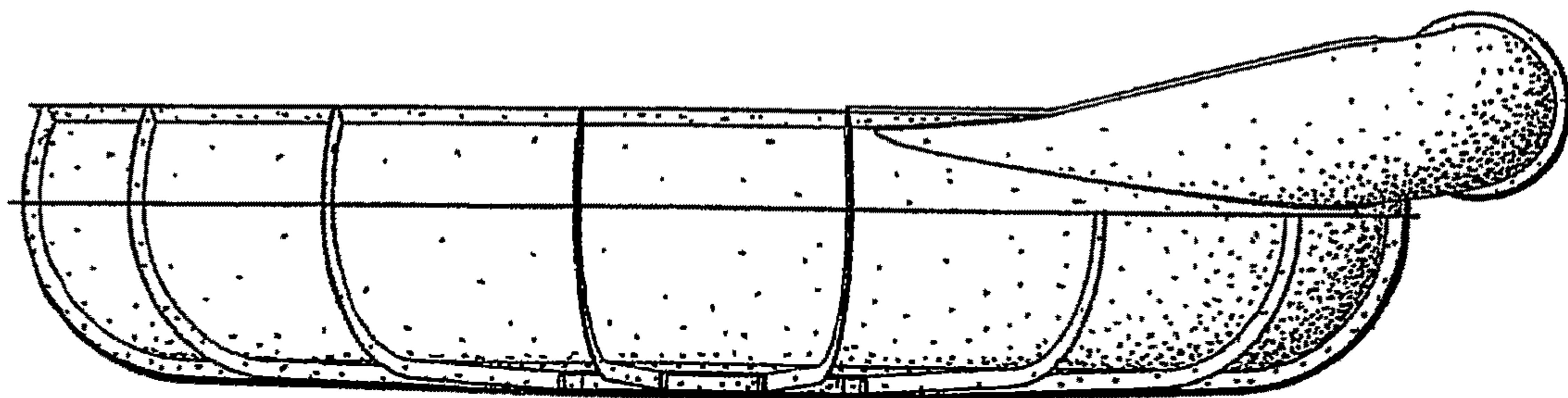


FIG. 6

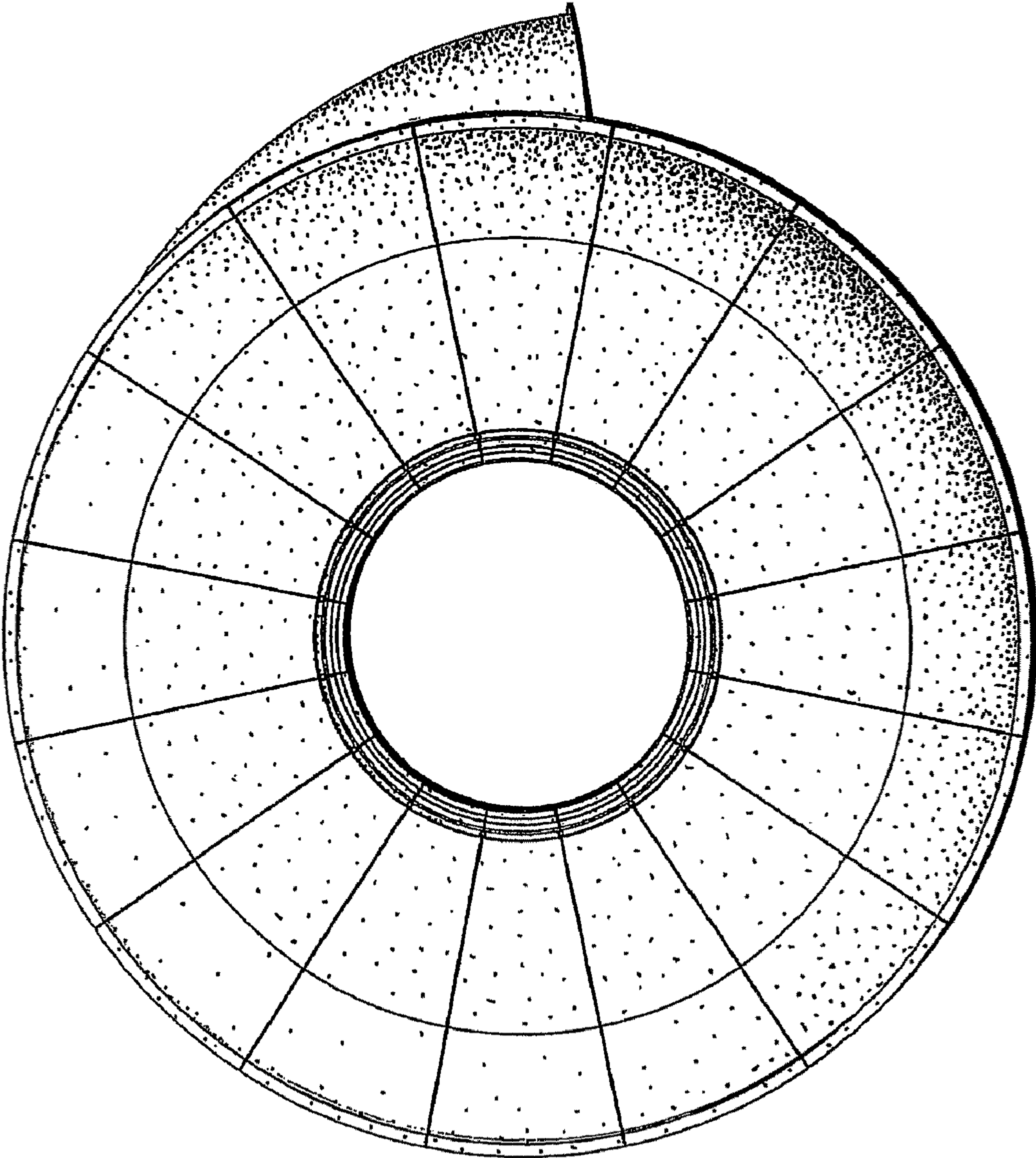


FIG. 7