



US00D583893S

(12) **United States Design Patent**
Ruff

(10) **Patent No.:** **US D583,893 S**

(45) **Date of Patent:** **** Dec. 30, 2008**

(54) **ALIGNMENT AID GOLF BALL MARKER**

(76) Inventor: **Bruce Ruff**, 6074 Nile Cir., Golden, CO
(US) 80403

(**) Term: **14 Years**

(21) Appl. No.: **29/284,486**

(22) Filed: **Sep. 10, 2007**

(51) **LOC (8) Cl.** **21-02**

(52) **U.S. Cl.** **D21/794**

(58) **Field of Classification Search** D21/789,
D21/793-794; 473/285, 406

See application file for complete search history.

(56) **References Cited**

U.S. PATENT DOCUMENTS

D293,261	S	*	12/1987	Sadowski	D21/794
5,356,133	A	*	10/1994	Bellagamba	473/406
D411,276	S	*	6/1999	Rosenfeld	D21/789
D428,954	S	*	8/2000	Tate	D21/793
D445,160	S	*	7/2001	Hueber	D21/794
D446,277	S	*	8/2001	Tate	D21/794
D456,476	S	*	4/2002	Tate	D21/794
D462,102	S	*	8/2002	Urbik	D21/794
D472,289	S	*	3/2003	Tate	D21/794
D480,444	S	*	10/2003	Marchessault et al.	D21/794
D488,528	S	*	4/2004	Kennedy	D21/793
D516,657	S	*	3/2006	Caramico	D21/793
D520,588	S	*	5/2006	Morgan	D21/794
D530,767	S	*	10/2006	Davis et al.	D21/794

D540,902 S * 4/2007 Regalado D21/794

* cited by examiner

Primary Examiner—Mitchell I Siegel

(74) *Attorney, Agent, or Firm*—Marian J. Furst

(57) **CLAIM**

The ornamental design for an alignment aid golf ball marker, as shown and described.

DESCRIPTION

FIG. 1 is a top view of the alignment aid golf ball marker; FIG. 2 is a top perspective view of the alignment aid golf ball marker; FIG. 3 is a bottom view of the alignment aid golf ball marker; FIG. 4 is a left side view of the alignment aid golf ball marker; FIG. 5 is a rear view of the alignment aid golf ball marker; FIG. 6 is a front view of the alignment aid golf ball marker; and, FIG. 7 is a top view of the alignment aid golf ball marker shown in relation to a golf ball.

The line on the top of the marker between the center of the curved edge and the point is part of the design. The right side of the alignment aid golf ball marker is a mirror image of the left side. The broken lines in FIG. 7 form no part of the design and are used to indicate a golf ball in an environment in which the golf ball marker may be used.

1 Claim, 2 Drawing Sheets

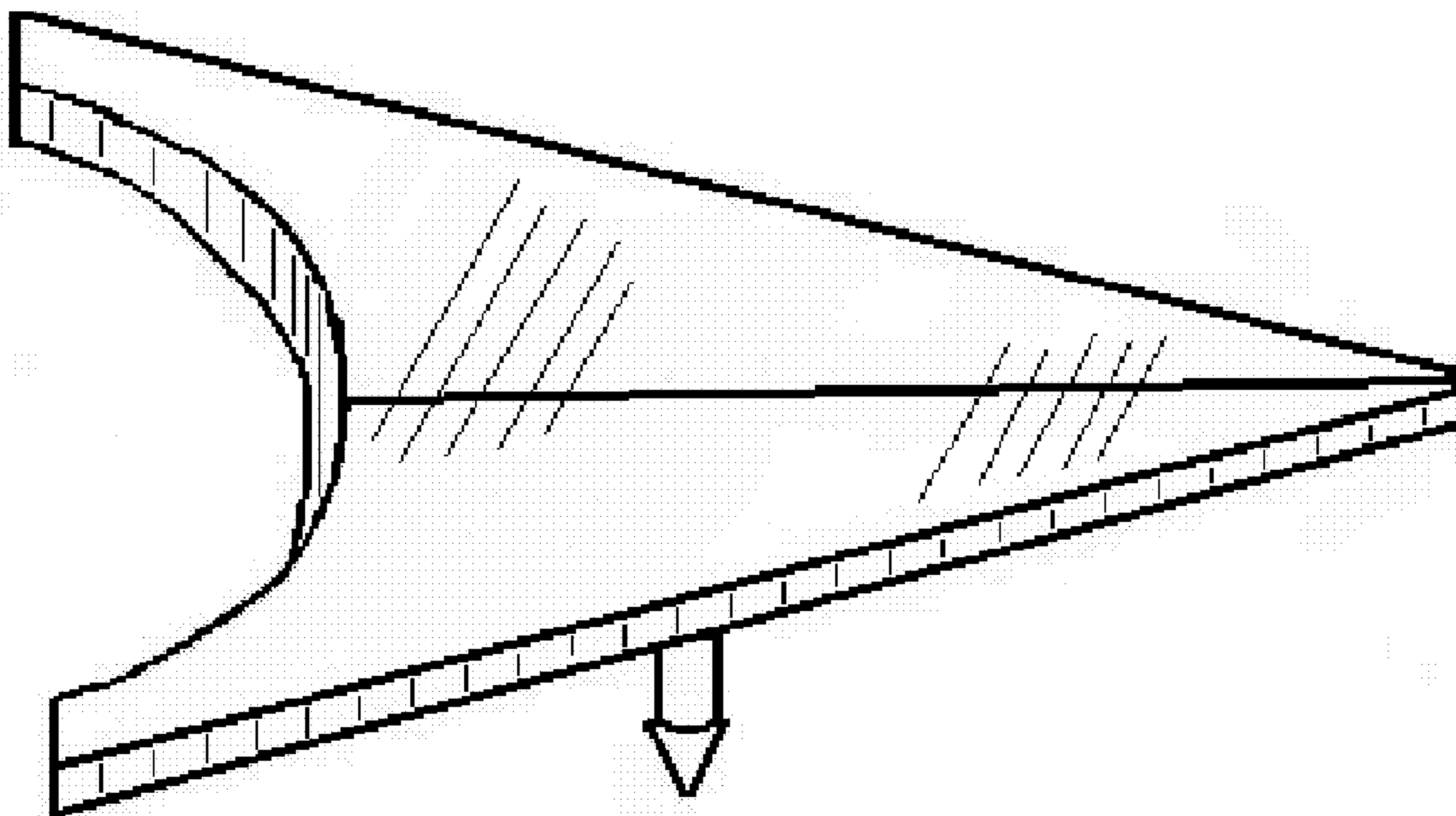


Fig. 1

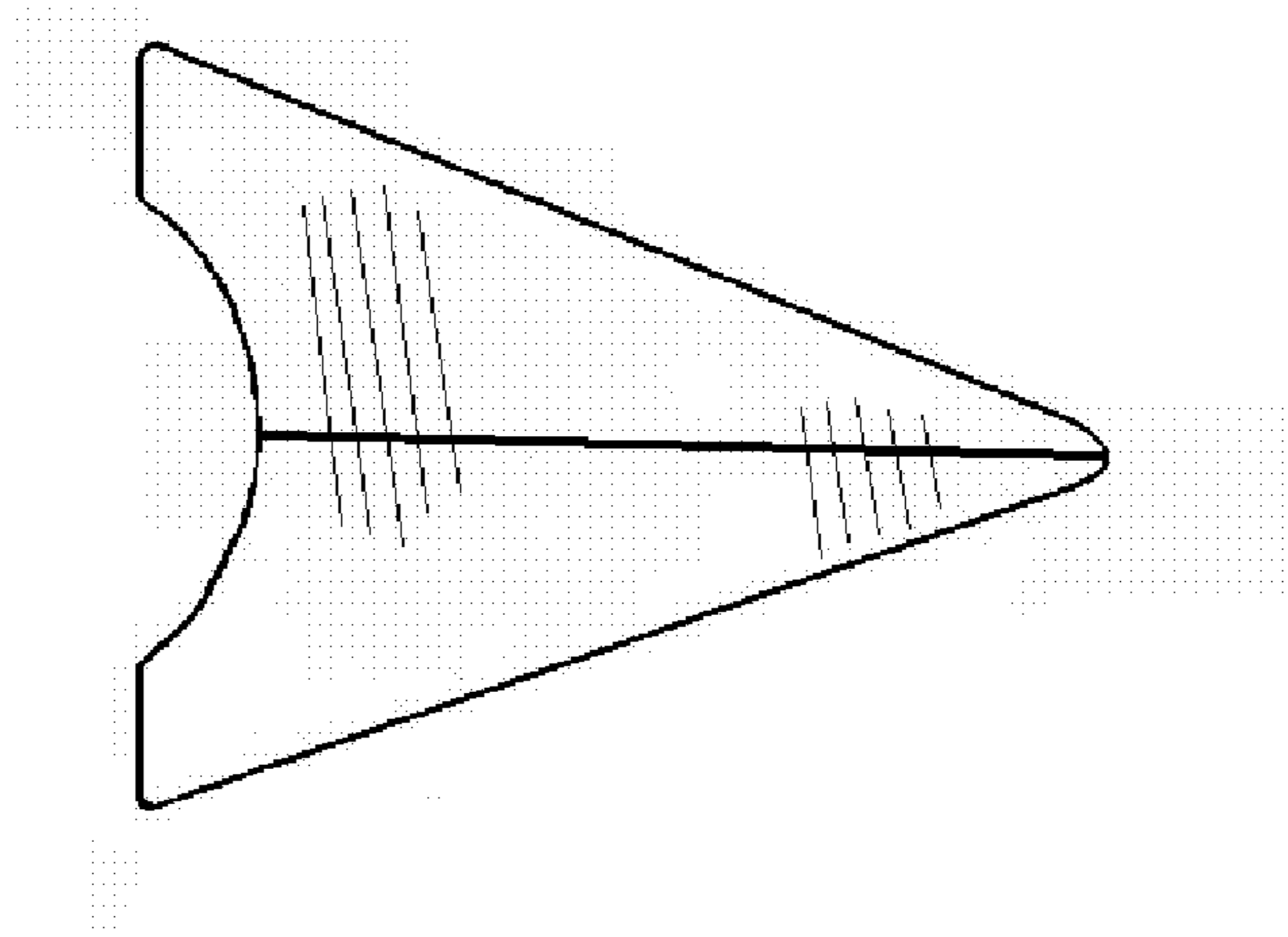


Fig. 2

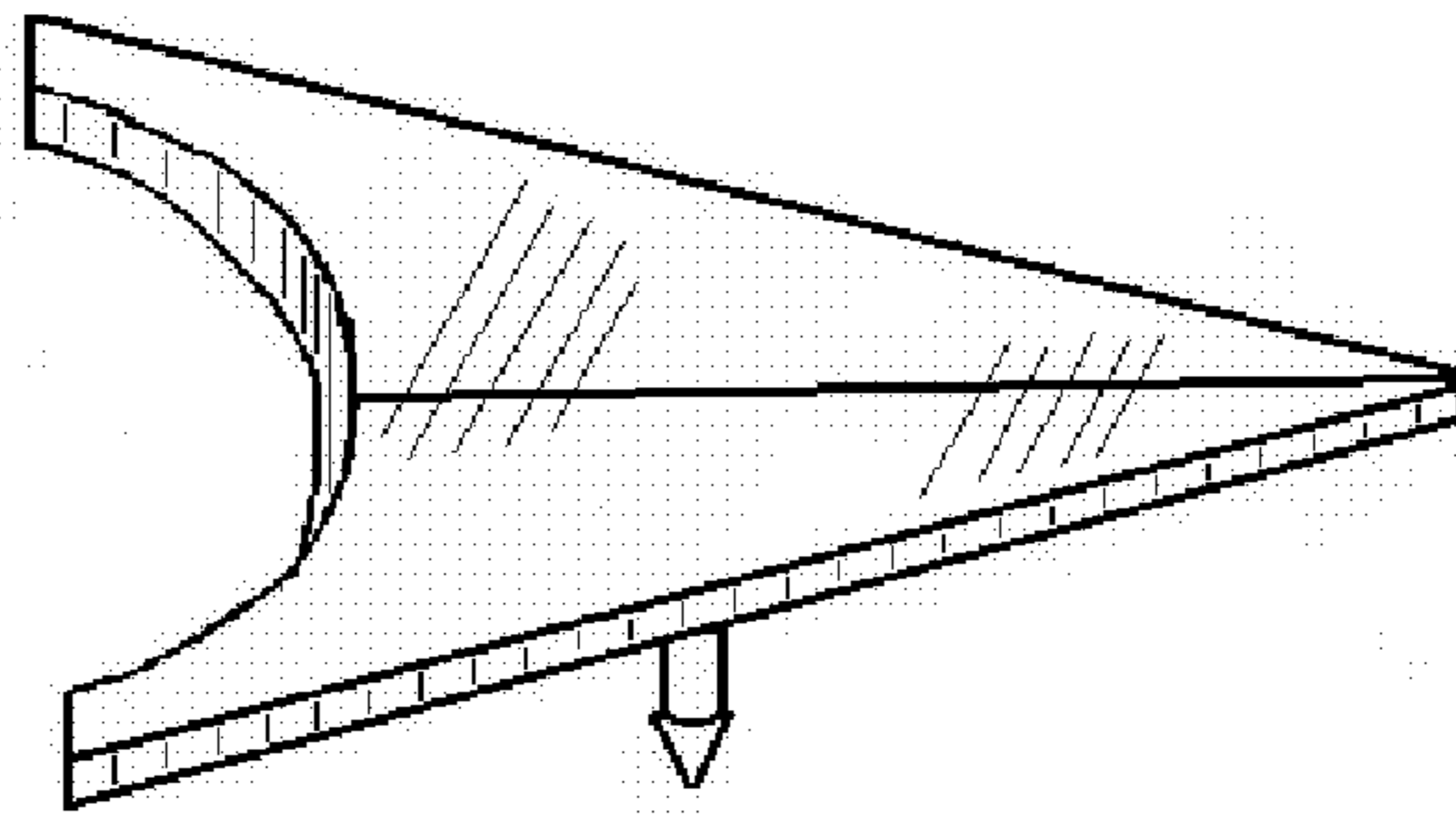


Fig. 3

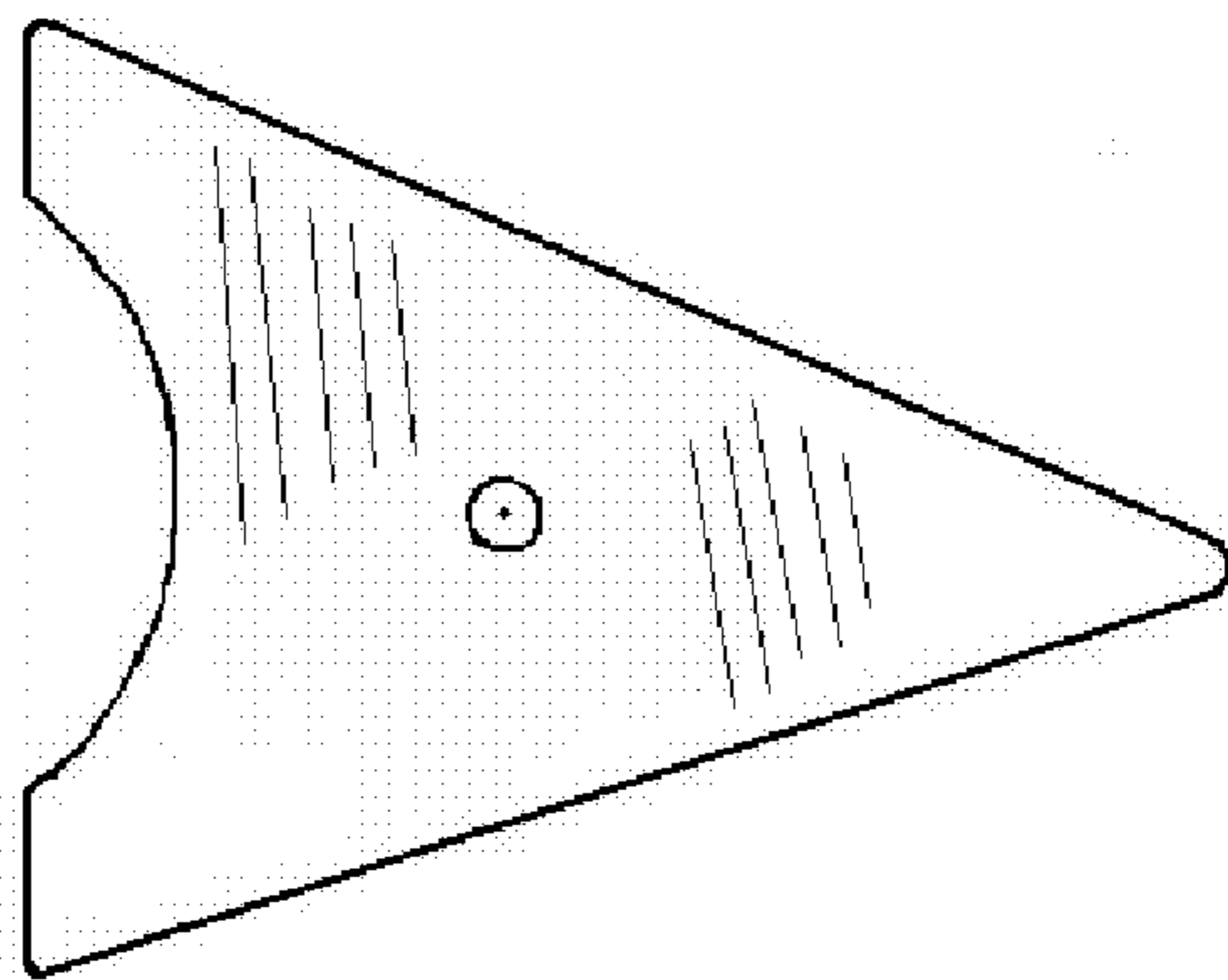


Fig. 4

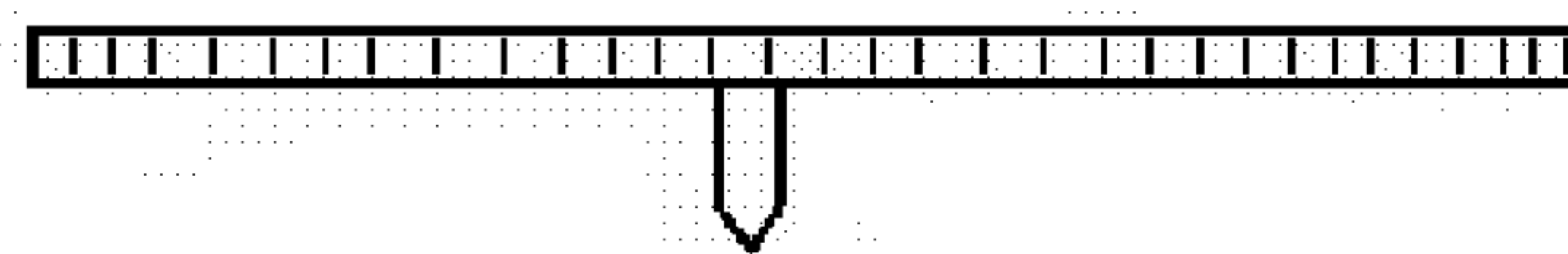


Fig. 5

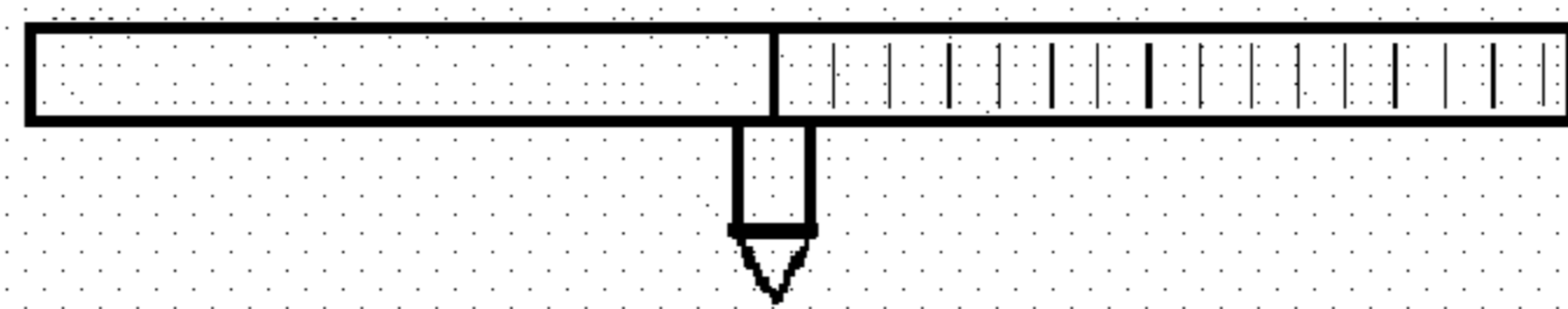


Fig. 6

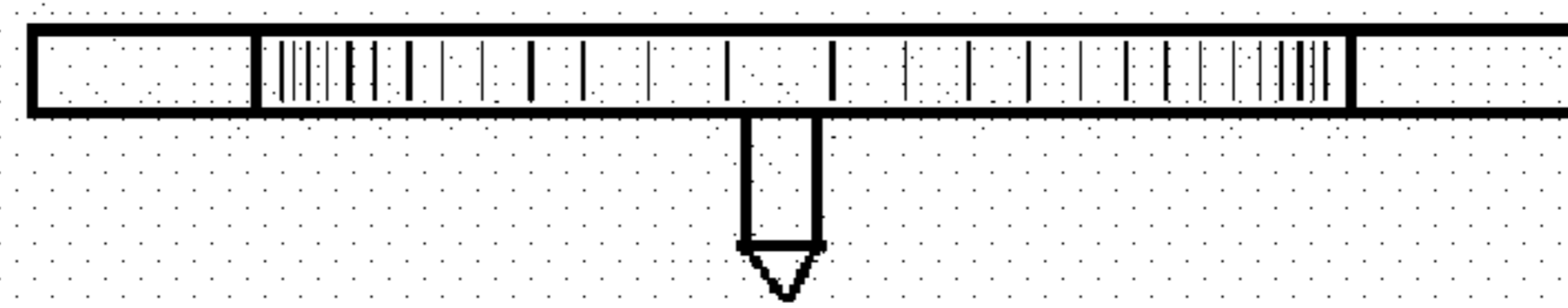


Fig. 7

