



US00D583889S

(12) **United States Design Patent**
Stites et al.

(10) **Patent No.:** **US D583,889 S**

(45) **Date of Patent:** **** Dec. 30, 2008**

(54) **GOLF CLUB HEAD FOR A PUTTER**

(75) Inventors: **John T. Stites**, Weatherford, TX (US);
Andrew G. V. Oldknow, Beaverton, OR
(US); **David N. Franklin**, Granbury, TX
(US)

(73) Assignee: **Nike, Inc.**, Beaverton, OR (US)

(**) Term: **14 Years**

(21) Appl. No.: **29/302,017**

(22) Filed: **Jan. 8, 2008**

(51) **LOC (8) Cl.** **21-02**

(52) **U.S. Cl.** **D21/759**

(58) **Field of Classification Search** D21/736-746;
473/324-331, 340-341, 251-256
See application file for complete search history.

(56) **References Cited**

U.S. PATENT DOCUMENTS

D101,265 S	9/1936	Barnhart	
D246,329 S	11/1977	Little	
D277,692 S *	2/1985	MacDougall D21/745
5,324,031 A	6/1994	Green	
D380,029 S *	6/1997	Anderson D21/745
D380,515 S	7/1997	Fabbri, Jr. et al.	
D393,031 S	3/1998	Cameron	
D400,942 S	11/1998	Billings	
D407,445 S	3/1999	Rollinson et al.	
D410,717 S	6/1999	Anderson	
D413,951 S	9/1999	Storer et al.	
D414,831 S	10/1999	Matsuo	
D420,411 S	2/2000	Hettinger	
D425,590 S	5/2000	Godown	
D428,951 S	8/2000	Godown	
D434,093 S	11/2000	Mathews, Jr.	
D444,194 S *	6/2001	Calabro D21/738
6,575,845 B2	6/2003	Galloway et al.	
D484,937 S	1/2004	Madore et al.	
D486,873 S	2/2004	Sorensen	
D488,200 S	4/2004	Olsavsky et al.	
6,890,267 B2	5/2005	Mahaffey et al.	
D508,276 S *	8/2005	Madore D21/759

D513,048 S	12/2005	Garner et al.
6,988,960 B2	1/2006	Mahaffey et al.
D523,104 S	6/2006	Hasebe
D529,108 S	9/2006	Stites et al.
7,131,912 B1	11/2006	Knuth
D537,136 S	2/2007	De La Cruz
D548,296 S	8/2007	Rollinson
7,255,650 B2	8/2007	Braynt et al.
7,264,558 B2	9/2007	Kubica
2002/0169034 A1	11/2002	Hocknell et al.
2003/0125127 A1	7/2003	Nakahara et al.
2003/0176238 A1	9/2003	Galloway et al.
2006/0094529 A1	5/2006	Hocknell et al.
2007/0043402 A1	2/2007	Echaz et al.
2007/0049402 A1	3/2007	Sanchez et al.
2007/0191137 A1	8/2007	Nishino
2007/0213141 A1	9/2007	Jones

OTHER PUBLICATIONS

Edwin Watts Golf Magazine, Father's Day 2003, p. 10 (Taylor Made Monze Putter #5623).

* cited by examiner

Primary Examiner—Mitchell I Siegel

(74) *Attorney, Agent, or Firm*—Banner & Witcoff, Ltd.

(57) **CLAIM**

The ornamental design for a golf club head for a putter, as shown and described.

DESCRIPTION

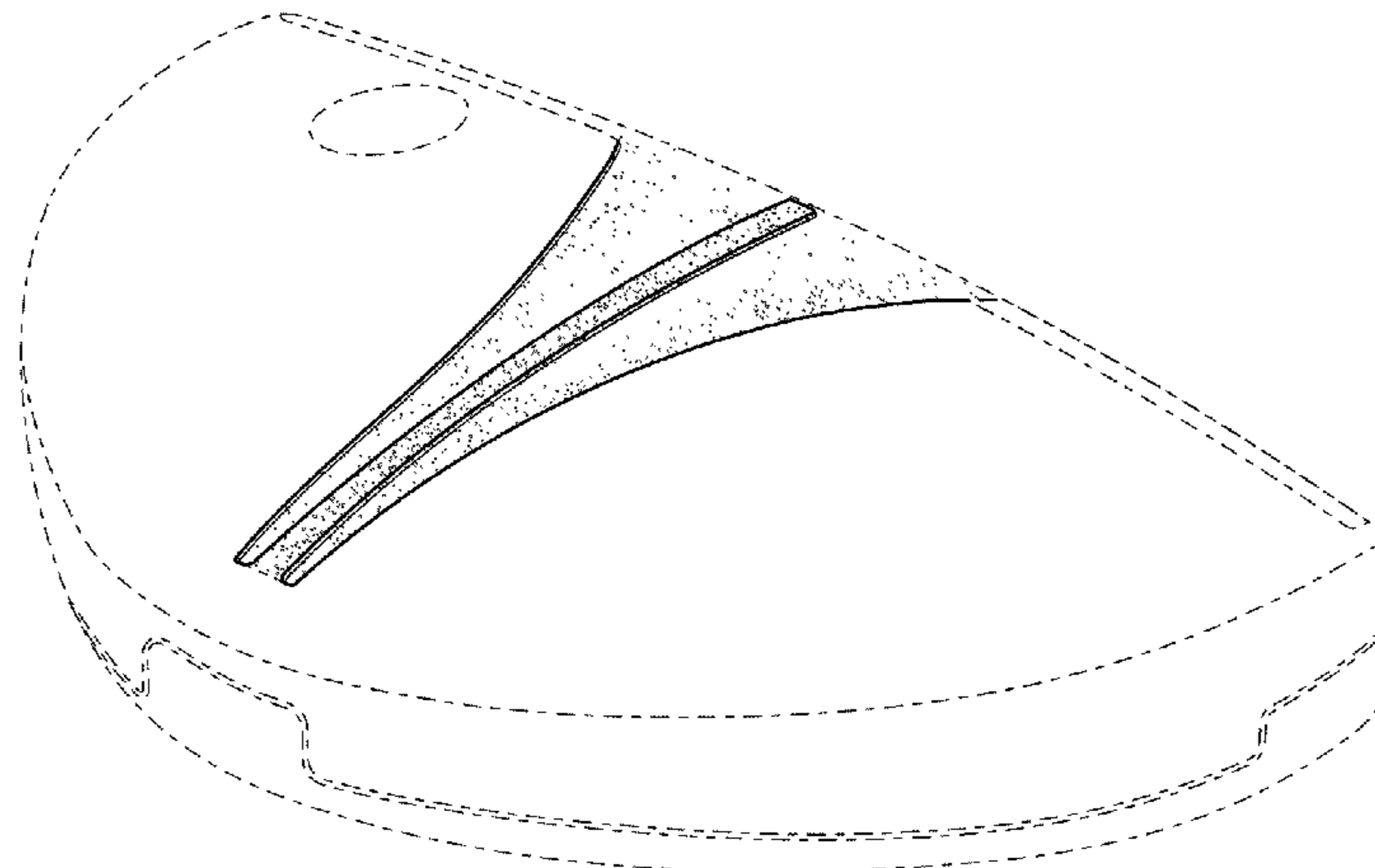
FIG. 1 is a top view of a golf club head for a putter showing our new design;

FIG. 2 is a rear view thereof; and,

FIG. 3 is a rear perspective view thereof.

The broken line showing of the remainder of the golf club head for a putter is for illustrative purposes only and forms no part of the claimed design. The broken line adjacent the front portion of the shaded area forms an unclaimed boundary and forms no part of the claimed design. The unshown portion of the golf club head for a putter forms no part of the claimed design. The depicted contrast in shading represents a change in appearance due to material, texture, or color.

1 Claim, 2 Drawing Sheets



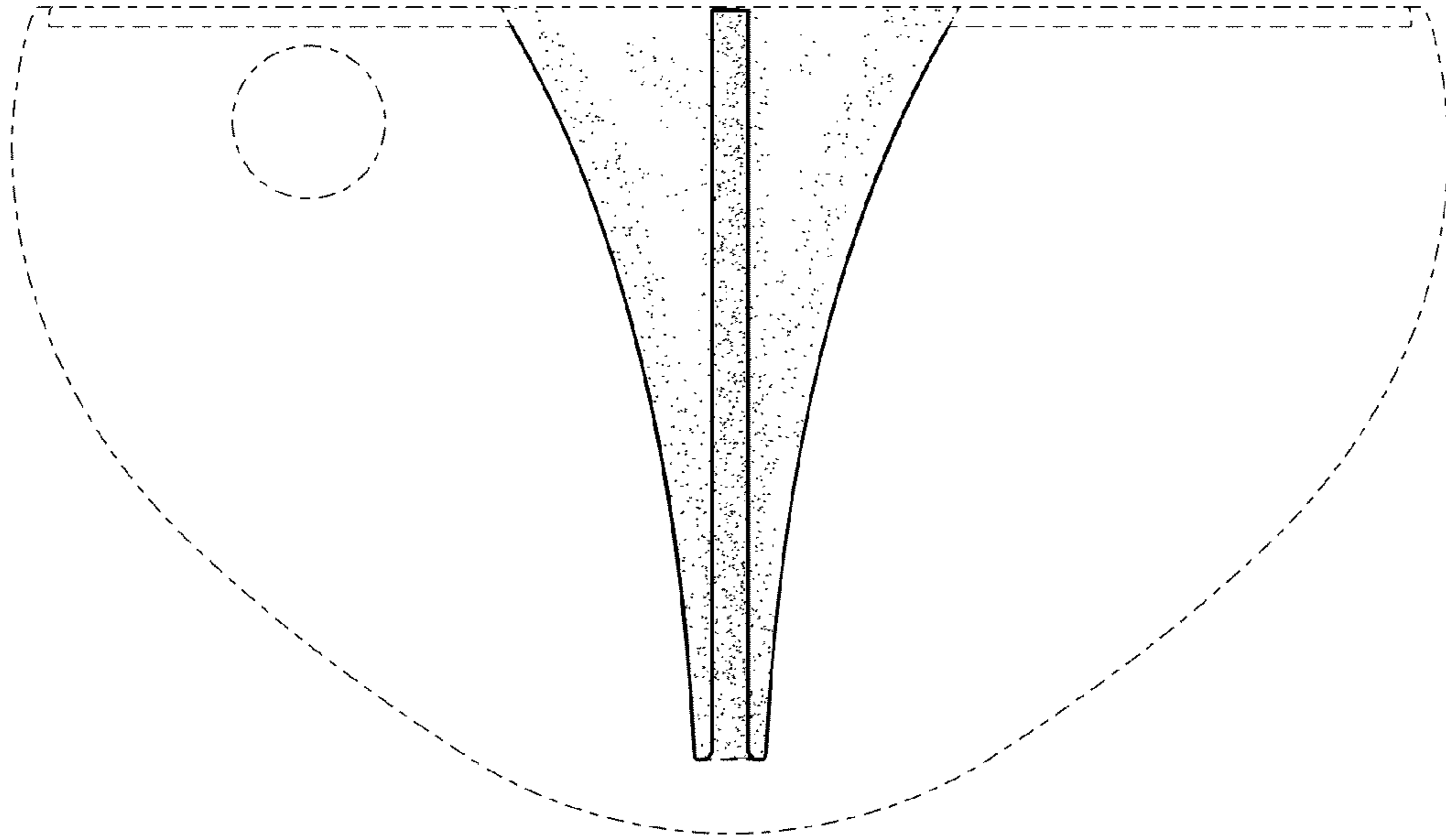


FIG. 1

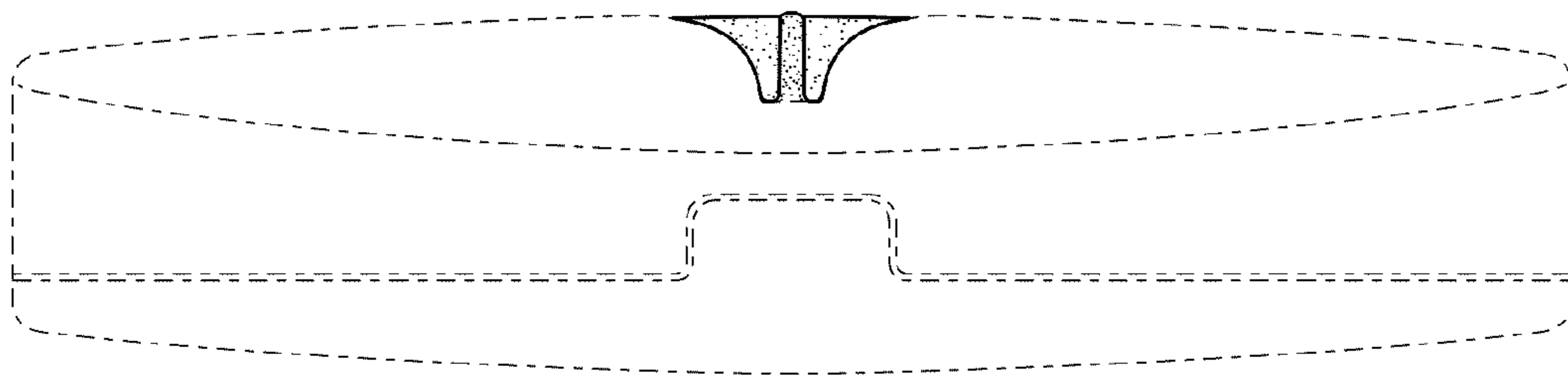


FIG. 2

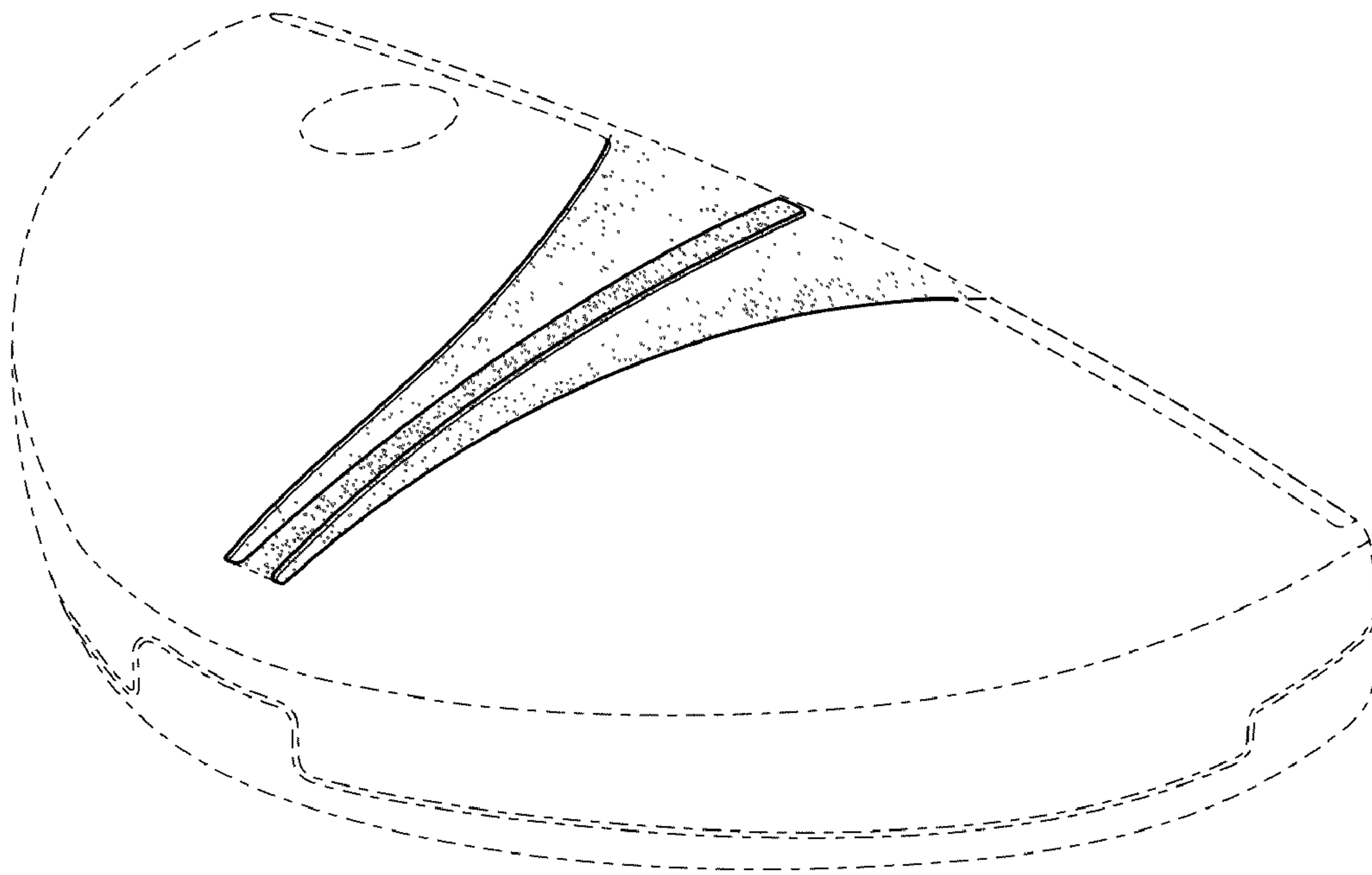


FIG. 3