



US00D583888S

(12) **United States Design Patent**
Nehrbas

(10) **Patent No.:** **US D583,888 S**

(45) **Date of Patent:** **** Dec. 30, 2008**

(54) **GOLF PRACTICE PUTTING AID**

(76) Inventor: **George M. Nehrbas**, 187 Norwich H,
West Palm Beach, FL (US) 33417

(**) Term: **14 Years**

(21) Appl. No.: **29/284,697**

(22) Filed: **Sep. 13, 2007**

(51) **LOC (8) Cl.** **21-02**

(52) **U.S. Cl.** **D21/759**

(58) **Field of Classification Search** D21/736-746,
D21/753, 759; 473/251-256, 236, 219, 223,
473/226

See application file for complete search history.

(56) **References Cited**

U.S. PATENT DOCUMENTS

3,489,415	A *	1/1970	Smith	473/236
4,323,246	A *	4/1982	Nehrbas, Jr.	473/236
5,135,228	A *	8/1992	Hawkins et al.	473/236
D353,178	S *	12/1994	Koleoglou	D21/759
D385,324	S *	10/1997	Ubaney	D21/759
6,780,119	B1 *	8/2004	Gankas	473/236
6,821,212	B2 *	11/2004	Fowler et al.	473/236
D510,970	S *	10/2005	Elias	D21/759

* cited by examiner

Primary Examiner—Mitchell I Siegel

(74) *Attorney, Agent, or Firm*—McHale & Slavin, P.A.

(57) **CLAIM**

The ornamental design for a golf practice putting aid, as shown and described.

DESCRIPTION

FIG. 1 is a top perspective view of the golf practice putting aid of the instant invention;

FIG. 2 is an enlarged top perspective view of the instant invention;

FIG. 3 is a top view of FIG. 2;

FIG. 4 is a bottom view of FIG. 2;

FIG. 5 is a front view of FIG. 2;

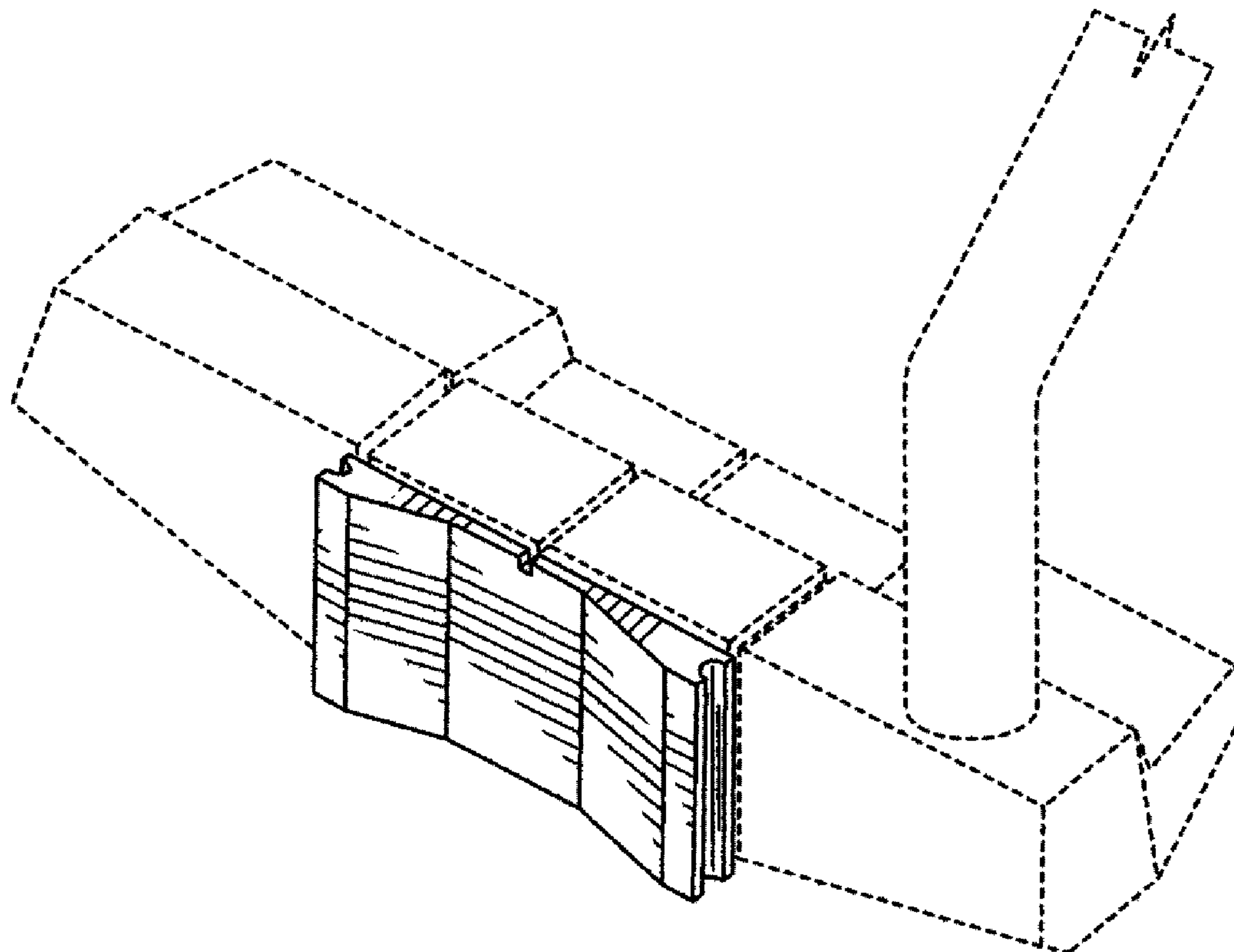
FIG. 6 is a rear view of FIG. 2;

FIG. 7 is a left end view of FIG. 2; and,

FIG. 8 is a right end view of FIG. 2.

The broken lines are for environmental illustration only and form no part of the claimed design.

1 Claim, 3 Drawing Sheets



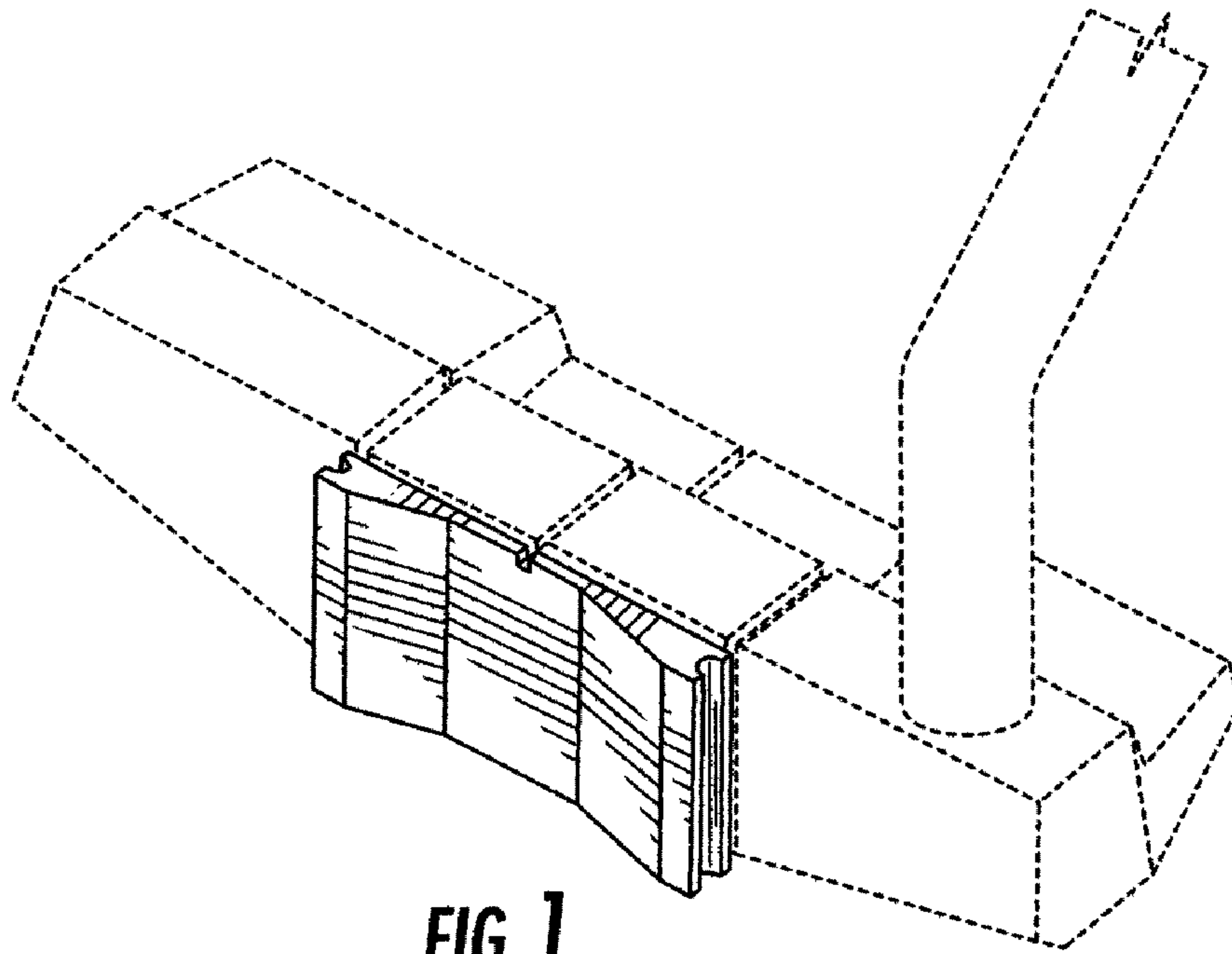


FIG. 1

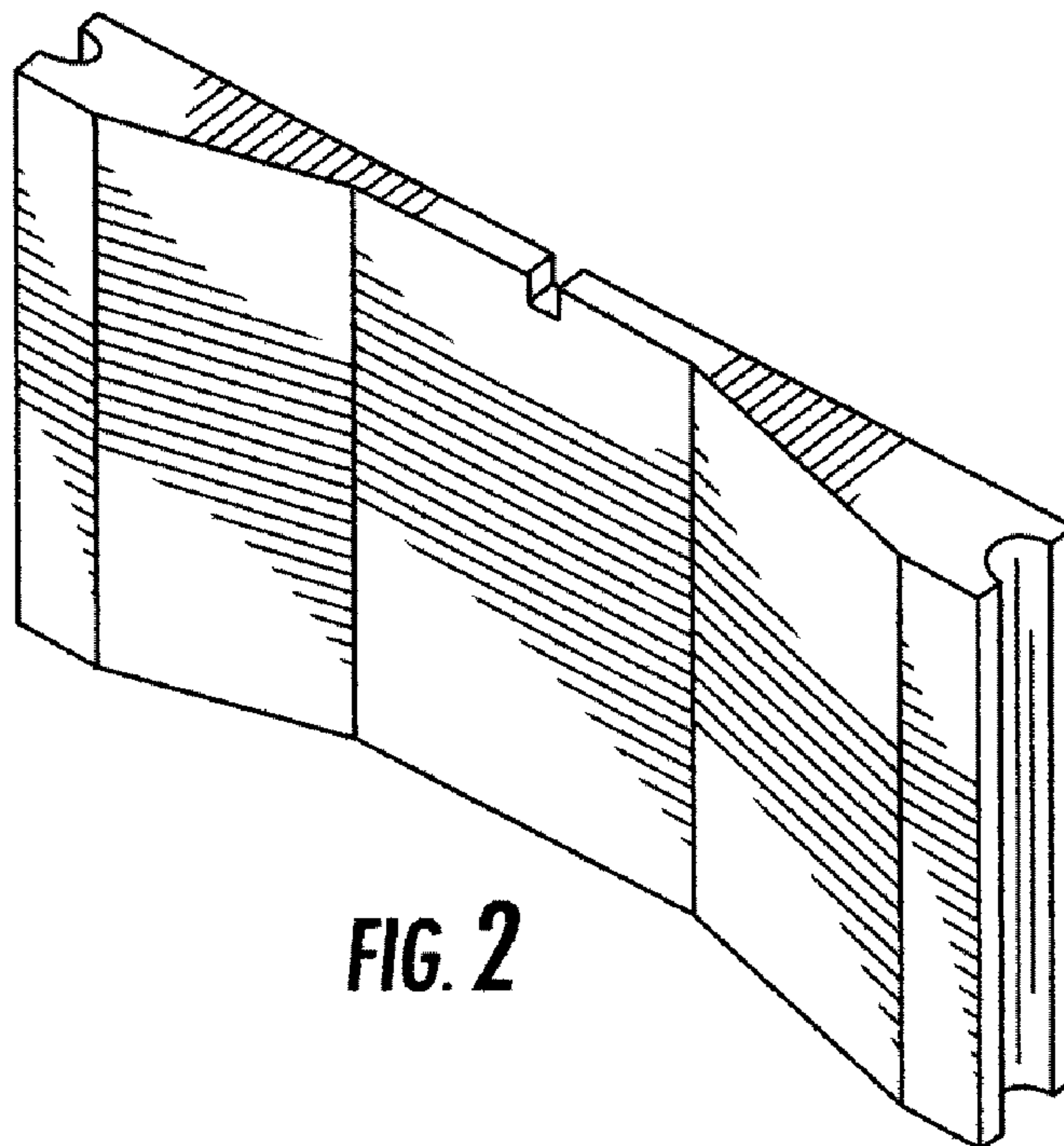


FIG. 2

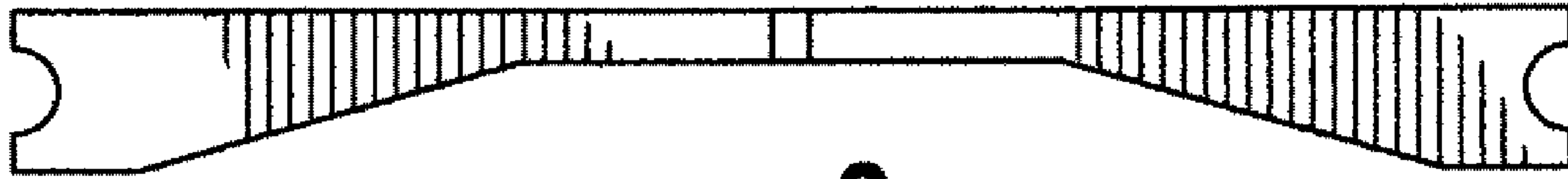


FIG. 3

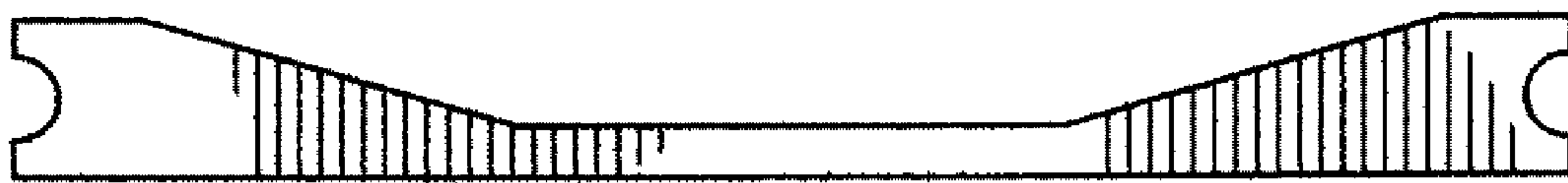


FIG. 4

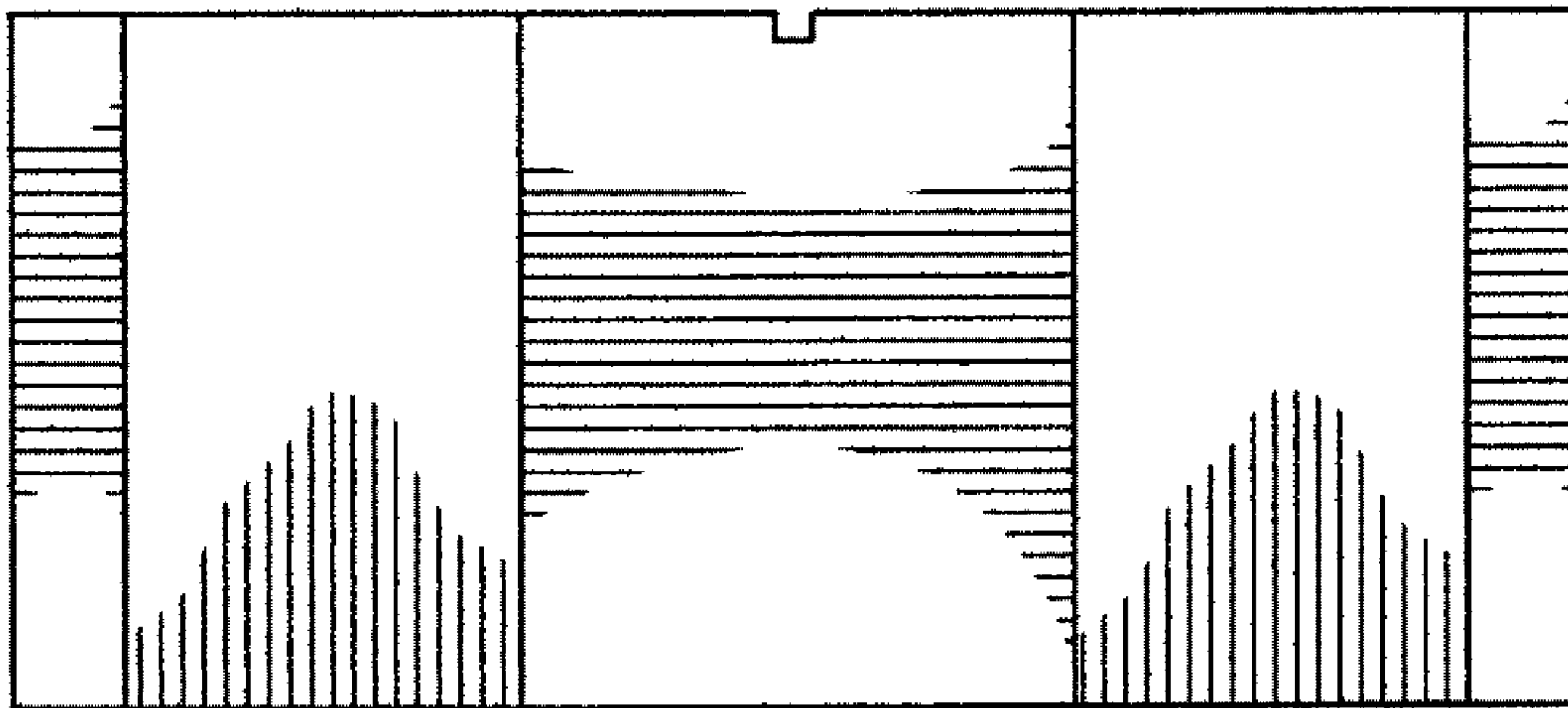


FIG. 5

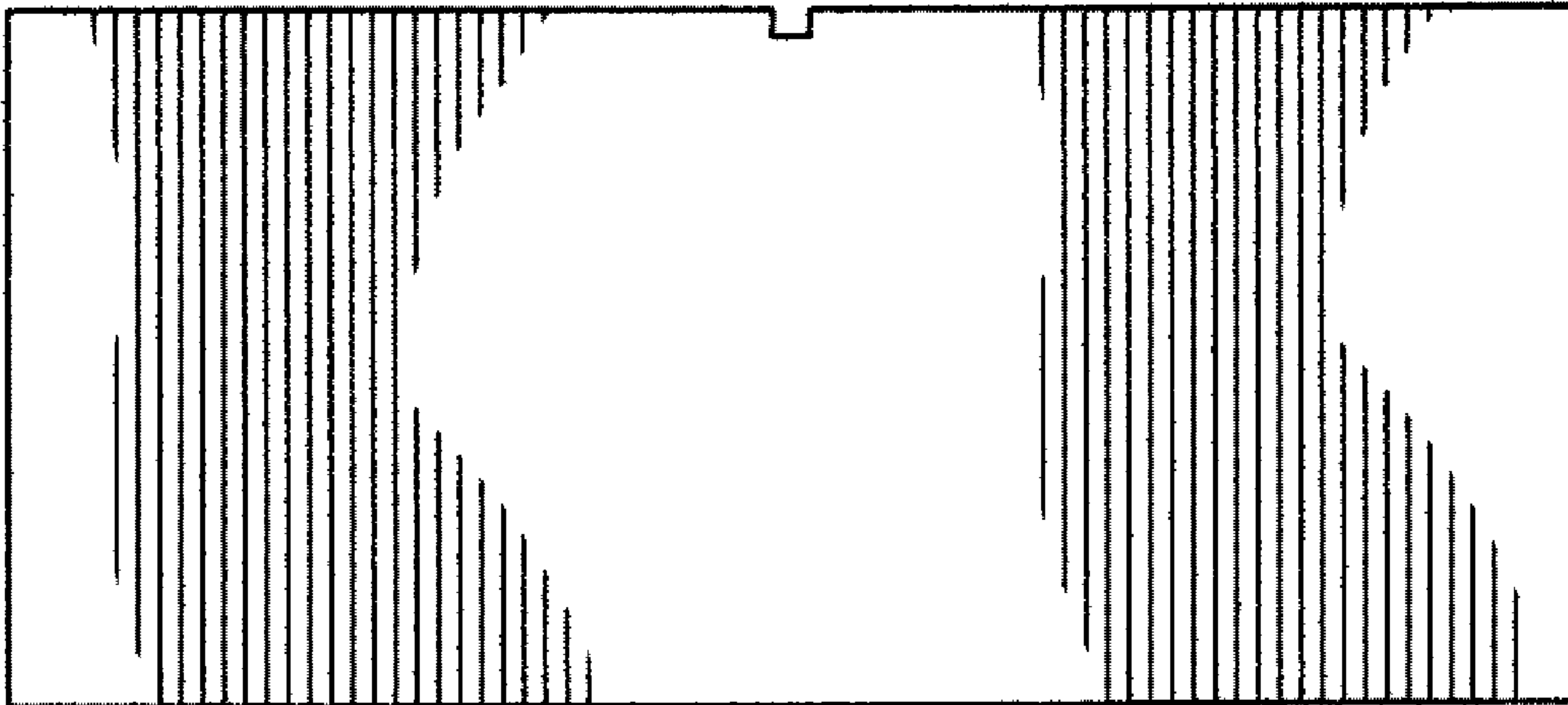


FIG. 6

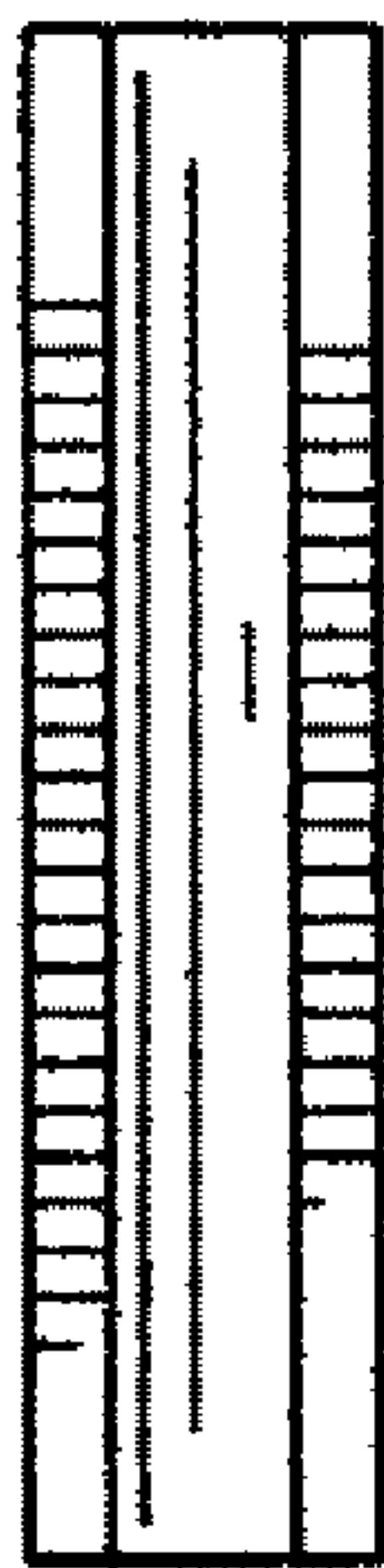


FIG. 7

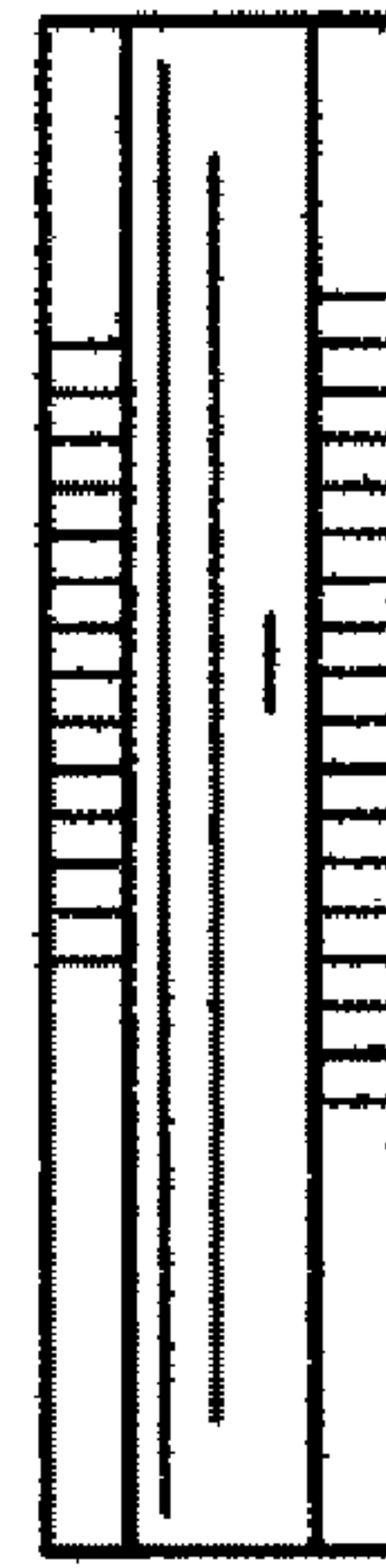


FIG. 8