



US00D583887S

(12) **United States Design Patent**
Cameron

(10) **Patent No.:** **US D583,887 S**

(45) **Date of Patent:** **** Dec. 30, 2008**

(54) **PUTTER HEAD**

D562,921 S * 2/2008 Nguyen et al. D21/742

(75) Inventor: **Don T. Cameron**, Carlsbad, CA (US)

* cited by examiner

(73) Assignee: **Acushnet Company**, Fairhaven, MA (US)

Primary Examiner—Mitchell I Siegel

(74) *Attorney, Agent, or Firm*—Kristin D. Wheeler

(**) Term: **14 Years**

(57) **CLAIM**

(21) Appl. No.: **29/284,497**

The ornamental design for a putter head, as shown and described.

(22) Filed: **Sep. 10, 2007**

DESCRIPTION

(51) **LOC (8) Cl.** **21-02**

(52) **U.S. Cl.** **D21/743**

(58) **Field of Classification Search** D21/736–746;
473/324–331, 340–341

See application file for complete search history.

FIG. 1 is a top back perspective view of my new design for a putter head;

FIG. 2 is a heel side view thereof;

FIG. 3 is a toe side view thereof;

FIG. 4 is a top view thereof;

FIG. 5 is a back view thereof;

FIG. 6 is a bottom view thereof; and,

FIG. 7 is a front view thereof.

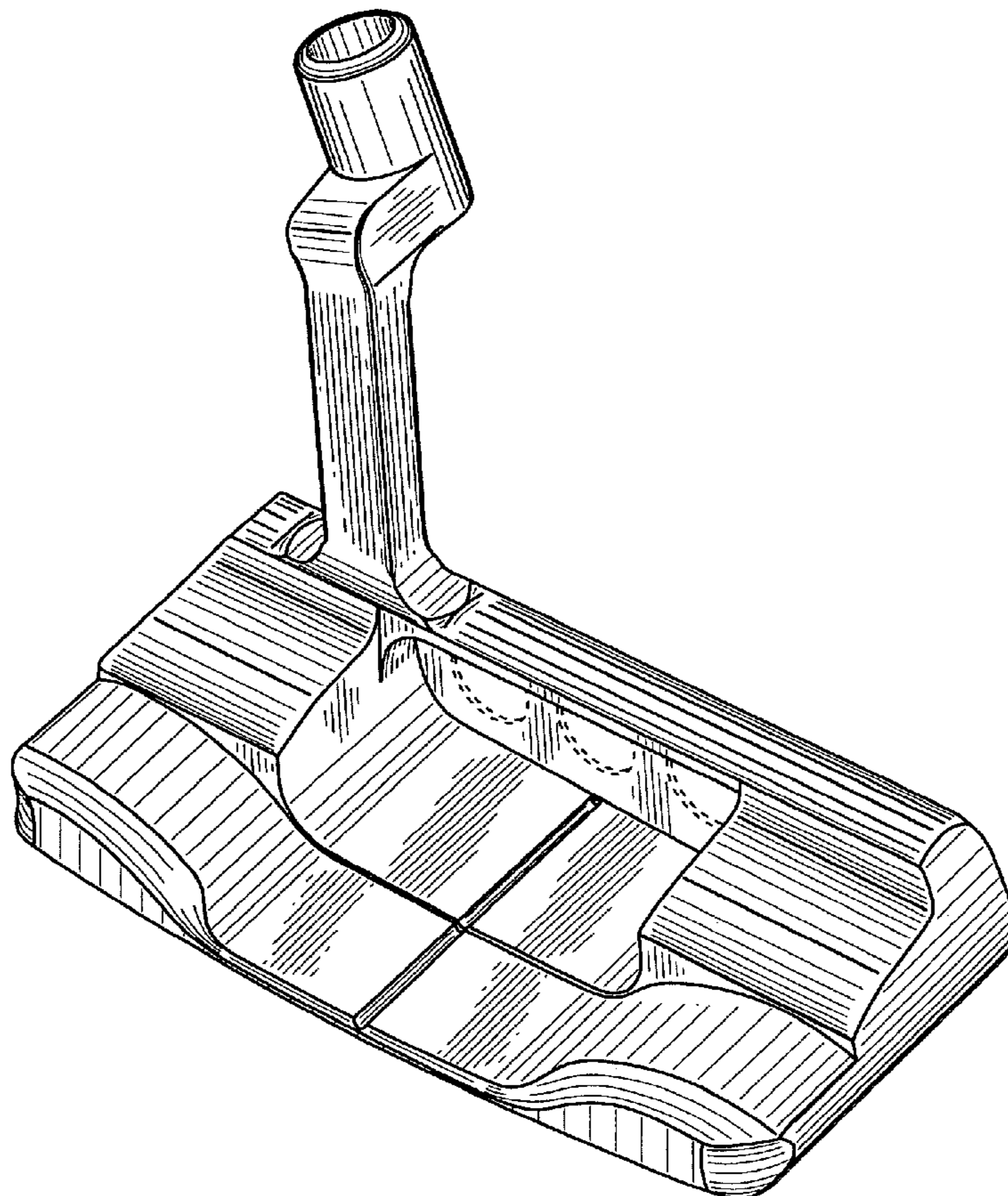
The portion of the club head shown in phantom is for illustrative purposes only and does not form any portion of the claimed design.

(56) **References Cited**

U.S. PATENT DOCUMENTS

D207,227 S *	3/1967	Solheim	D21/739
D389,207 S *	1/1998	Cameron	D21/742
D426,599 S *	6/2000	Morgan et al.	D21/736
D443,906 S *	6/2001	Hettinger et al.	D21/743
D521,580 S *	5/2006	Burrows	D21/736
D548,294 S *	8/2007	Nguyen et al.	D21/736
D552,196 S *	10/2007	Hueber	D21/742

1 Claim, 3 Drawing Sheets



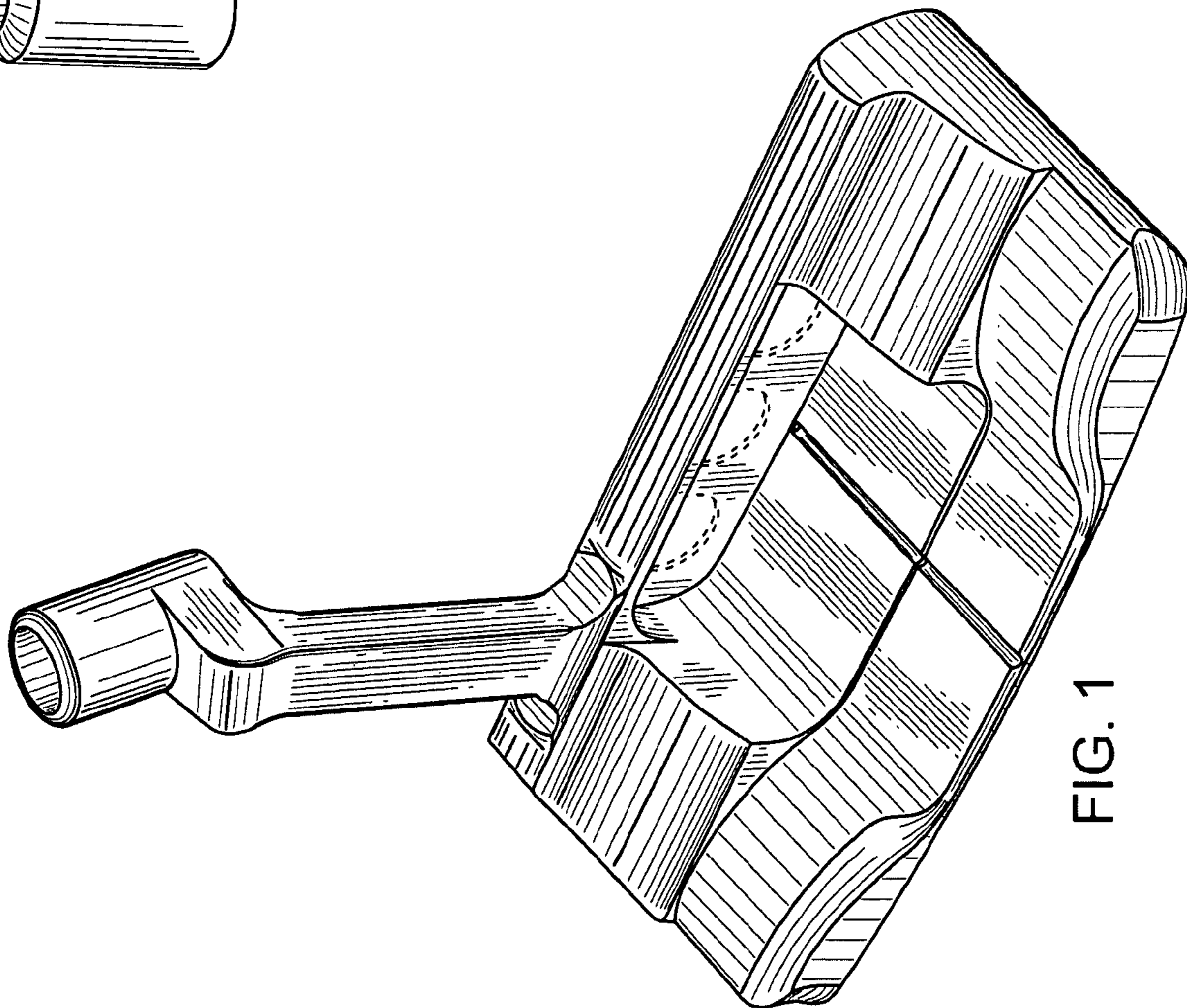
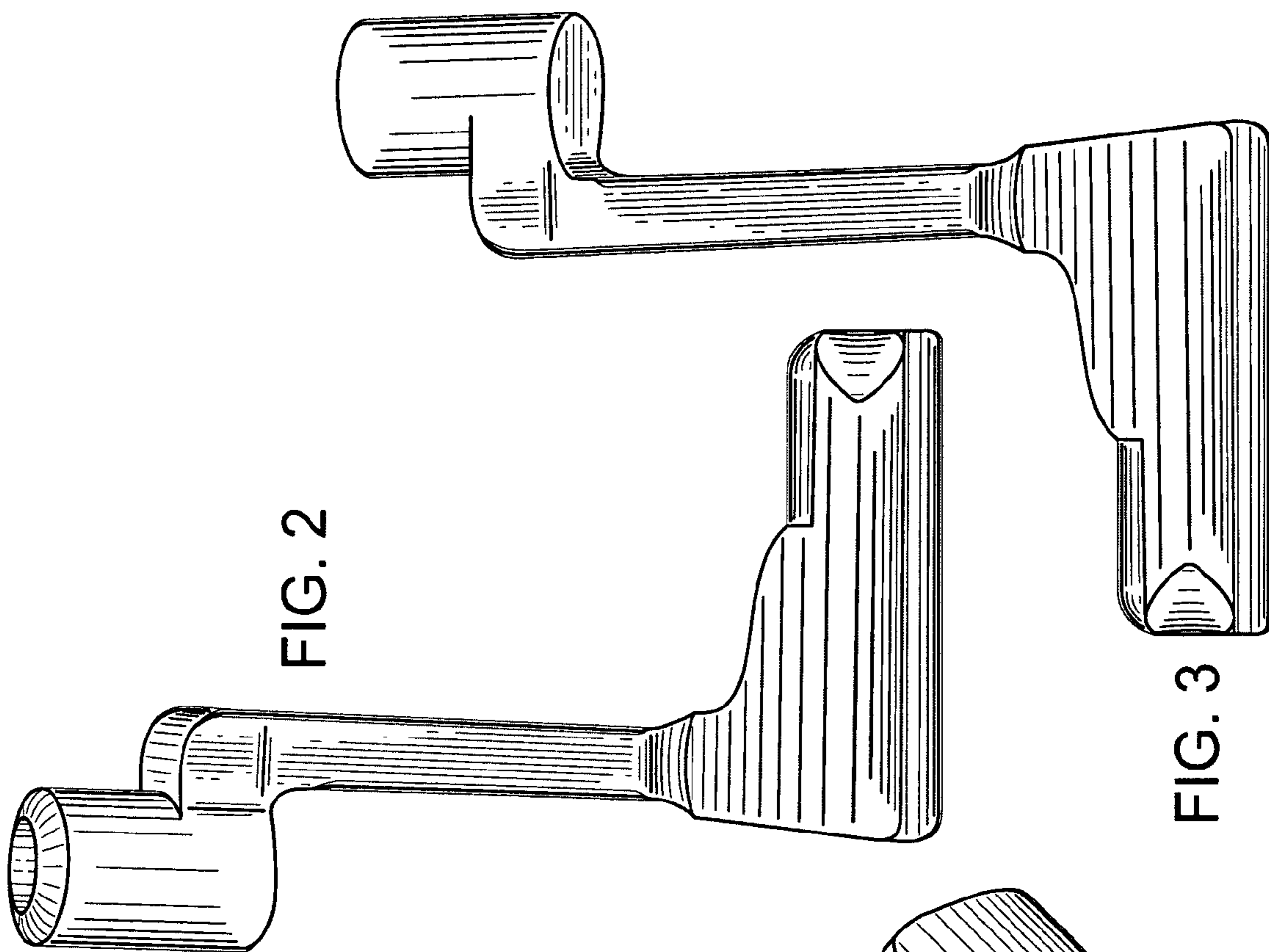


FIG. 2

FIG. 3

FIG. 1

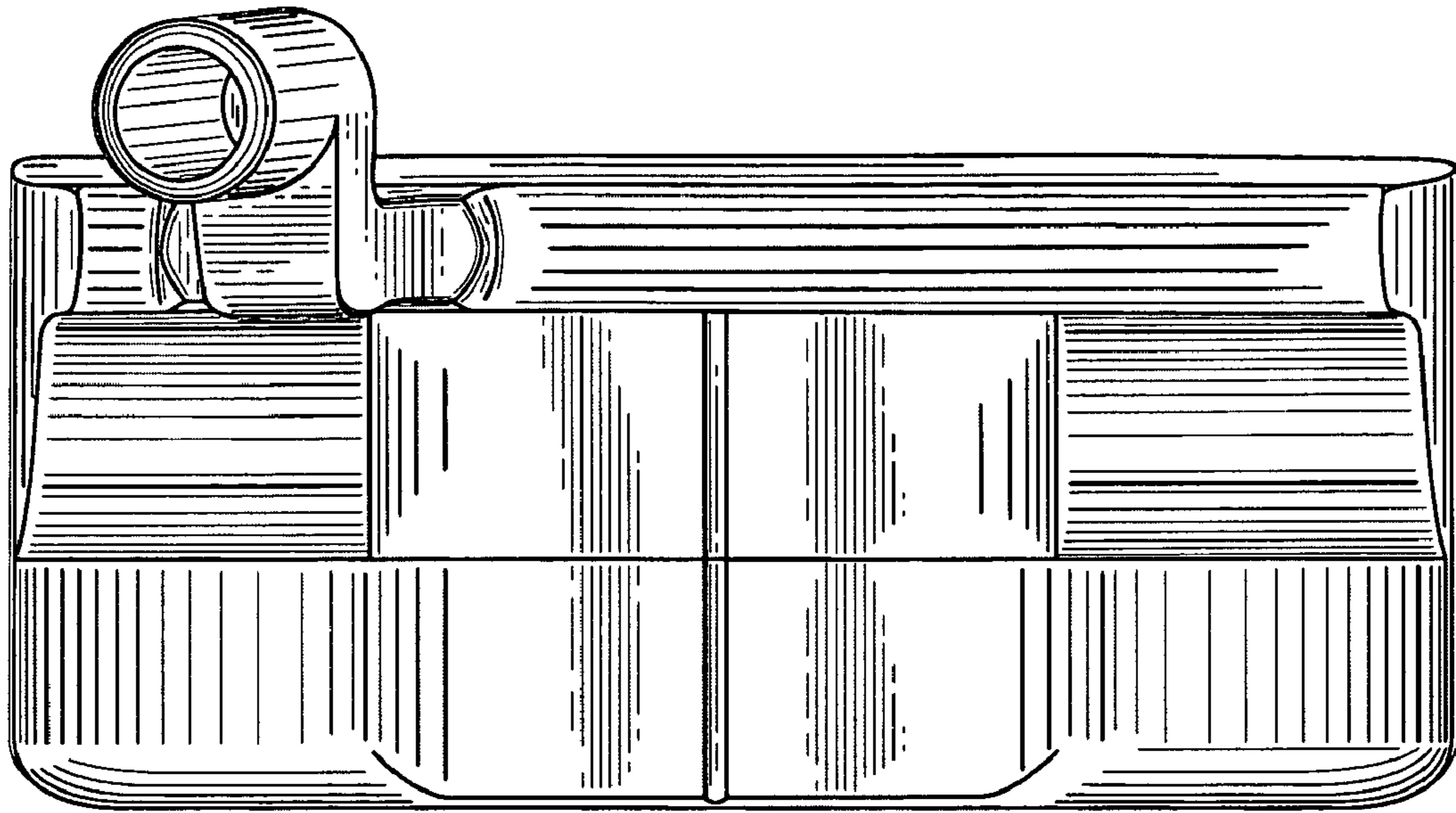


FIG. 4

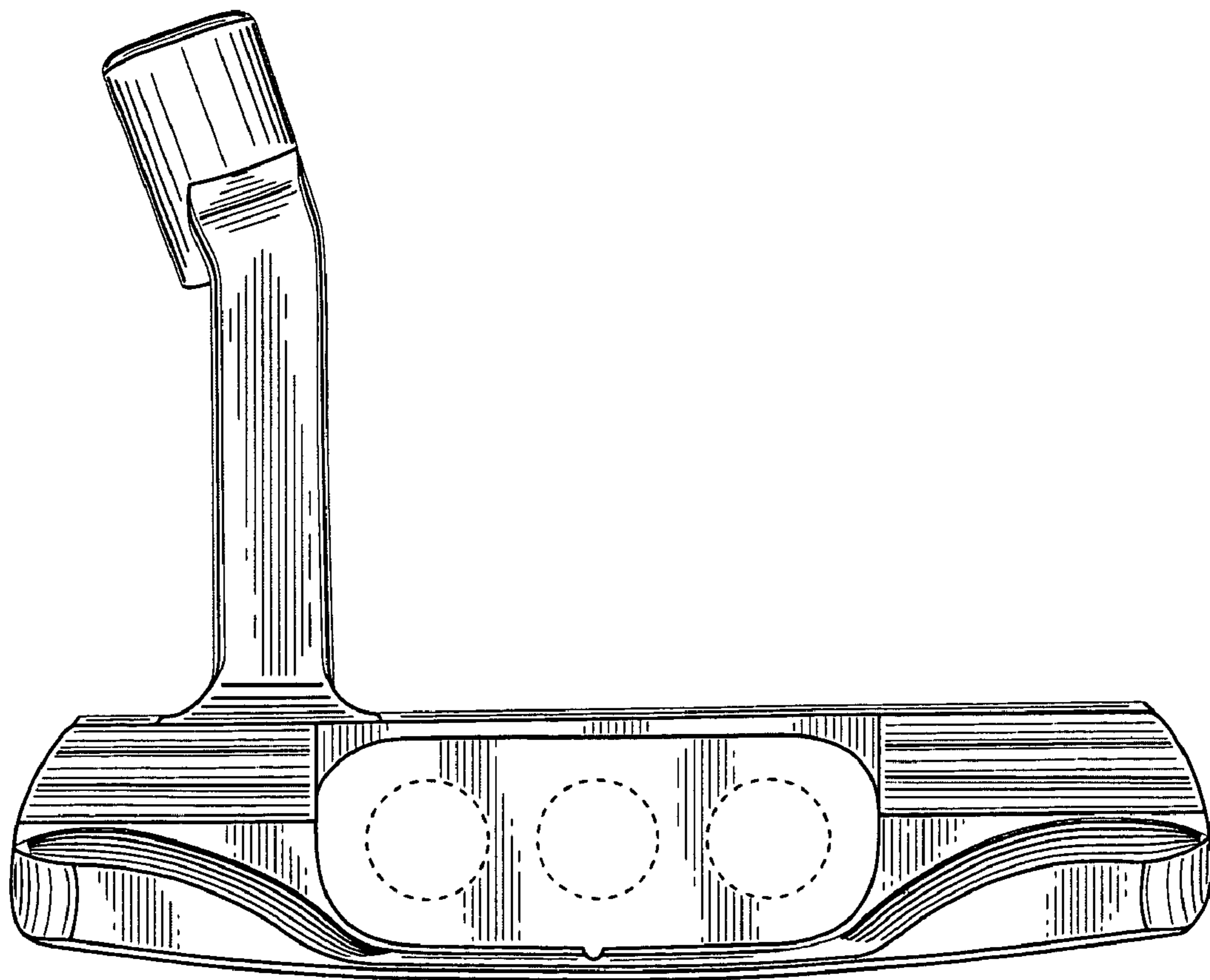


FIG. 5

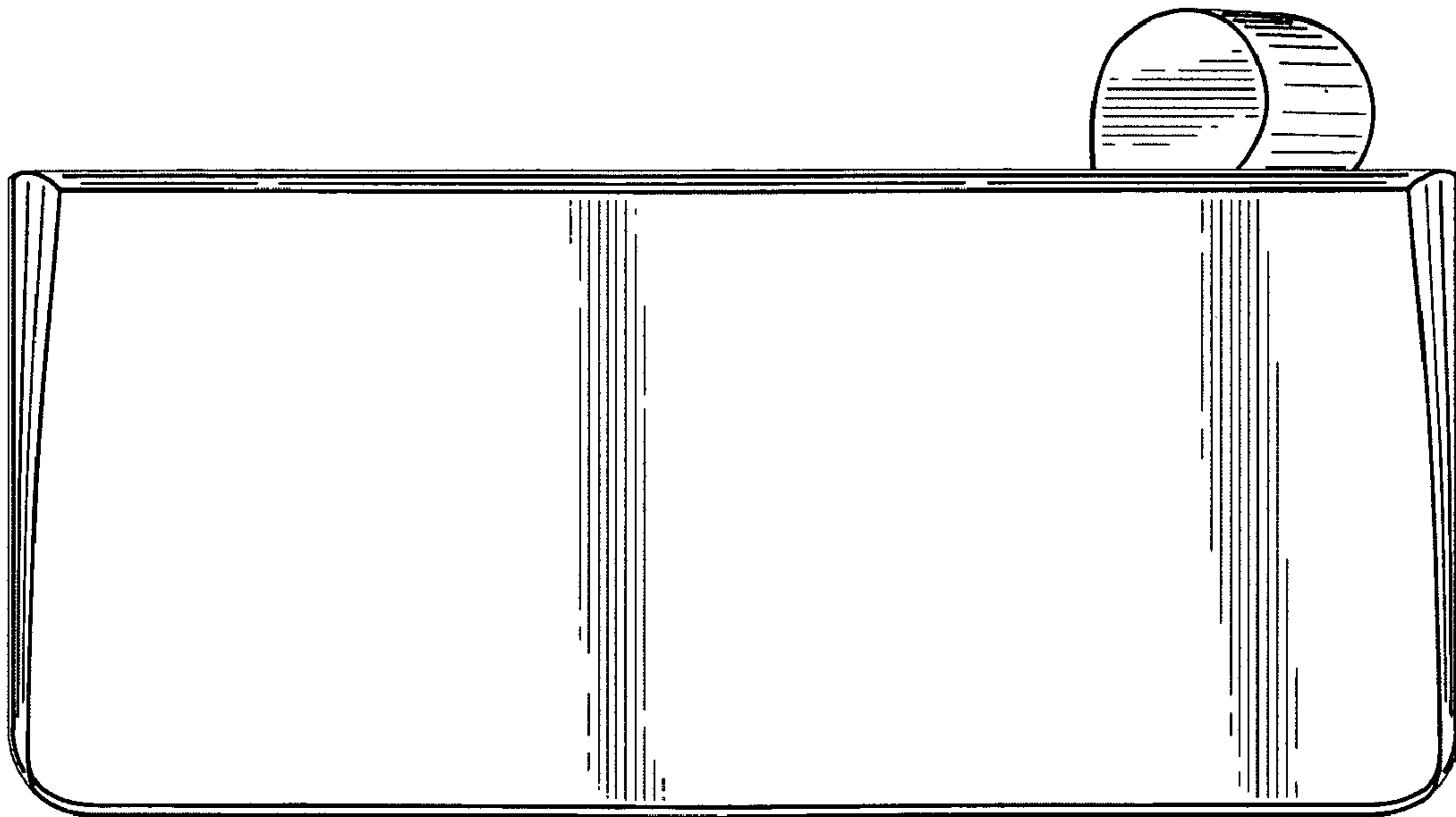


FIG. 6

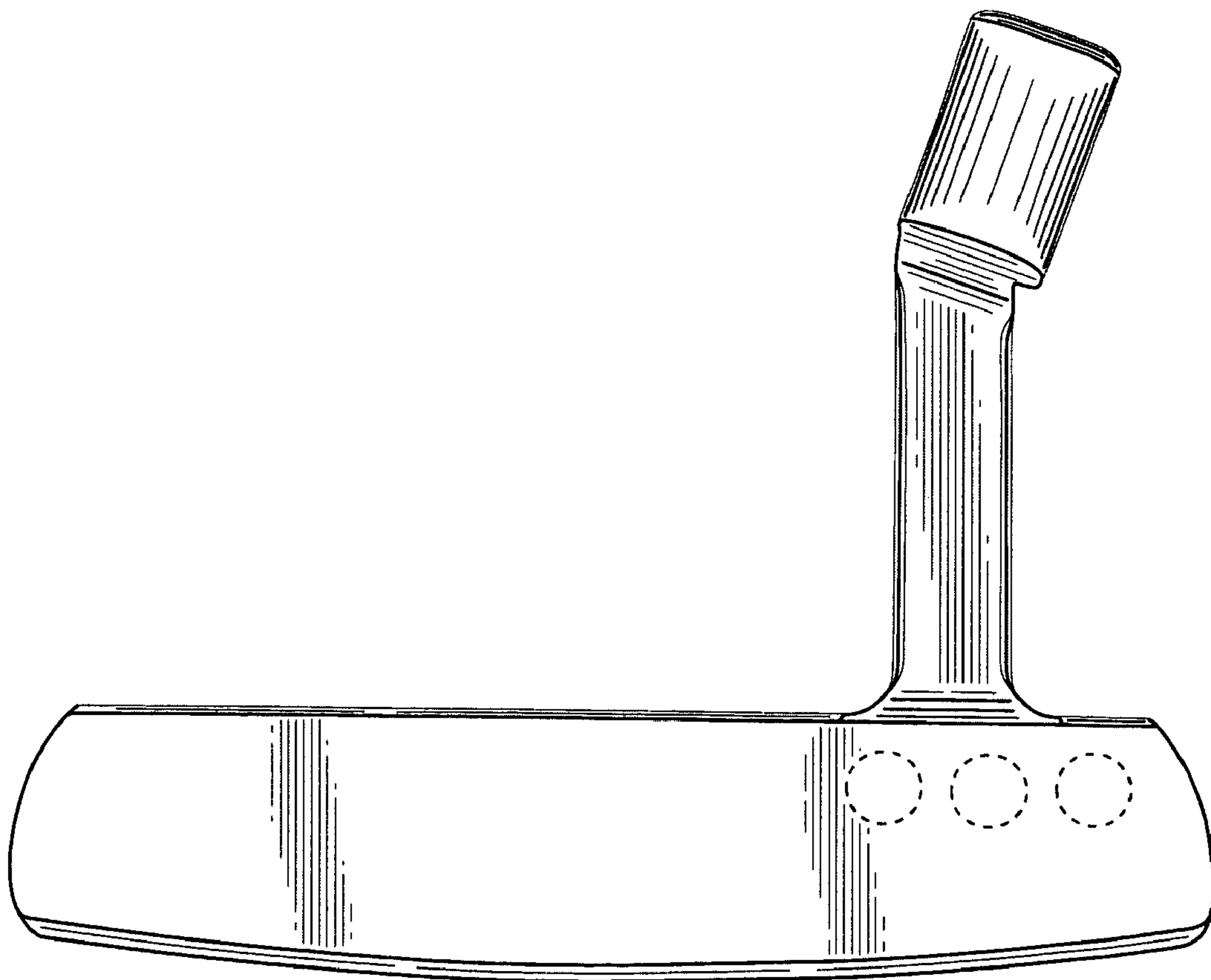


FIG. 7