



US00D583885S

(12) **United States Design Patent**
Horne

(10) **Patent No.:** **US D583,885 S**

(45) **Date of Patent:** **** Dec. 30, 2008**

(54) **LUMINOUS GRIP DISC AND LUMINOUS GRIP BALL SET**

D383,180 S * 9/1997 Briggs D21/732
D443,661 S * 6/2001 MacKinney D21/722
D501,521 S * 2/2005 Reynolds D21/731

(75) Inventor: **Michael Horne**, Shenzhen (CN)

* cited by examiner

(73) Assignee: **Madd International Limited**, Kowloon (HK)

Primary Examiner—Mitchell I Siegel
(74) *Attorney, Agent, or Firm*—Intellectual Property Law Group LLP; Otto O. Lee; Juneko Jackson

(**) Term: **14 Years**

(21) Appl. No.: **29/279,767**

(57) **CLAIM**

(22) Filed: **May 7, 2007**

The ornamental design for a luminous grip disc and luminous grip ball set, as shown and described.

(51) **LOC (8) Cl.** **21-02**

(52) **U.S. Cl.** **D21/731**

(58) **Field of Classification Search** D21/722-731;
473/514, 573; D26/24, 51, 57, 73
See application file for complete search history.

DESCRIPTION

FIG. 1 is a perspective view of a luminous grip disc and luminous grip ball set embodying my new design;

FIG. 2 is a front elevational view thereof;

FIG. 3 is a right side elevational view thereof, wherein the discs are placed in front of another to show each respective side;

FIG. 4 is an opposite side view of FIG. 3, showing a left side elevational view;

FIG. 5 is a top plan view thereof; and,

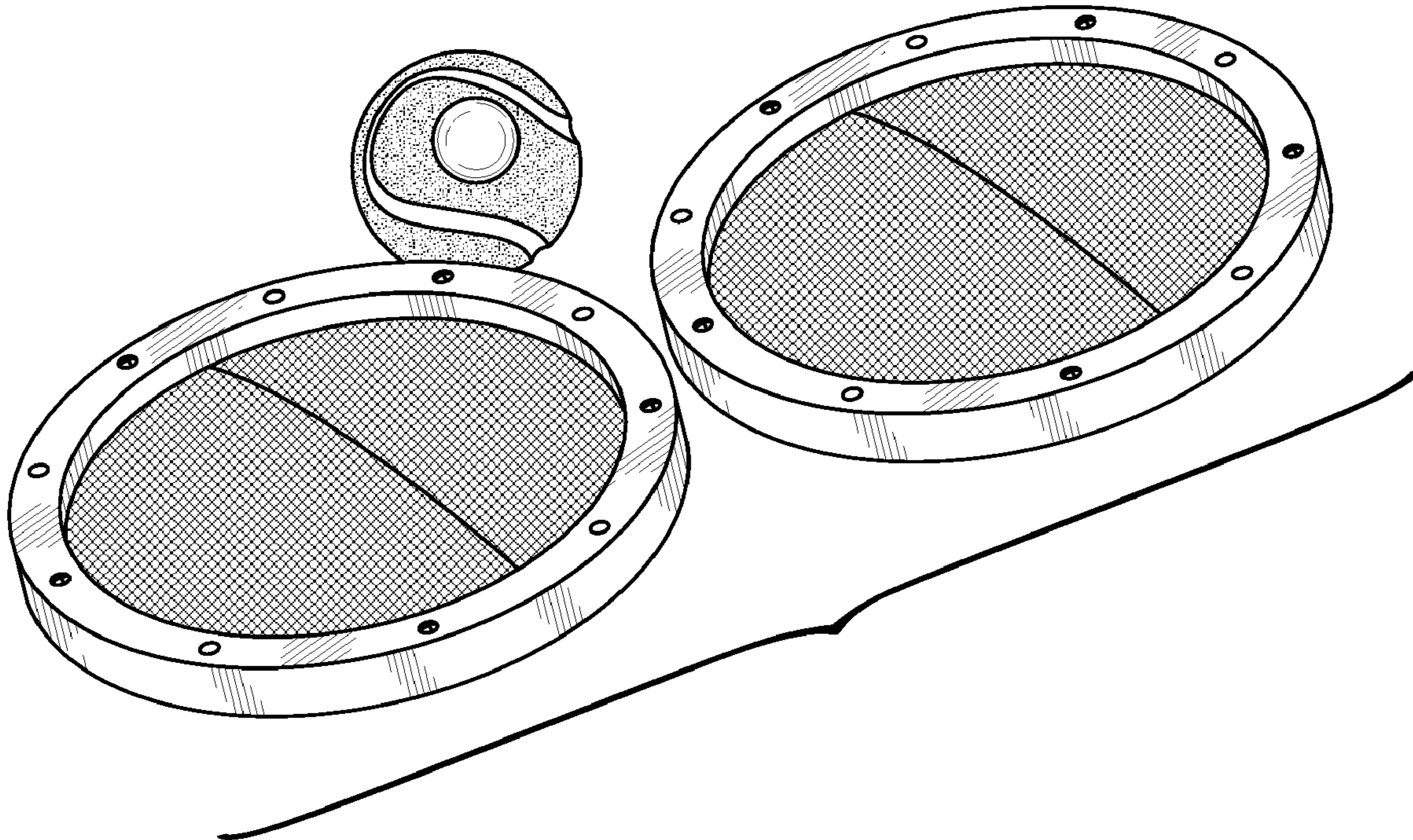
FIG. 6 is a bottom plan view thereof.

(56) **References Cited**

U.S. PATENT DOCUMENTS

4,735,420	A *	4/1988	Seidler	473/573
5,080,374	A *	1/1992	Yu	473/514
5,160,147	A *	11/1992	Ping	473/514
D340,271	S *	10/1993	Chou	D21/731
5,253,874	A *	10/1993	Hoffman	473/514
5,261,673	A *	11/1993	Miller	473/514
D348,711	S *	7/1994	Czworkowski et al.	D21/732
D360,920	S *	8/1995	Lessard	D21/731

1 Claim, 3 Drawing Sheets



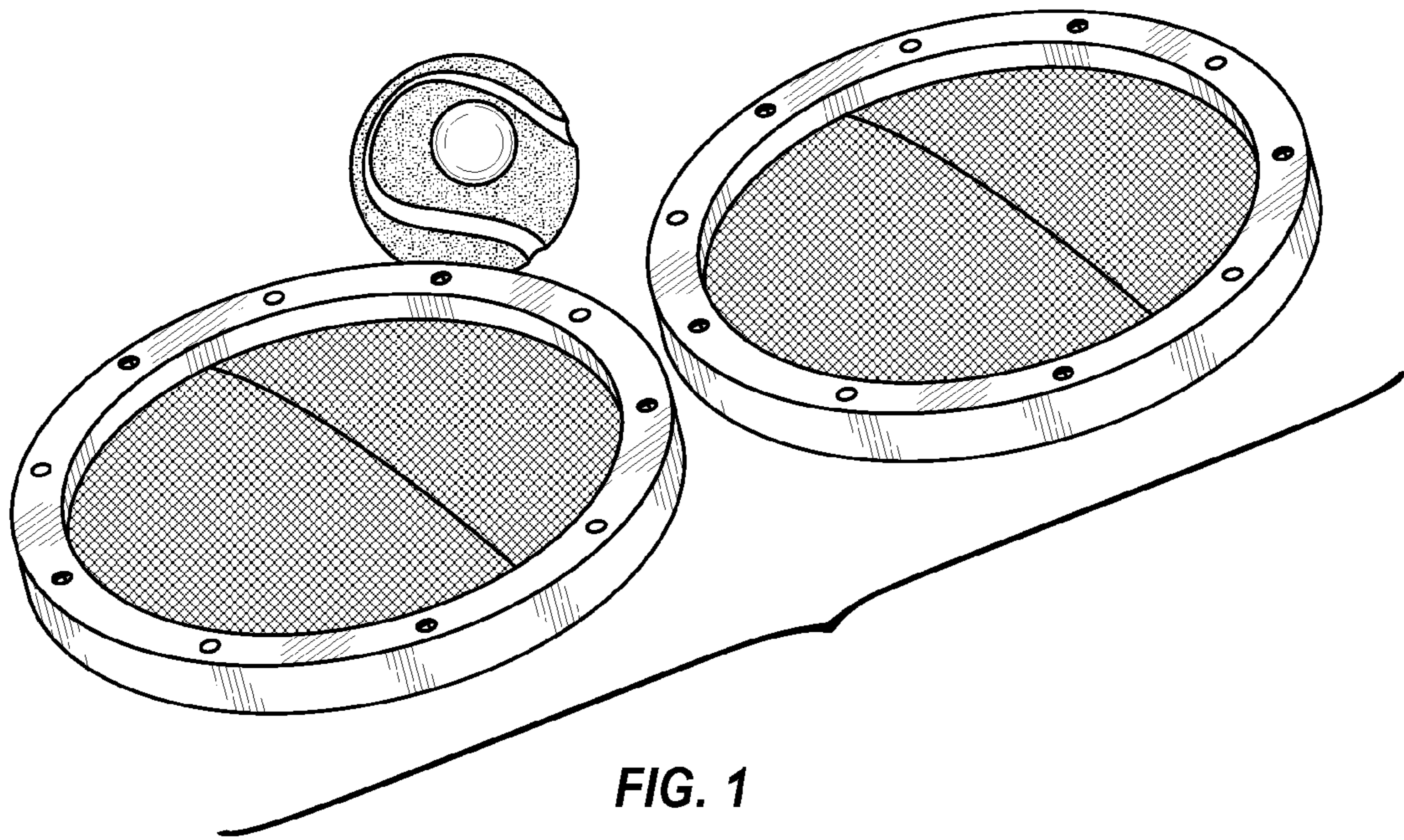


FIG. 1

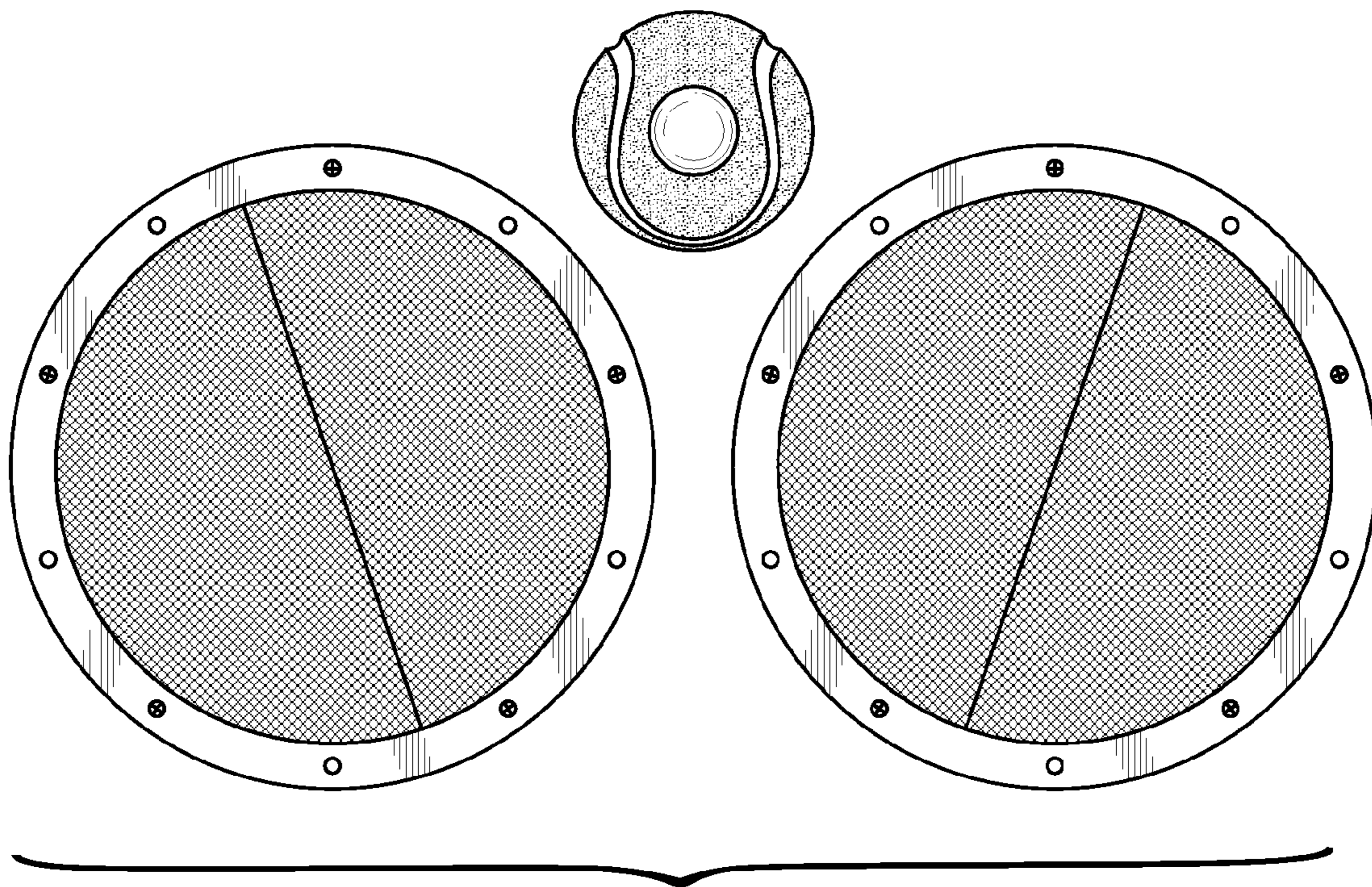
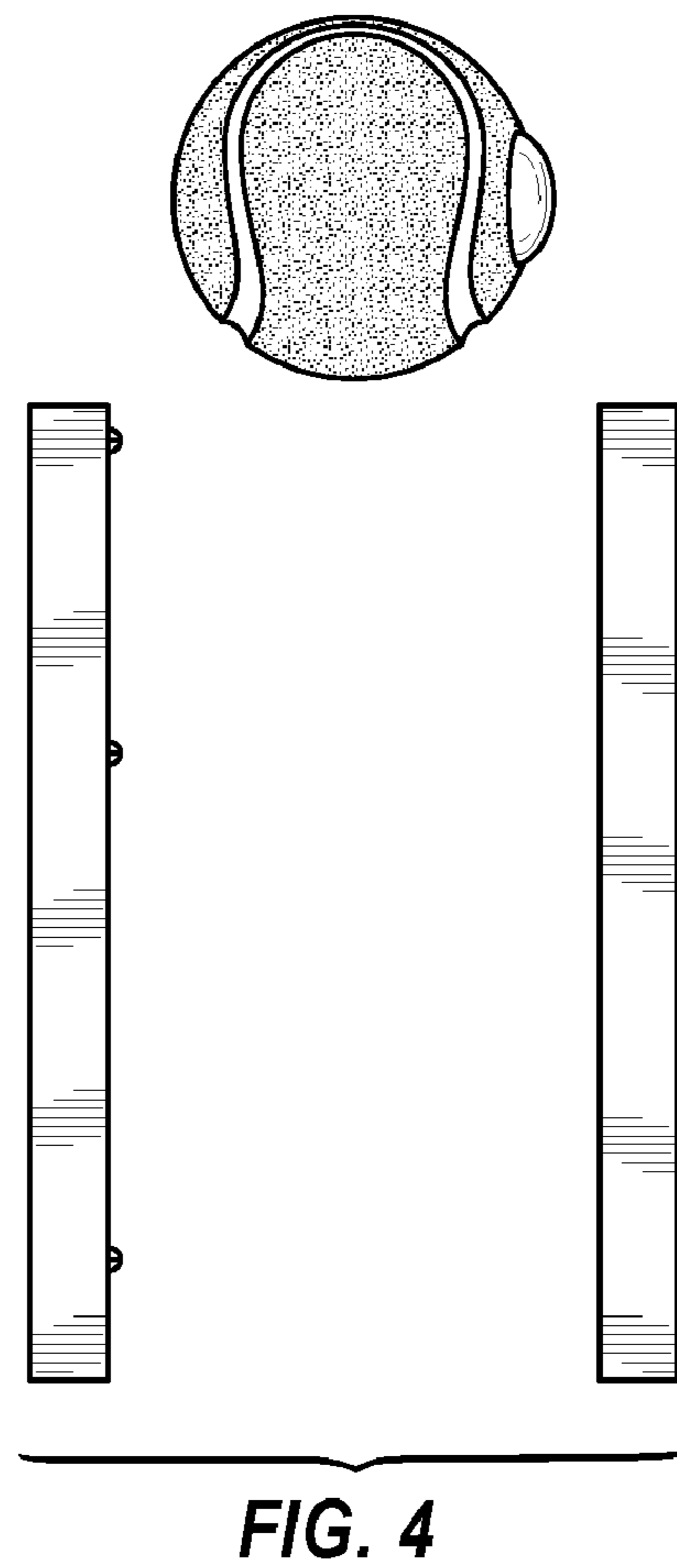
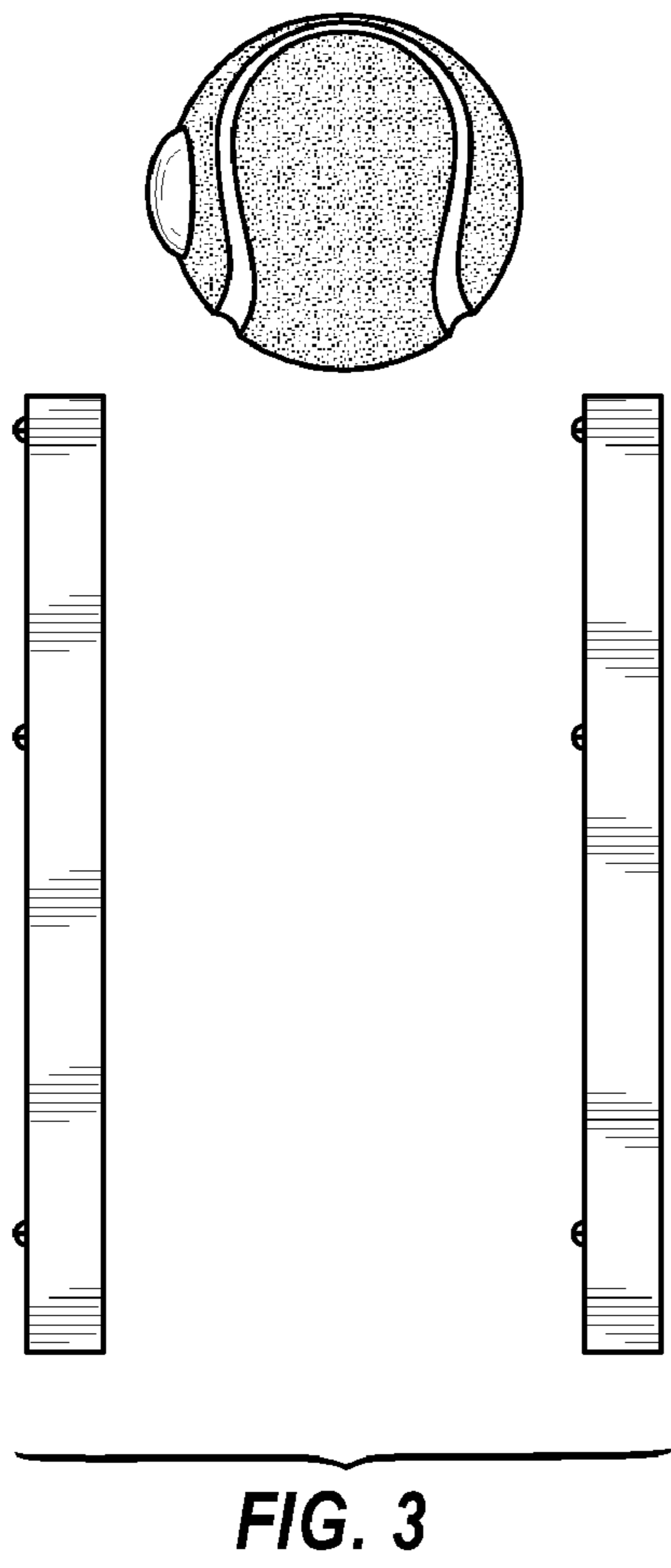


FIG. 2



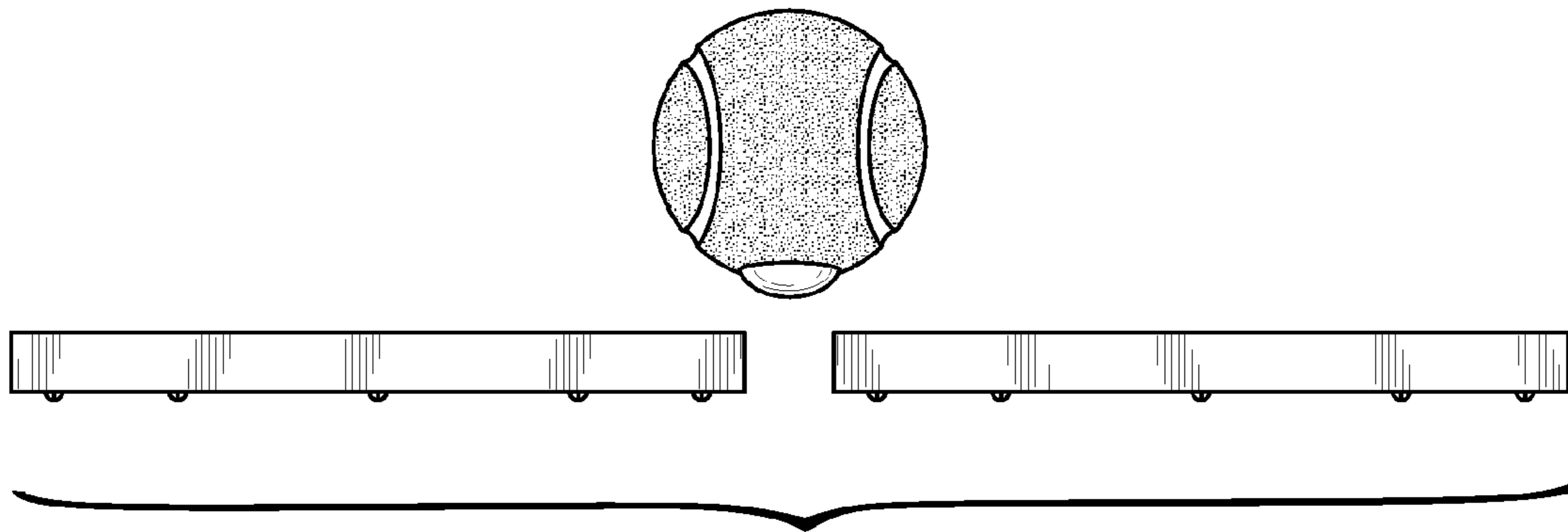


FIG. 5

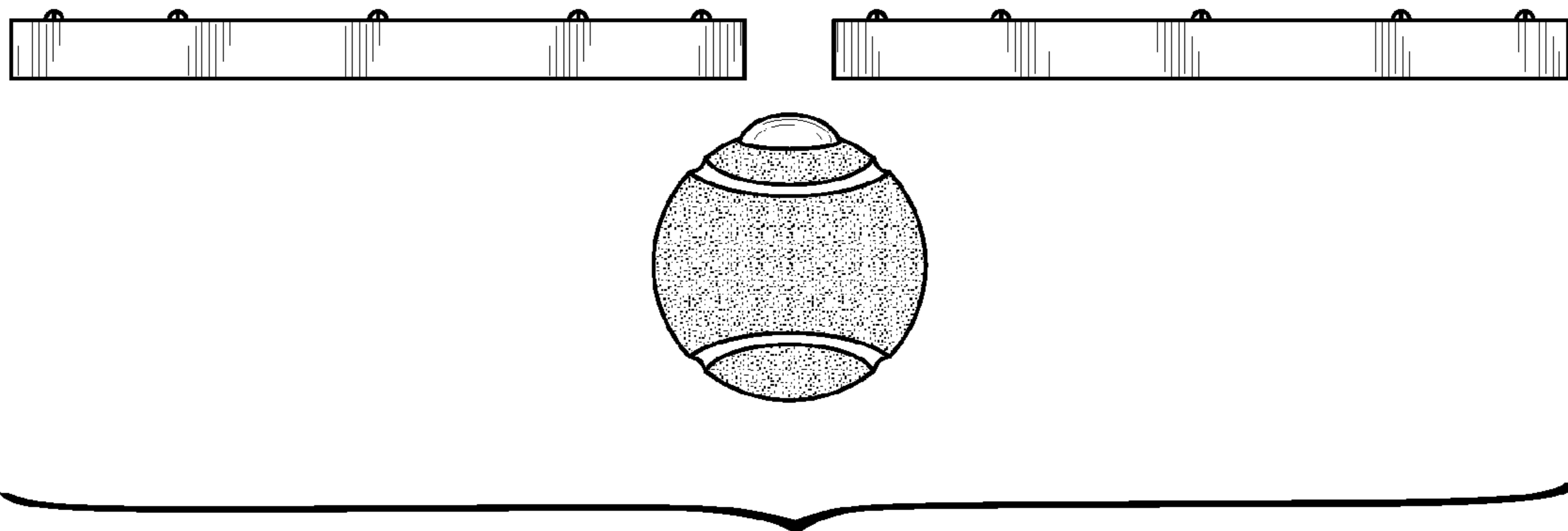


FIG. 6