



US00D583884S

(12) **United States Design Patent**
Zickert

(10) **Patent No.:** **US D583,884 S**

(45) **Date of Patent:** **** Dec. 30, 2008**

(54) **HAND EXERCISER**

(76) Inventor: **Lloyd L. Zickert**, 8 Charleston Rd.,
Hinsdale, IL (US) 60521

(**) Term: **14 Years**

(21) Appl. No.: **29/294,684**

(22) Filed: **Jan. 22, 2008**

(51) **LOC (8) Cl.** **21-02**

(52) **U.S. Cl.** **D21/684**

(58) **Field of Classification Search** D21/662,
D21/684, 692, 694; 482/44, 46, 47, 48, 121
See application file for complete search history.

(56) **References Cited**

U.S. PATENT DOCUMENTS

3,129,939	A *	4/1964	Stock	482/49
3,265,389	A	8/1966	Carlson		
D228,004	S	7/1973	Riccio		
D291,341	S	8/1987	Keating et al.		
D304,748	S *	11/1989	Bowers	D21/684
5,076,569	A *	12/1991	Gootter	482/49
D359,779	S	6/1995	Peters et al.		
D379,104	S	5/1997	Beard et al.		
D387,826	S *	12/1997	Smallwood et al.	D21/684
5,830,109	A	11/1998	Juarez		
D408,059	S	4/1999	Marnix		
D487,123	S *	2/2004	Ihli	D21/684

* cited by examiner

Primary Examiner—Philip S Hyder
(74) *Attorney, Agent, or Firm*—Lloyd L. Zickert

(57) **CLAIM**

The ornamental design for a hand exerciser, as shown and described.

DESCRIPTION

FIG. 1 is a perspective view of a hand exerciser showing my new design;

FIG. 2 is side elevational view thereof, the opposite side of which is a mirror image thereof;

FIG. 3 is a top plan view thereof;

FIG. 4 is a bottom plan view thereof;

FIG. 5 is an end elevational view thereof looking at one end;

FIG. 6 is an end elevational view looking at the opposite end from that shown in FIG. 5;

FIG. 7 is a perspective view of a further embodiment of the hand exerciser of my design;

FIG. 8 is a side elevational view of the embodiment in FIG. 7, the opposite side thereof being a mirror image thereof;

FIG. 9 is a top plan view of the hand exerciser of FIG. 7;

FIG. 10 is a bottom plan view of the hand exerciser of FIG. 7; and,

FIG. 11 is an end elevational view of the hand exerciser of FIG. 7, the opposite end elevational view being a mirror image thereof.

1 Claim, 2 Drawing Sheets

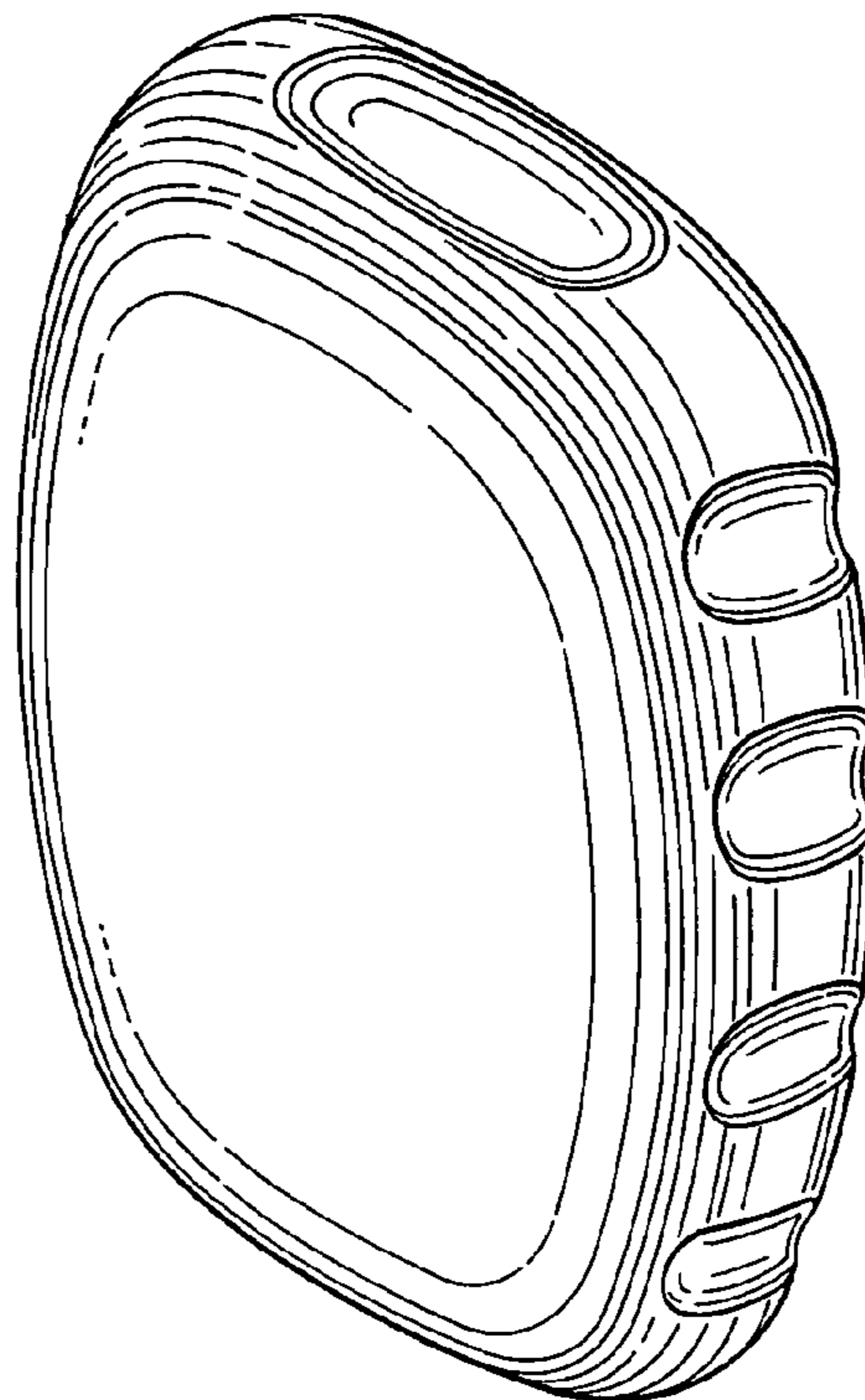


FIG. 1

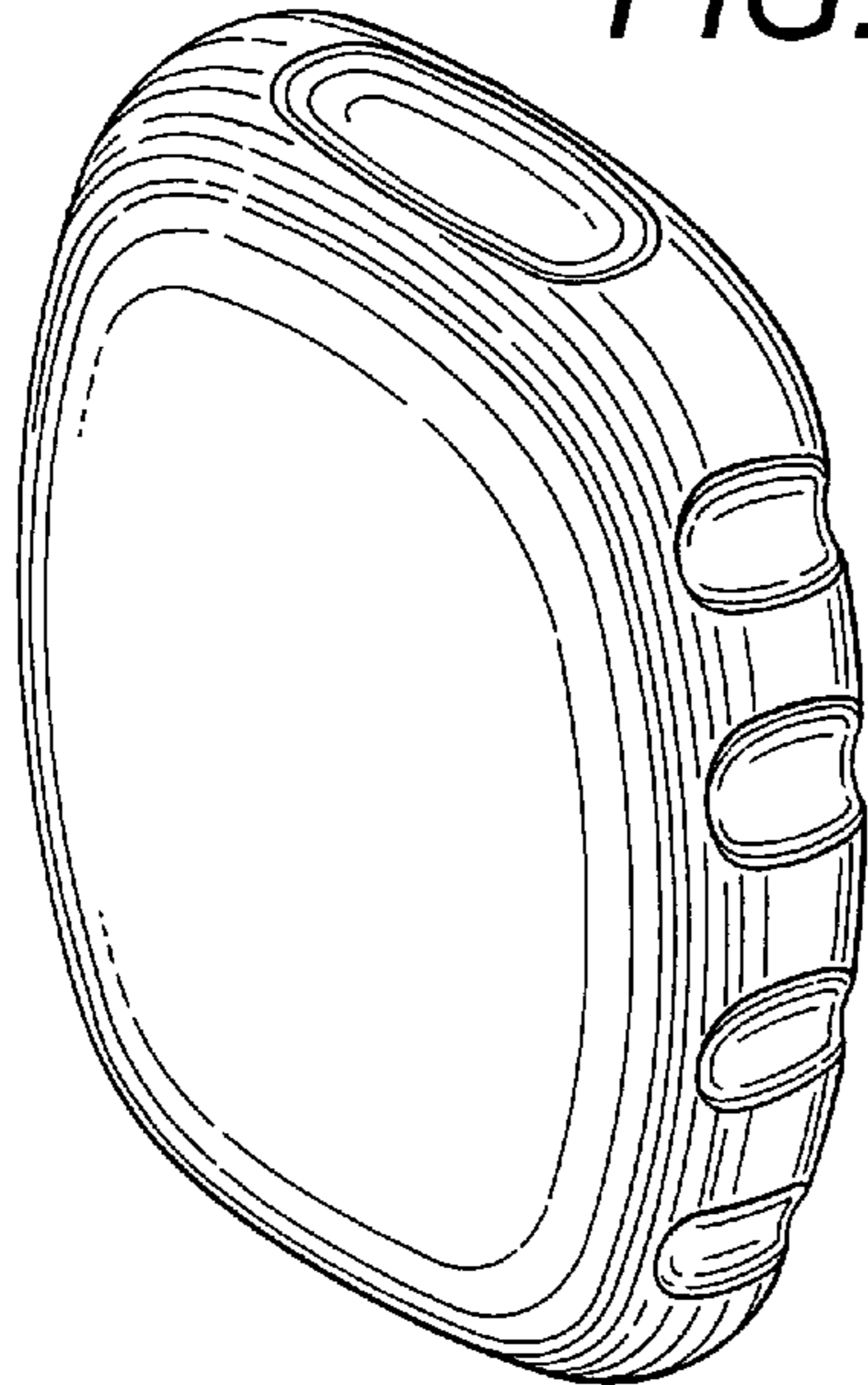


FIG. 2

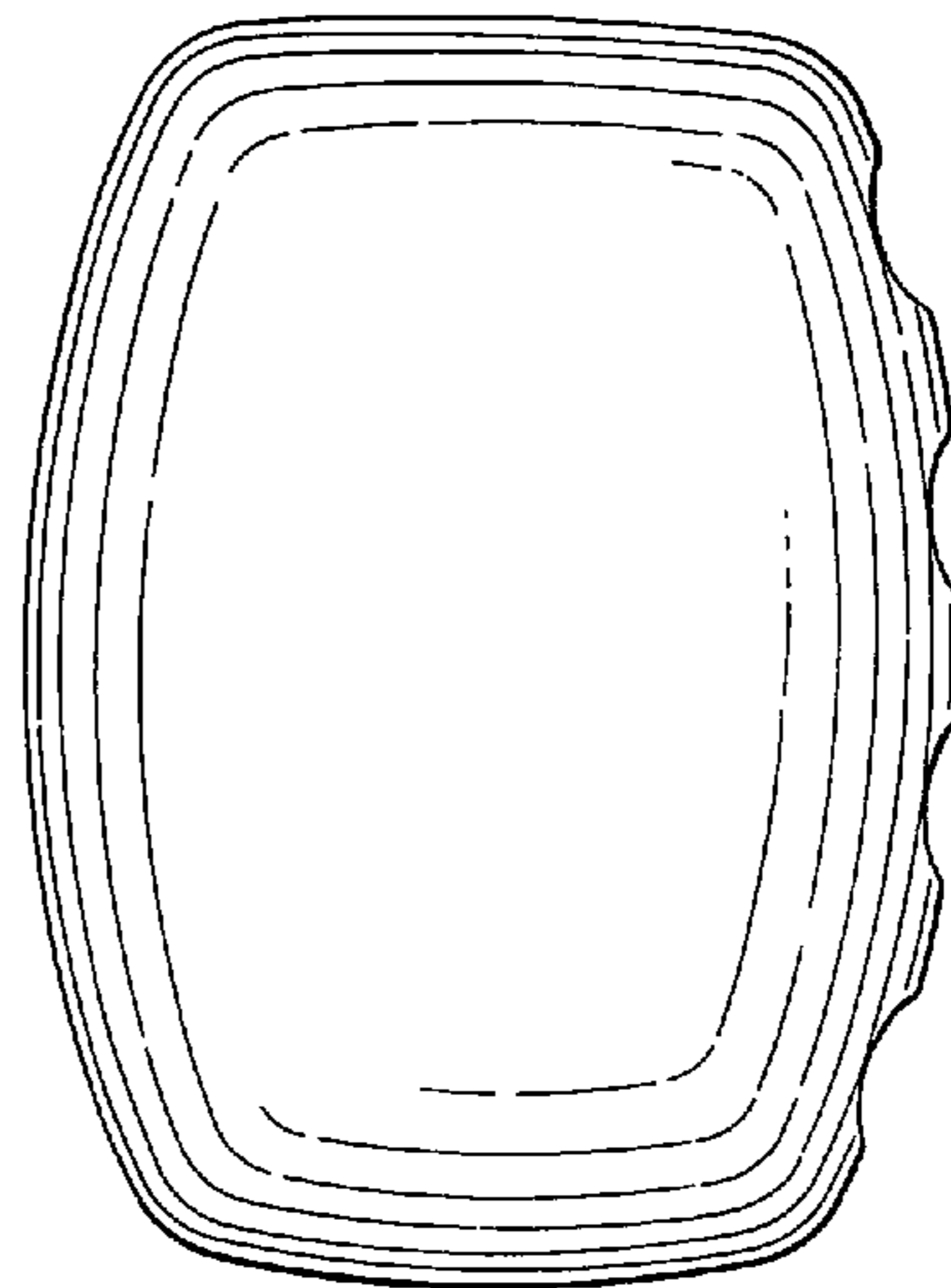


FIG. 3

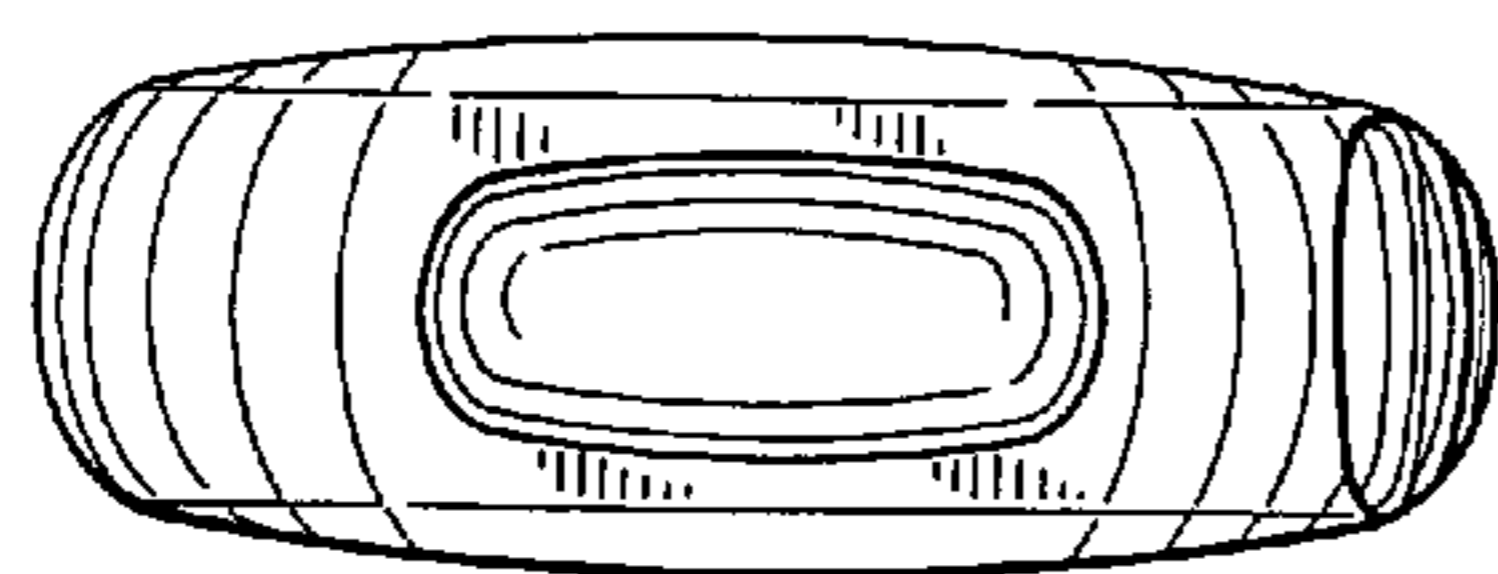


FIG. 5

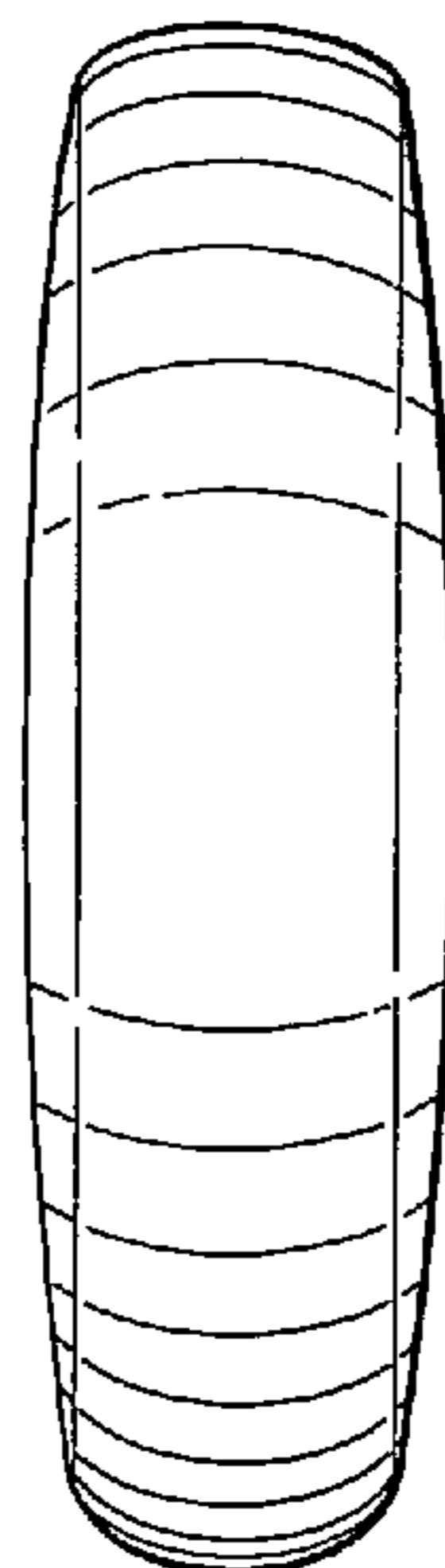


FIG. 6

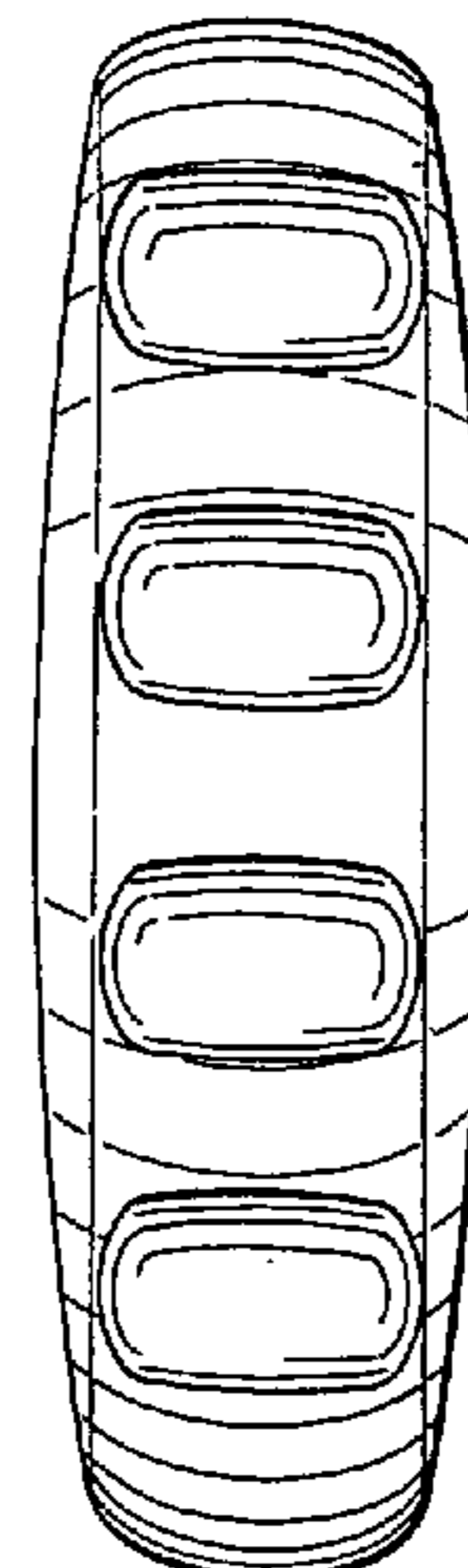


FIG. 4

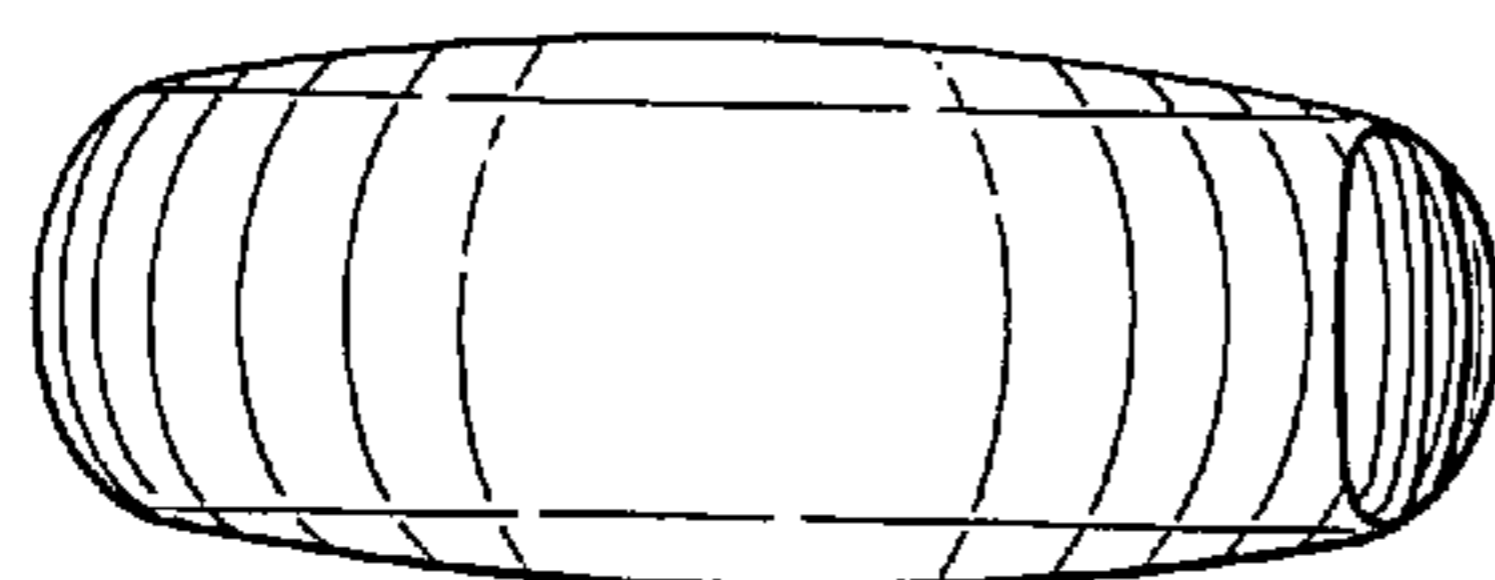


FIG. 7

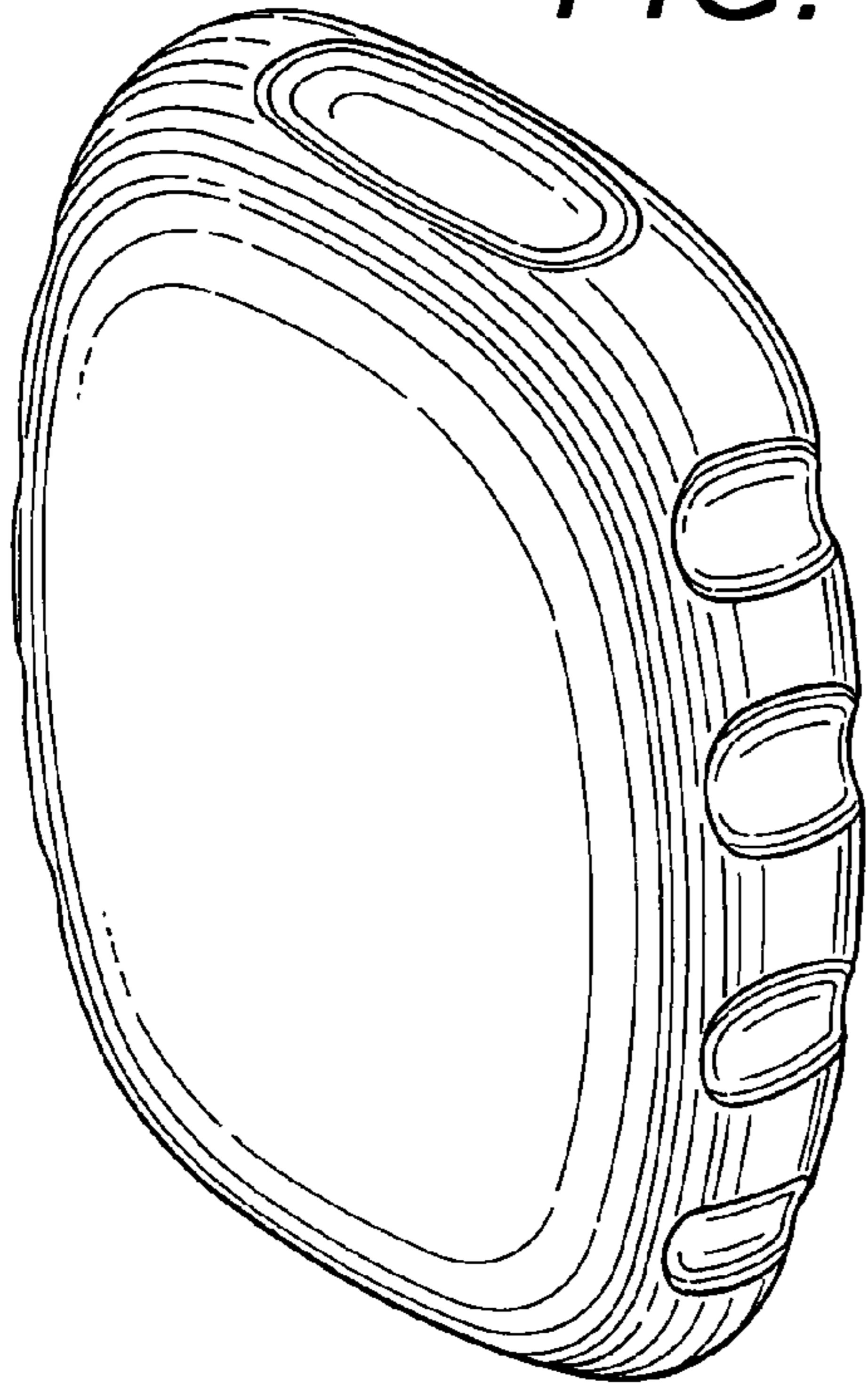


FIG. 8

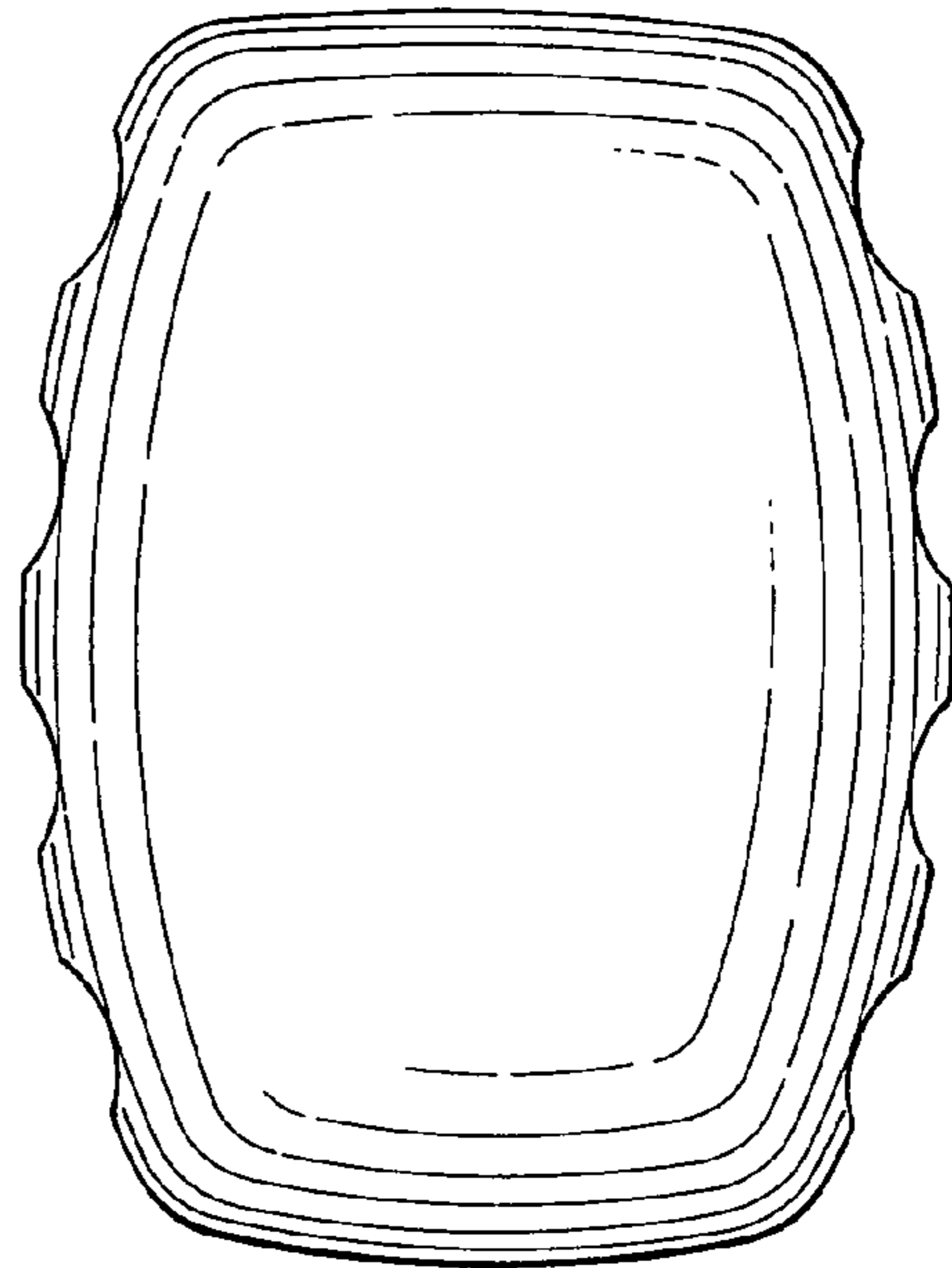


FIG. 9

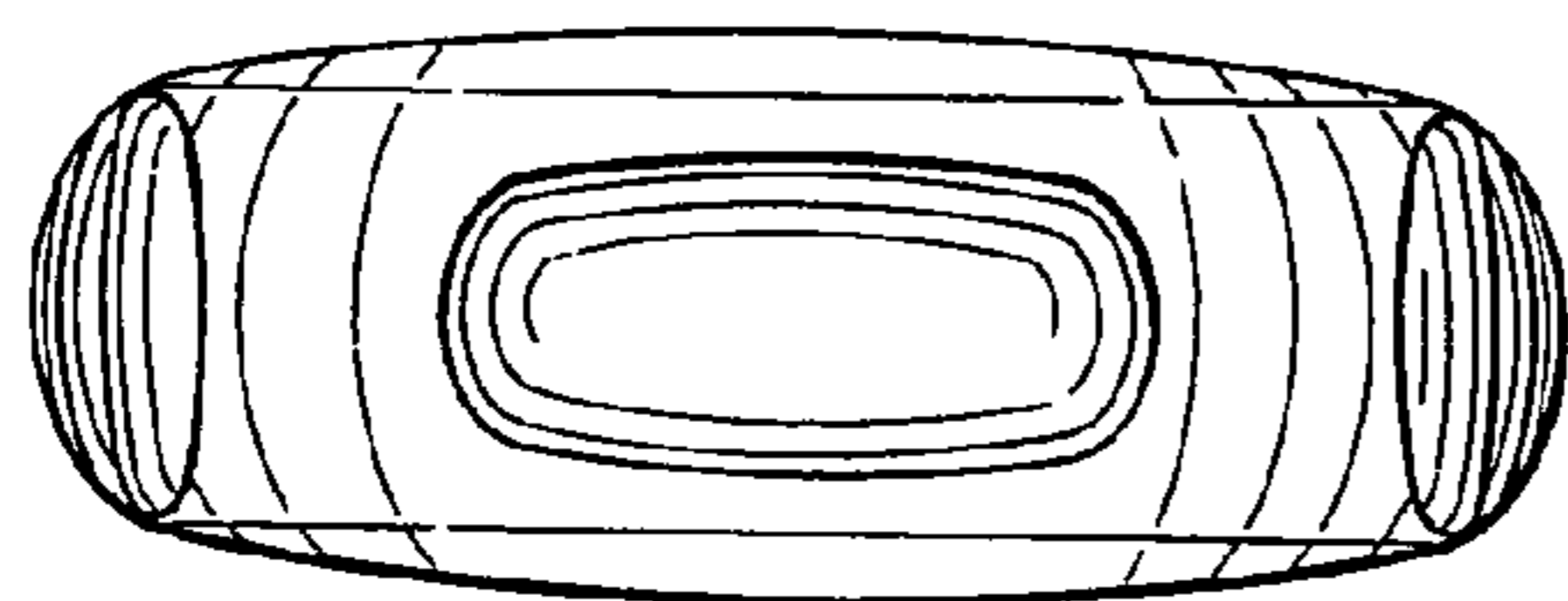


FIG. 11

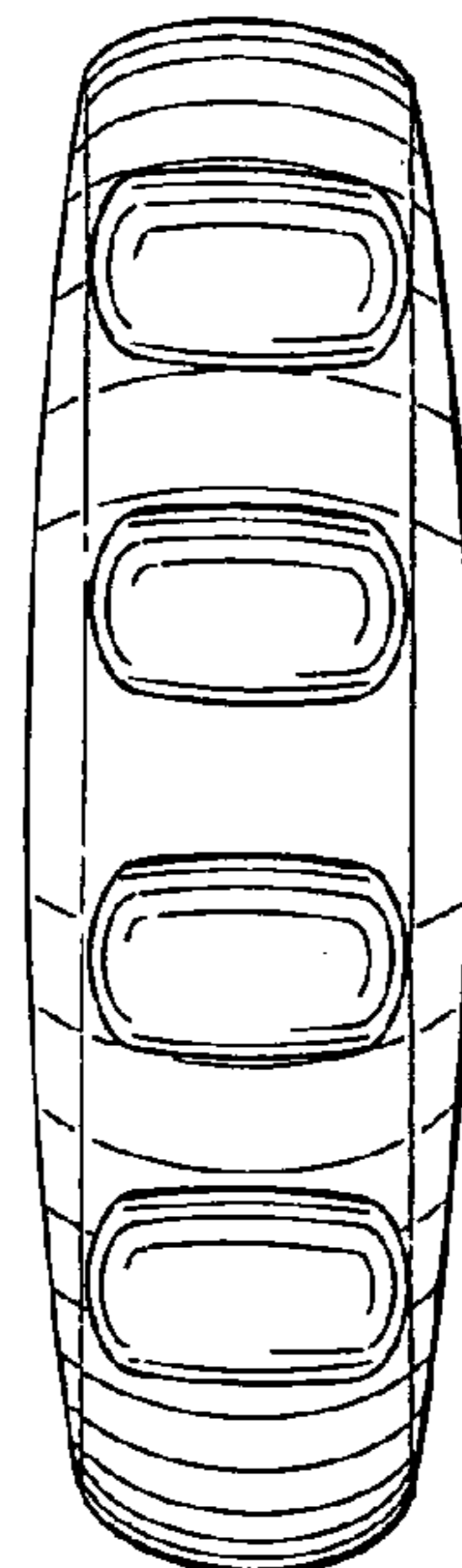


FIG. 10

