



US00D583883S

(12) **United States Design Patent**
Thomas

(10) **Patent No.:** **US D583,883 S**
(45) **Date of Patent:** **** Dec. 30, 2008**

(54) **BARBELL**

(76) Inventor: **Jon D. Thomas**, 3225 Alexander,
Shreveport, LA (US) 71104

(**) Term: **14 Years**

(21) Appl. No.: **29/271,215**

(22) Filed: **Jan. 12, 2007**

(51) **LOC (8) Cl.** **21-02**

(52) **U.S. Cl.** **D21/679; D21/681**

(58) **Field of Classification Search** D21/662,
D21/679-682, 694; 482/50, 91-93, 106-108
See application file for complete search history.

(56) **References Cited**

U.S. PATENT DOCUMENTS

2,470,816	A *	5/1949	Harvey	482/109
D234,309	S *	2/1975	Buckner	D21/679
D290,485	S *	6/1987	Suponitsky	D21/681
5,184,992	A *	2/1993	Banks	482/104
5,295,934	A *	3/1994	Collins et al.	482/107
5,628,713	A *	5/1997	Wilkinson	482/74
D385,604	S *	10/1997	Moore	D21/679
D388,848	S *	1/1998	Sontz et al.	D21/679
D407,770	S *	4/1999	Thomas	D21/679
6,926,648	B2 *	8/2005	Capizzo	482/104
D512,471	S *	12/2005	Panatta	D21/673
2007/0042876	A1 *	2/2007	Lundquist	482/94
2007/0197352	A1 *	8/2007	Charniga et al.	482/93
2007/0275834	A1 *	11/2007	Reilly	482/91

* cited by examiner

Primary Examiner—Philip S Hyder

Assistant Examiner—RoseLynne Cody

(74) *Attorney, Agent, or Firm*—R. Keith Harrison

(57) **CLAIM**

The ornamental design for a barbell, as shown and described.

DESCRIPTION

FIG. 1 is a bottom view of a first embodiment of the barbell;

FIG. 2 is a top view of the first embodiment of the barbell;

FIG. 3 is a bottom perspective view of the first embodiment of the barbell;

FIG. 4 is a left end view of the first embodiment of the barbell, the right end view of the first embodiment of the barbell being a mirror image of the left end view of the first embodiment of the barbell;

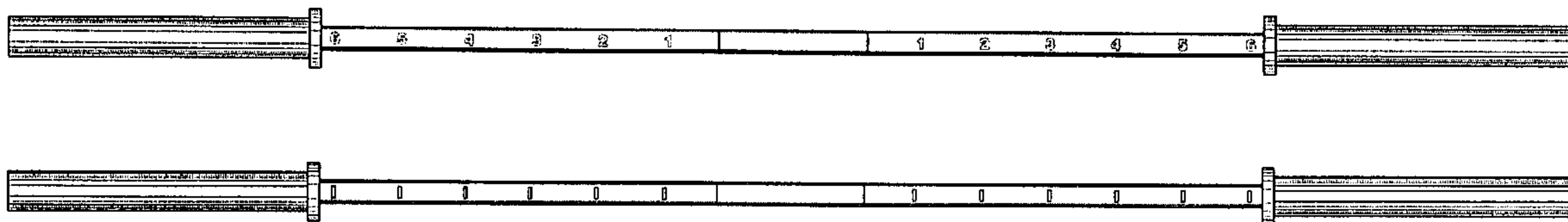
FIG. 5 is a bottom view of a second embodiment of the barbell;

FIG. 6 is a top view of second embodiment of the barbell;

FIG. 7 is a bottom perspective view of the first embodiment of the barbell; and,

FIG. 8 is a left end view of the second embodiment of the barbell, the right end view of the second embodiment of the barbell being a mirror image of the left end view of the second embodiment of the barbell.

1 Claim, 2 Drawing Sheets



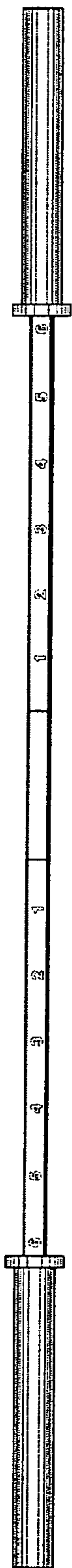


FIG. 1

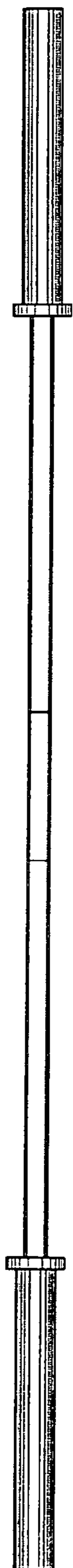


FIG. 2

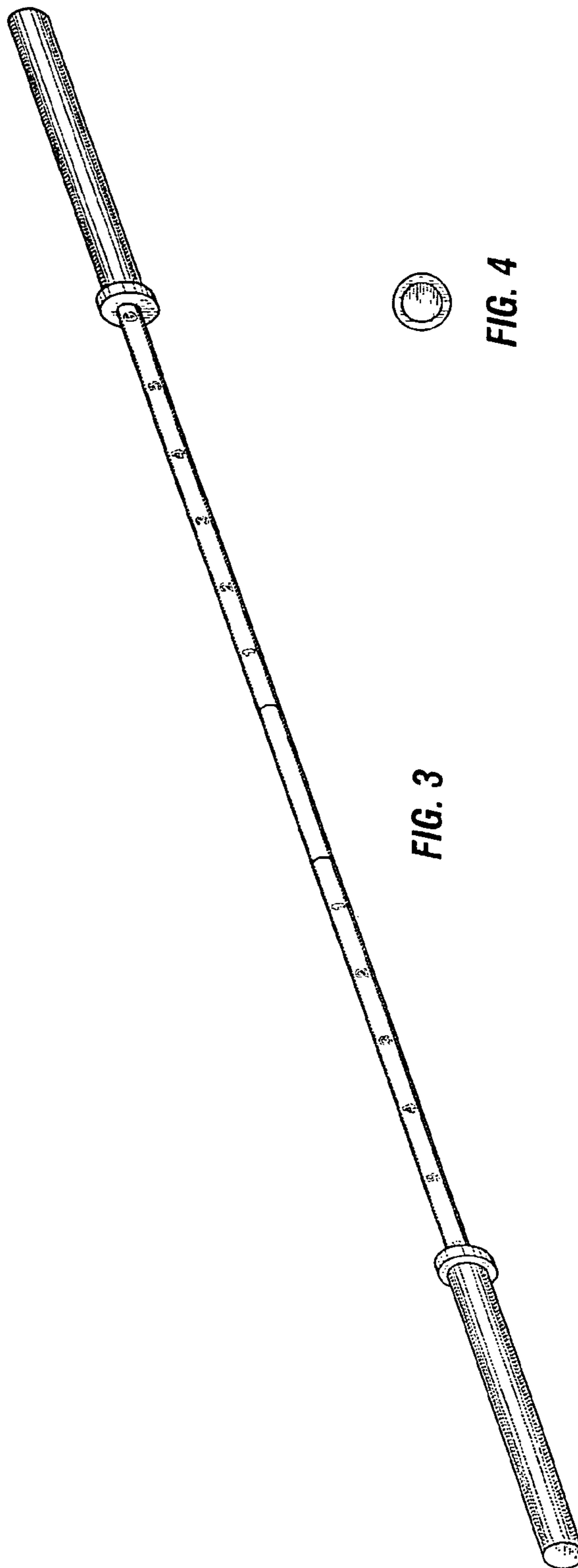


FIG. 3

FIG. 4

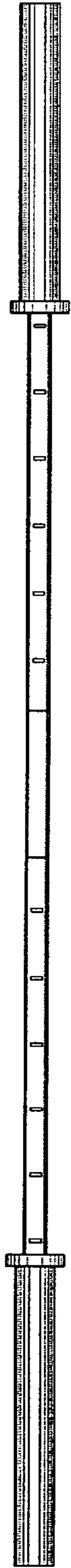


FIG. 5

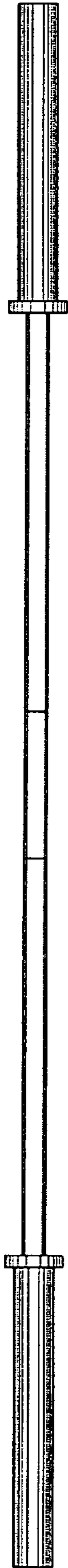


FIG. 6

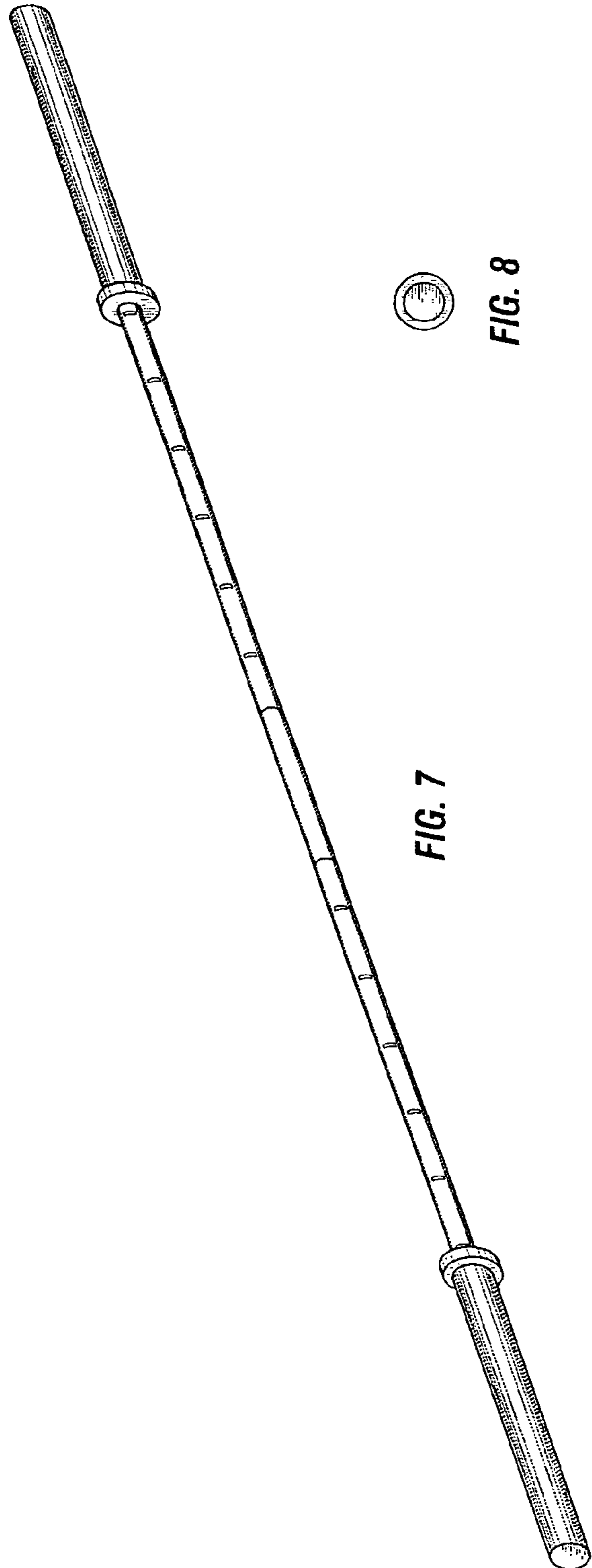


FIG. 7



FIG. 8