



US00D583882S

(12) **United States Design Patent**  
**Domingues**

(10) **Patent No.:** **US D583,882 S**

(45) **Date of Patent:** **\*\* Dec. 30, 2008**

(54) **WIND-UP MECHANICAL INCHWORM**

(74) *Attorney, Agent, or Firm*—Cascio Schmoyer & Ziervas

(76) **Inventor:** **Francisco B. Domingues**, R. Umari no 65 (Laranjeiras), Rio de Janeiro (BR) 22221-150

(57) **CLAIM**

The ornamental design for a wind-up mechanical inchworm, as shown and described.

(\*\*) **Term:** **14 Years**

**DESCRIPTION**

(21) **Appl. No.:** **29/294,451**

FIG. 1 is a front elevational view showing a first position of the wind-up mechanical inchworm,

(22) **Filed:** **Jan. 11, 2008**

FIG. 2 is a rear elevational view thereof,

(51) **LOC (8) Cl.** ..... **21-01**

FIG. 3 is a front perspective view thereof,

(52) **U.S. Cl.** ..... **D21/585; D21/650; D21/578**

FIG. 4 is a right side elevational view thereof,

(58) **Field of Classification Search** ..... D11/158;  
D21/576-585, 650; 446/72, 97-98, 268,  
446/297, 352, 356, 368-369

FIG. 5 is a left side elevational view thereof,

See application file for complete search history.

FIG. 6 is a top plan view thereof, with the wind-up mechanism in an alternative position;

(56) **References Cited**

FIG. 7 is a bottom plan view thereof, with the wind-up mechanism in an alternative position;

**U.S. PATENT DOCUMENTS**

FIG. 8 is a right side elevational view showing a second position of the wind-up mechanical inchworm; and,

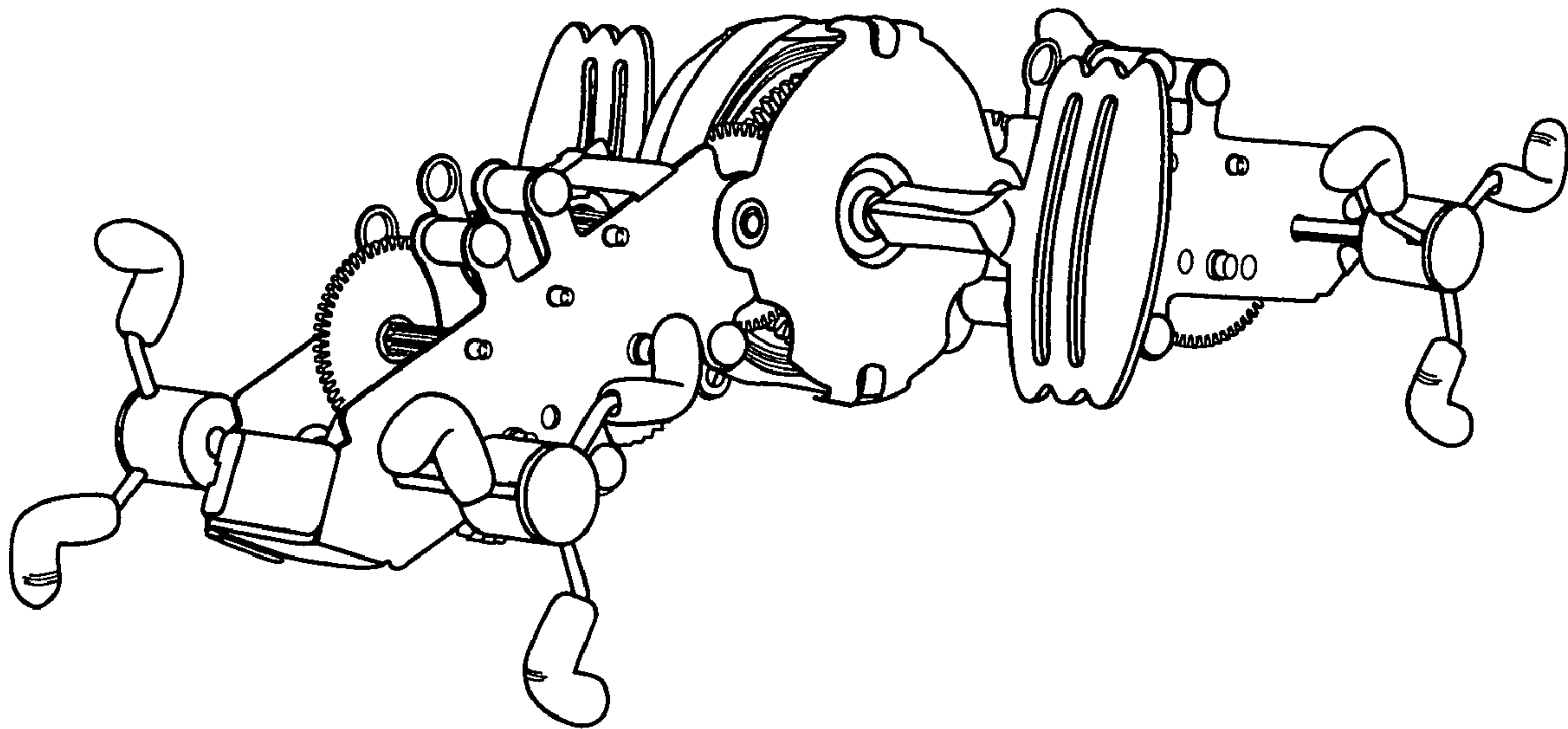
D458,320 S \* 6/2002 Domingues ..... D21/585

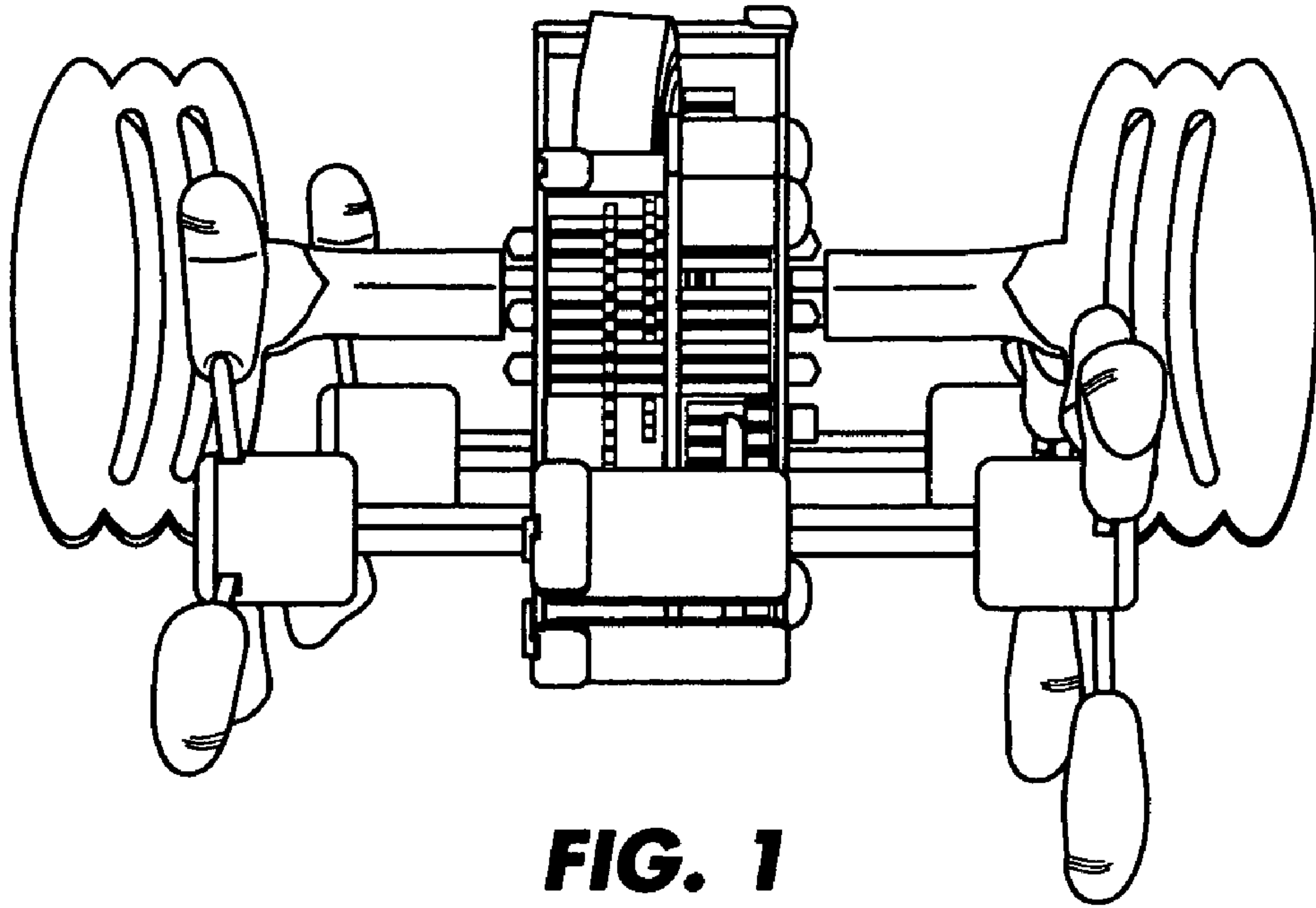
FIG. 9 is a front perspective view of the second position.

\* cited by examiner

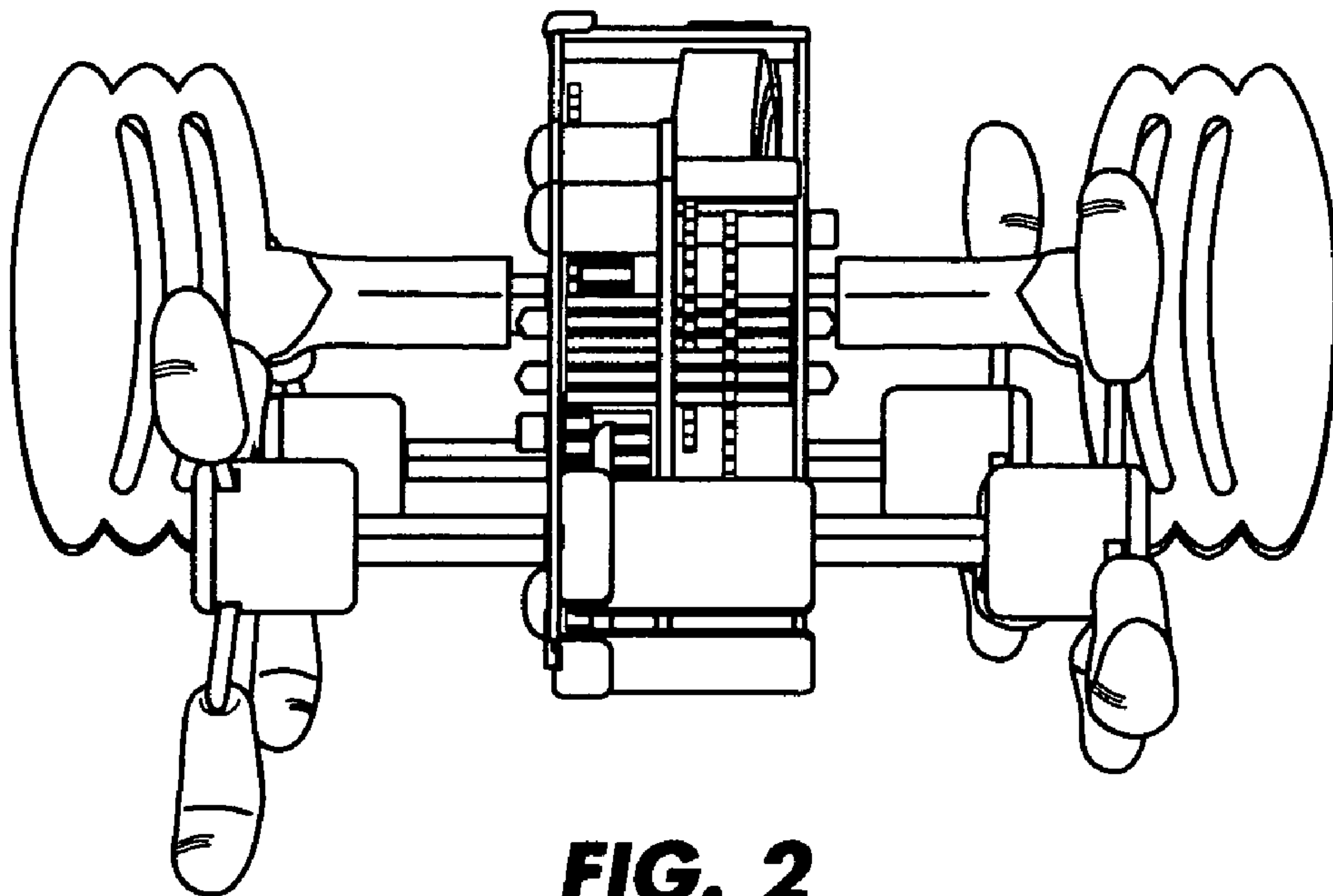
*Primary Examiner*—Sandra Morris

**1 Claim, 4 Drawing Sheets**

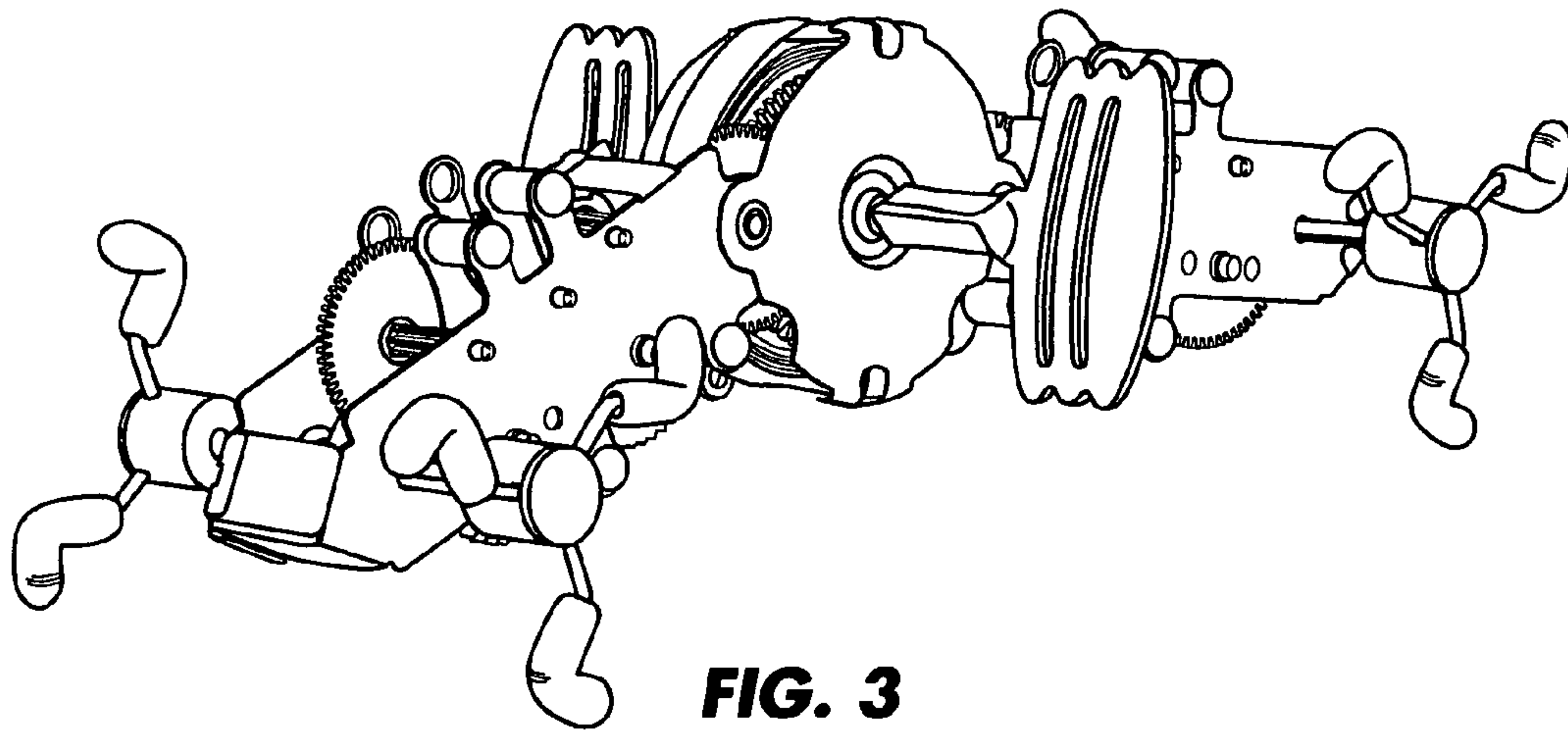




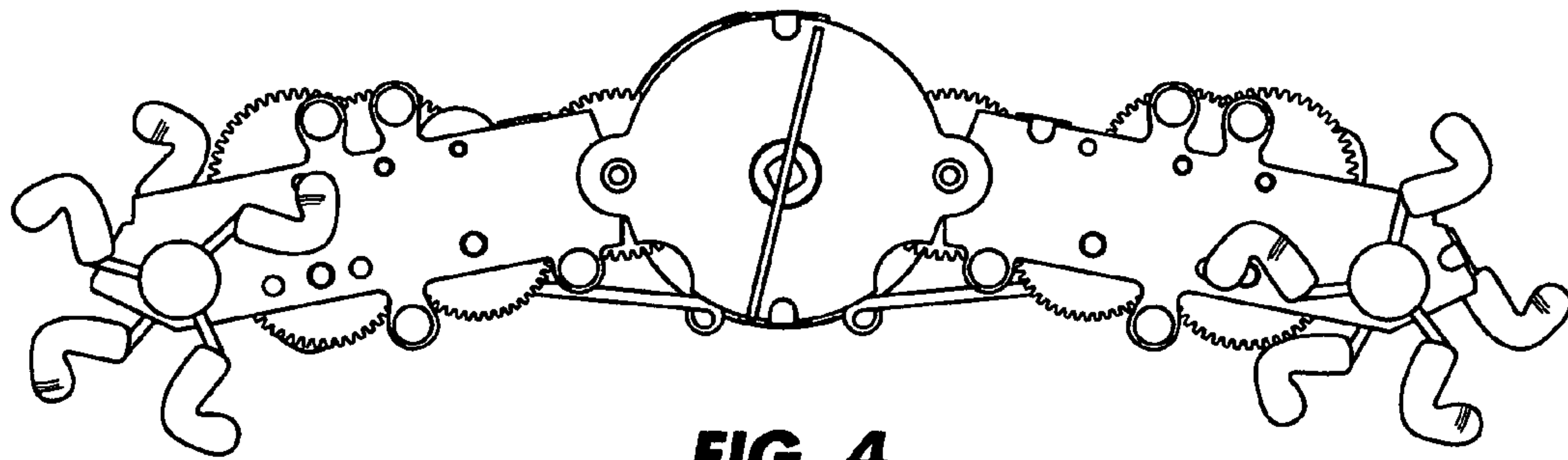
**FIG. 1**



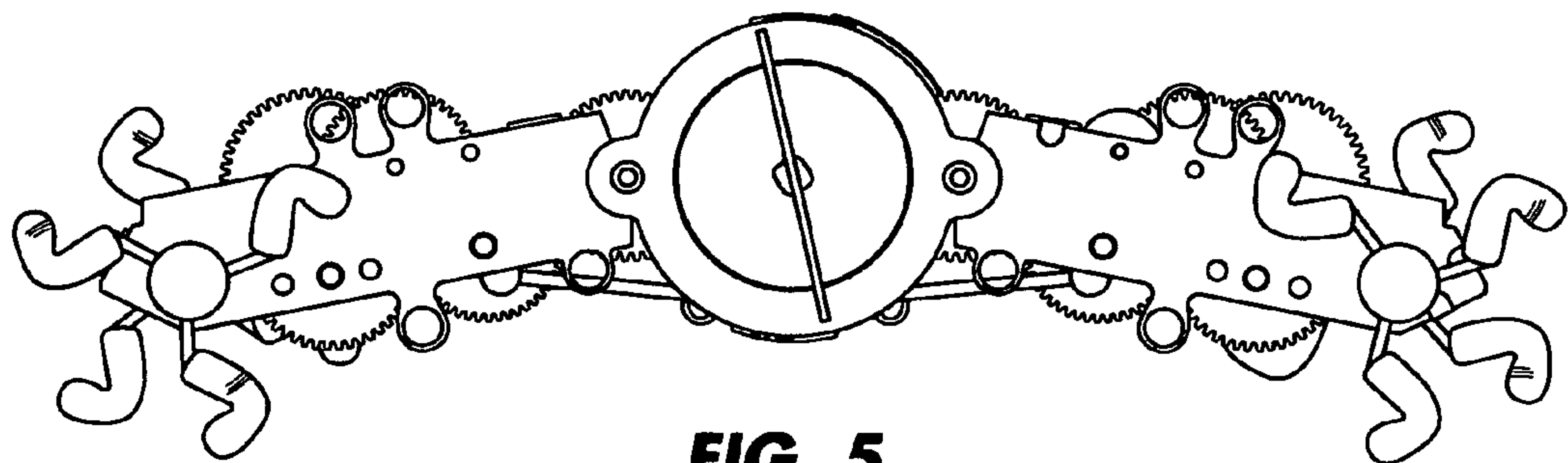
**FIG. 2**



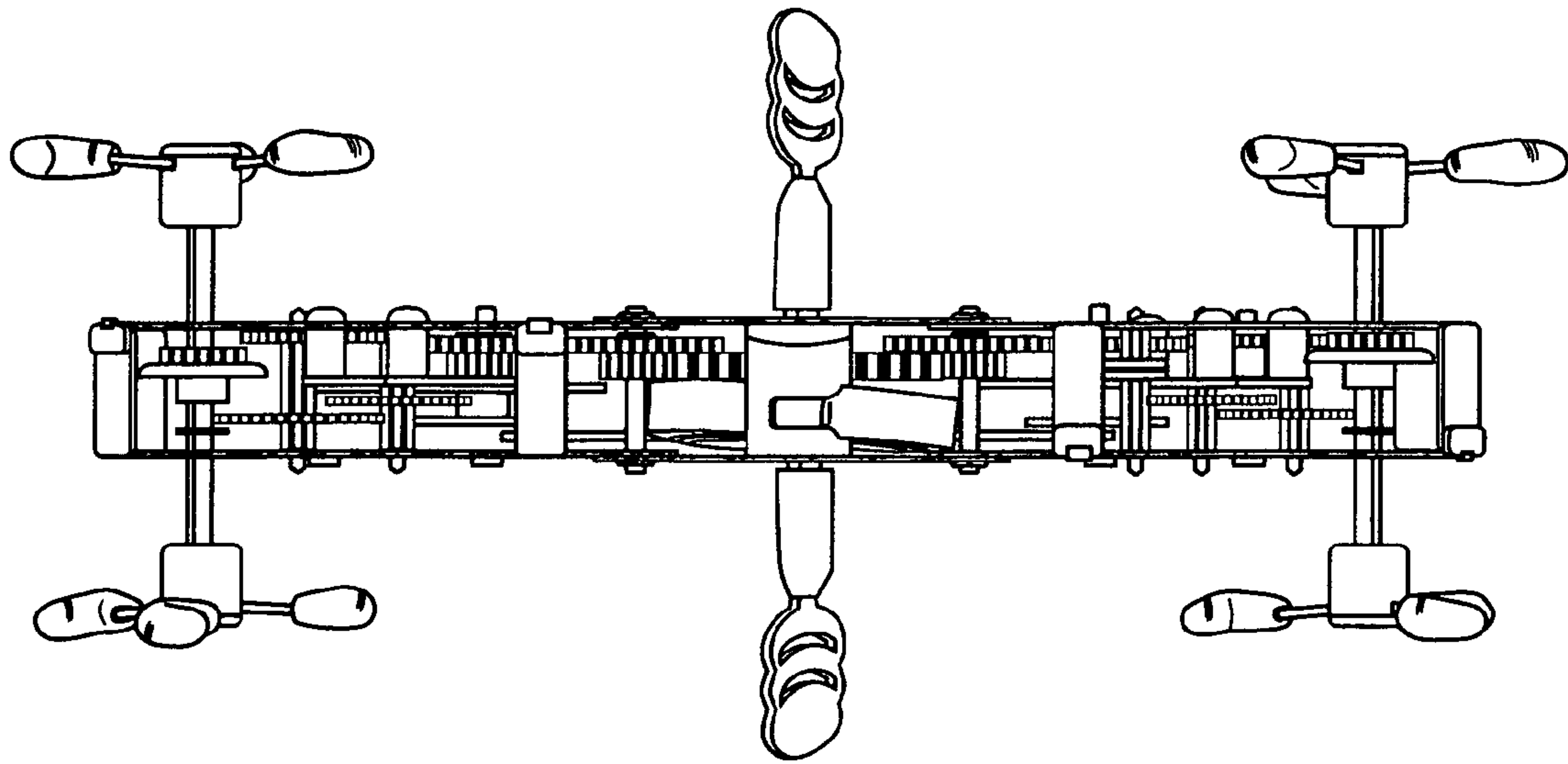
**FIG. 3**



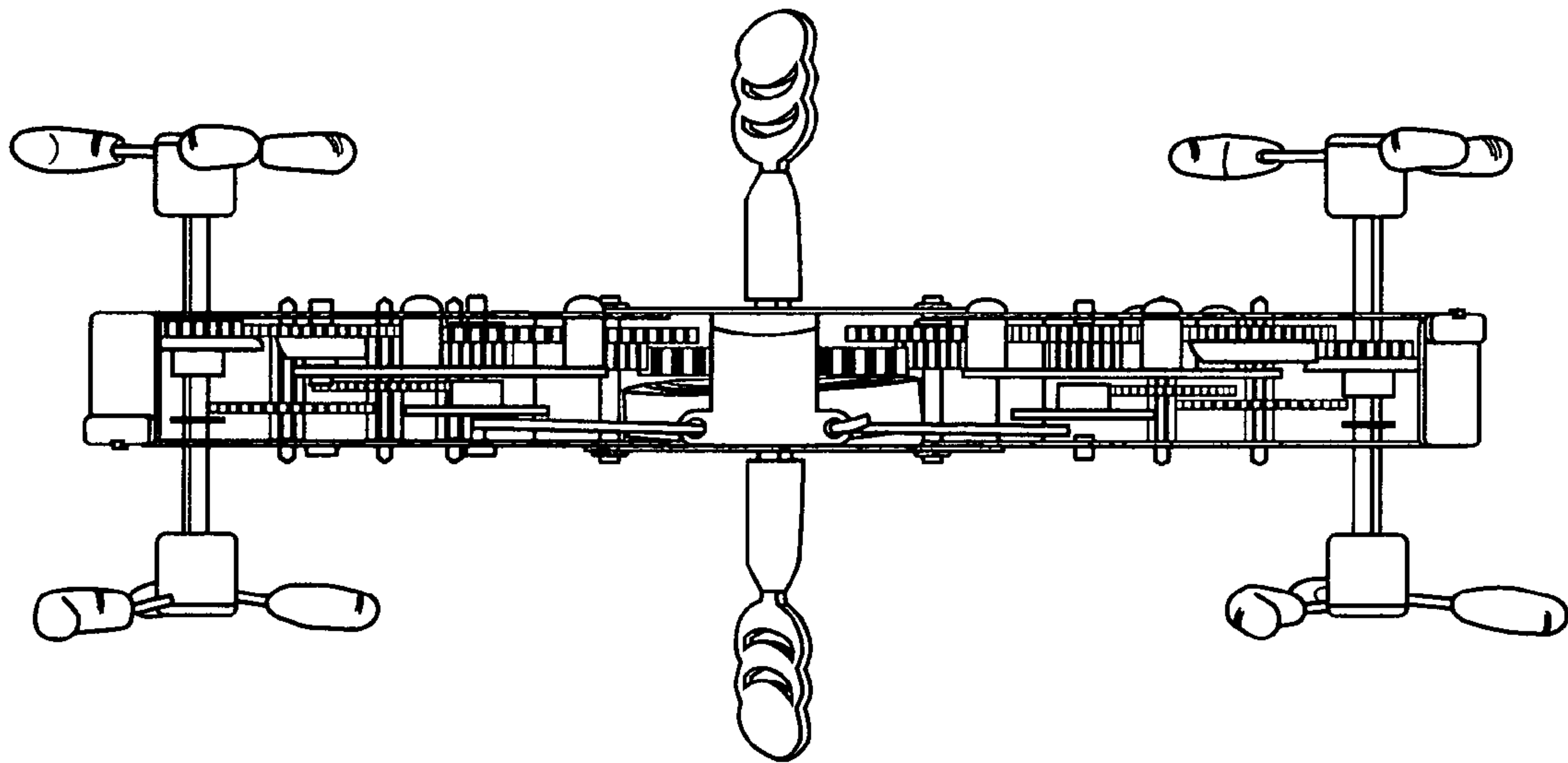
**FIG. 4**



**FIG. 5**

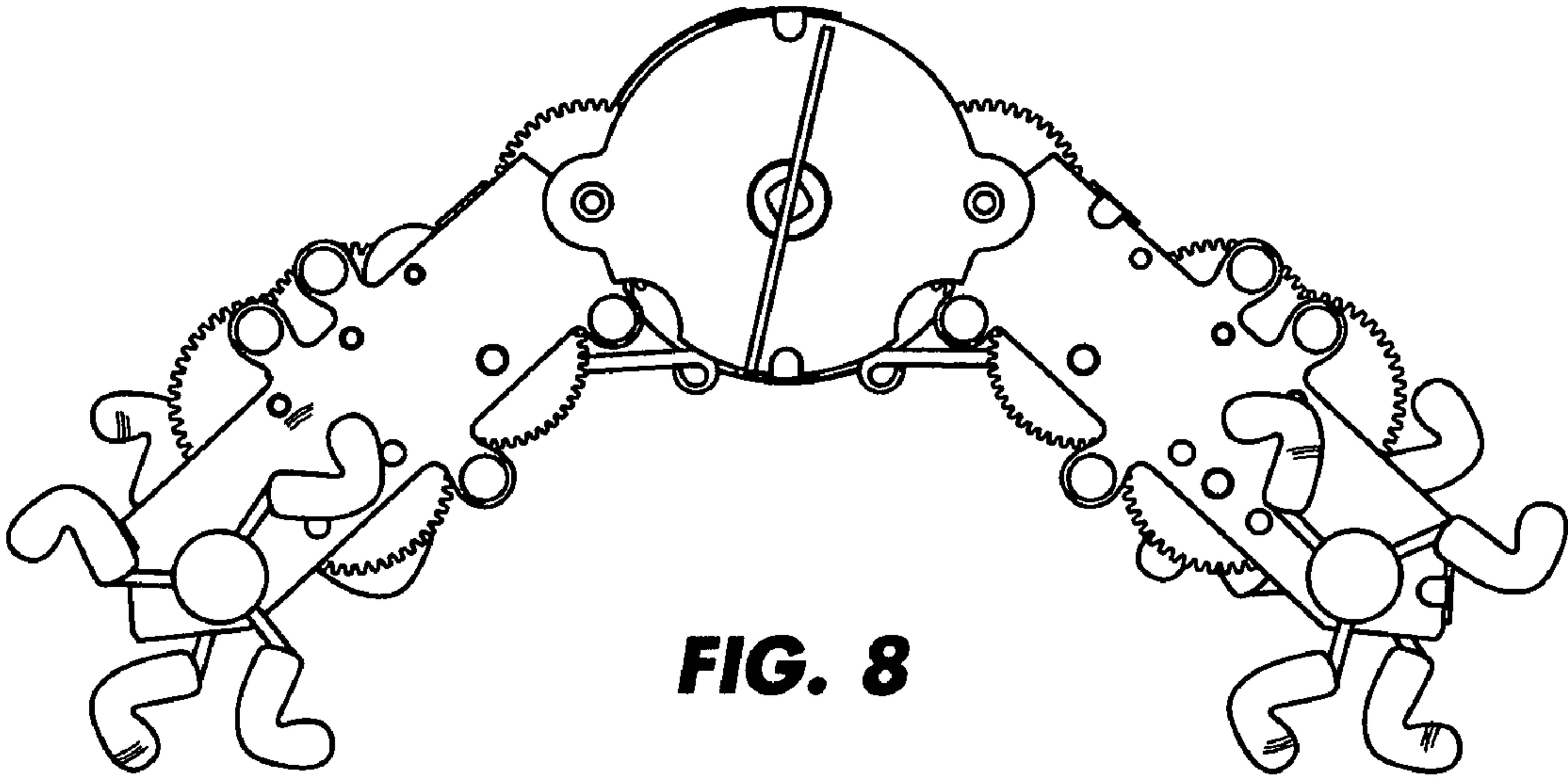


**FIG. 6**

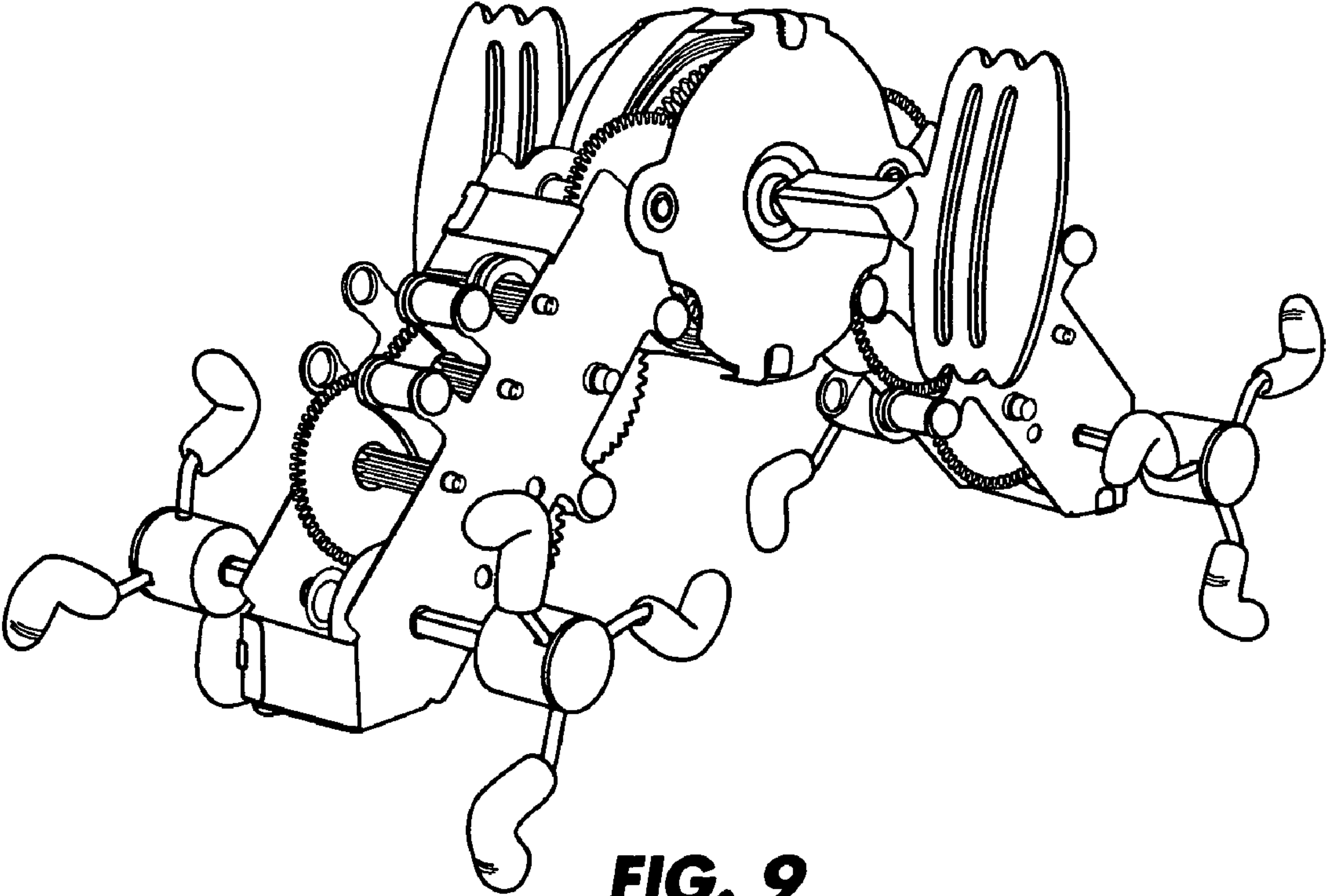


**FIG. 7**





**FIG. 8**



**FIG. 9**