



US00D583880S

(12) **United States Design Patent**  
**Slater et al.**

(10) **Patent No.:** **US D583,880 S**

(45) **Date of Patent:** **\*\* Dec. 30, 2008**

(54) **CONNECTOR FOR TOY PRODUCTS**

(75) Inventors: **Jeffrey Slater**, Raleigh, NC (US);  
**Carson Erik Ahlman**, New York, NY  
(US); **Christopher Paul Nunes**, Sleepy  
Hollow, NY (US); **Anthony Rogers**,  
Holland, PA (US)

(73) Assignee: **Nomaco, Inc.**, Zebulon, NC (US)

(\*\*) Term: **14 Years**

(21) Appl. No.: **29/285,222**

(22) Filed: **Mar. 23, 2007**

(51) **LOC (8) Cl.** ..... **21-01**

(52) **U.S. Cl.** ..... **D21/487**

(58) **Field of Classification Search** ..... D21/484-505;  
D25/113-118; D8/382, 397; 446/69, 85,  
446/102-128; 434/259; 273/153, 156  
See application file for complete search history.

(56) **References Cited**

**U.S. PATENT DOCUMENTS**

D281,984 S \* 12/1985 Nakao et al. .... D21/488  
5,531,625 A \* 7/1996 Zhong ..... 446/120

5,620,352 A \* 4/1997 Tzong ..... 446/120  
D397,168 S \* 8/1998 Poissant ..... D21/484  
D484,036 S \* 12/2003 Koch ..... D8/397  
D517,904 S \* 3/2006 Alkalay ..... D8/382  
D520,351 S \* 5/2006 Alkalay et al. .... D8/382  
D520,866 S \* 5/2006 Shirakawa ..... D8/397  
D521,858 S \* 5/2006 Roy ..... D8/397

\* cited by examiner

*Primary Examiner*—Holly H. Baynham

*Assistant Examiner*—Cynthia M. Chin

(74) *Attorney, Agent, or Firm*—Melvin I. Stoltz

(57) **CLAIM**

The ornamental design for a connector for toy products, as shown and described.

**DESCRIPTION**

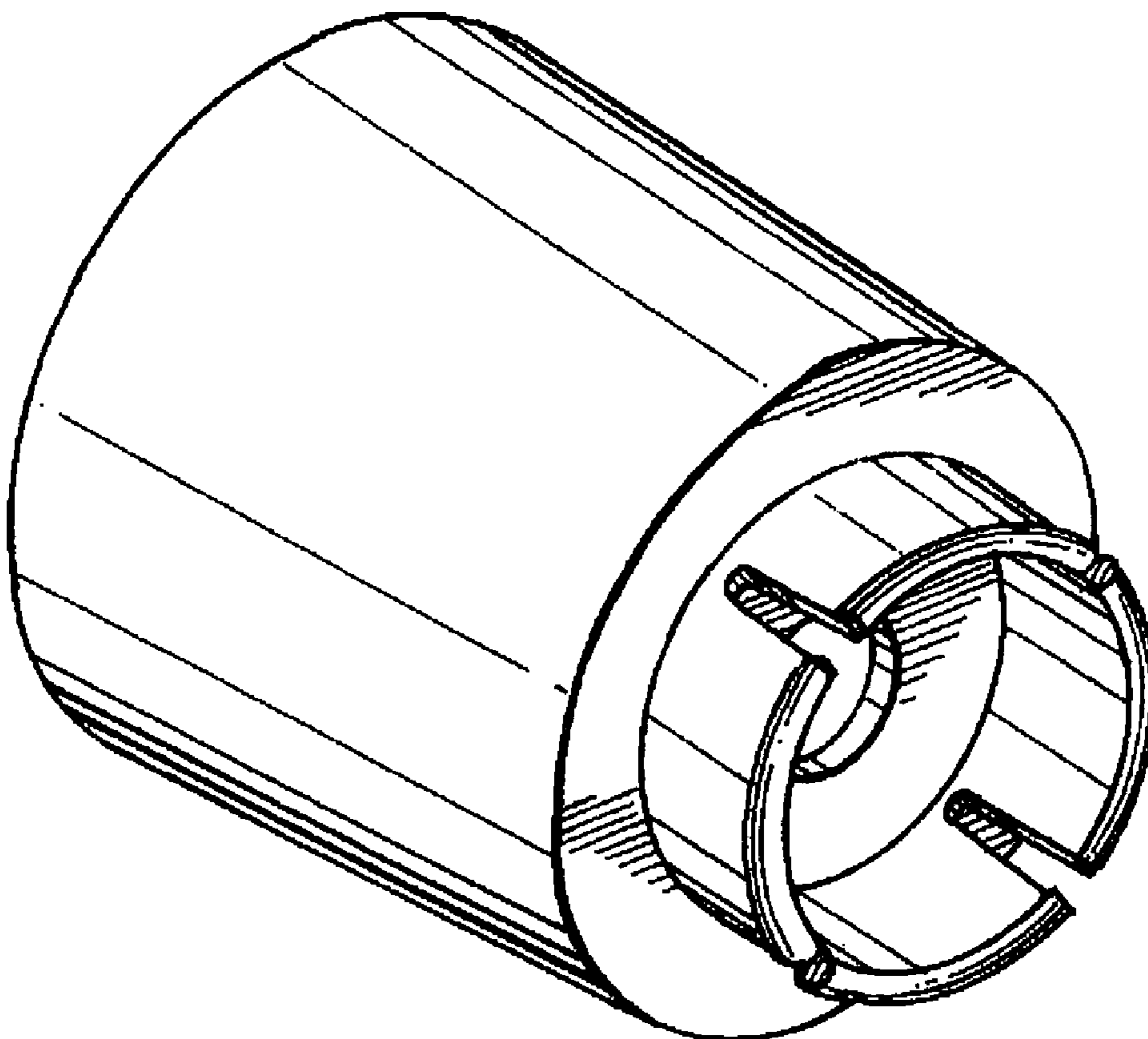
FIG. 1 is a perspective view of the connector for toy products showing our new design; and

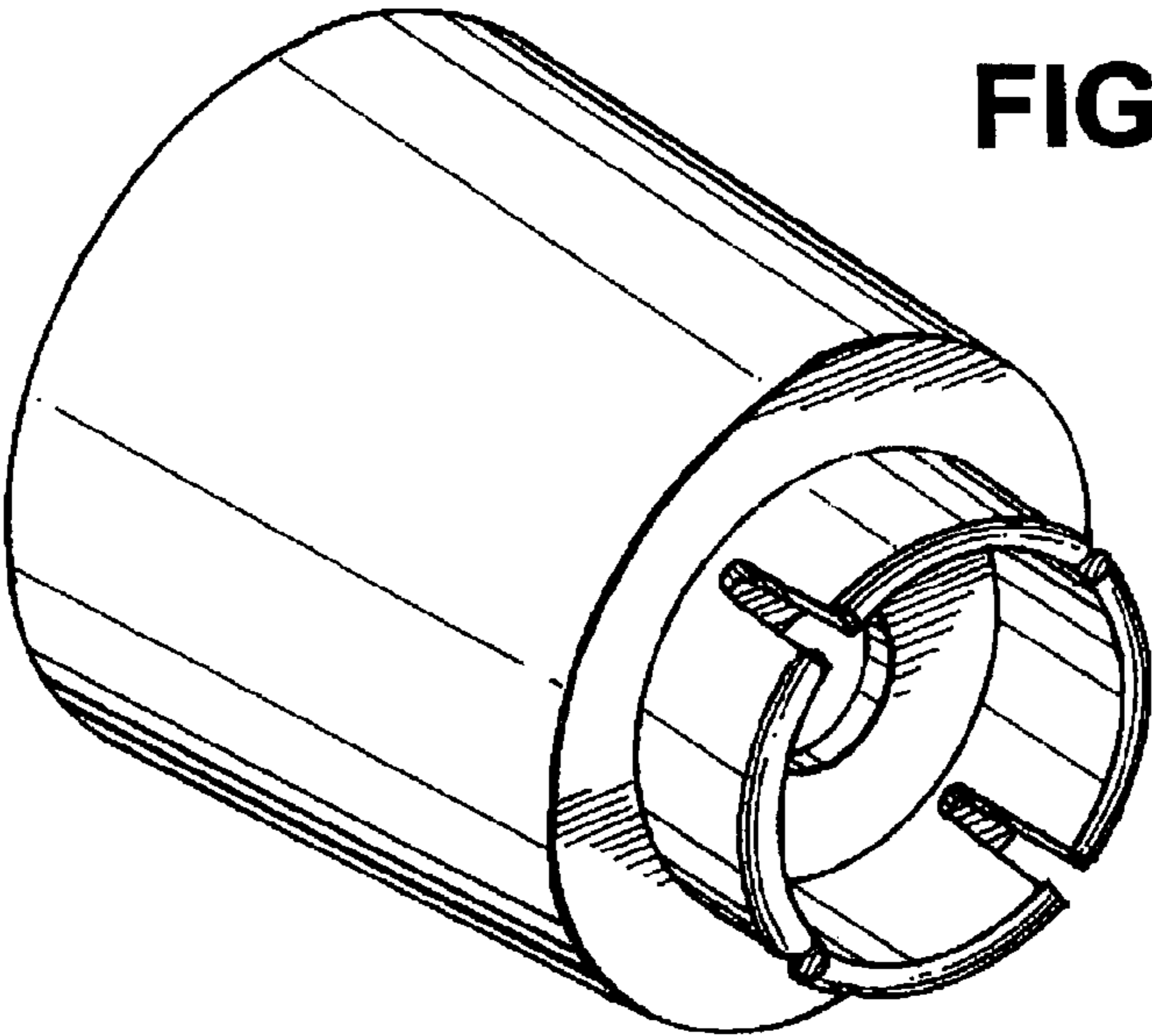
FIG. 2 is a top plan view thereof;

FIG. 3 is a side elevational view thereof, the opposite side being identical in appearance; and,

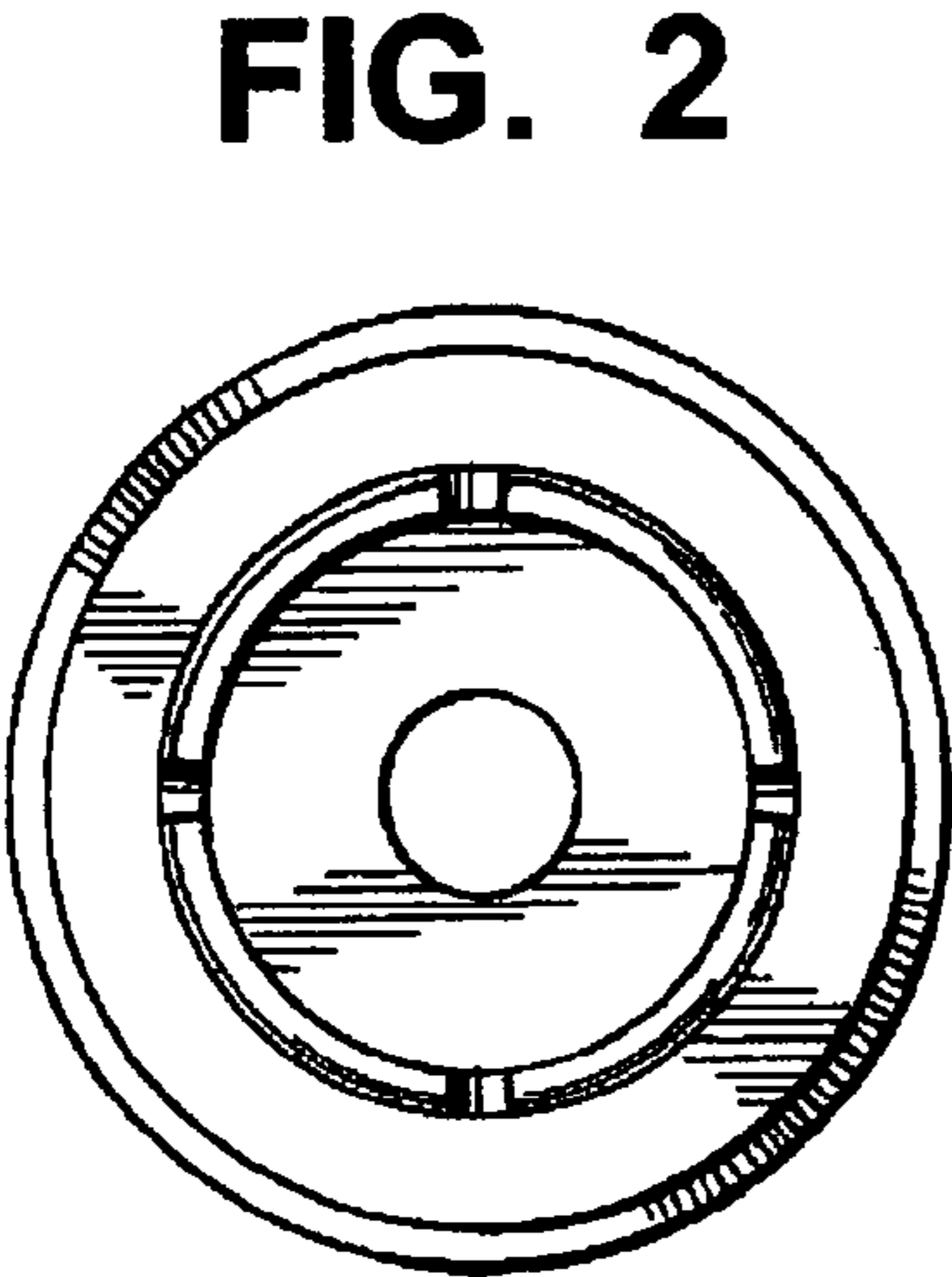
FIG. 4 is a bottom plan view thereof.

**1 Claim, 1 Drawing Sheet**

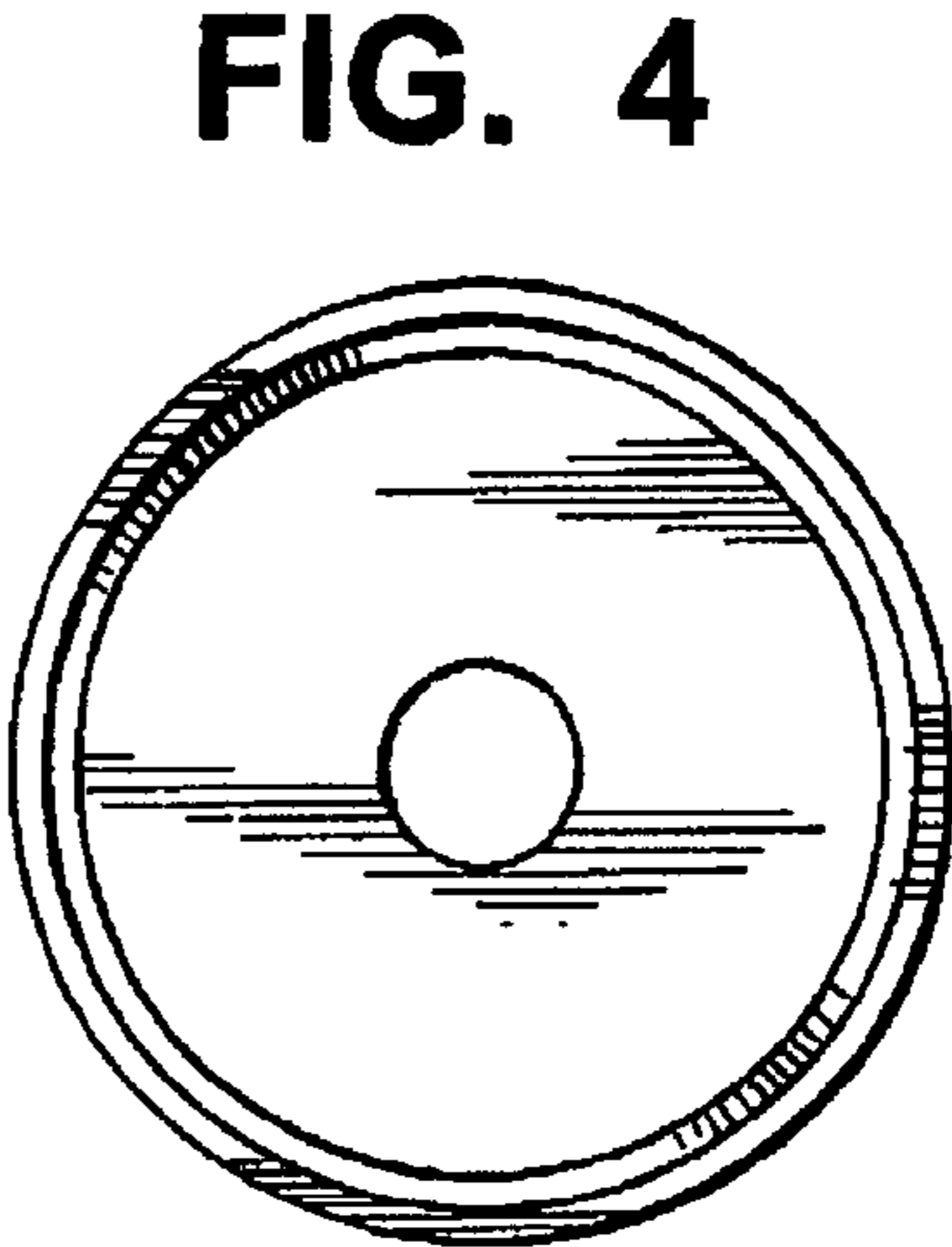




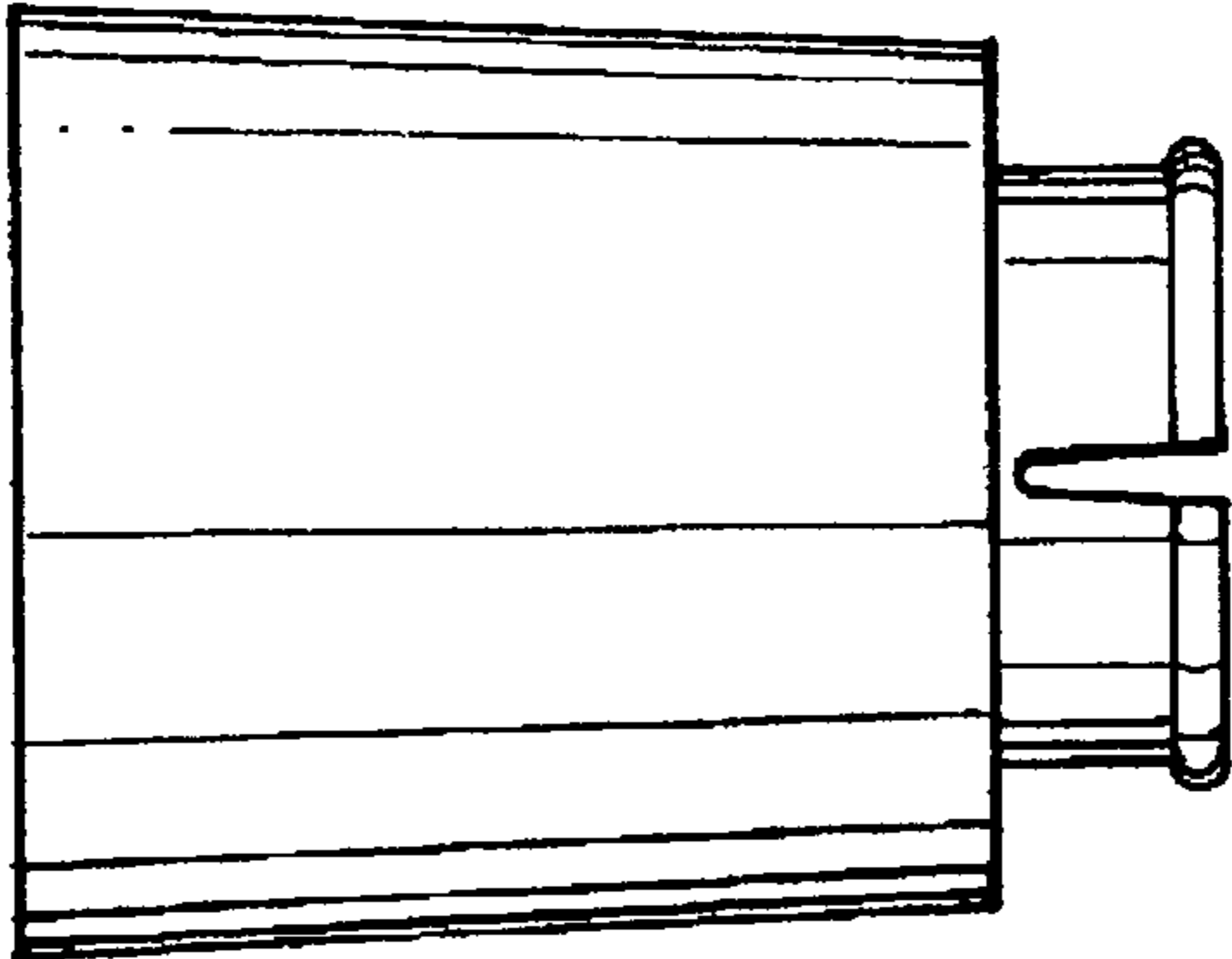
**FIG. 1**



**FIG. 2**



**FIG. 4**



**FIG. 3**