



US00D583879S

(12) **United States Design Patent**
Oberoi

(10) **Patent No.:** **US D583,879 S**
(45) **Date of Patent:** **** Dec. 30, 2008**

(54) **PAIR OF LIGHT EMITTING ORNAMENTS FOR A TOY MILITARY HELICOPTER**

(75) Inventor: **Obie (Rohit) Oberoi**, Arlington, TX (US)

(73) Assignee: **DMA Inc**, Arlington, TX (US)

(**) Term: **14 Years**

(21) Appl. No.: **29/292,269**

(22) Filed: **Oct. 6, 2007**

(51) **LOC (8) Cl.** **21-01**

(52) **U.S. Cl.** **D21/453**

(58) **Field of Classification Search** D21/436-454;
D12/319-345; D26/1-3, 24-36, 51, 97;
446/34-68, 88, 230-232; 244/4 R-4 A, 153 R-153 A;
362/234, 249, 252, 253, 555, 559, 565, 581,
362/612, 800

See application file for complete search history.

(56) **References Cited**

U.S. PATENT DOCUMENTS

1,340,259	A *	5/1920	Taylor	446/54
3,362,659	A *	1/1968	Razak	244/207
4,942,506	A *	7/1990	Flory	362/253
5,828,172	A *	10/1998	Berthold et al.	313/512
D443,902	S *	6/2001	Wang	D21/453
D464,604	S *	10/2002	Jamgarov	D12/319
6,527,408	B1 *	3/2003	Korenek, Jr.	362/184
6,592,235	B1 *	7/2003	Mayo	362/103
6,729,745	B2 *	5/2004	Yang	362/203
D500,152	S *	12/2004	Stekelenburg	D26/26
6,962,423	B2 *	11/2005	Hamilton et al.	362/12
2002/0126482	A1 *	9/2002	Chen	362/249
2004/0075028	A1 *	4/2004	Wang	244/154
2004/0174718	A1 *	9/2004	Ohlund	362/656
2004/0208002	A1 *	10/2004	Wu	362/226

* cited by examiner

Primary Examiner—Catherine Tuttle

(57) **CLAIM**

The ornamental design for a pair of light emitting ornaments for a toy military helicopter, as shown and described.

DESCRIPTION

FIG. 1 is a front perspective view showing my new design for a pair of light emitting ornaments for a toy military helicopter, shown attached by way of struts to the right and left armament booms of a toy military helicopter said environmental structure being shown in broken lines;

FIG. 2 is a right side view of the right side ornament, wherein the right side view of the left side ornament is identical, and the left side views of the right and left side ornaments are symmetrical;

FIG. 3 is a rear view of the left side ornament, wherein the rear view of the right side ornament is identical;

FIG. 4 is a top view of the right side ornament, wherein the right side armament boom has been made transparent so as not to obscure the top of the right side ornament and mounting strut, and wherein the top view of the left side ornament is identical;

FIG. 5 is a bottom view of the right side ornament, wherein the bottom view of the left side ornament is identical;

FIG. 6 is a top right perspective view of the right side ornament, the top left side view of the left side ornament being symmetrical thereto;

FIG. 7 is a top right perspective view showing the design with both ornaments emitting light;

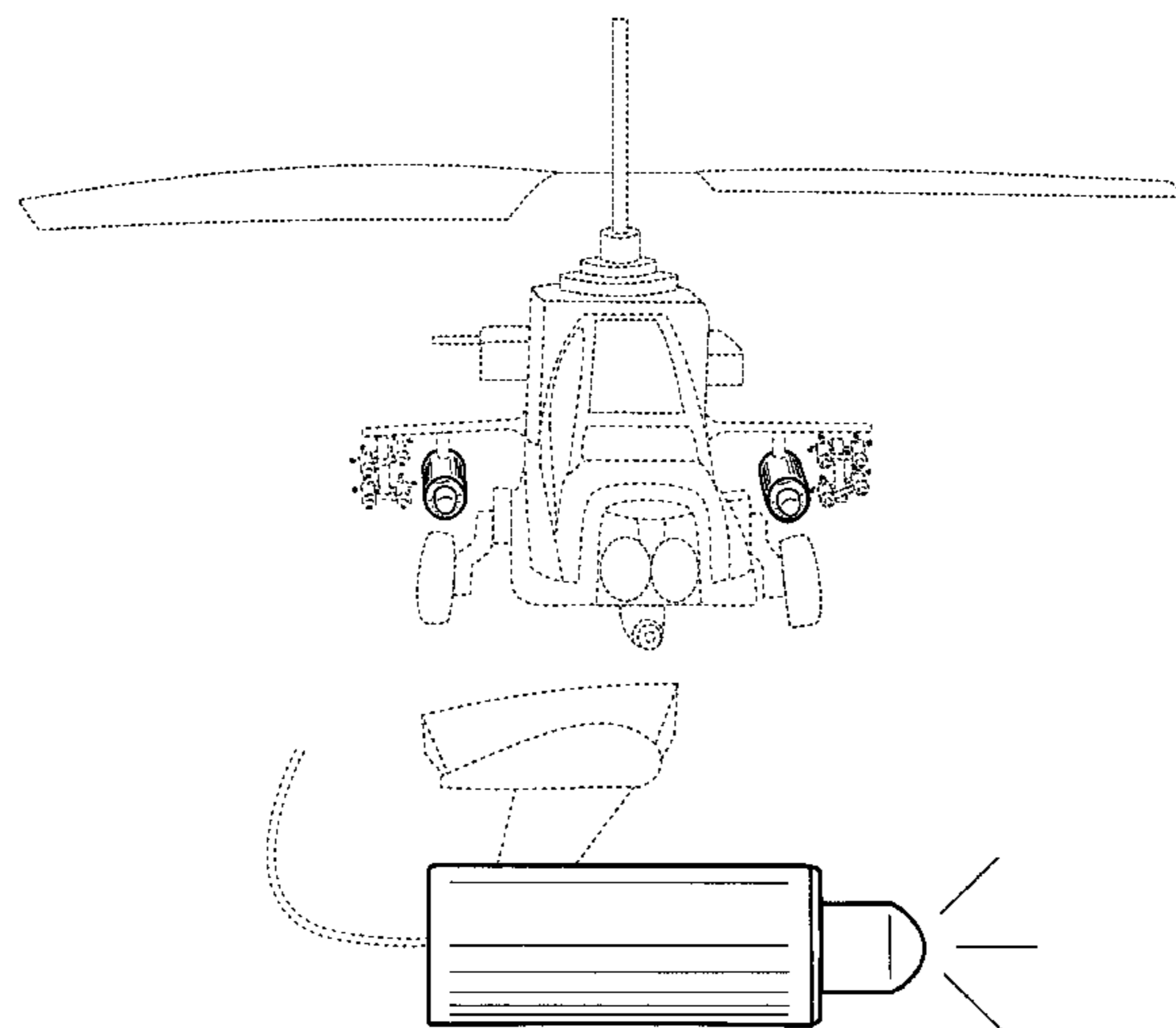
FIG. 8 is a top right perspective view showing the design with the right side ornament emitting light;

FIG. 9 is a top right perspective view showing the design with the left side ornament emitting light; and,

FIG. 10 is a top right perspective view showing the design with neither ornament emitting light.

The broken lines are included for the purpose of illustrating environmental structure that forms no part of the claimed design.

1 Claim, 8 Drawing Sheets



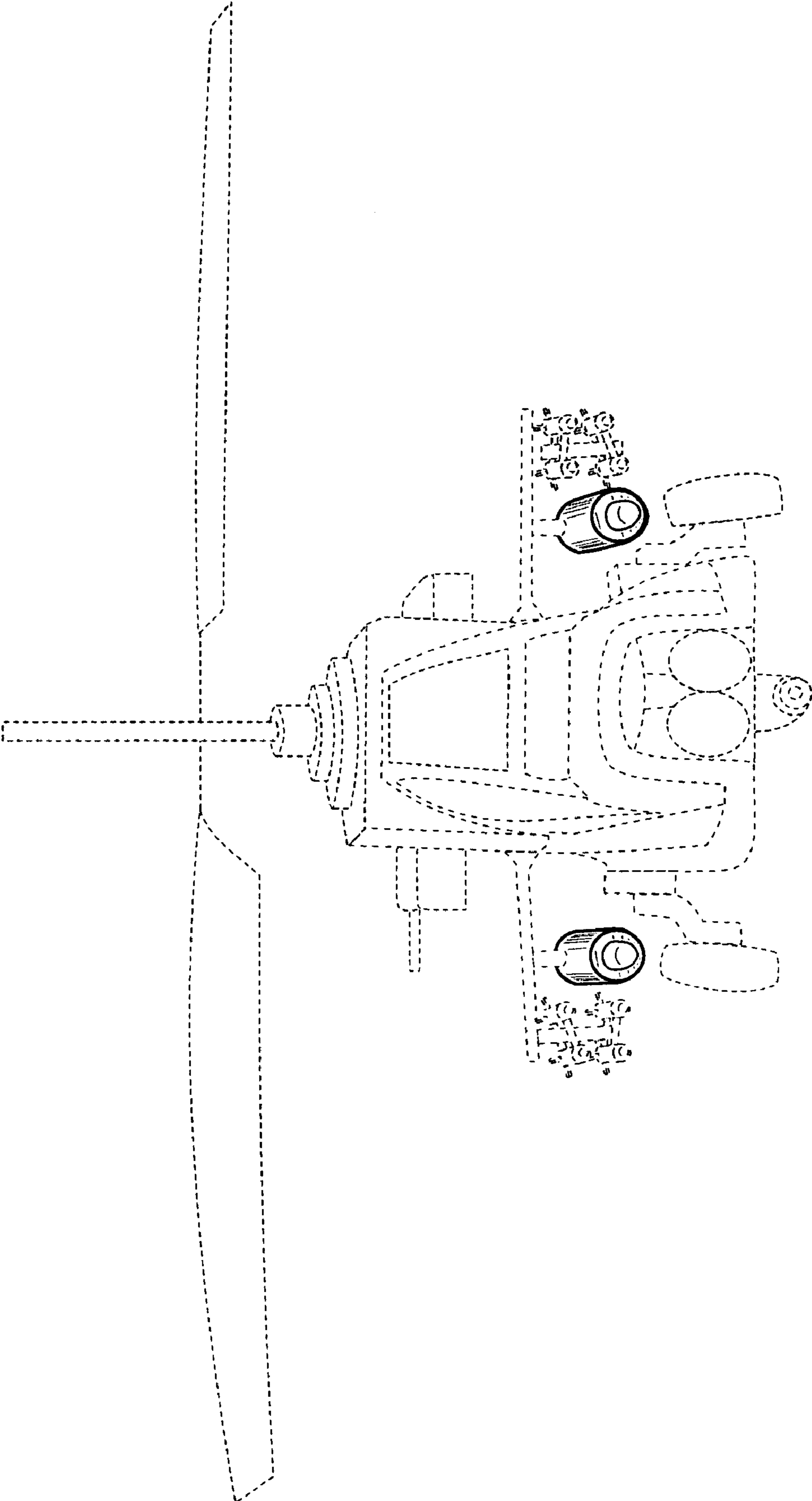


FIG 1

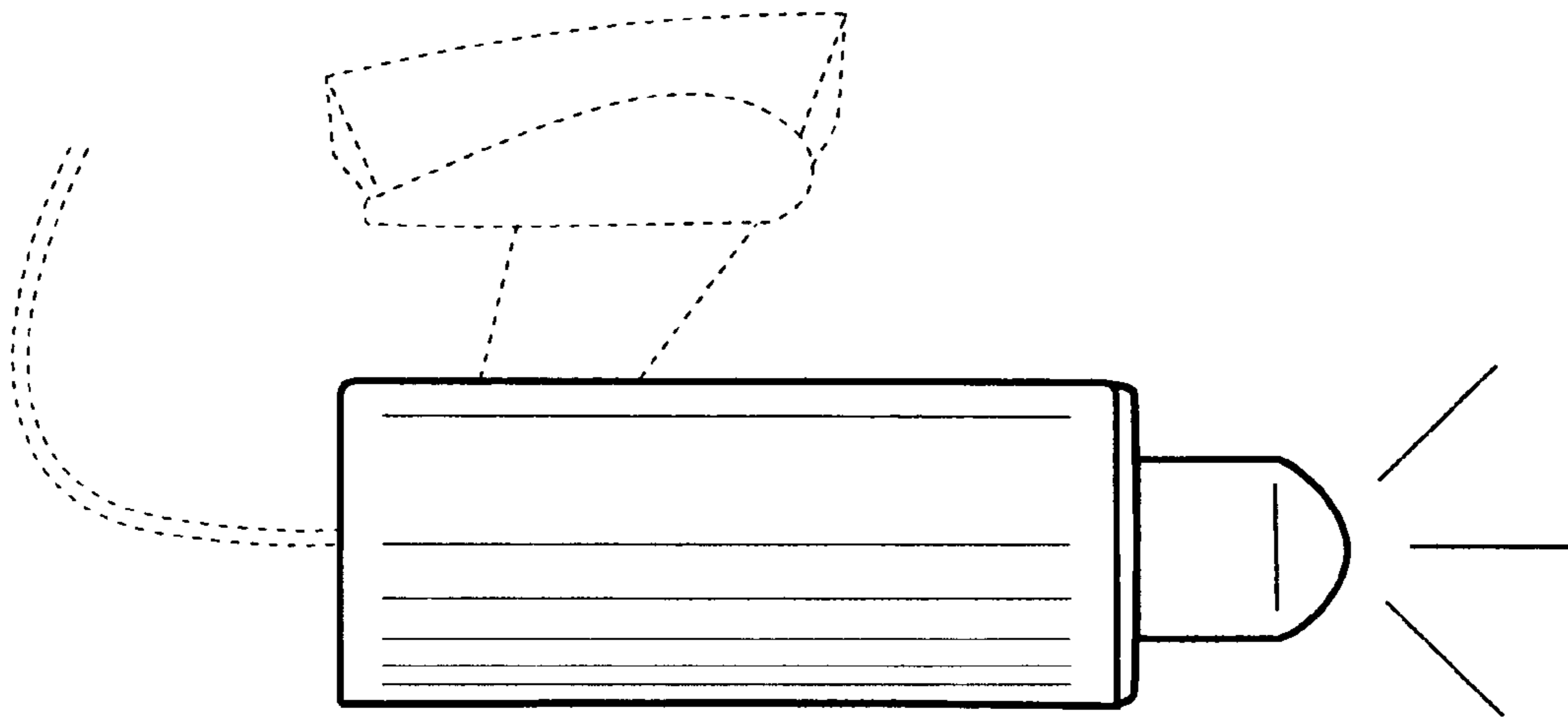


FIG 2

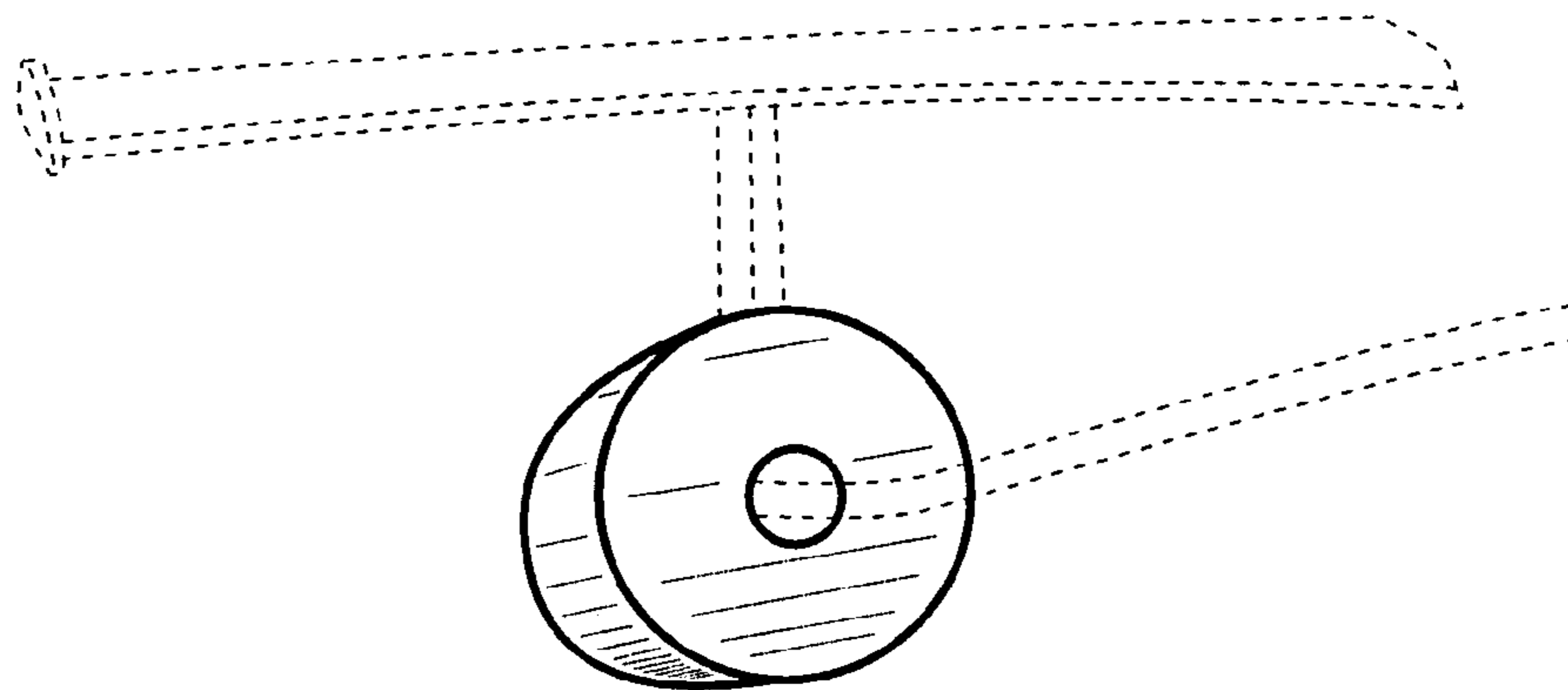


FIG 3

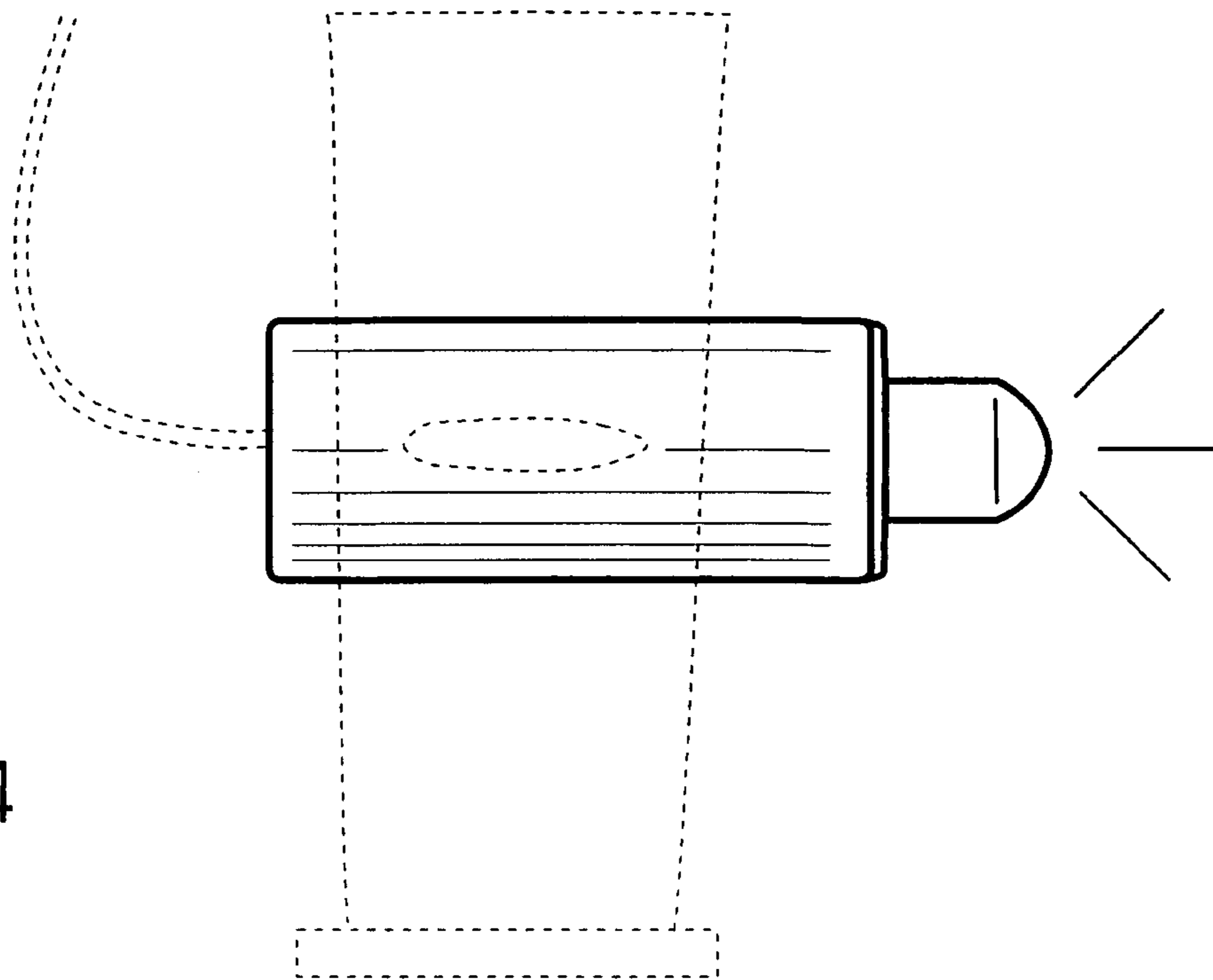


FIG 4

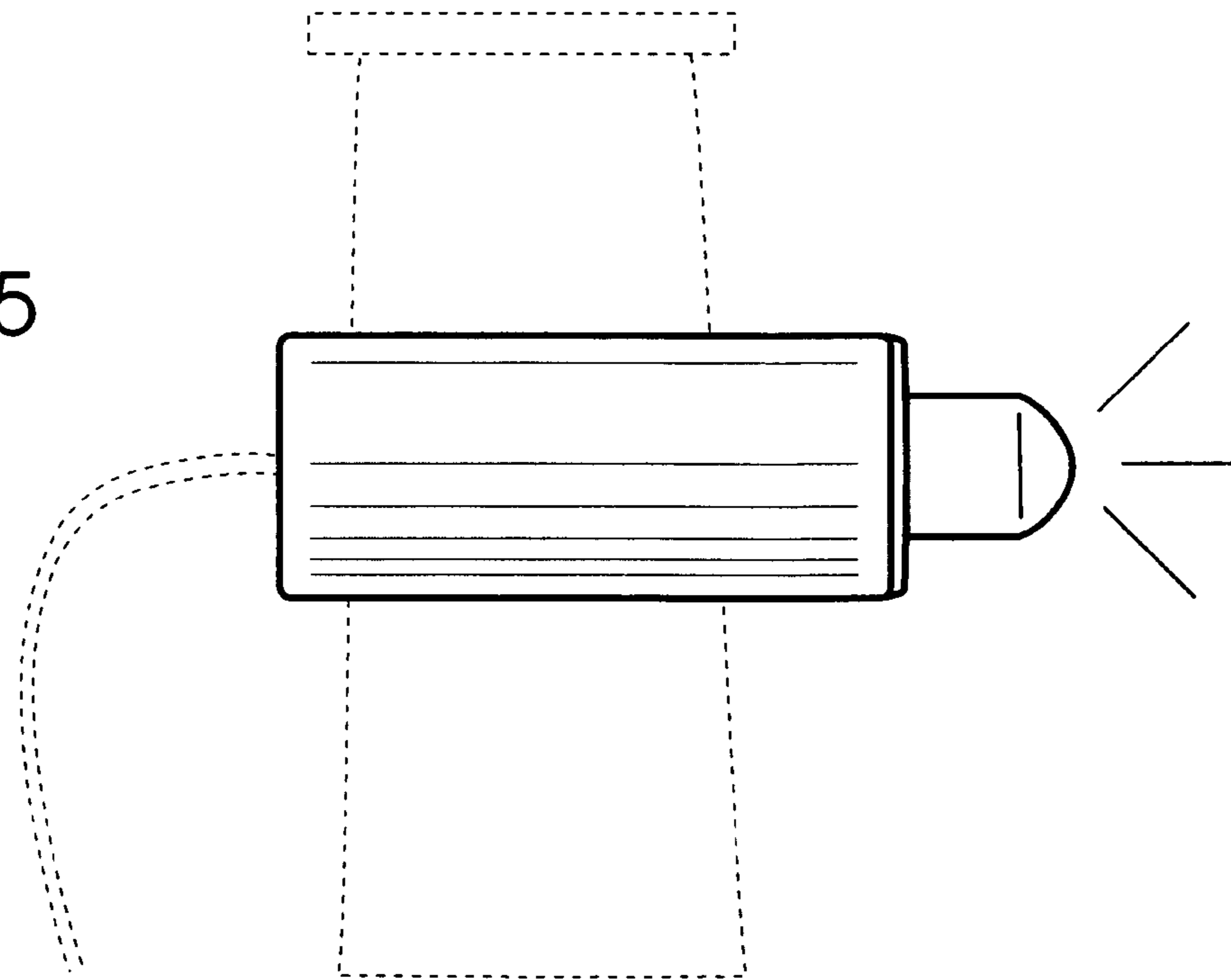


FIG 5

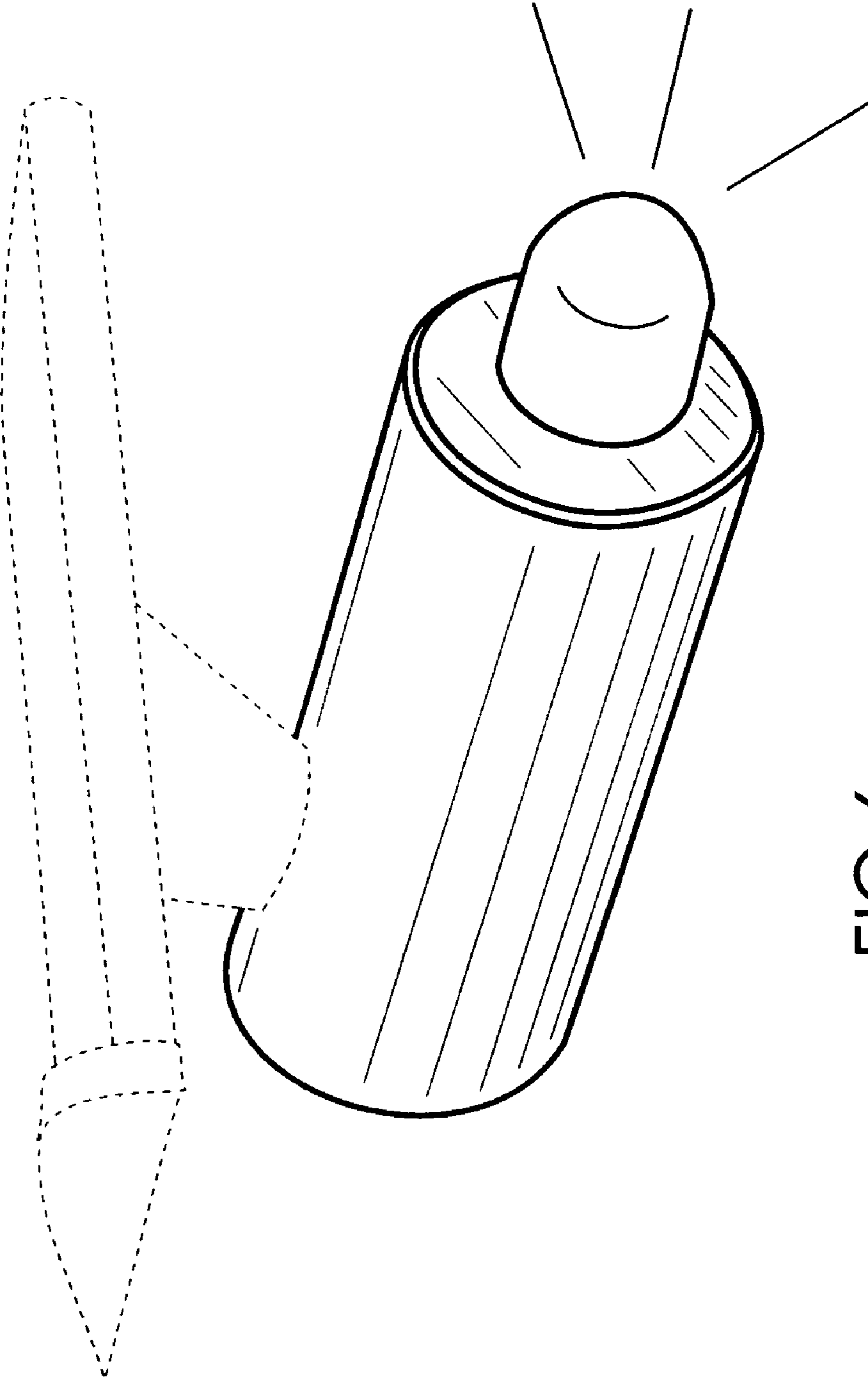


FIG 6

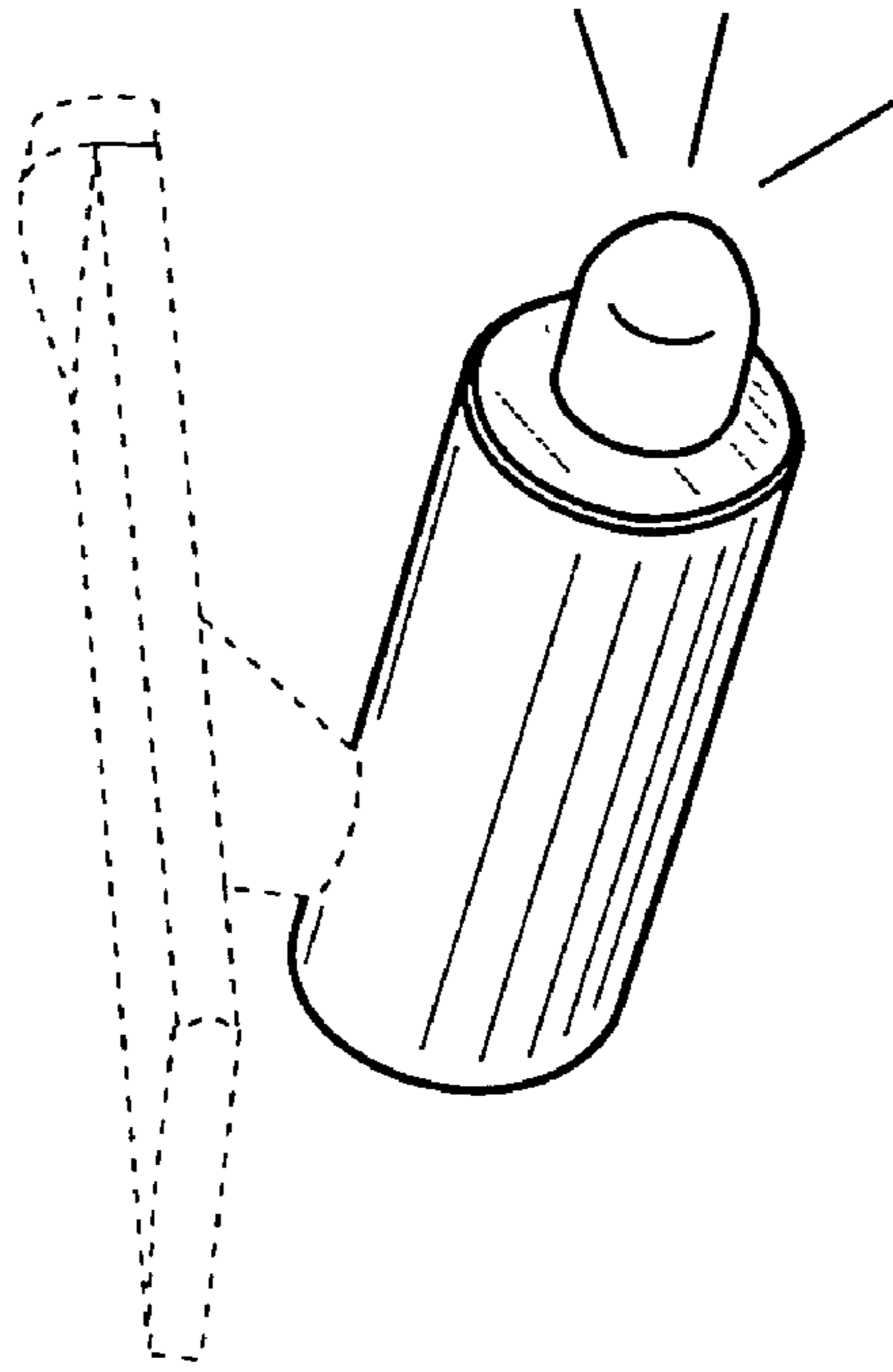
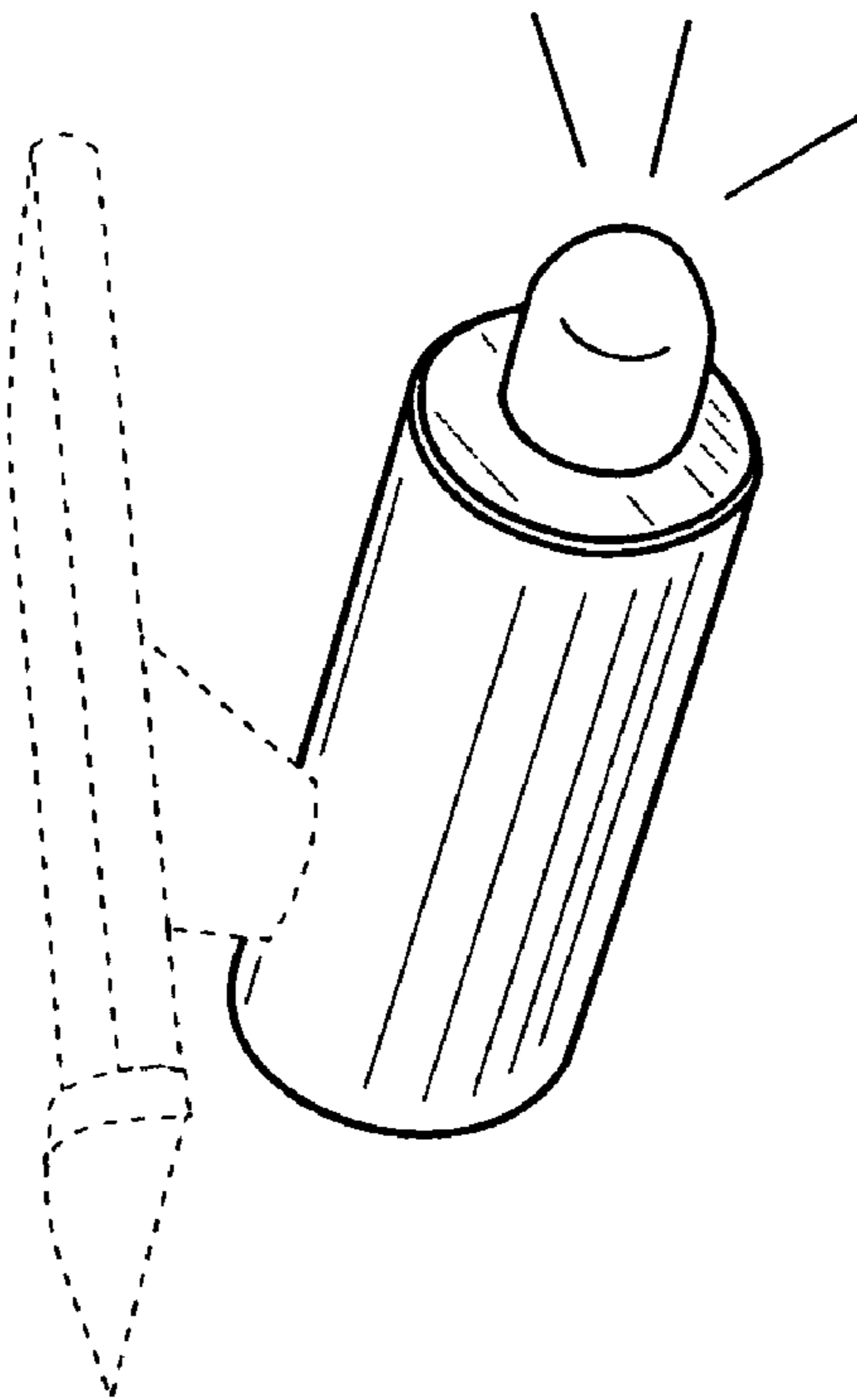


FIG 7



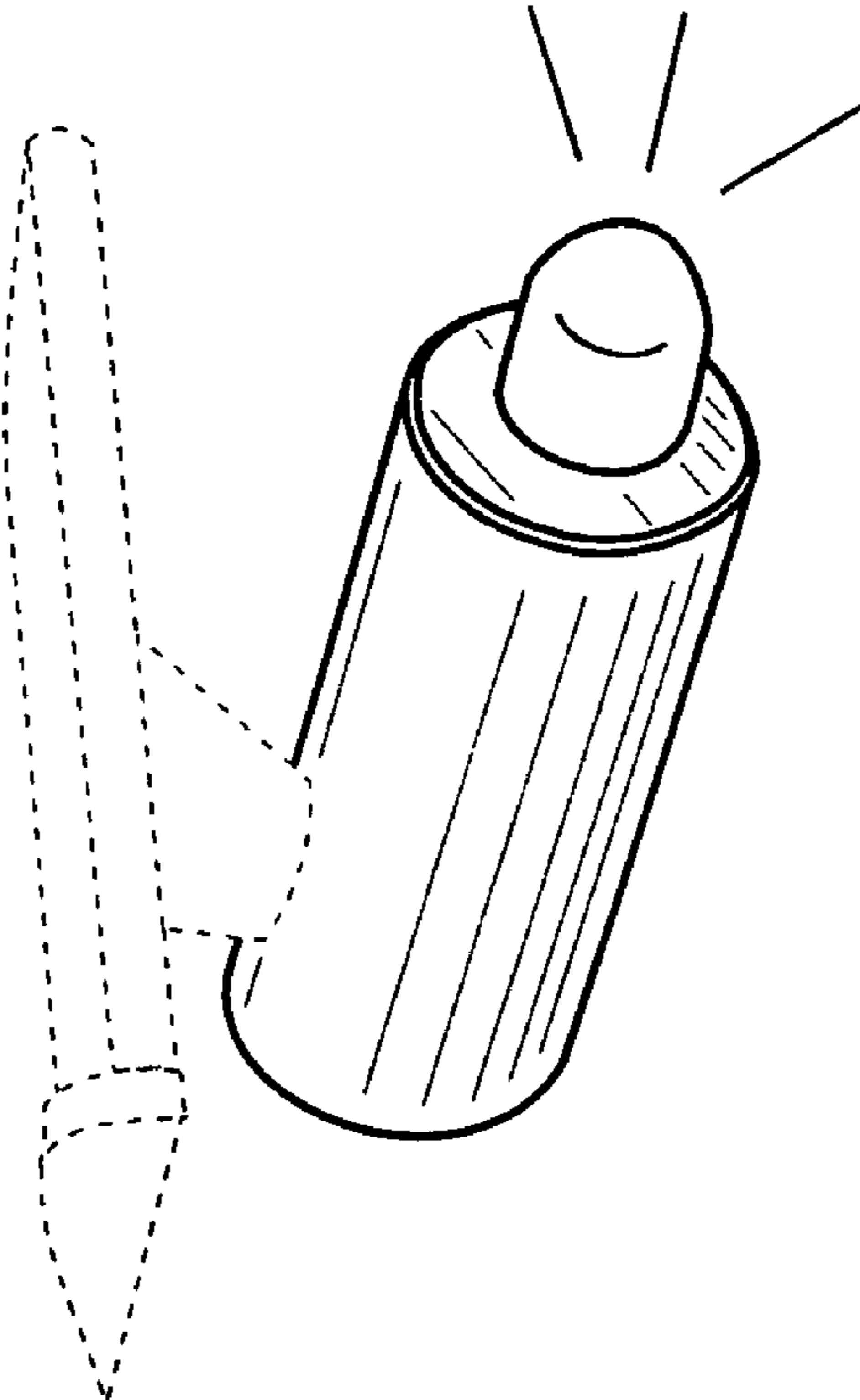
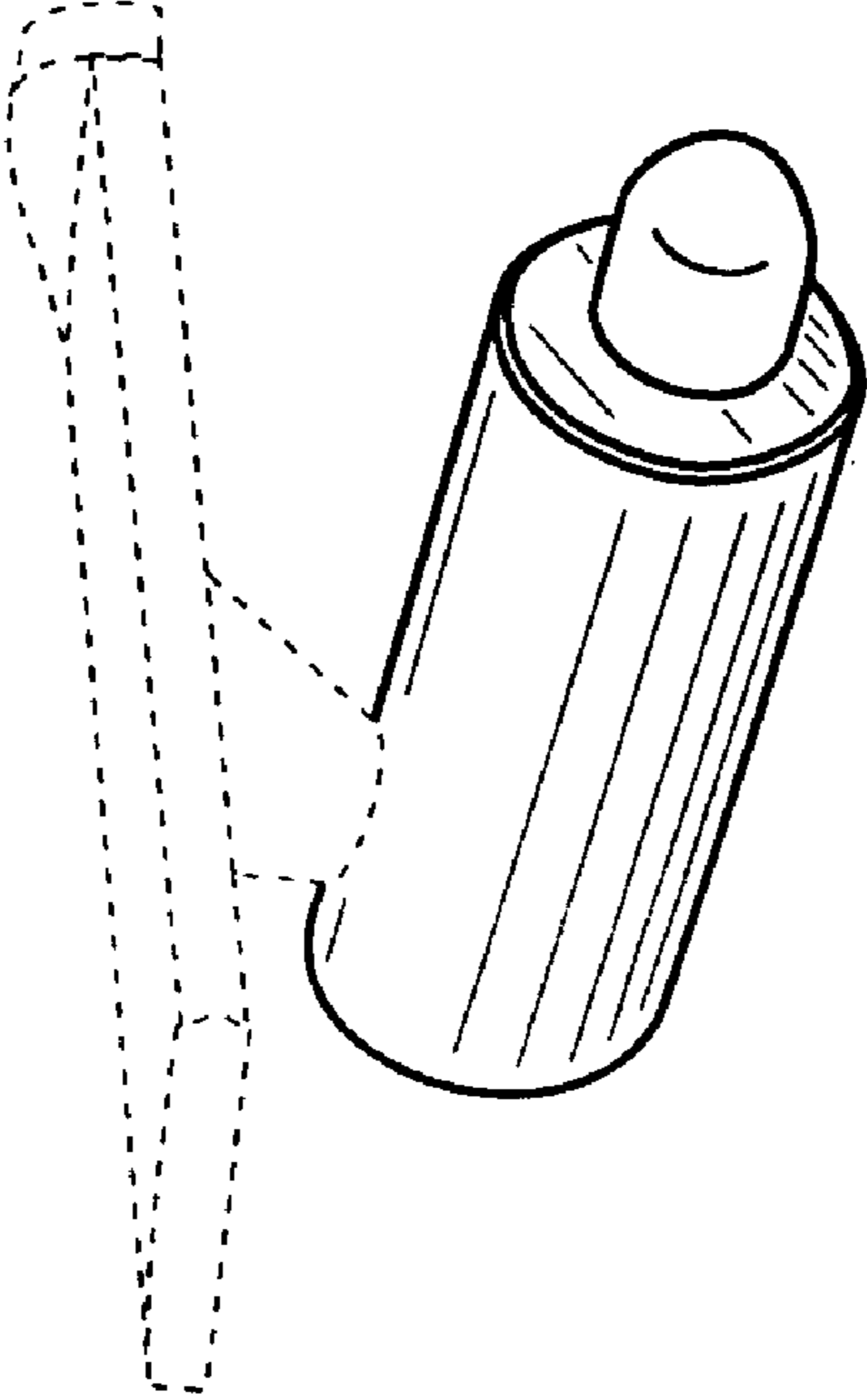


FIG 8

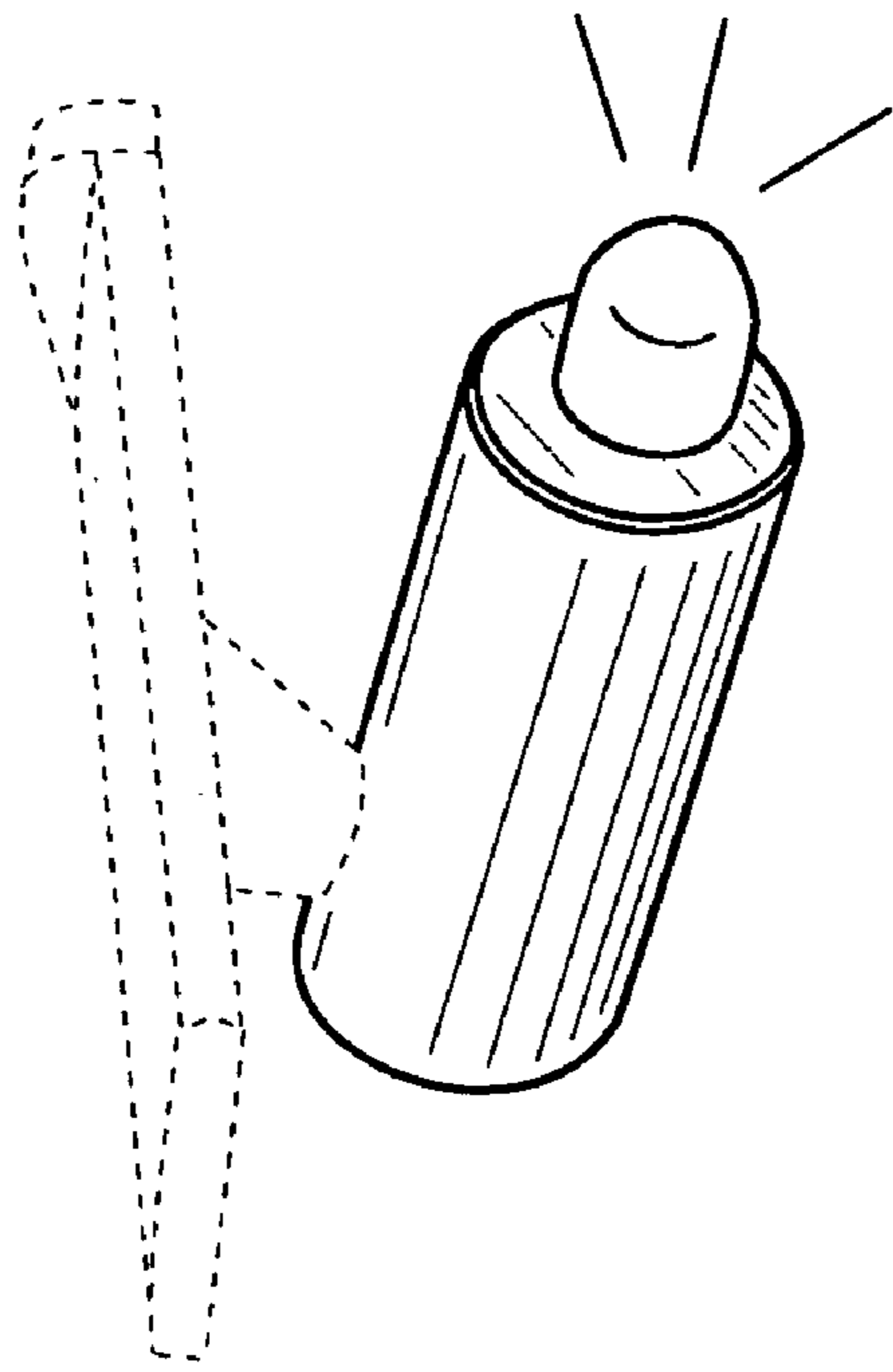
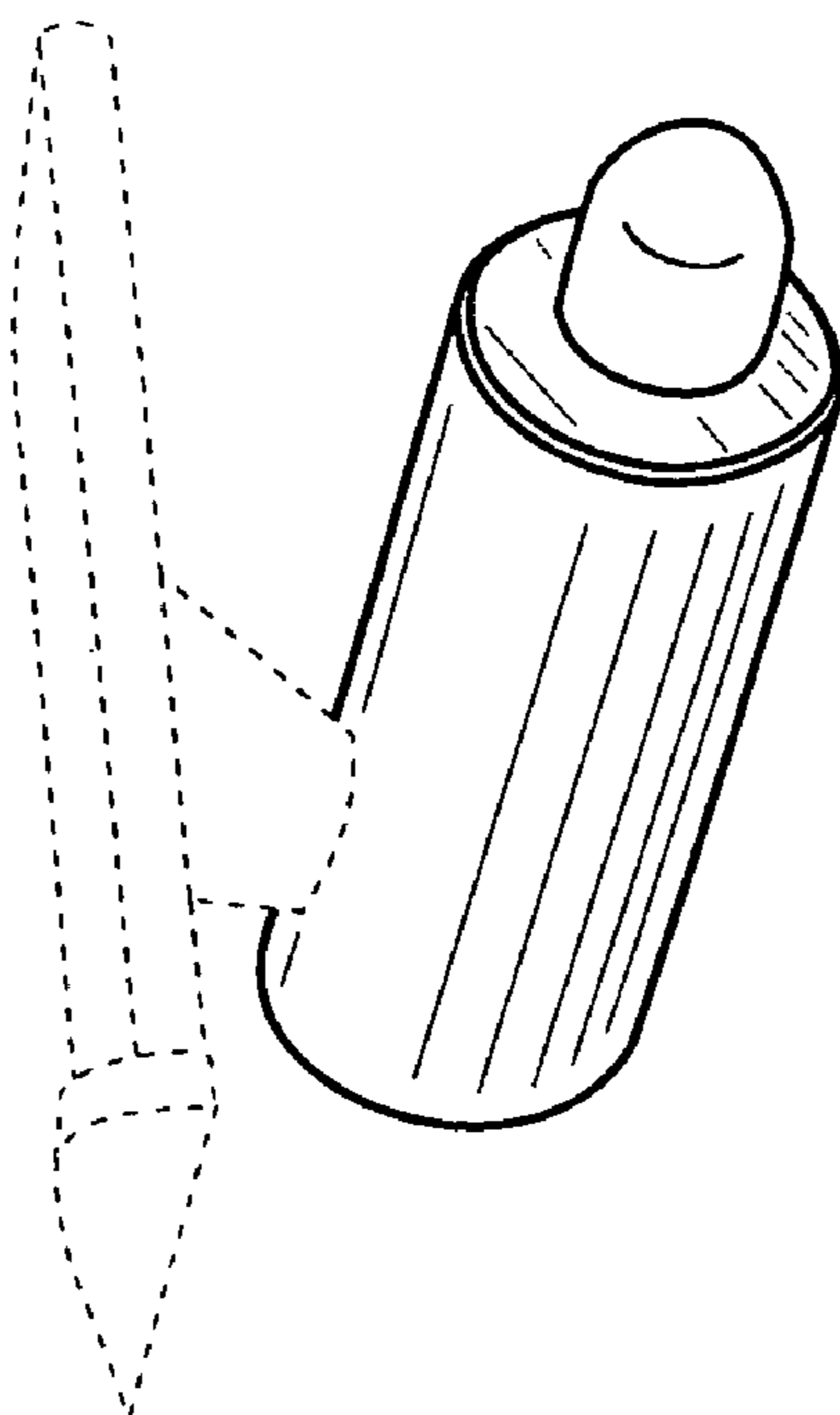


FIG 9



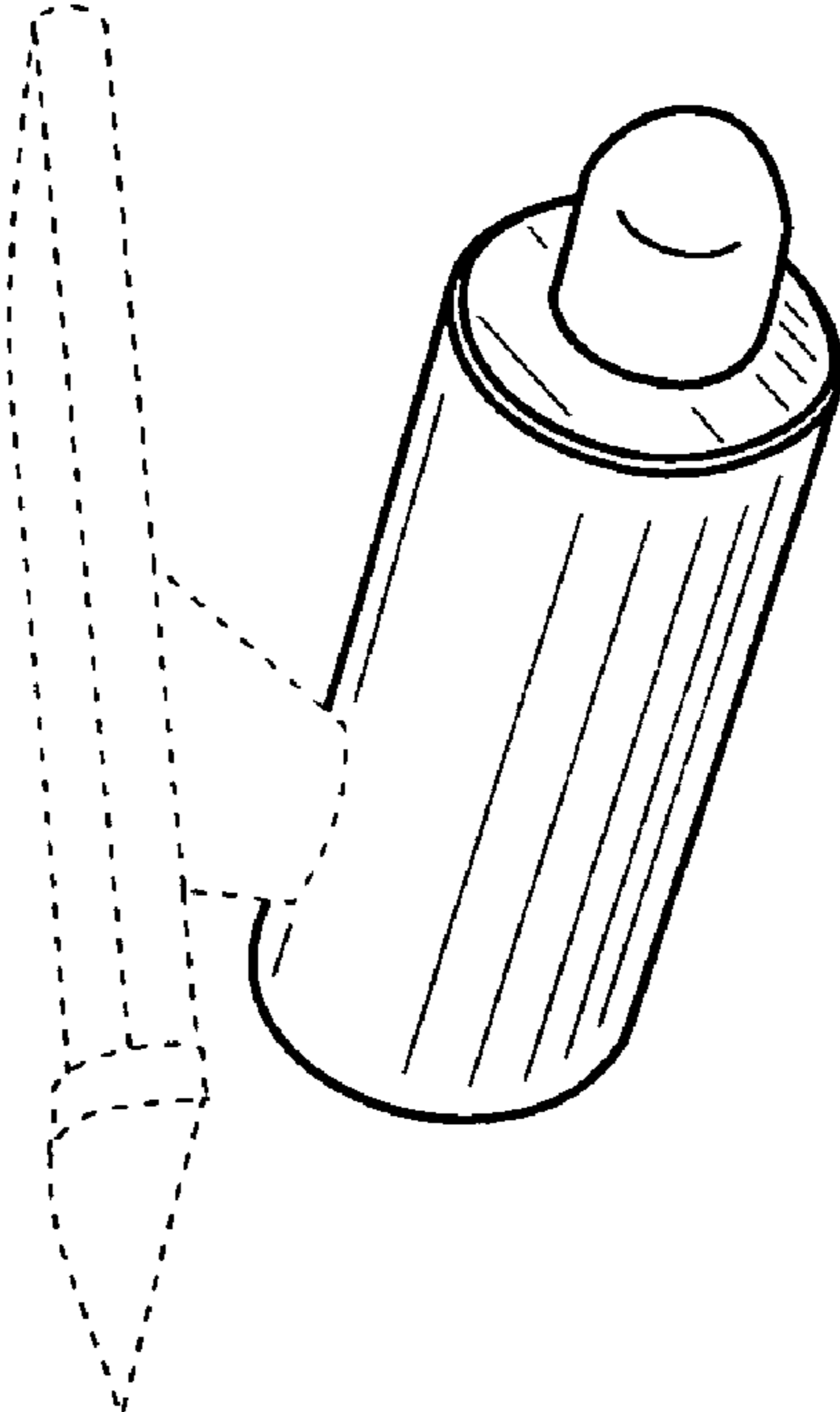
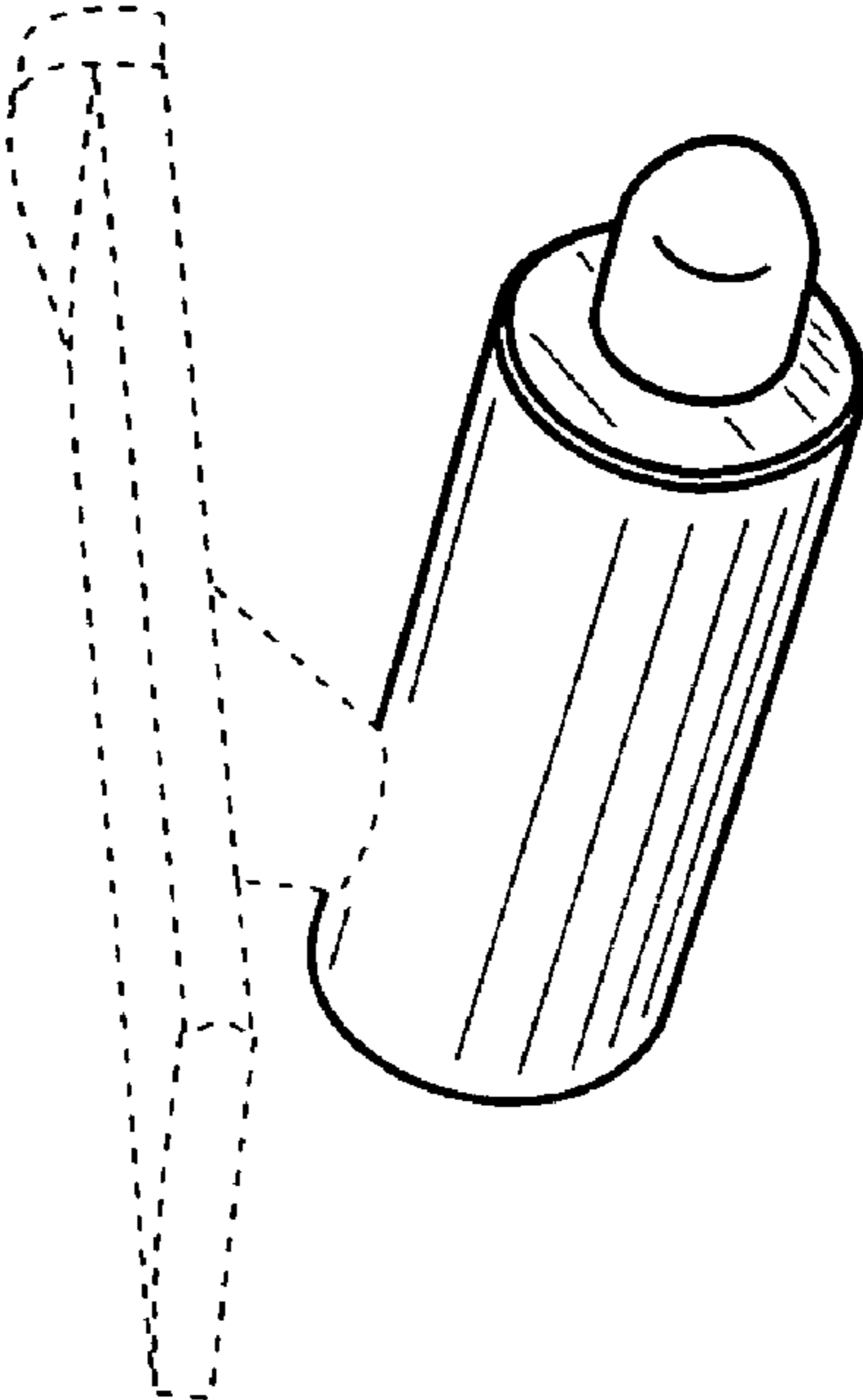


FIG 10