



US00D583878S

(12) **United States Design Patent**
Lo et al.

(10) **Patent No.:** **US D583,878 S**
(45) **Date of Patent:** **** Dec. 30, 2008**

(54) **BUBBLE STICK**

D485,584 S * 1/2004 Lovullo et al. D21/402

(75) Inventors: **Lap Shun Lo**, Hong Kong (CN); **Wai Chung Lo**, Hong Kong (CN)

(73) Assignee: **Wing Hing Manufacturing Co. Ltd.**, Hong Kong (CN)

(**) Term: **14 Years**

(21) Appl. No.: **29/282,650**

(22) Filed: **Jul. 26, 2007**

(51) **LOC (8) Cl.** **21-01**

(52) **U.S. Cl.** **D21/402**

(58) **Field of Classification Search** D21/401,
D21/402; D9/715, 719, 723, 503, 505, 521,
D9/436, 439, 440, 447, 449, 450, 544-546,
D9/553, 556, 549, 558; D19/36, 41-51;
D28/7, 77, 91.1; 446/15-21, 267, 475; 215/228,
215/355, 356; 401/118-130, 195

See application file for complete search history.

(56) **References Cited**

U.S. PATENT DOCUMENTS

D11,457 S *	10/1879	Aiken	D11/79
2,858,639 A *	11/1958	Lawrence	446/16
D185,414 S *	6/1959	Daily	D24/115
D276,285 S *	11/1984	Tober et al.	D3/300
5,183,428 A *	2/1993	Lin	446/15
D342,028 S *	12/1993	Stenger	D9/521
5,507,401 A *	4/1996	Huang	215/12.1
D371,805 S *	7/1996	Lee	D19/44
6,059,629 A *	5/2000	Lin	446/15
6,132,125 A *	10/2000	Lin	401/195
D437,614 S *	2/2001	Lin	D19/36
6,287,165 B1 *	9/2001	Lin	446/16

OTHER PUBLICATIONS

Spin Master, Big Bubbler, Photographed at Walmart Store in USA by Inventor on Feb. 7, 2007.*

Lanard Big Bubbler Bubble Wand and Bubble Sword, photographed at Walmart Store in USA by inventor on Mar. 16, 2007.*

Ninja Sword and Ninja Sword Handle, photographed in Tampa, Florida by inventor on Jun. 2007. (i. e. green colored products shown in photo).*

Wing Hing, 60036 Baton Bubble Stick, photographed by inventor on Apr. 2005. (i. e. the six packaged products labelled "Baton Bubbles").*

* cited by examiner

Primary Examiner—Catherine Tuttle

(74) *Attorney, Agent, or Firm*—Baker & McKenzie LLP

(57) **CLAIM**

The ornamental design for a bubble stick, as shown and described.

DESCRIPTION

FIG. 1 is a top perspective view of the bubble stick showing our new design;

FIG. 2 is a front elevation view of the bubble stick on a slightly reduced scale relative to FIG. 1, the opposing back view being identical;

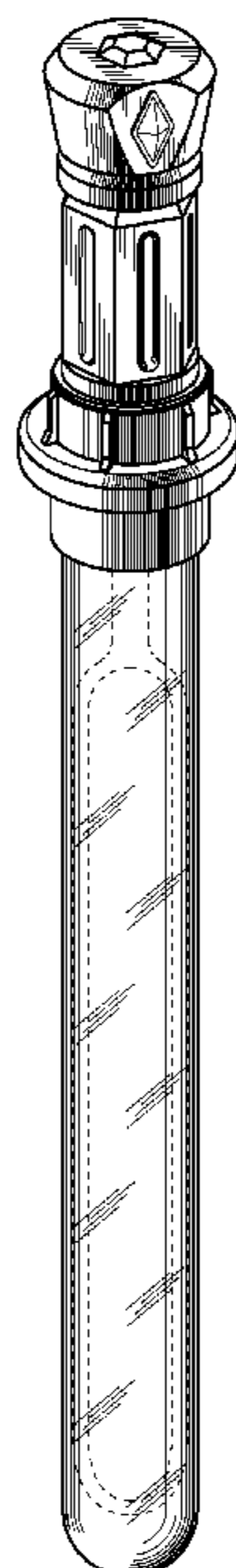
FIG. 3 is a side elevation view thereof, the opposing side view being identical;

FIG. 4 is a top plan view thereof; and,

FIG. 5 is a bottom plan view thereof.

The broken lines showing interior structure are for illustrative purposes and form no part of the claimed design.

1 Claim, 1 Drawing Sheet



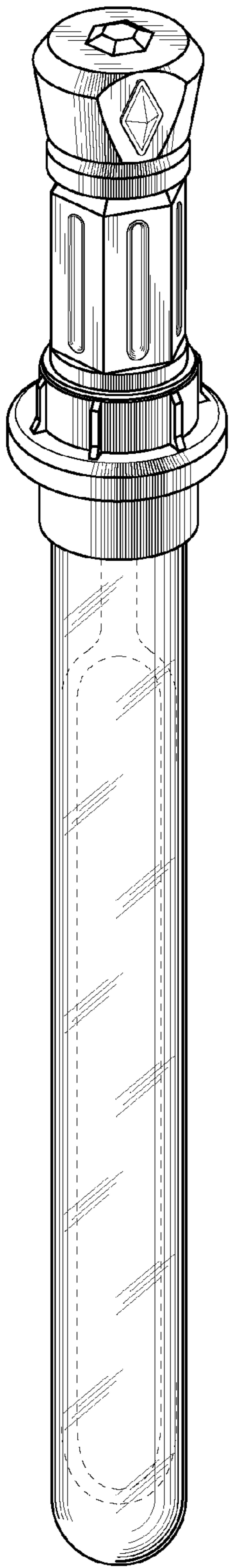


Fig.1

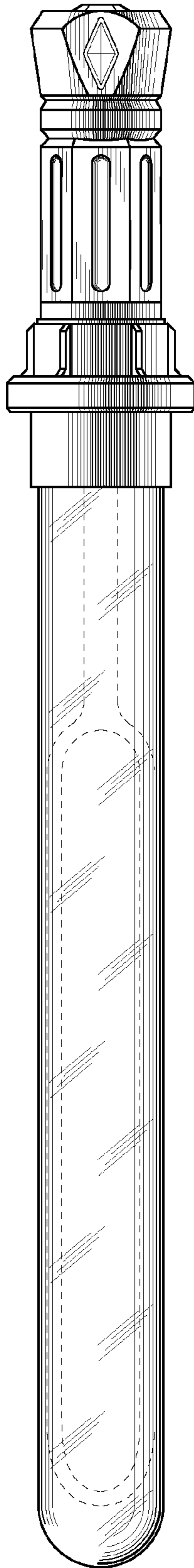


Fig.2

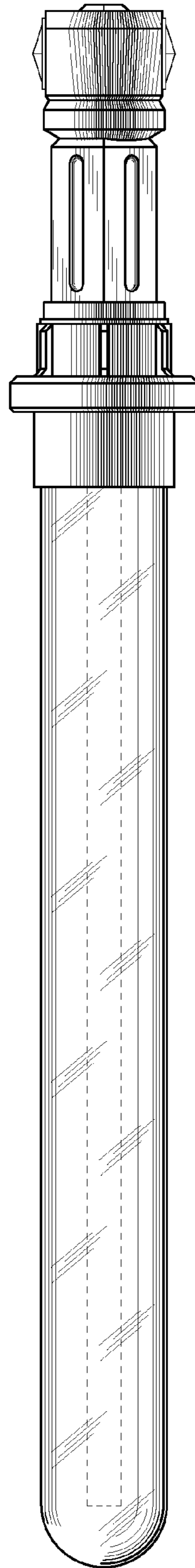


Fig.3

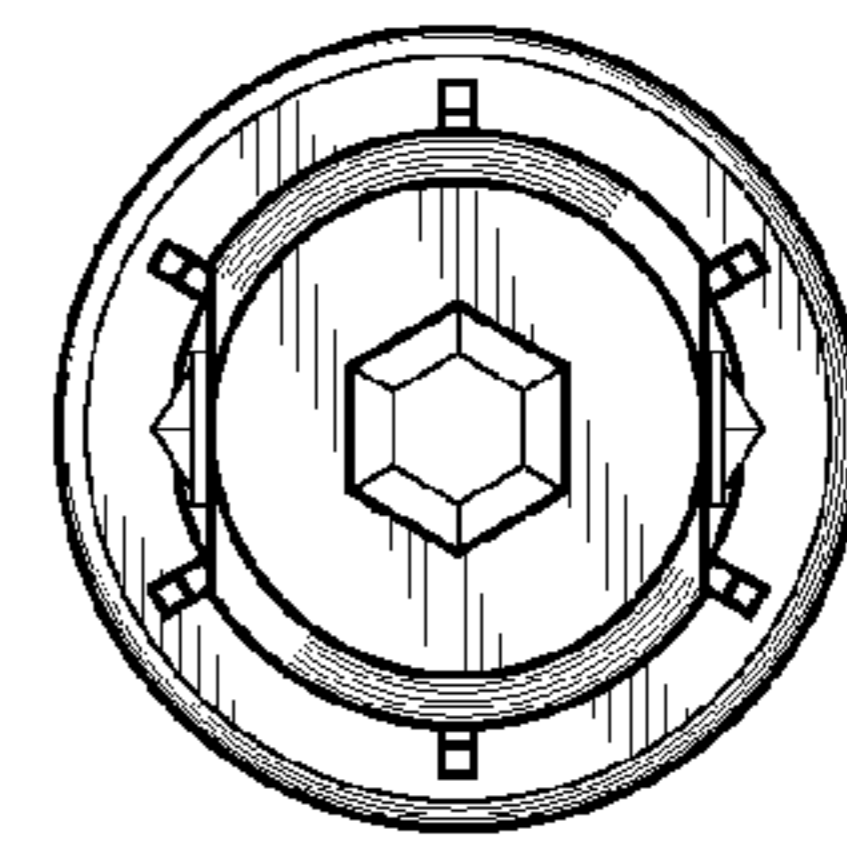


Fig.4

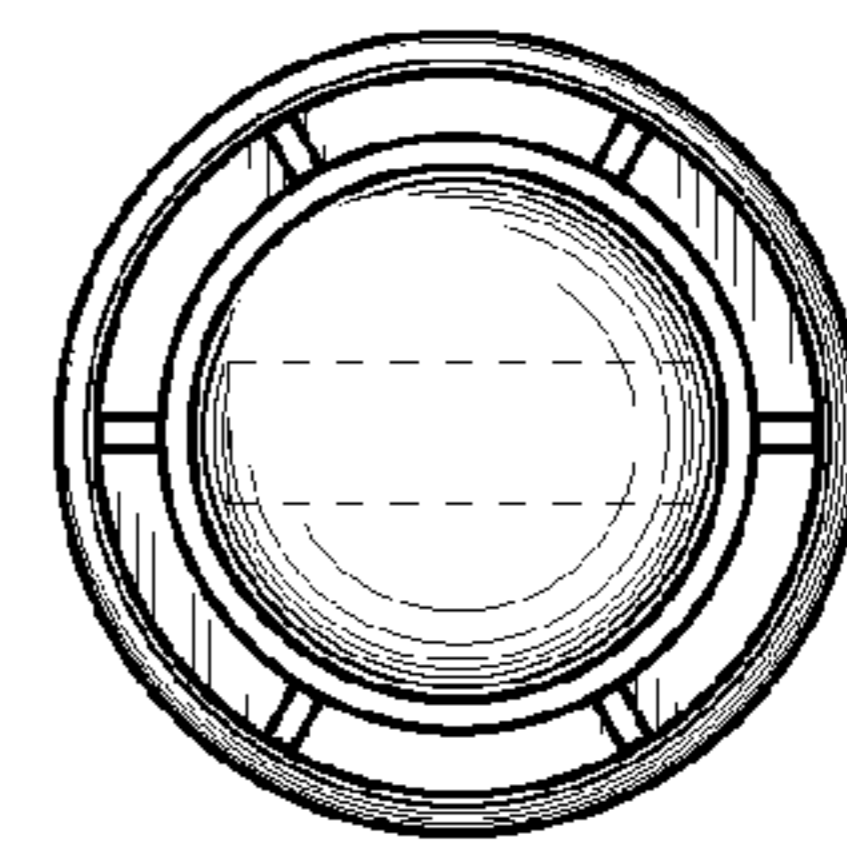


Fig.5