



US00D583876S

(12) **United States Design Patent**
Ashida et al.

(10) **Patent No.:** **US D583,876 S**
(45) **Date of Patent:** **** Dec. 30, 2008**

(54) **SENSOR BAR FOR ELECTRONIC GAME MACHINE**

(75) Inventors: **Kenichiro Ashida**, Kyoto (JP); **Junji Takamoto**, Kyoto (JP); **Yoshitomo Goto**, Kyoto (JP); **Masato Ibuki**, Kyoto (JP); **Shinji Yamamoto**, Kyoto (JP); **Fumiyoshi Suetake**, Kyoto (JP); **Akiko Suga**, Kyotot (JP)

(73) Assignee: **Nintendo Co., Ltd.**, Kyoto (JP)

(**) Term: **14 Years**

(21) Appl. No.: **29/268,254**

(22) Filed: **Nov. 2, 2006**

(30) **Foreign Application Priority Data**

May 2, 2006 (JP) 2006-011522

(51) **LOC (8) Cl.** **21-01**

(52) **U.S. Cl.** **D21/333; D21/324; D21/328**

(58) **Field of Classification Search** D21/324, D21/328, 333, 369, 385; D14/496, 432, D14/356; 273/148 B, 148 R; 463/1, 36, 463/37, 47, 46; 345/156; 250/208.1, 214 R, 250/215; 358/474, 509-514; 347/225, 226
See application file for complete search history.

(56) **References Cited**

U.S. PATENT DOCUMENTS

- 5,586,936 A * 12/1996 Bennett et al. 463/25
- D419,136 S * 1/2000 Tomizawa D13/147
- D429,769 S * 8/2000 Luciano et al. D21/333
- 6,217,177 B1 * 4/2001 Rost 359/843
- 6,287,193 B1 * 9/2001 Rehkemper et al. 463/1
- D451,153 S * 11/2001 Hedrick et al. D21/385
- 6,707,022 B2 * 3/2004 Perregaux 250/208.1

- 6,708,977 B2 * 3/2004 Jeon 273/448
- 7,164,506 B2 * 1/2007 TeWinkle 358/474
- 7,187,961 B2 * 3/2007 Yamashita et al. 600/310
- 7,286,894 B1 * 10/2007 Grant et al. 700/168
- 7,296,467 B2 * 11/2007 Kawamura et al. 73/504.12
- D564,034 S * 3/2008 Morrow et al. D21/333

* cited by examiner

Primary Examiner—Prabhakar Deshmukh

(74) *Attorney, Agent, or Firm*—Nixon & Vanderhye P.C.

(57) **CLAIM**

We claim the ornamental design for a sensor bar for electronic game machine, as shown and described.

DESCRIPTION

FIG. 1 is a front, top and right perspective view of a sensor bar for electronic game machine showing our new design;

FIG. 2 is a rear, bottom and left perspective view thereof;

FIG. 3 is a front view thereof;

FIG. 4 is a rear view thereof;

FIG. 5 is a top plan view thereof;

FIG. 6 is a bottom plan view thereof;

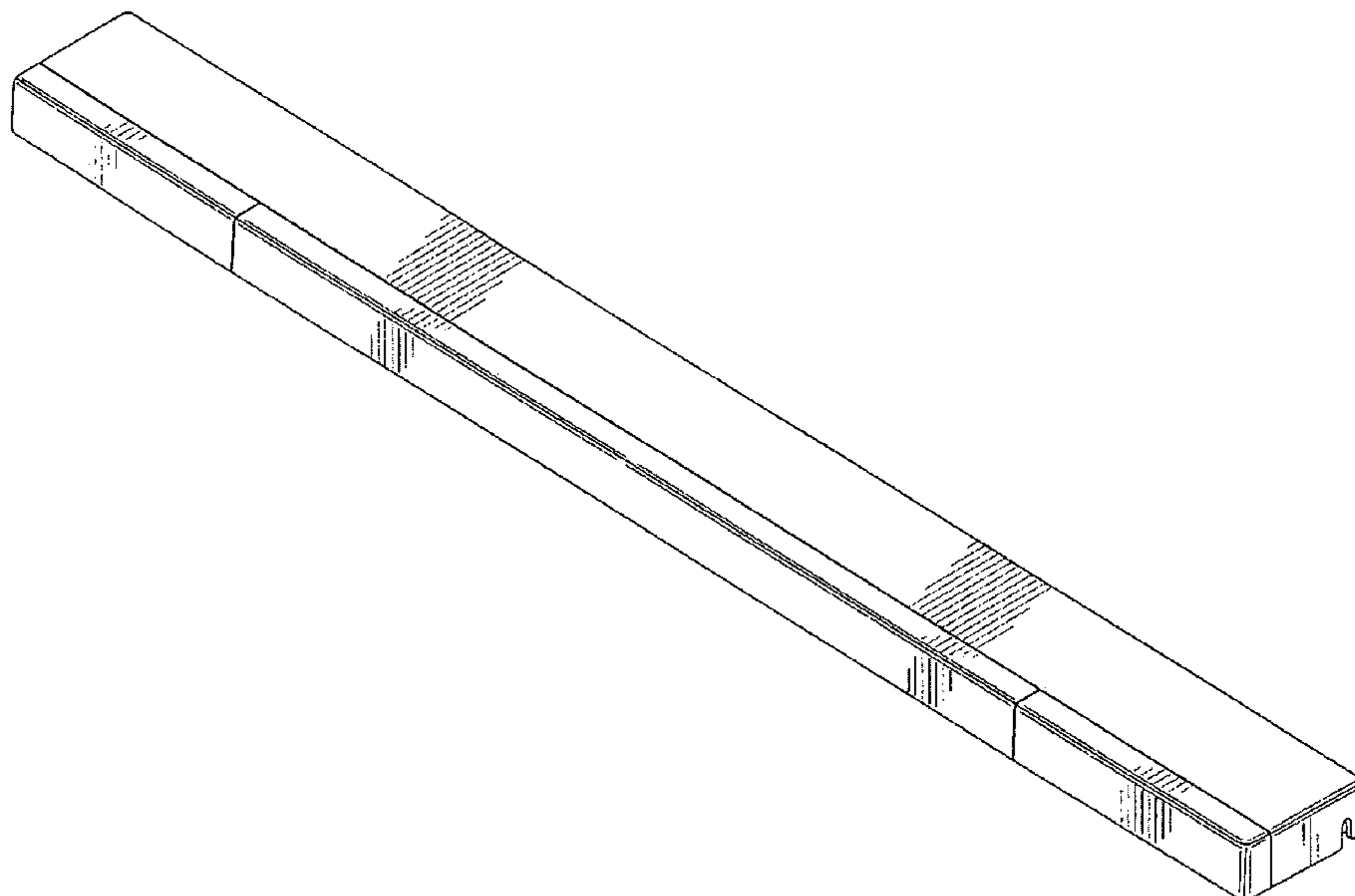
FIG. 7 is a right side view thereof, a left side view being a mirror image thereof;

FIG. 8 is a perspective view thereof, with the sensor bar shown in its use and located on the top of a television monitor; and,

FIG. 9 is a perspective view thereof, with the sensor bar shown in its alternative use and located in front of a television monitor.

The broken lines showing of television and cable are for illustrative purpose only and form no part of the claimed design.

1 Claim, 6 Drawing Sheets



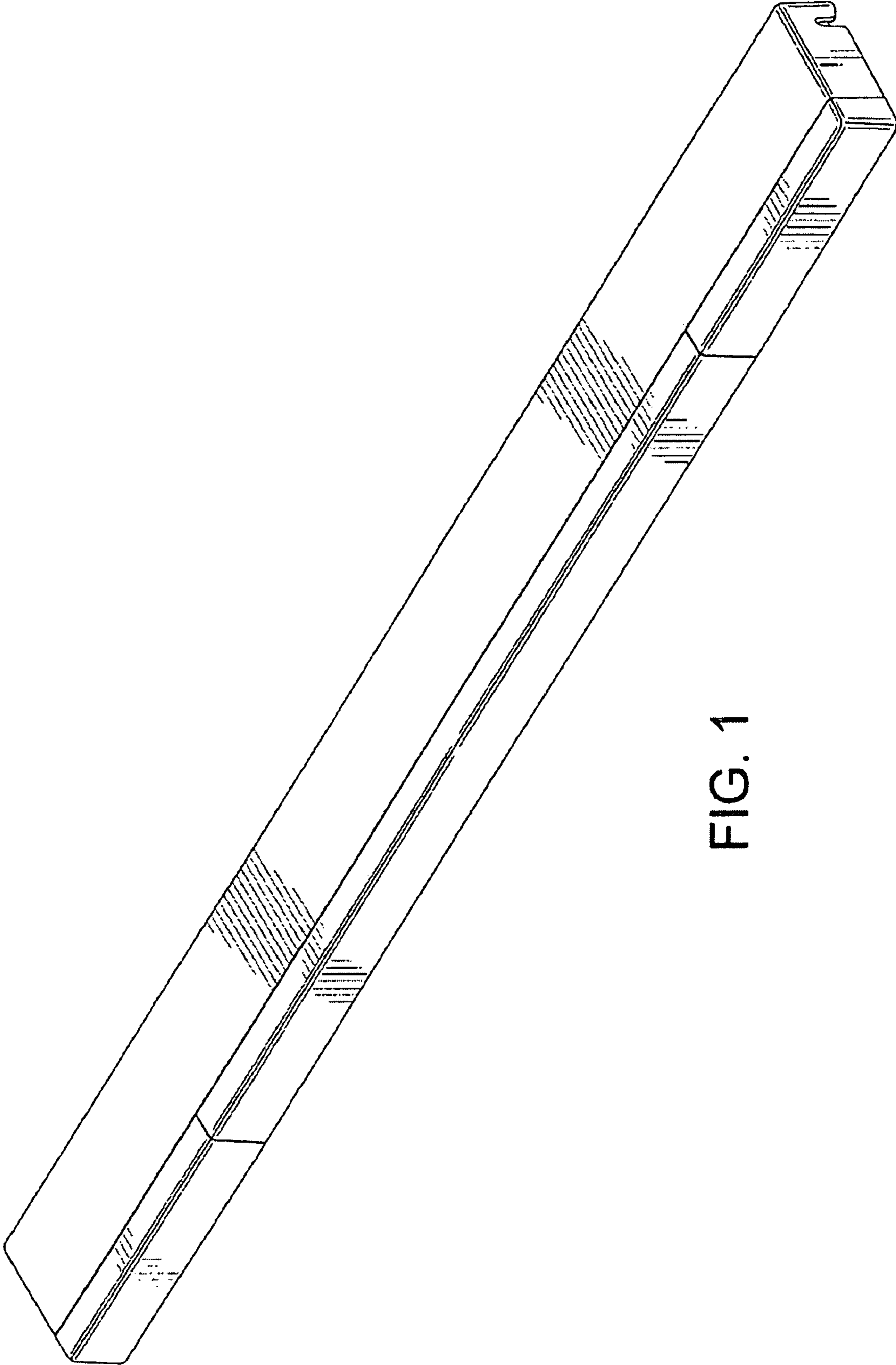


FIG. 1

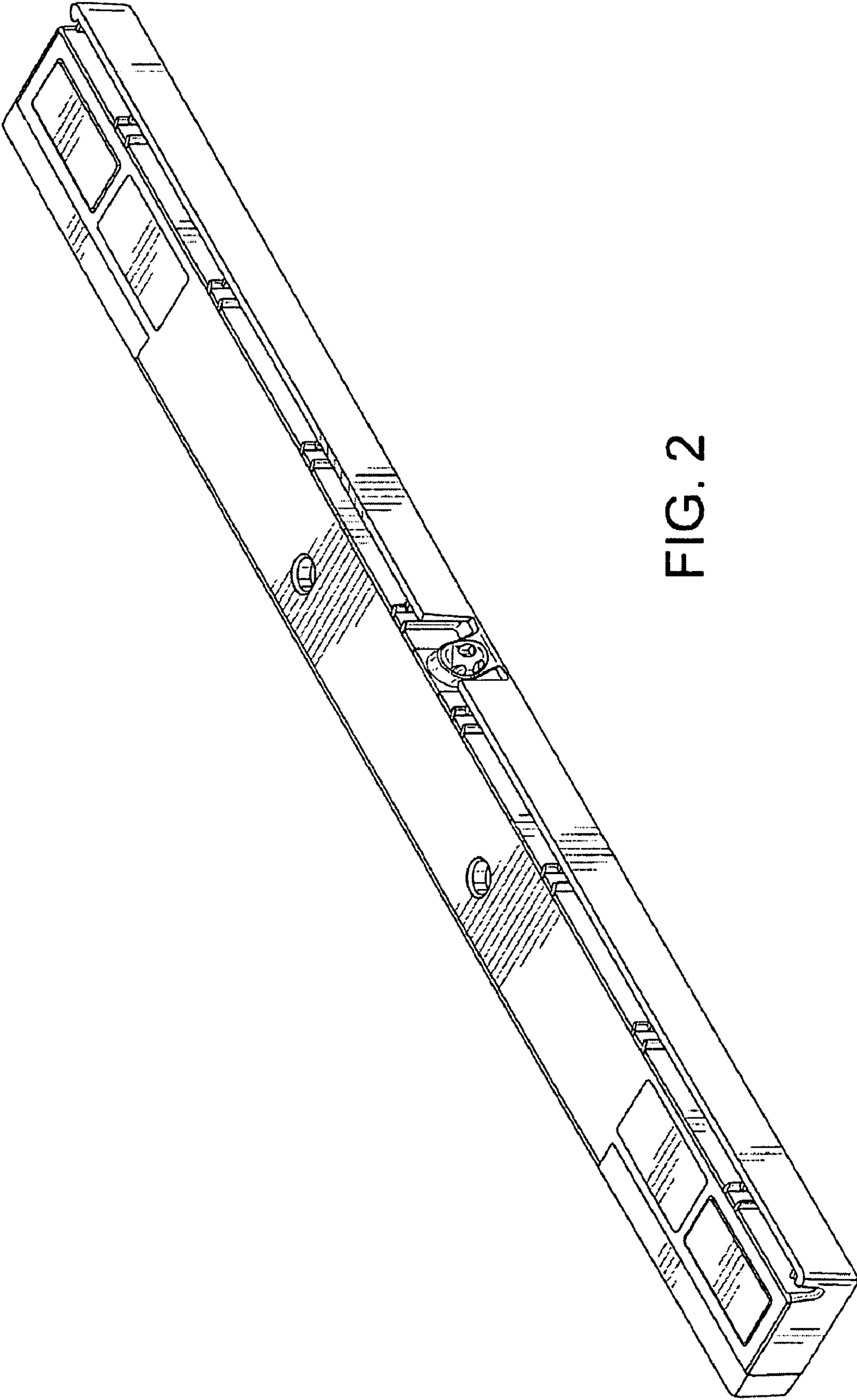


FIG. 2



FIG. 3



FIG. 4

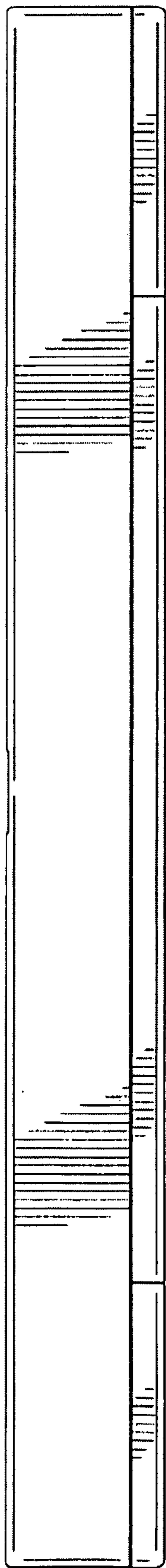


FIG. 5

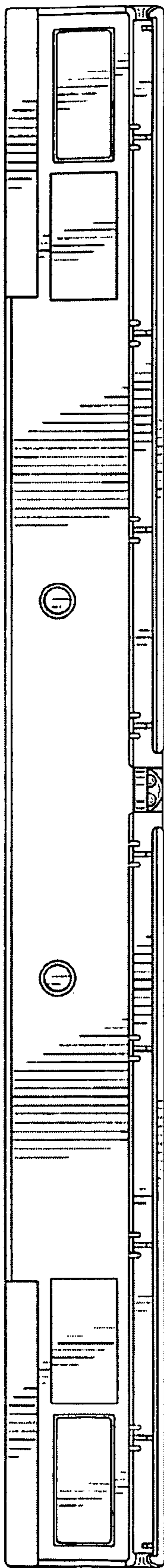


FIG. 6

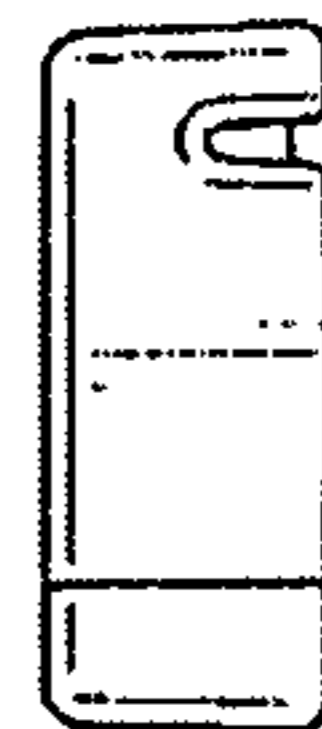


FIG. 7

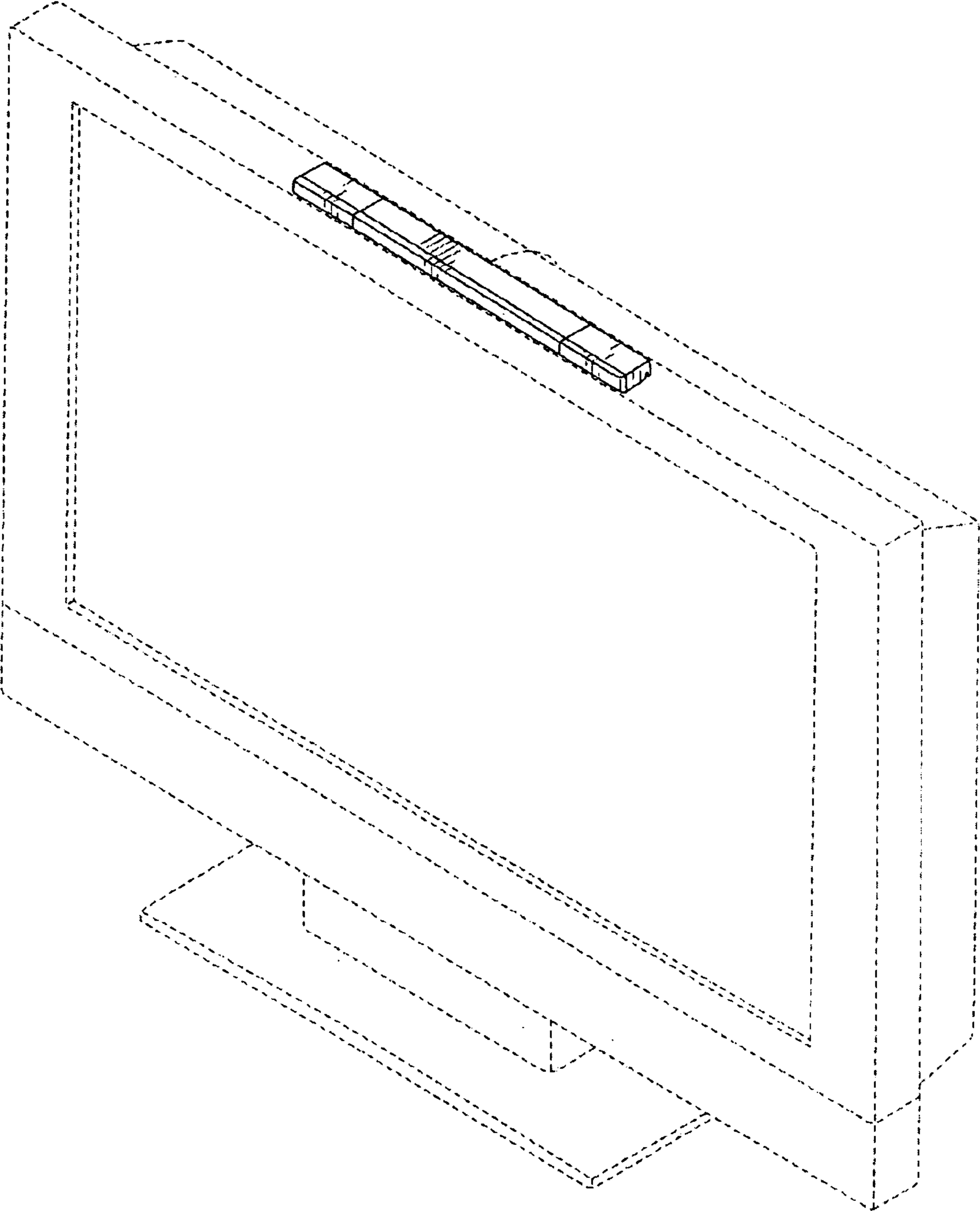


FIG. 8

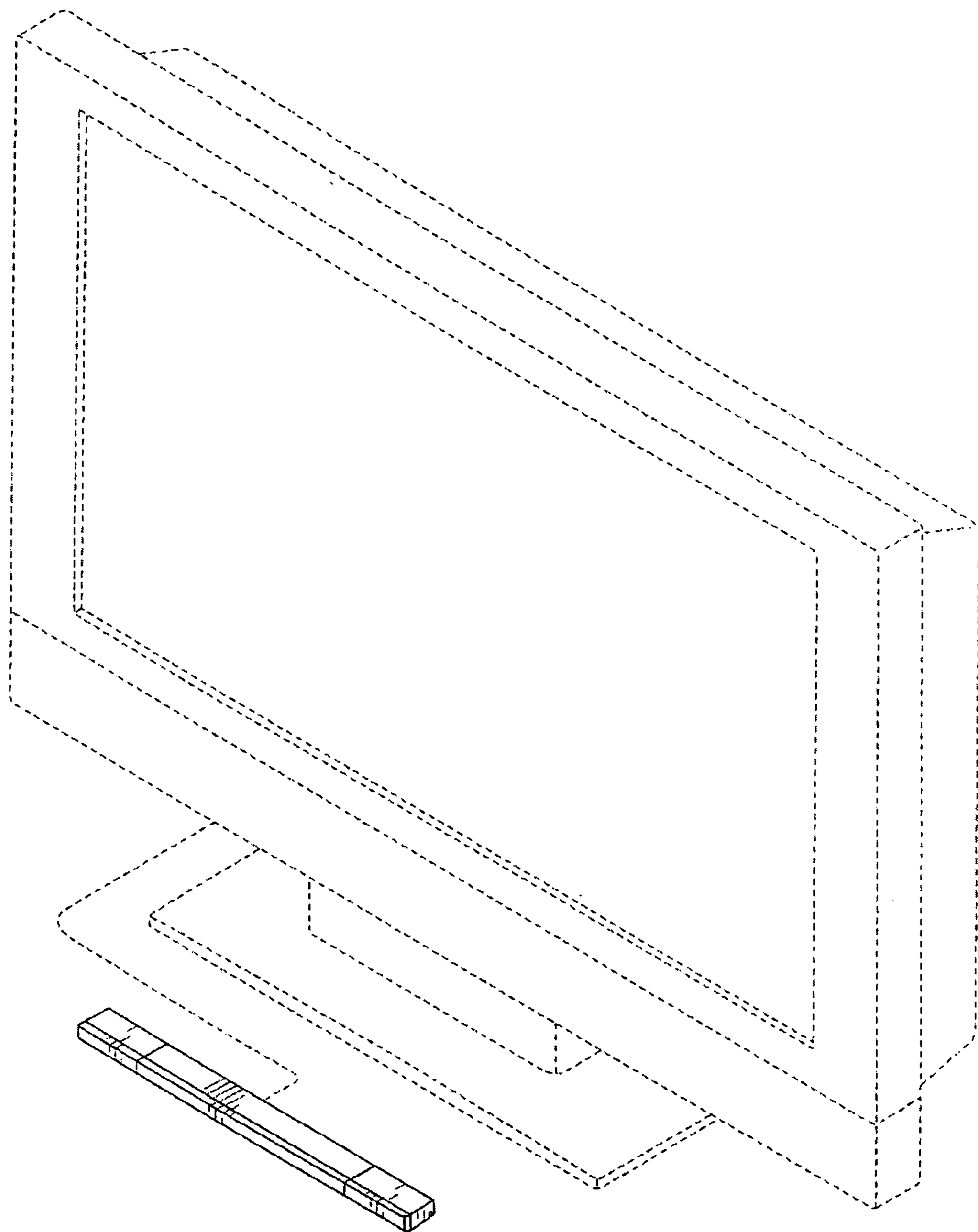


FIG. 9