



US00D583871S

(12) **United States Design Patent**
Zeyfang

(10) **Patent No.:** **US D583,871 S**
(45) **Date of Patent:** **** Dec. 30, 2008**

(54) **END CAP FOR INFORMATION TUBE**

(75) Inventor: **Frederick W. Zeyfang**, Erie, PA (US)

(73) Assignee: **Protective Industries, Inc.**, Buffalo, NY (US)

(**) Term: **14 Years**

(21) Appl. No.: **29/300,398**

(22) Filed: **Mar. 21, 2008**

(51) **LOC (8) Cl.** **19-02**

(52) **U.S. Cl.** **D19/89**

(58) **Field of Classification Search** D9/418;
D6/515; D3/302, 206; D20/99, 43, 42; D19/89,
D19/65; 40/634, 503; 248/220.41; 224/522,
224/796; 220/796, 694

See application file for complete search history.

(56) **References Cited**

U.S. PATENT DOCUMENTS

- 679,462 A * 7/1901 Kennedy et al. 40/503
- 1,841,266 A * 1/1932 Jones 40/634
- 2,235,870 A 3/1941 Dedmon
- 2,585,602 A * 2/1952 Turner 220/796
- 3,156,055 A 11/1964 Hennessy et al.
- 3,506,216 A * 4/1970 Delamater 406/188
- 4,254,888 A * 3/1981 Chandler 220/694
- 4,260,090 A 4/1981 Gross
- 4,334,373 A 6/1982 Bryan
- 4,574,504 A 3/1986 Holmer
- 4,889,268 A 12/1989 Shubeck
- 4,986,431 A 1/1991 McCarter
- D317,630 S * 6/1991 Allen et al. D20/42
- 5,102,020 A 4/1992 Walker et al.
- 5,288,000 A * 2/1994 Adamson 224/522
- 5,470,001 A * 11/1995 Konchan 224/673
- D365,952 S * 1/1996 Gagnon et al. D6/515
- D372,499 S 8/1996 Carlson et al.
- 5,645,203 A 7/1997 Tappenden
- D386,536 S 11/1997 Borgen
- D417,949 S * 12/1999 Fantinelli D3/206

- 6,298,590 B1 10/2001 Levinson
- 6,644,606 B1 * 11/2003 Seidel 248/220.41
- D515,143 S * 2/2006 Tigchelaar D20/99
- D527,252 S * 8/2006 Bolt et al. D9/418
- D540,394 S 4/2007 Simasko
- D543,591 S 5/2007 Simasko
- D551,862 S * 10/2007 Gerry D3/302
- D566,779 S * 4/2008 Simasko D20/43
- 2002/0040916 A1 4/2002 Hibbs
- 2004/0079015 A1 4/2004 Tuttle
- 2007/0107287 A1 5/2007 Huang

OTHER PUBLICATIONS

Cartube Information Tube, www.cartube.com.

* cited by examiner

Primary Examiner—Cathron Brooks
Assistant Examiner—Austin Murphy

(57) **CLAIM**

The ornamental design for an end cap for information tube, as shown and described.

DESCRIPTION

FIG. 1 is a perspective view of an end cap for information tube showing my new design;

FIG. 2 is a side view of the end cap for information tube;

FIG. 3 is an opposite side view of the end cap for information tube;

FIG. 4 is a top view of the end cap for information tube;

FIG. 5 is a bottom view of the end cap for information tube;

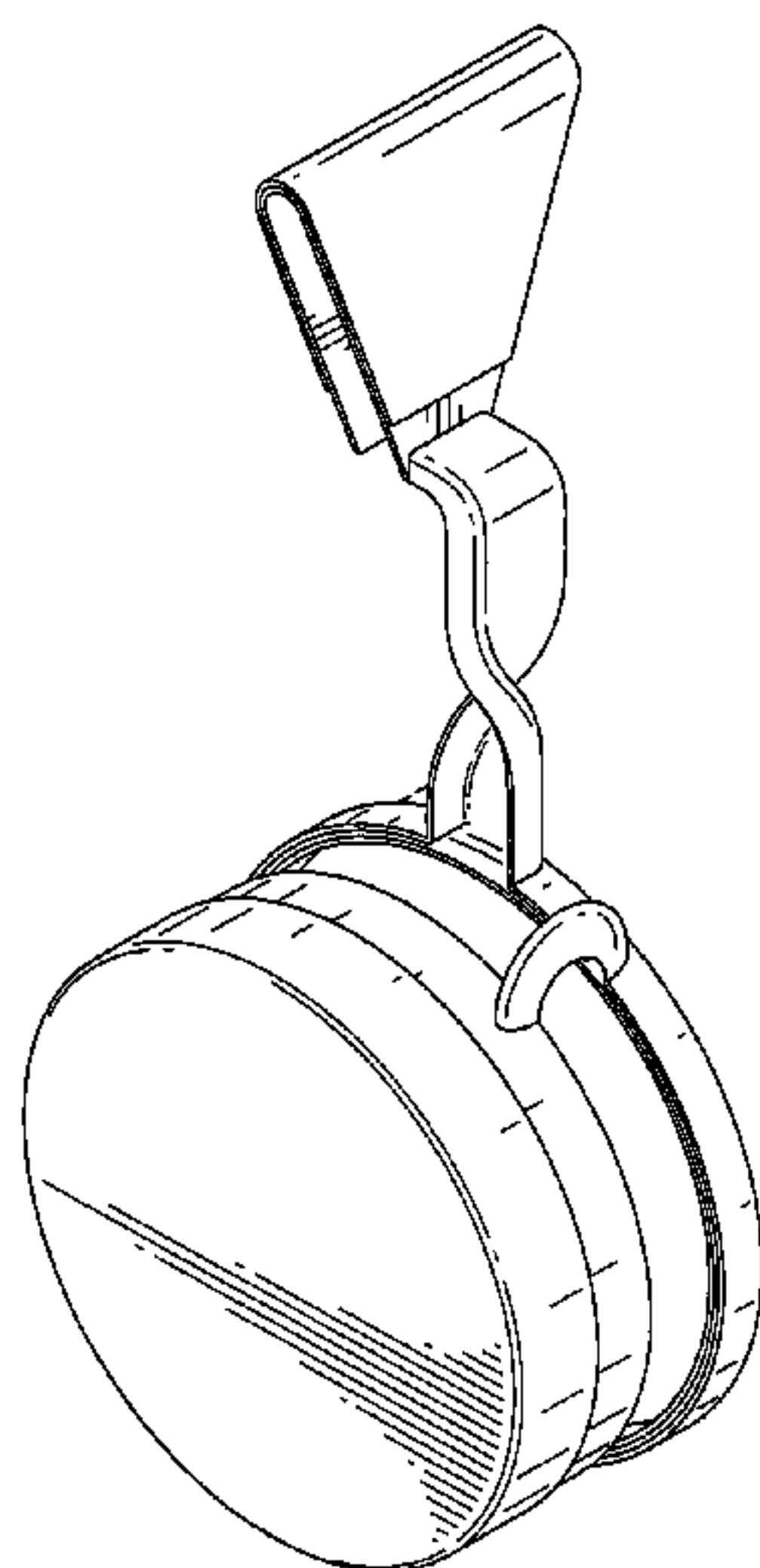
FIG. 6 is a front view of the end cap for information tube;

FIG. 7 is a rear view of the end cap for information tube; and,

FIG. 8 is a perspective view of the end cap attached to an information tube and opposing end cap shown in broken lines.

The broken lines shown in FIG. 8 form no part of the claimed design.

1 Claim, 7 Drawing Sheets



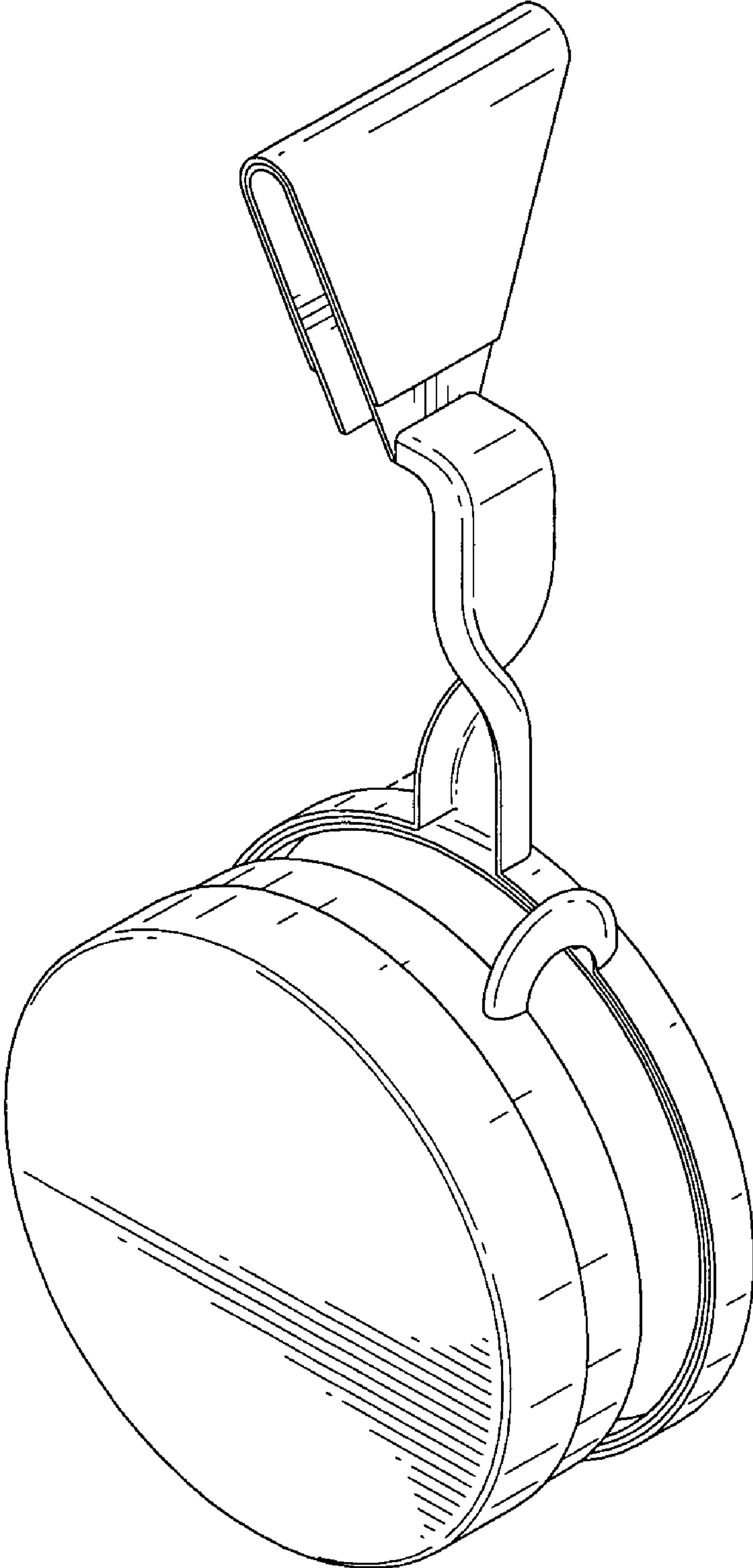


FIG. 1

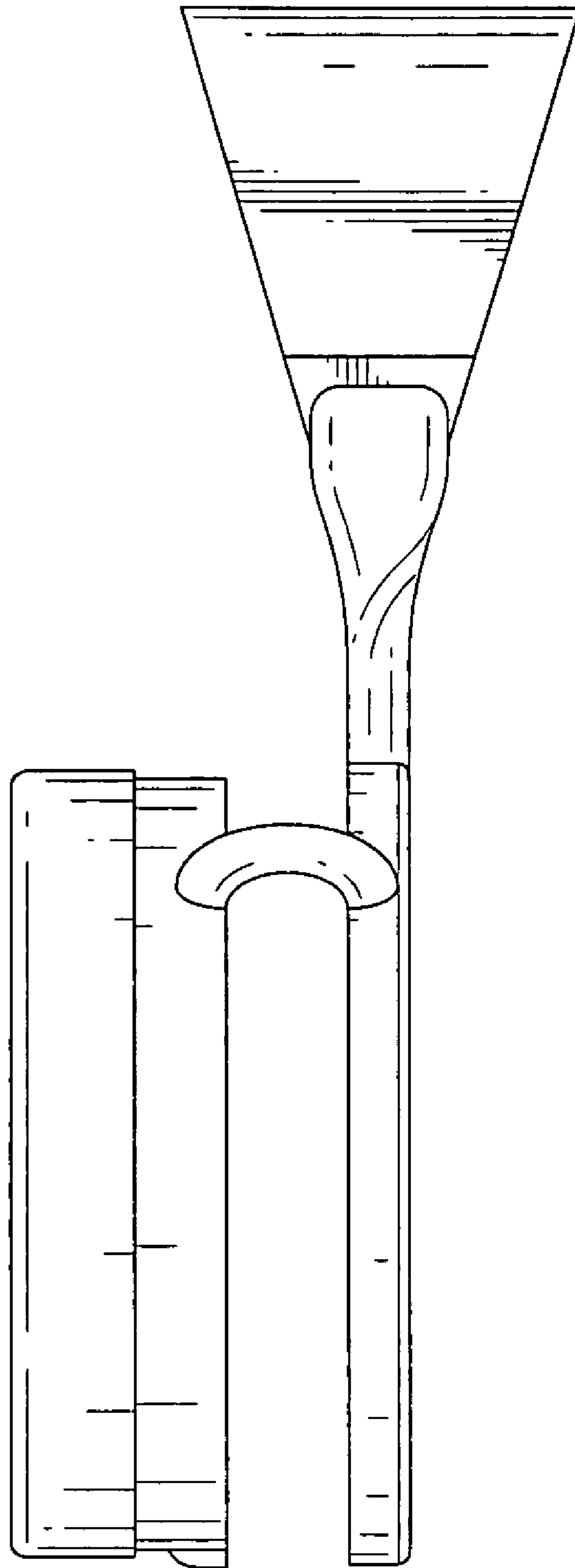


FIG. 2

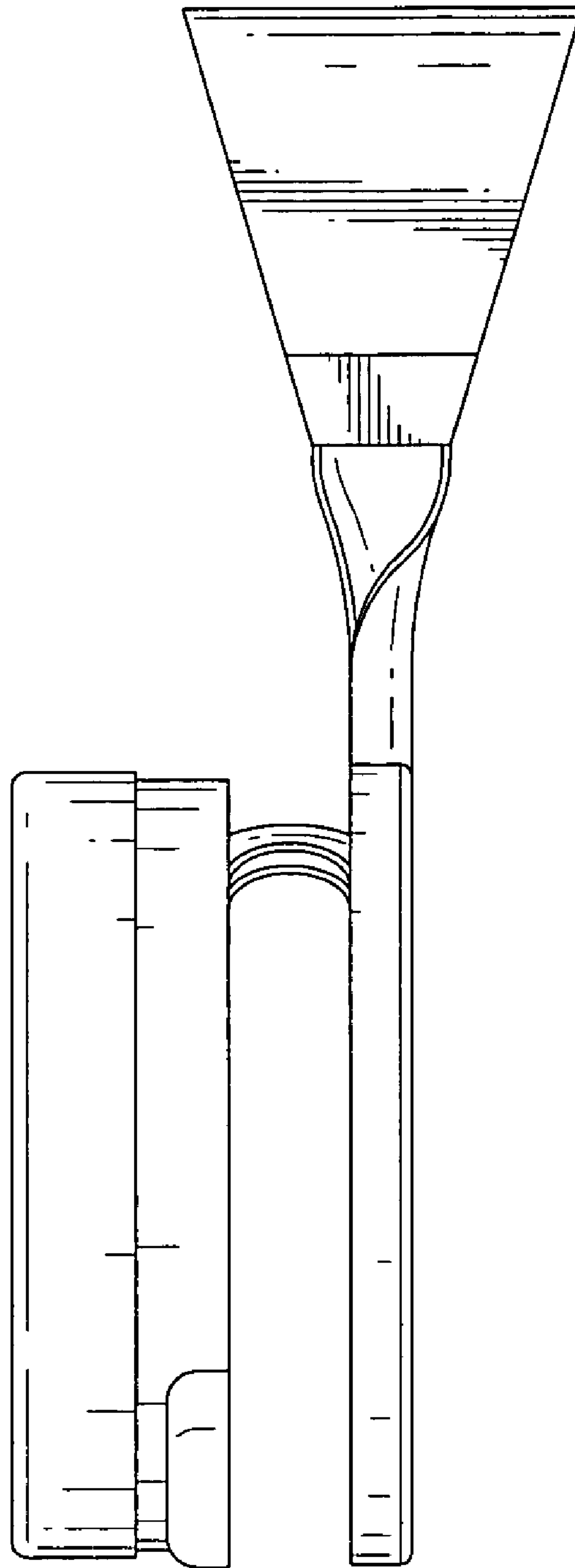


FIG.3

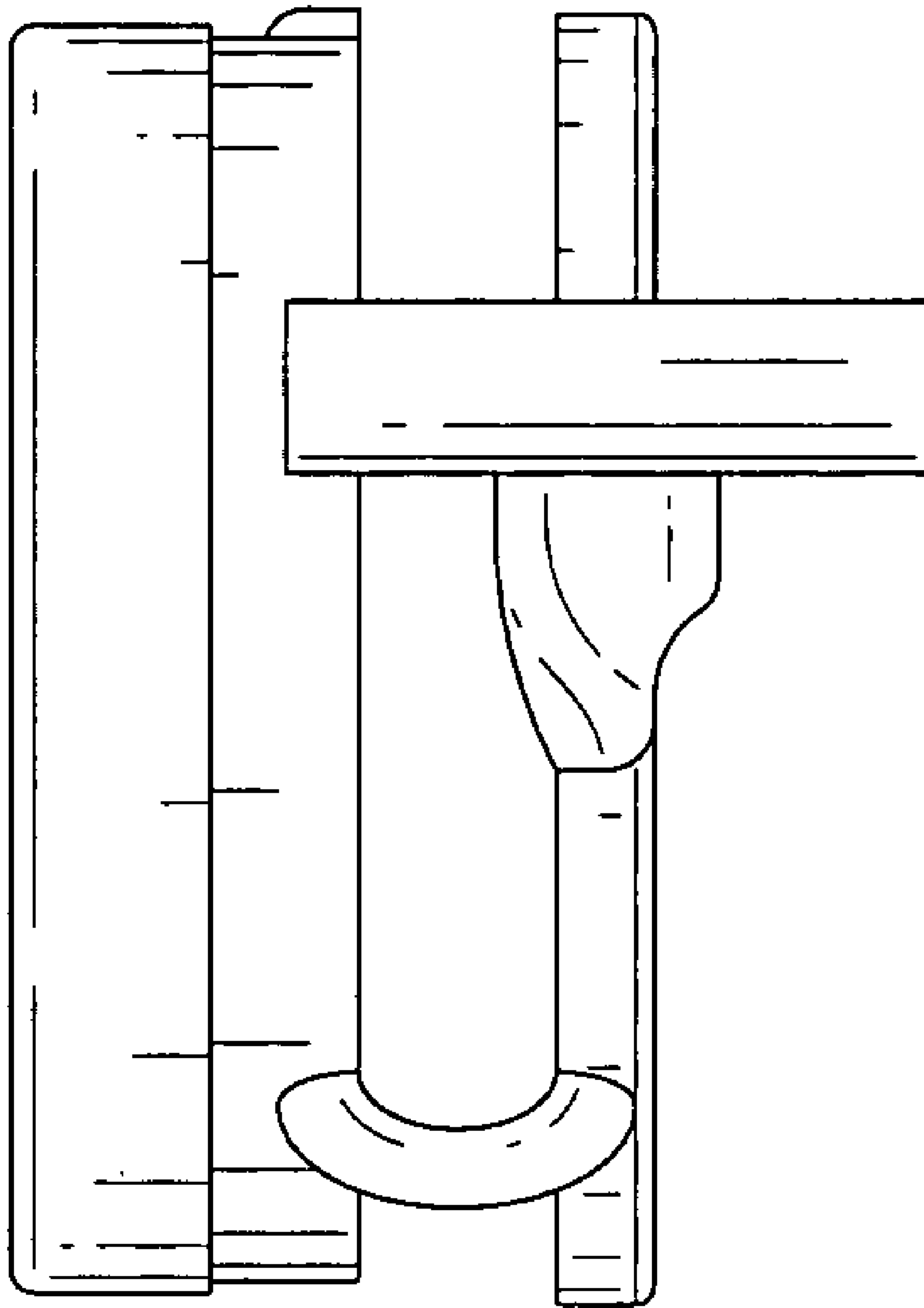


FIG. 4

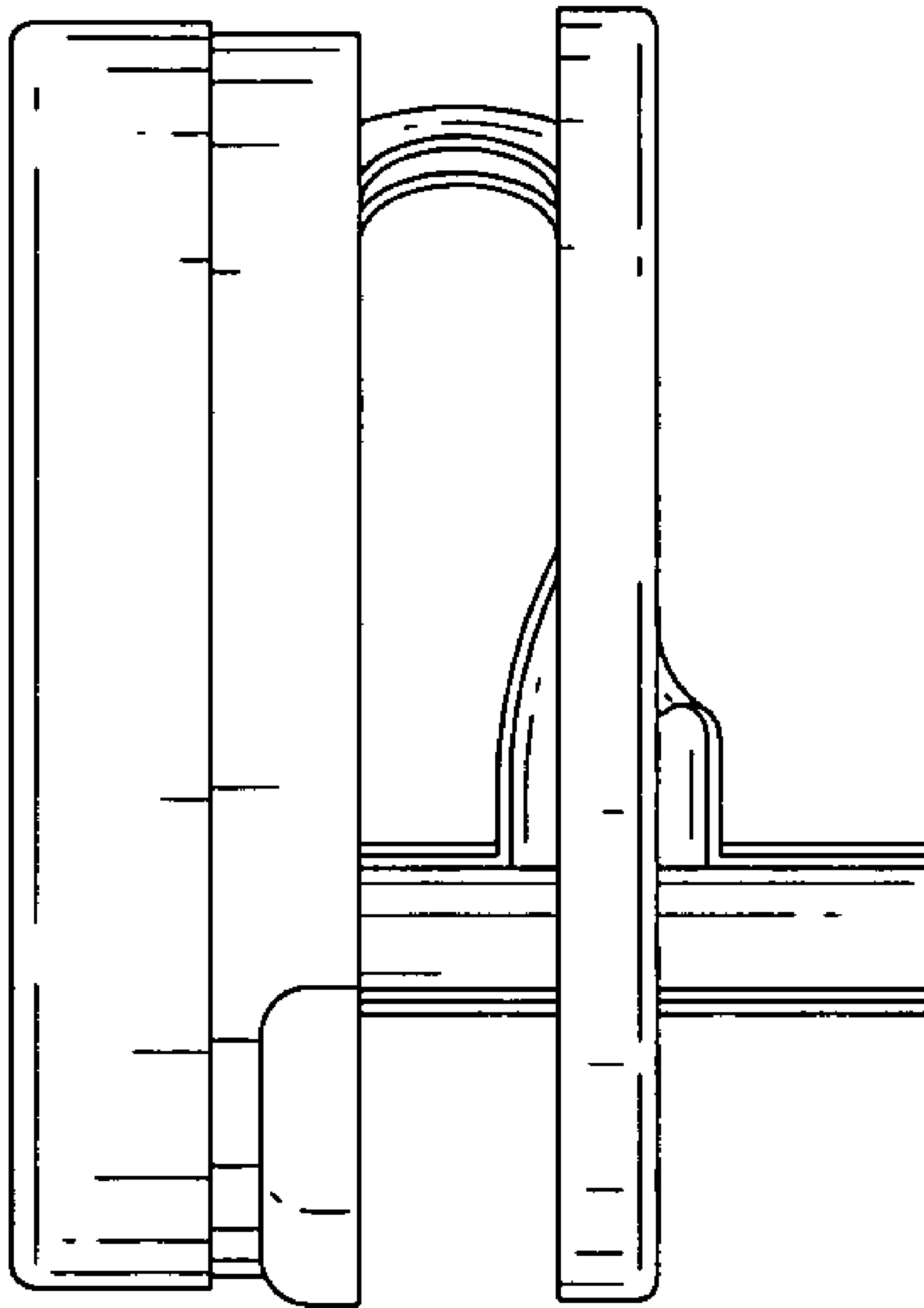


FIG. 5

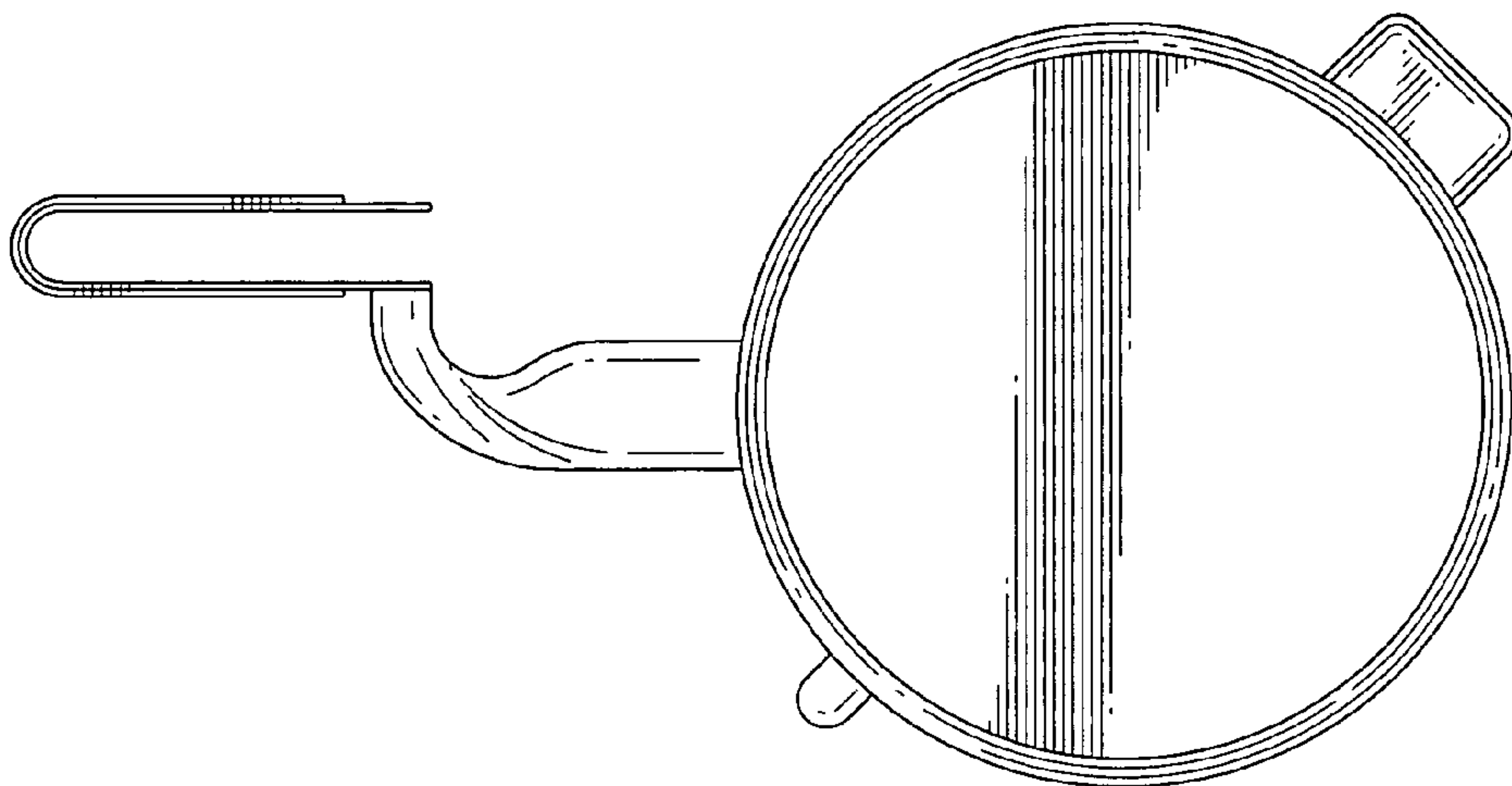


FIG. 6

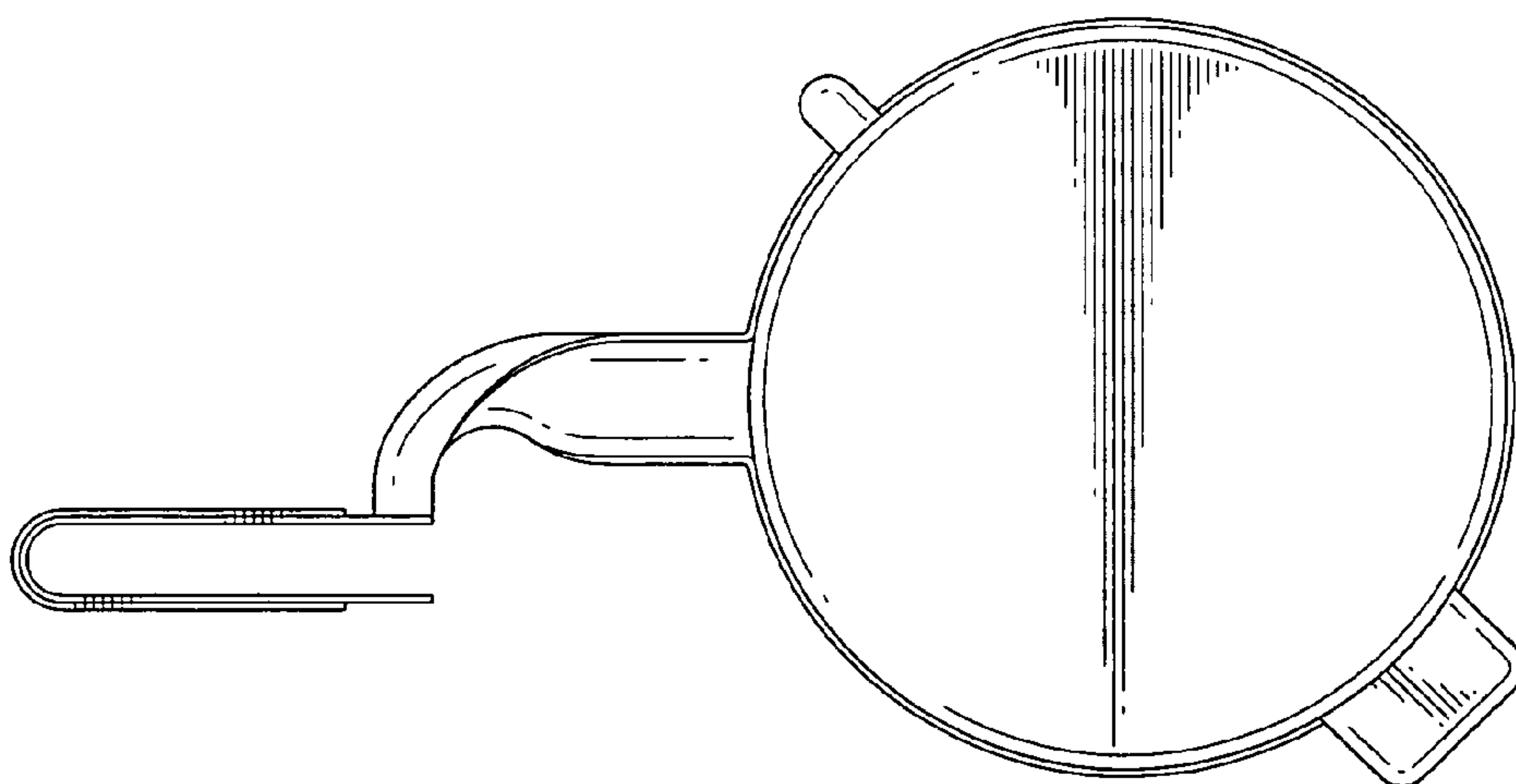


FIG. 7

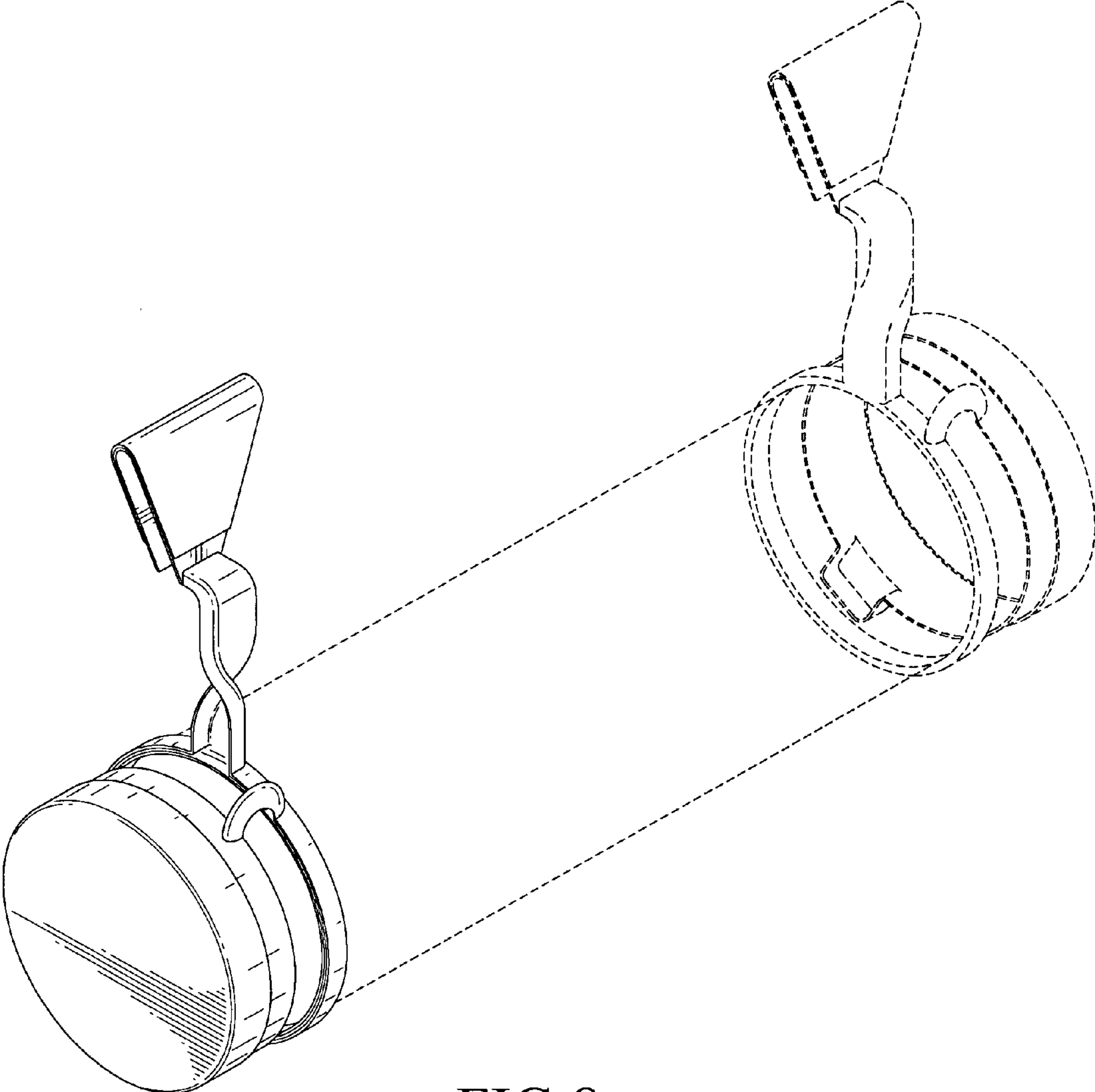


FIG.8