



US00D583870S

(12) **United States Design Patent**  
**Allen et al.**

(10) **Patent No.:** **US D583,870 S**

(45) **Date of Patent:** **\*\* Dec. 30, 2008**

(54) **TELESCOPING WRITING IMPLEMENT STORAGE CASE**

(75) Inventors: **James William Allen**, Nazareth, PA (US); **Robert Henry**, Bethlehem, PA (US); **Pam Dozier**, Doylestown, PA (US); **Cara Skrips**, Blairstown, NJ (US)

(73) Assignee: **Crayola, LLC**, Easton, PA (US)

(\*\*) Term: **14 Years**

(21) Appl. No.: **29/304,315**

(22) Filed: **Feb. 28, 2008**

(51) **LOC (8) Cl.** ..... **19-06**

(52) **U.S. Cl.** ..... **D19/85; D3/206**

(58) **Field of Classification Search** ..... D3/206, D3/273, 276, 283, 294, 313, 315, 316, 319; D7/608; D9/737, 772, 779, 780; D19/75, D19/77-85; 206/1.7, 214, 224, 371  
See application file for complete search history.

(56) **References Cited**

**U.S. PATENT DOCUMENTS**

226,645	A *	4/1880	Albaugh	.....	211/129.1
2,496,758	A *	2/1950	Tingley	.....	47/41.13
3,052,368	A *	9/1962	Atkins et al.	.....	215/6
3,397,804	A *	8/1968	Davis	.....	220/506
3,428,380	A *	2/1969	Danjczek	.....	312/31
3,834,409	A *	9/1974	Kuparinen	.....	134/117
D241,818	S *	10/1976	Hejna	.....	D9/737
4,245,685	A *	1/1981	Nemitz et al.	.....	220/780
4,289,249	A *	9/1981	Cripe	.....	220/528
D279,950	S *	8/1985	Wan	.....	D7/640
4,534,474	A *	8/1985	Ng	.....	211/70
D282,233	S *	1/1986	Kelley	.....	D7/553.6
4,819,794	A *	4/1989	Silverstein et al.	.....	206/225
D320,413	S *	10/1991	Dietterich et al.	.....	D19/85

D321,318	S *	11/1991	Gunter	.....	D9/780
D328,472	S *	8/1992	Ancona et al.	.....	D19/77
5,190,151	A *	3/1993	Dietterich	.....	206/214
5,441,163	A *	8/1995	Carrasco	.....	220/23.86
D396,749	S *	8/1998	Ortiz	.....	D3/284
D418,947	S *	1/2000	Greiner	.....	D19/77
6,942,109	B2 *	9/2005	Aros et al.	.....	211/58
D511,546	S *	11/2005	Trombly	.....	D19/77

\* cited by examiner

*Primary Examiner*—Elizabeth A Albert

(74) *Attorney, Agent, or Firm*—Shook, Hardy & Bacon, LLP.

(57) **CLAIM**

The ornamental design for a telescoping writing implement storage case, as shown and described.

**DESCRIPTION**

FIG. 1 is a perspective view of a telescoping writing implement storage case in an expanded state showing the new design;

FIG. 2 is a right side elevational view thereof, a left side elevational view thereof being a mirror image of the right side elevational view;

FIG. 3 is a front elevational view thereof, a rear elevational view thereof being a mirror image of the front elevational view;

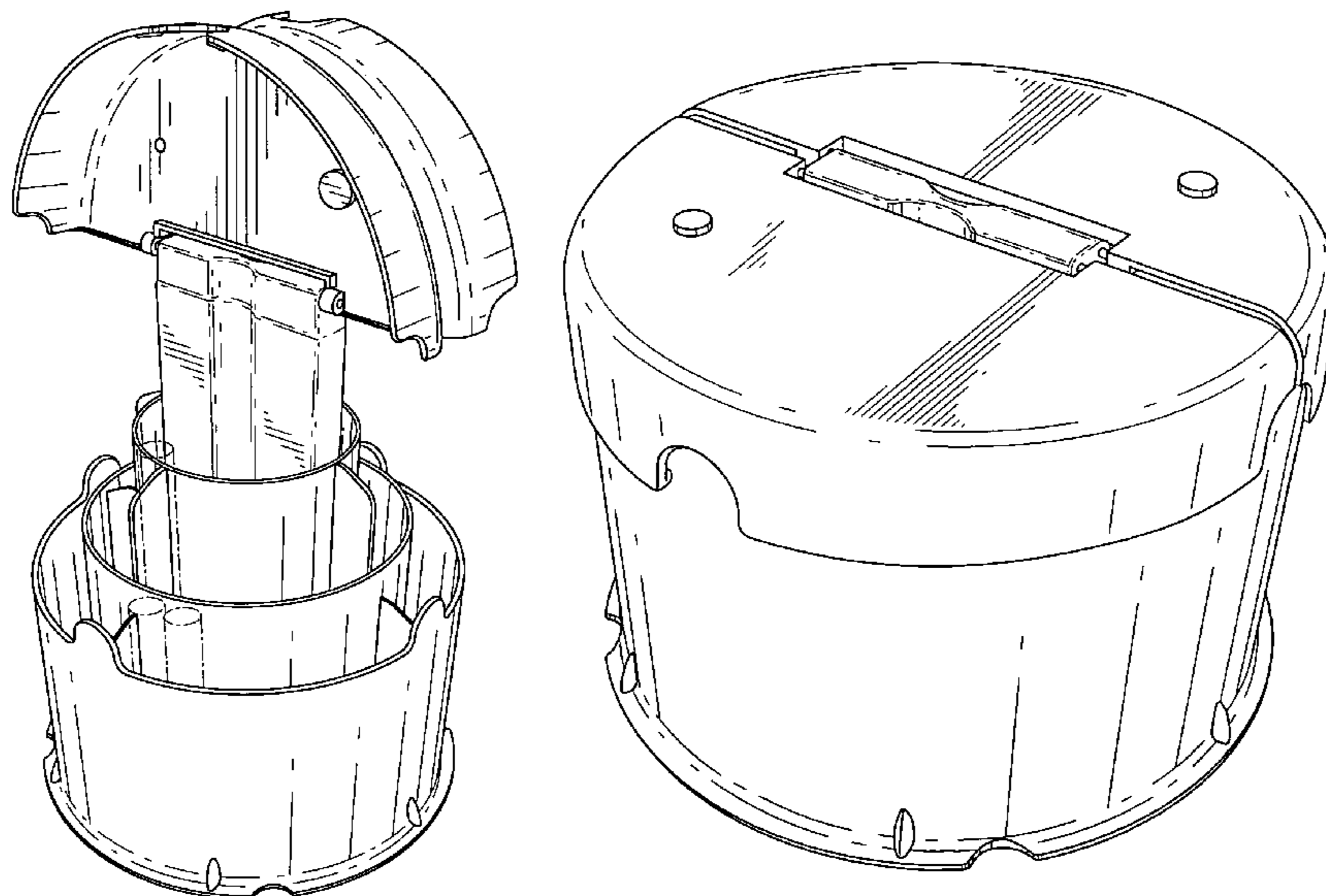
FIG. 4 is a top plan view thereof;

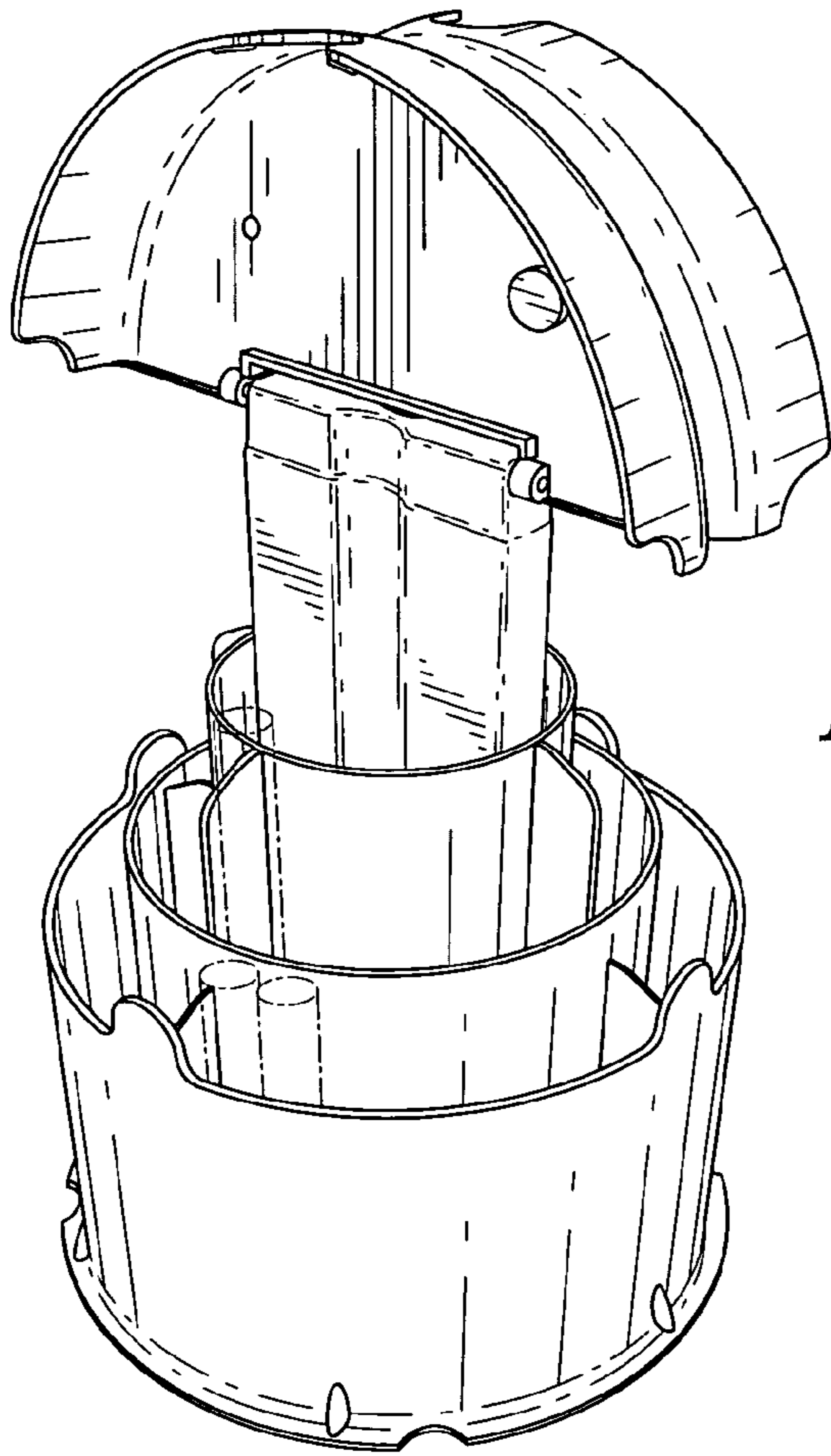
FIG. 5 is a bottom plan view thereof; and,

FIG. 6 is a perspective view of a telescoping writing implement storage case in non-expanded state showing the new design.

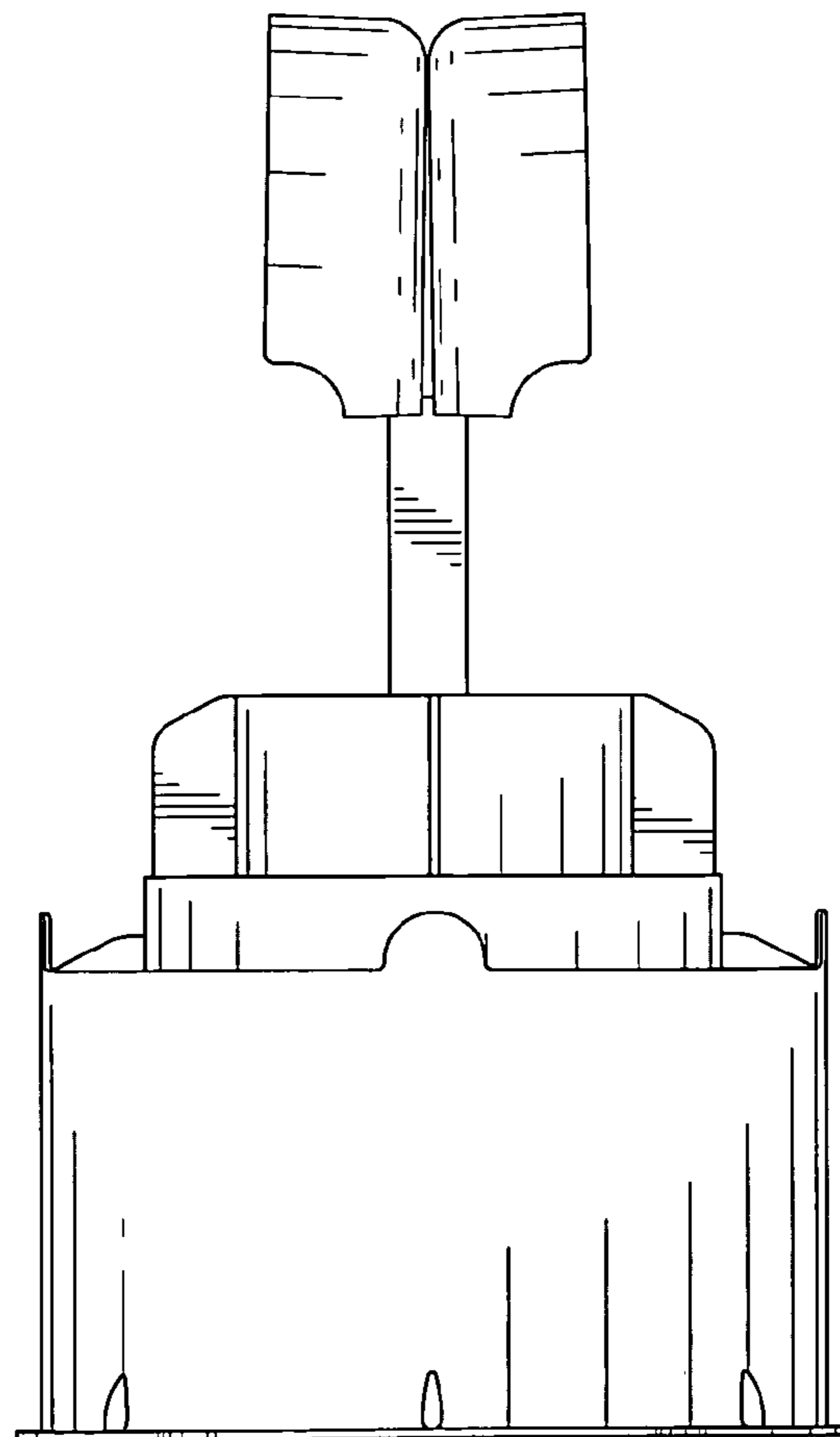
The broken lines showing writing implements in FIG. 1 and the bottom in FIG. 4 are included for the purpose of illustrating environment and form no part of the claimed design.

**1 Claim, 3 Drawing Sheets**

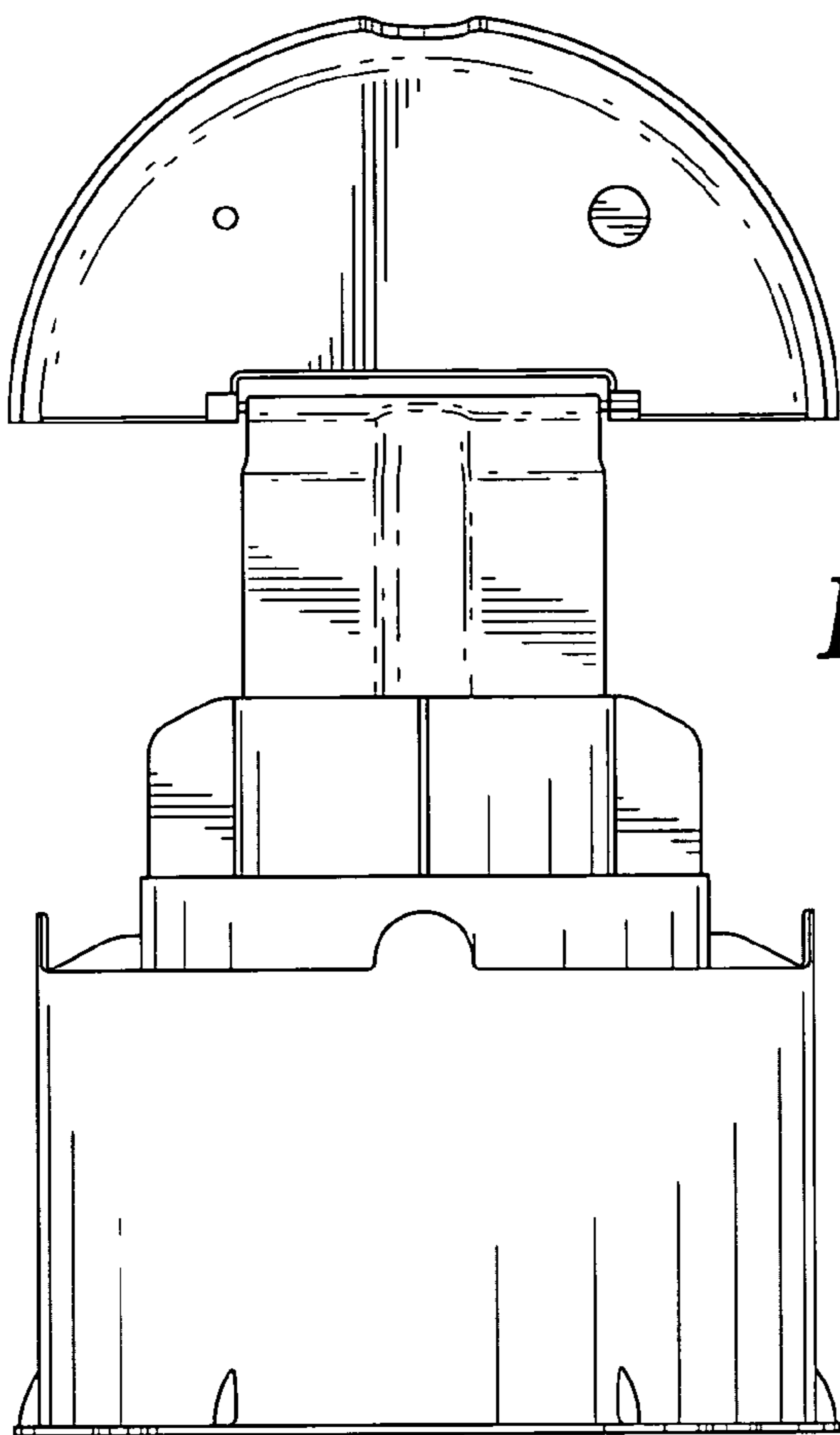




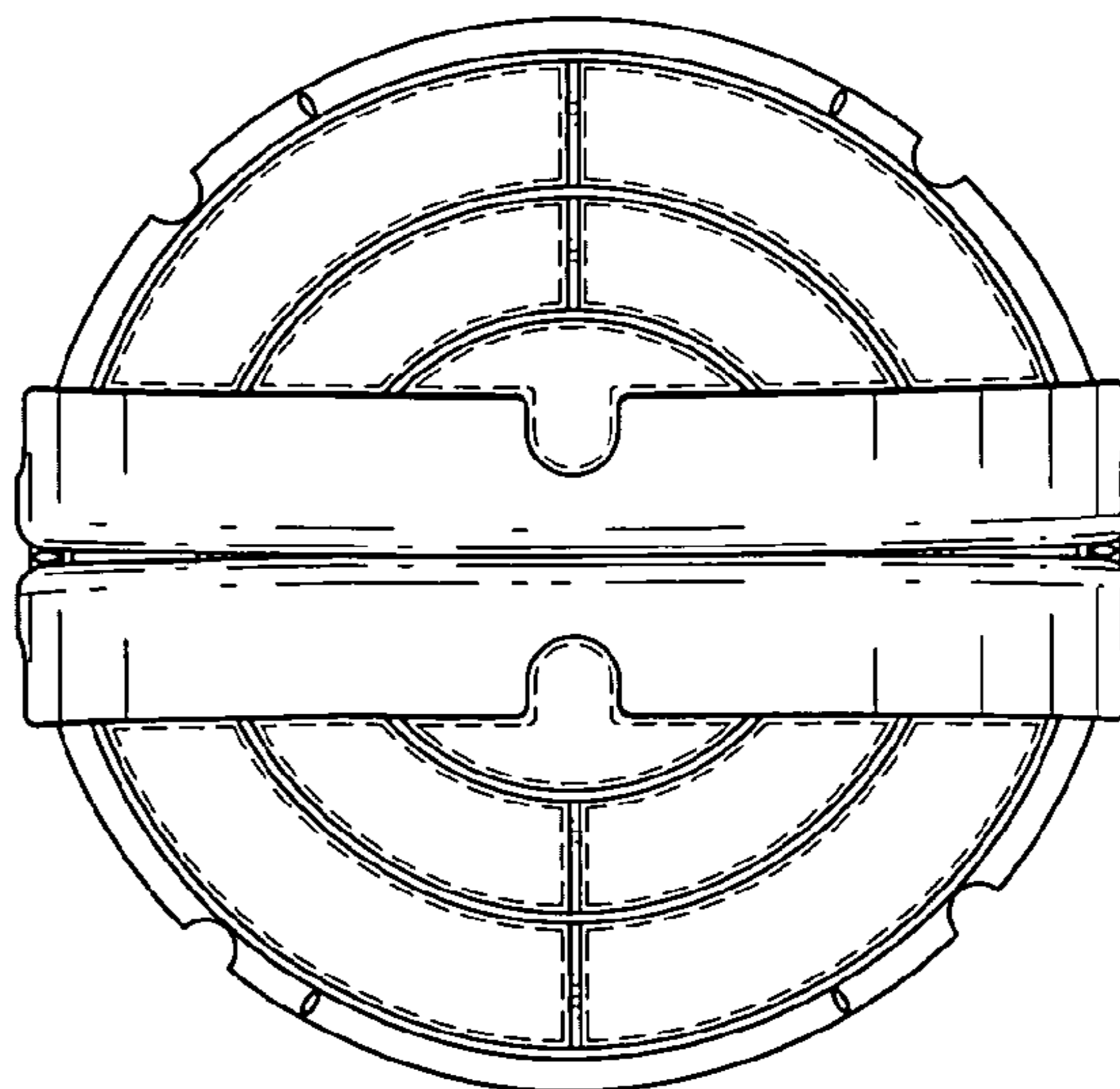
*FIG. 1.*



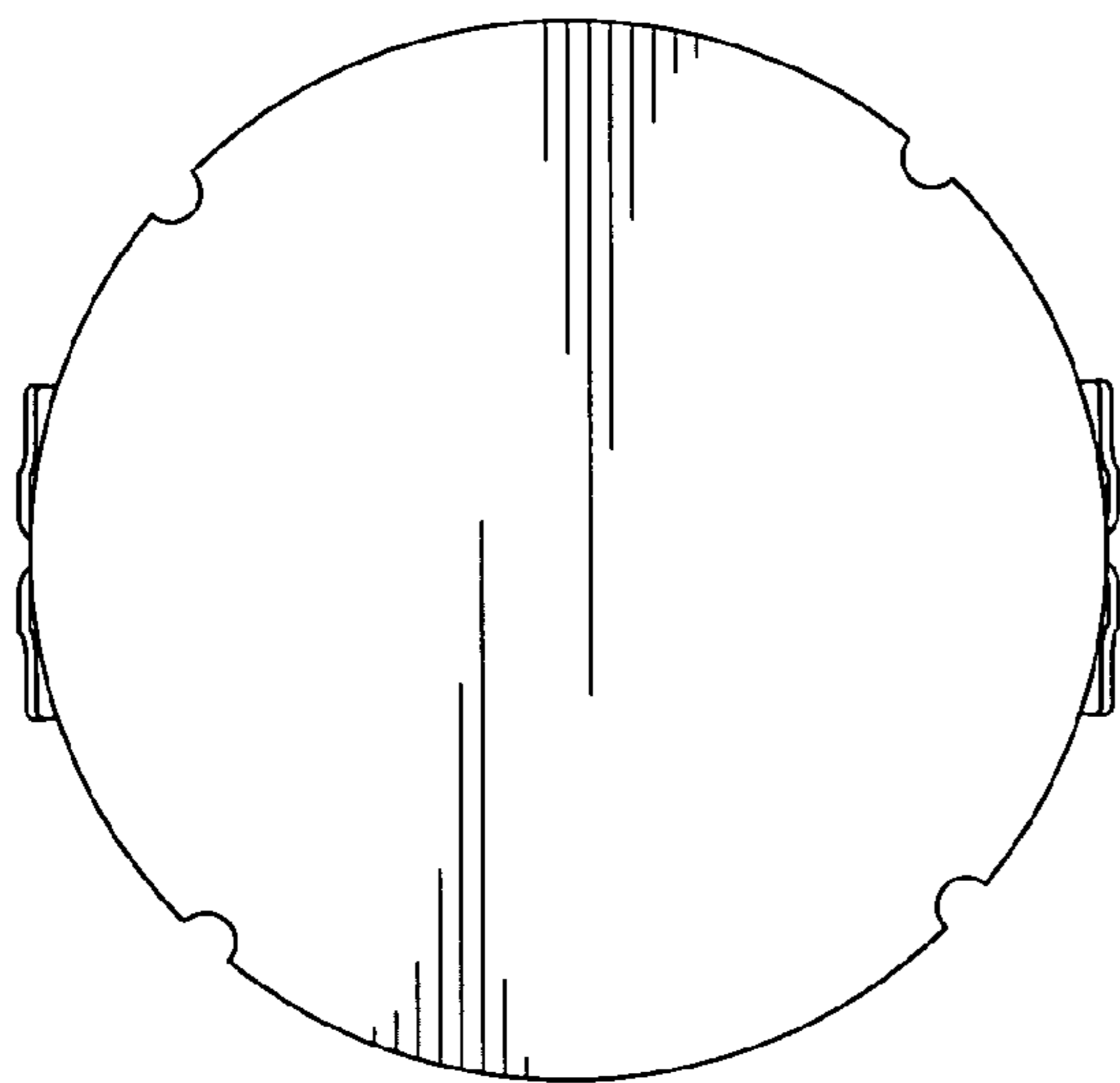
*FIG. 2.*



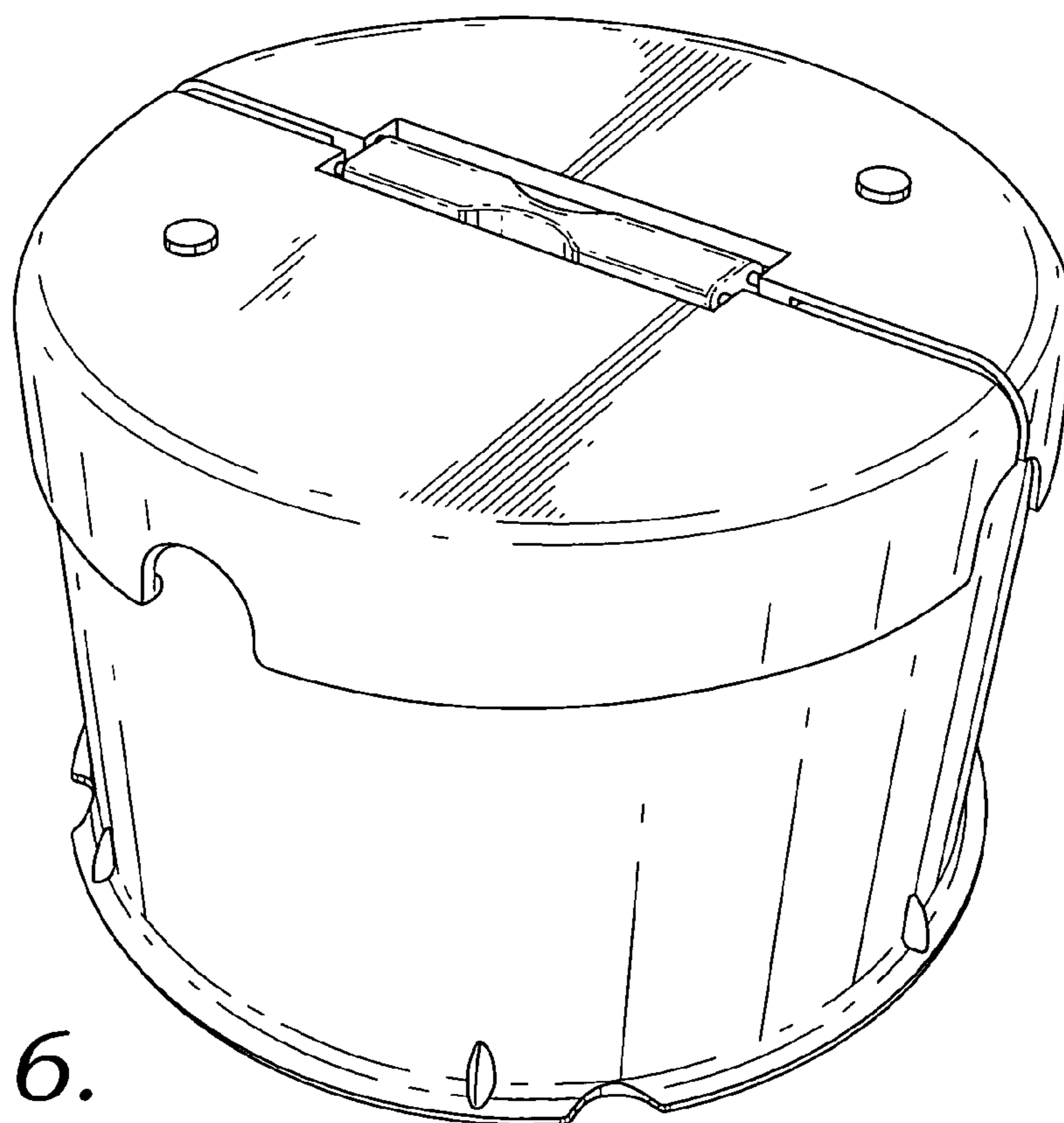
*FIG. 3.*



*FIG. 4.*



*FIG. 5.*



*FIG. 6.*