



US00D583866S

(12) **United States Design Patent**
Eddington et al.

(10) **Patent No.:** **US D583,866 S**

(45) **Date of Patent:** **** Dec. 30, 2008**

(54) **WRITING INSTRUMENT**

(75) Inventors: **Ryan S. Eddington**, Dallas City, IL (US); **Bernard J. McCauley**, West Point, IA (US)

(73) Assignee: **Societe BIC, S.A.**, Clichy (FR)

(**) Term: **14 Years**

(21) Appl. No.: **29/260,272**

(22) Filed: **May 23, 2006**

(51) **LOC (8) Cl.** **19-06**

(52) **U.S. Cl.** **D19/49**

(58) **Field of Classification Search** D19/35,
D19/36, 41-51, 53-57; 24/11 F, 11 P, 11 R;
401/52, 99, 100, 104-109, 192, 195, 196
See application file for complete search history.

(56) **References Cited**

U.S. PATENT DOCUMENTS

1,523,753	A *	1/1925	Chen	401/75
1,750,032	A *	3/1930	Timtiman	257/41
1,800,029	A *	4/1931	Sadayoshi	24/11 F
1,904,212	A *	4/1933	Esterow	24/11 F
D223,307	S *	4/1972	Nockolds	D19/51
D244,529	S *	5/1977	Gomez	D19/49
D253,060	S *	10/1979	Itoh	D19/48
D253,660	S *	12/1979	Carre	D19/51
D264,854	S *	6/1982	Spiegel	D19/49
D285,730	S *	9/1986	Bulwick	D28/7
D305,551	S *	1/1990	Oka	D19/57
D331,261	S *	11/1992	Bannwart	D19/51

D342,546	S *	12/1993	Song	D19/50
D349,297	S *	8/1994	Shimizu	D19/57
D354,309	S *	1/1995	Lin	D19/36
D366,901	S *	2/1996	Takahashi	D19/51
D391,294	S *	2/1998	Izushima	D19/57
D452,272	S *	12/2001	Bonnamour	D19/43
D482,397	S *	11/2003	Hui	D19/43
D556,825	S *	12/2007	Bruzzi	D19/51

FOREIGN PATENT DOCUMENTS

EM	000624895-0001	*	11/2006
WO	DM/067319	*	3/2005

* cited by examiner

Primary Examiner—Elizabeth A Albert

(74) *Attorney, Agent, or Firm*—The H.T. Than Law Group

(57) **CLAIM**

What is claimed is the ornamental design for a writing instrument, as shown and described.

DESCRIPTION

FIG. 1 is a front, right perspective view of a writing instrument according to the present invention.

FIG. 2 is a front elevational view thereof;

FIG. 3 is a back elevational view thereof;

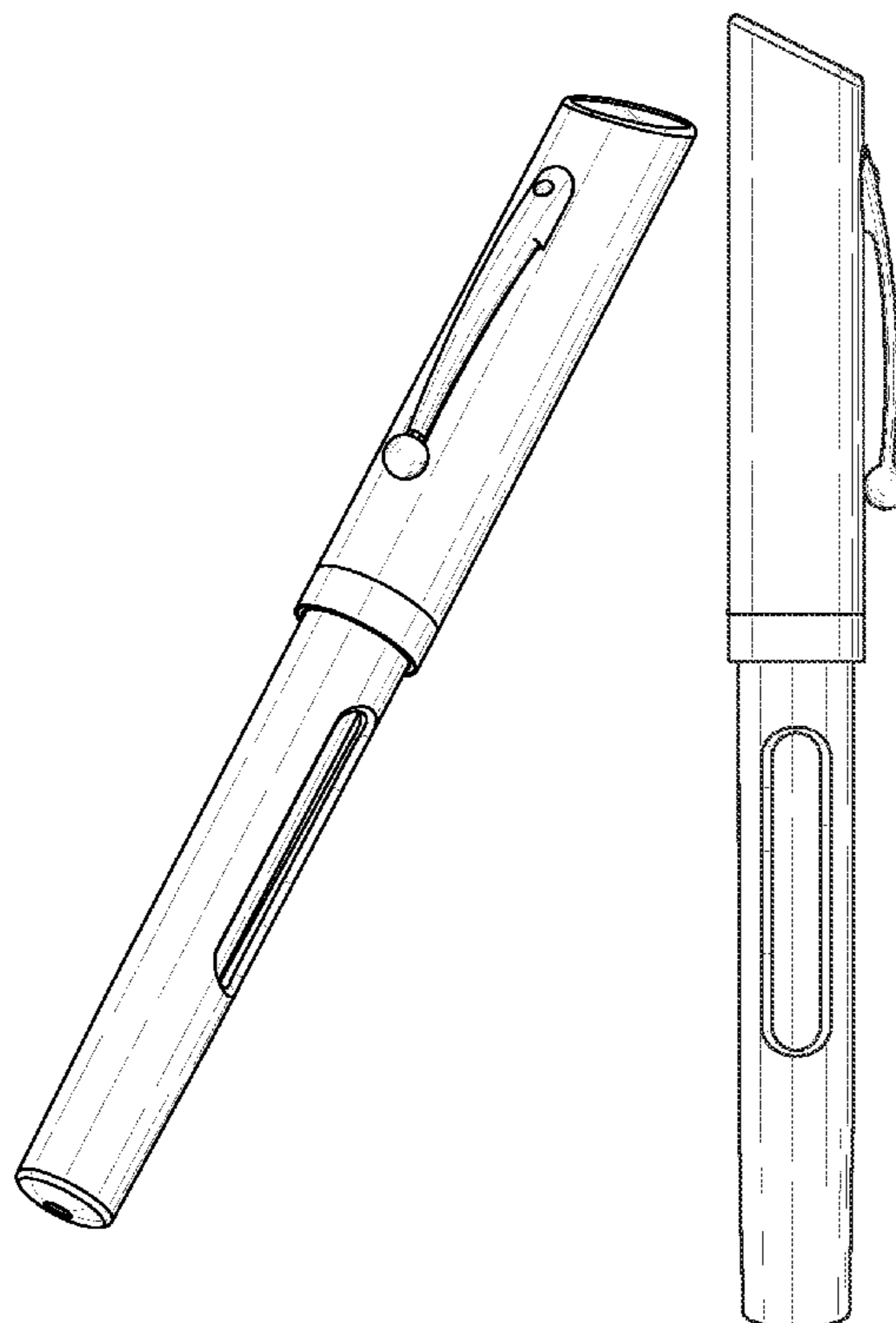
FIG. 4 is a left side elevational view thereof;

FIG. 5 is a right side elevational view thereof;

FIG. 6 is a top end view thereof; and,

FIG. 7 is a bottom end view thereof.

1 Claim, 4 Drawing Sheets



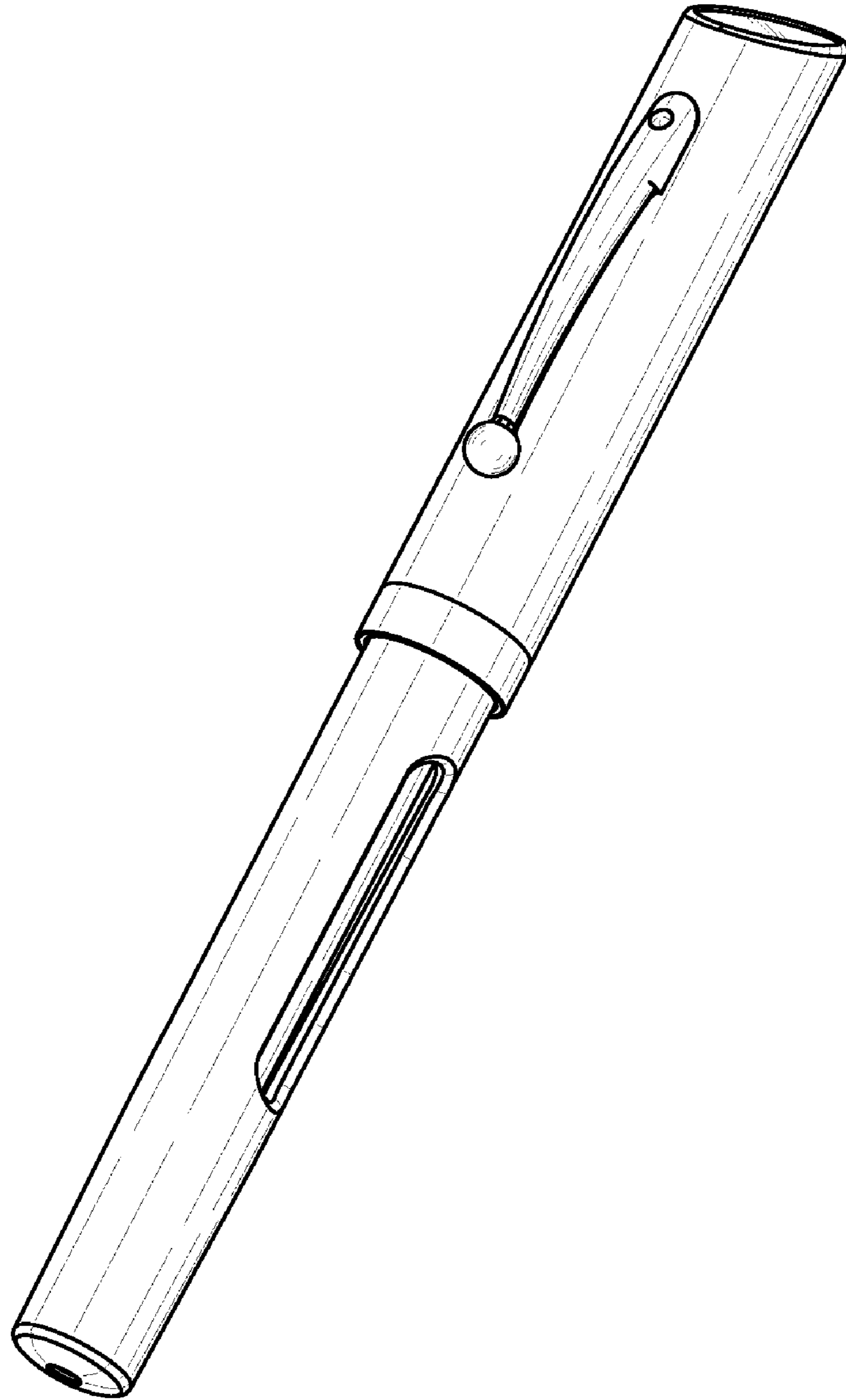


Fig. 1

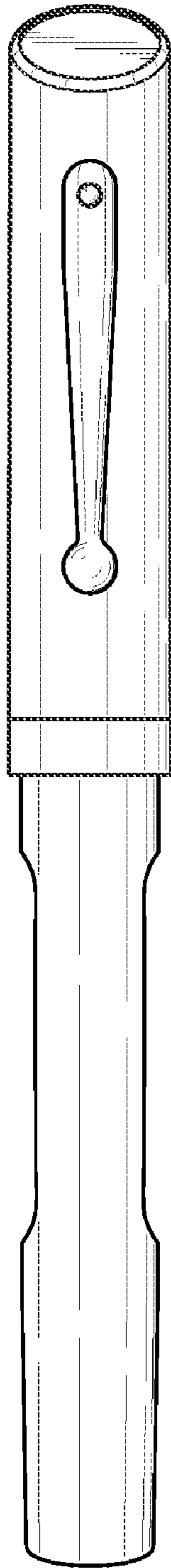


Fig. 2

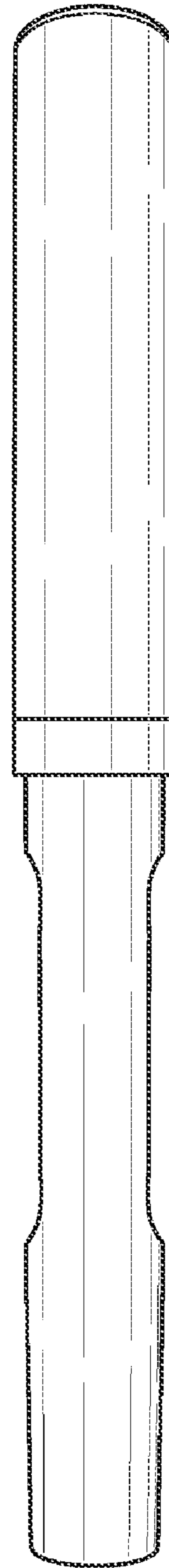


Fig. 3

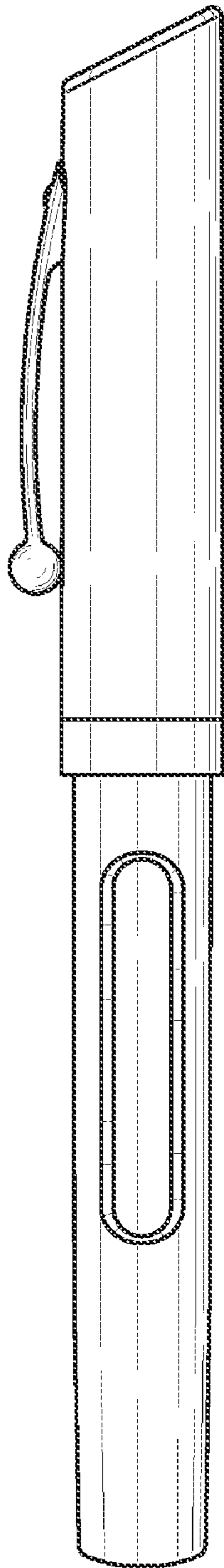


Fig. 4

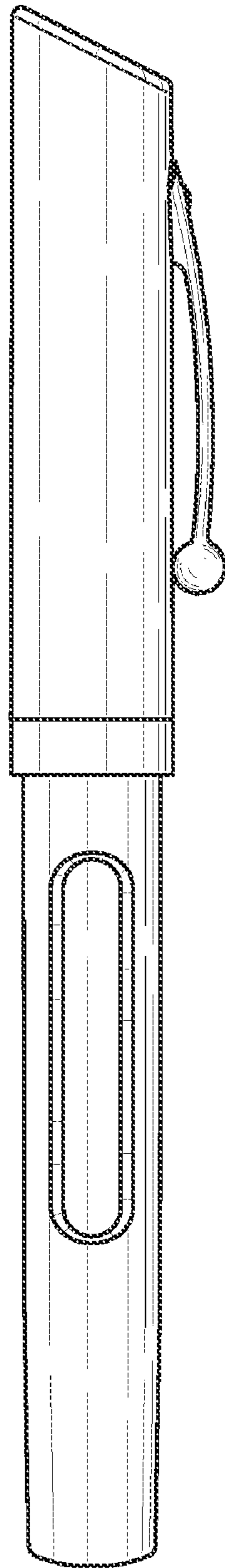


Fig. 5

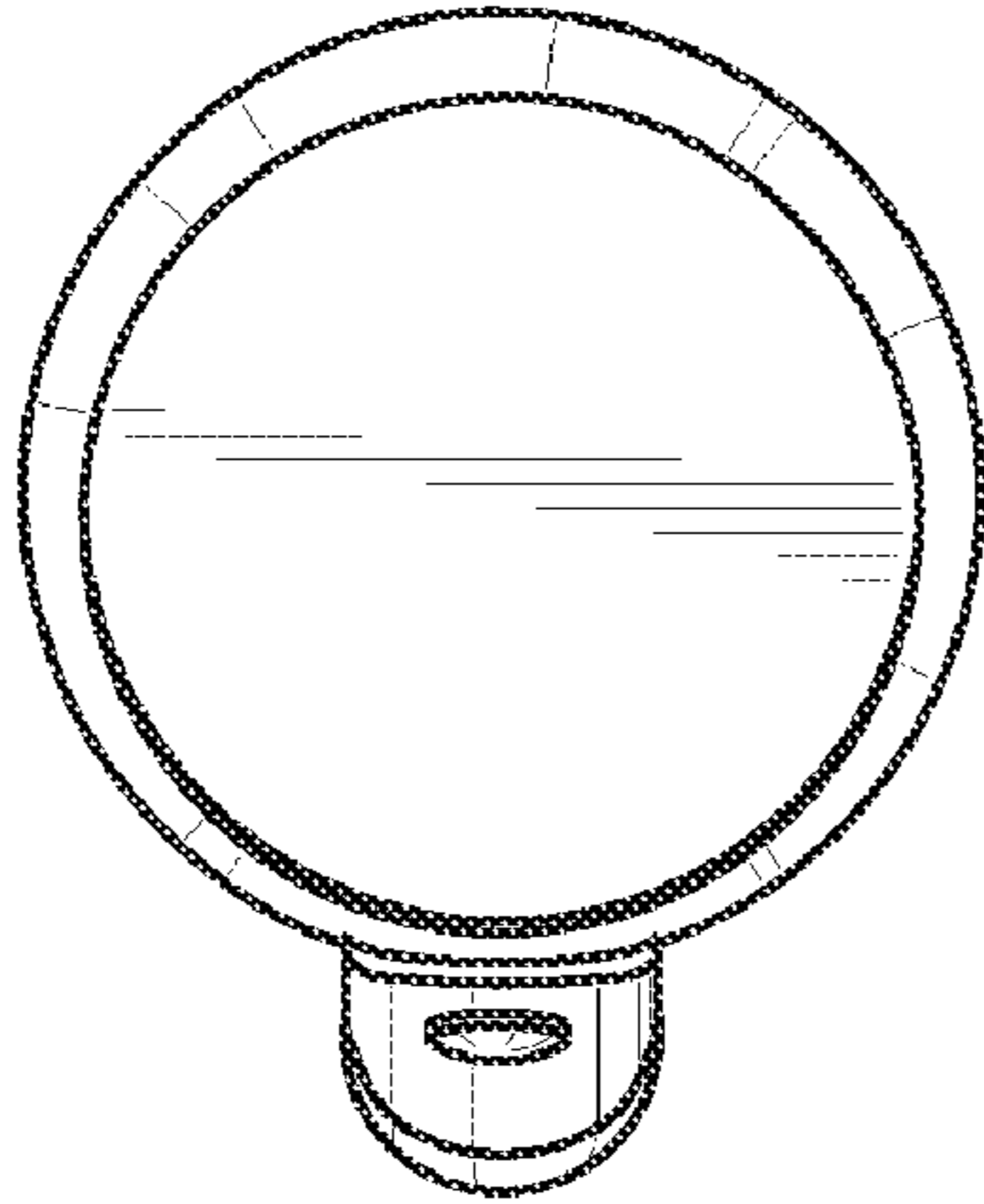


Fig. 6

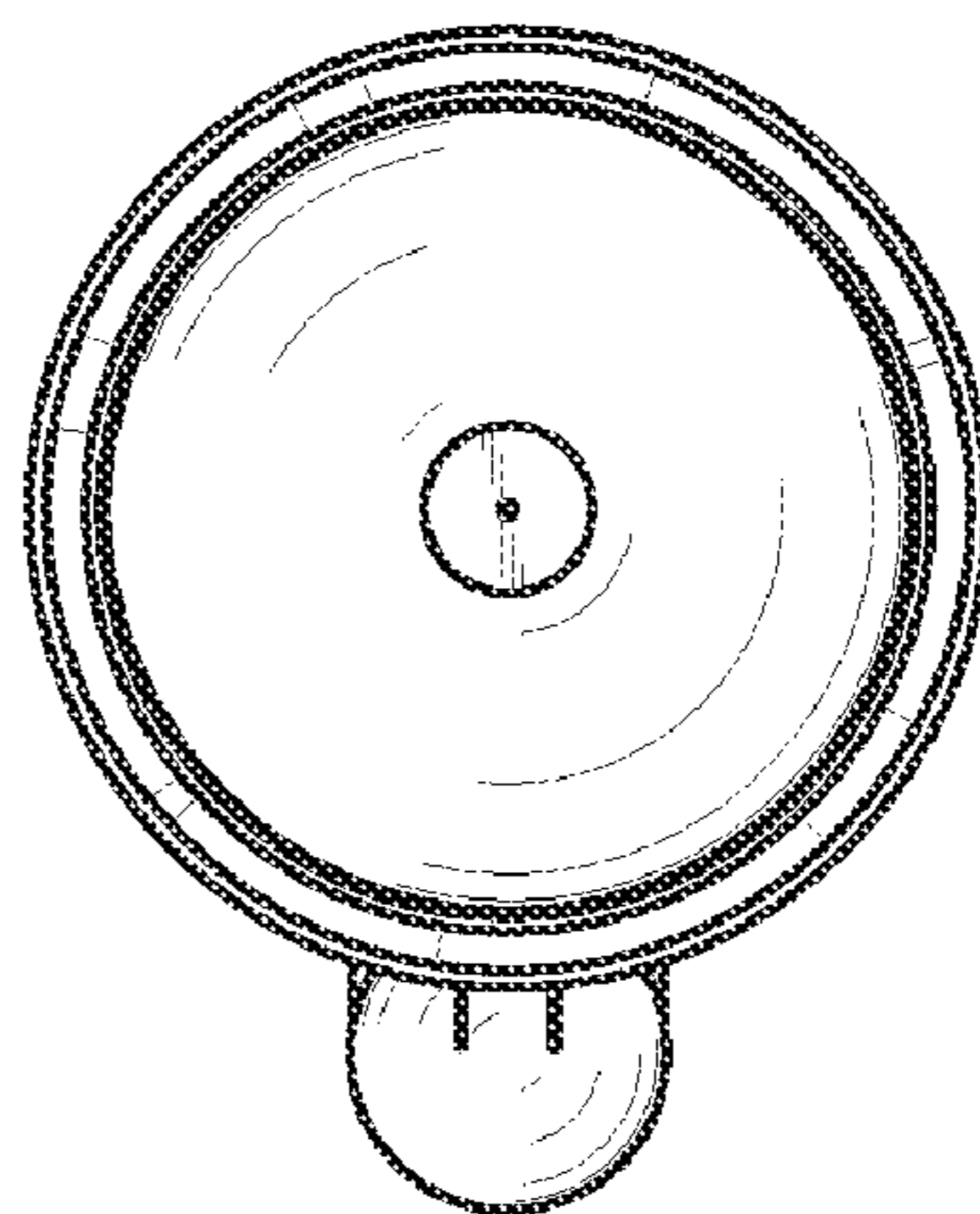


Fig. 7