

US00D583863S

(12) **United States Design Patent**
Savoy

(10) **Patent No.:** **US D583,863 S**

(45) **Date of Patent:** **** Dec. 30, 2008**

(54) **PLANNER BOOKLET**

(75) Inventor: **Harolde M. Savoy**, Dallas, TX (US)

(73) Assignee: **Les Entreprises Dominion Blueline Inc.**, Saint-Jean-sur-Richelieu (CA)

(**) Term: **14 Years**

(21) Appl. No.: **29/322,774**

(22) Filed: **Aug. 12, 2008**

Related U.S. Application Data

(63) Continuation of application No. 11/606,207, filed on Nov. 30, 2006.

(51) **LOC (8) Cl.** **19-04**

(52) **U.S. Cl.** **D19/26**

(58) **Field of Classification Search** D6/626,
D6/632, 407; D3/303, 301; D19/27, 26,
D19/90, 30, 31; D9/423; 402/73; 281/37,
281/31, 4, 29, 2

See application file for complete search history.

(56) **References Cited**

U.S. PATENT DOCUMENTS

2,865,659	A	12/1958	Zimmermann	
3,620,552	A *	11/1971	Woodcock et al.	281/33
D257,264	S *	10/1980	Savatteri	D19/26
D304,343	S *	10/1989	Popat et al.	D19/26
D308,225	S *	5/1990	Dressler	D19/26
4,971,361	A *	11/1990	Whiting	281/2
5,104,146	A	4/1992	Schulz et al.	
D377,946	S *	2/1997	French et al.	D19/3
D413,725	S *	9/1999	Hartmann et al.	D3/247
6,024,508	A	2/2000	Lippeth et al.	
6,089,607	A	7/2000	Kenney et al.	
D449,927	S *	11/2001	Dorizas	D3/201
D455,781	S *	4/2002	Jobelius et al.	D19/2
D477,634	S *	7/2003	Malone	D19/26
D523,078	S *	6/2006	Ong	D19/26
D549,283	S *	8/2007	Bharma	D19/27
D557,739	S *	12/2007	Bharma	D19/26

D573,637	S *	7/2008	Bharma	D19/26
2002/0074791	A1	6/2002	Wien et al.	
2003/0209903	A1	11/2003	Morris	
2007/0120356	A1	5/2007	Savoy	

FOREIGN PATENT DOCUMENTS

EP 0567714 A1 4/1992

OTHER PUBLICATIONS

Kyle R. Grabowski, "Office Action," mailed Oct. 15, 2007, 11 pgs., issued in U.S. Appl. No. 11/606,207, U.S. Patent and Trademark Office.

Kyle R. Grabowski, "Office Action," mailed May 12, 2008, 10 pgs., issued in U.S. Appl. No. 11/606,207, U.S. Patent and Trademark Office.

* cited by examiner

Primary Examiner—Cathron C Brooks

Assistant Examiner—Austin Murphy

(74) *Attorney, Agent, or Firm*—Haynes and Boone, LLP

(57) **CLAIM**

The ornamental design for a planner booklet, as shown and described.

DESCRIPTION

FIG. 1 is a perspective view of the planner booklet showing my new design;

FIG. 2 is a front elevational view thereof;

FIG. 3 is a rear elevational view thereof;

FIG. 4 is a top plan view thereof;

FIG. 5 is a bottom plan view thereof;

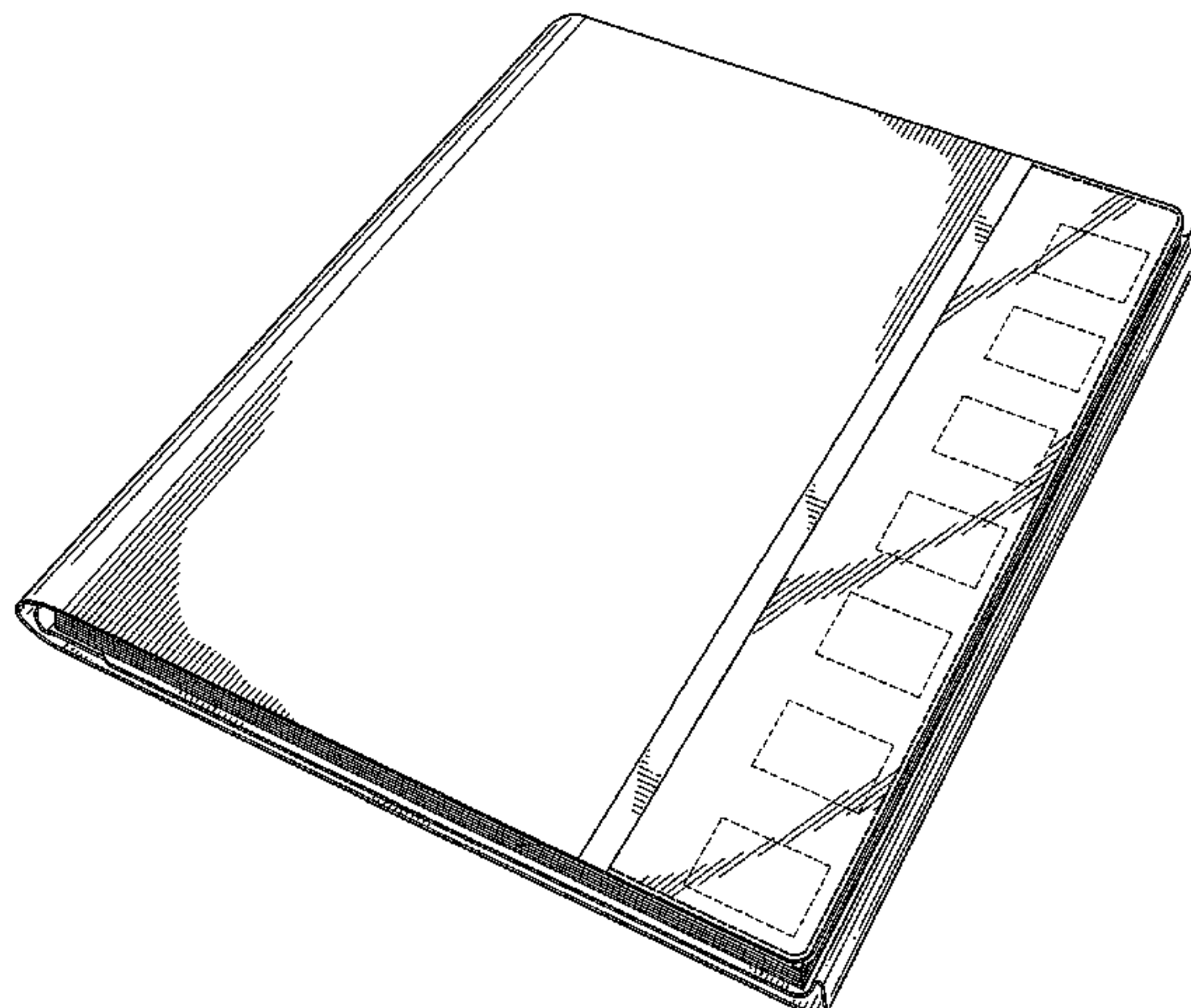
FIG. 6 is a right side elevational view thereof;

FIG. 7 is a left side elevational view thereof; and,

FIGS. 8, 9, 10 and 11 are additional perspective views thereof showing progressively unfolded configurations of the planner booklet.

The broken lines in the drawings form no part of the claimed design.

1 Claim, 8 Drawing Sheets



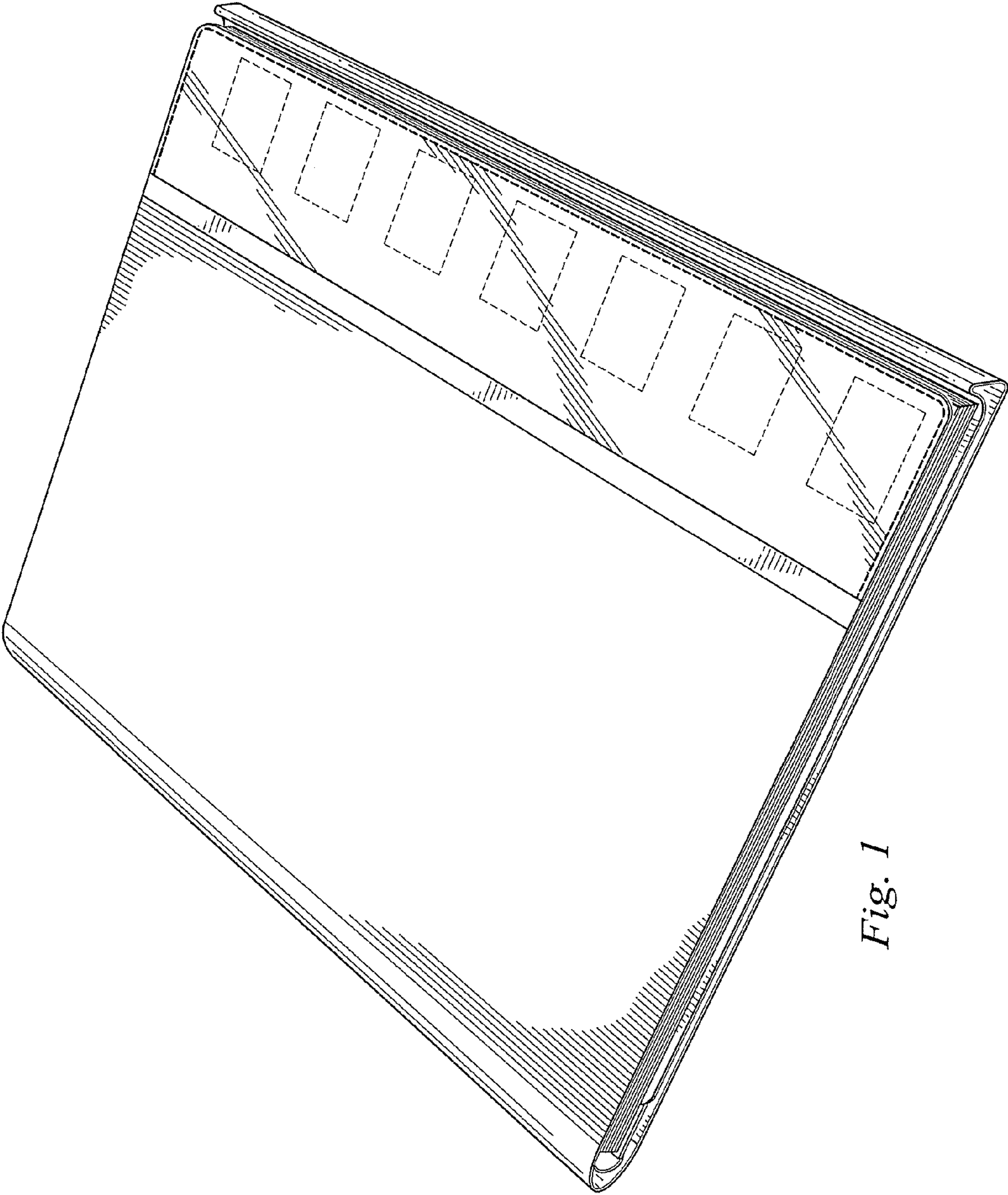


Fig. 1

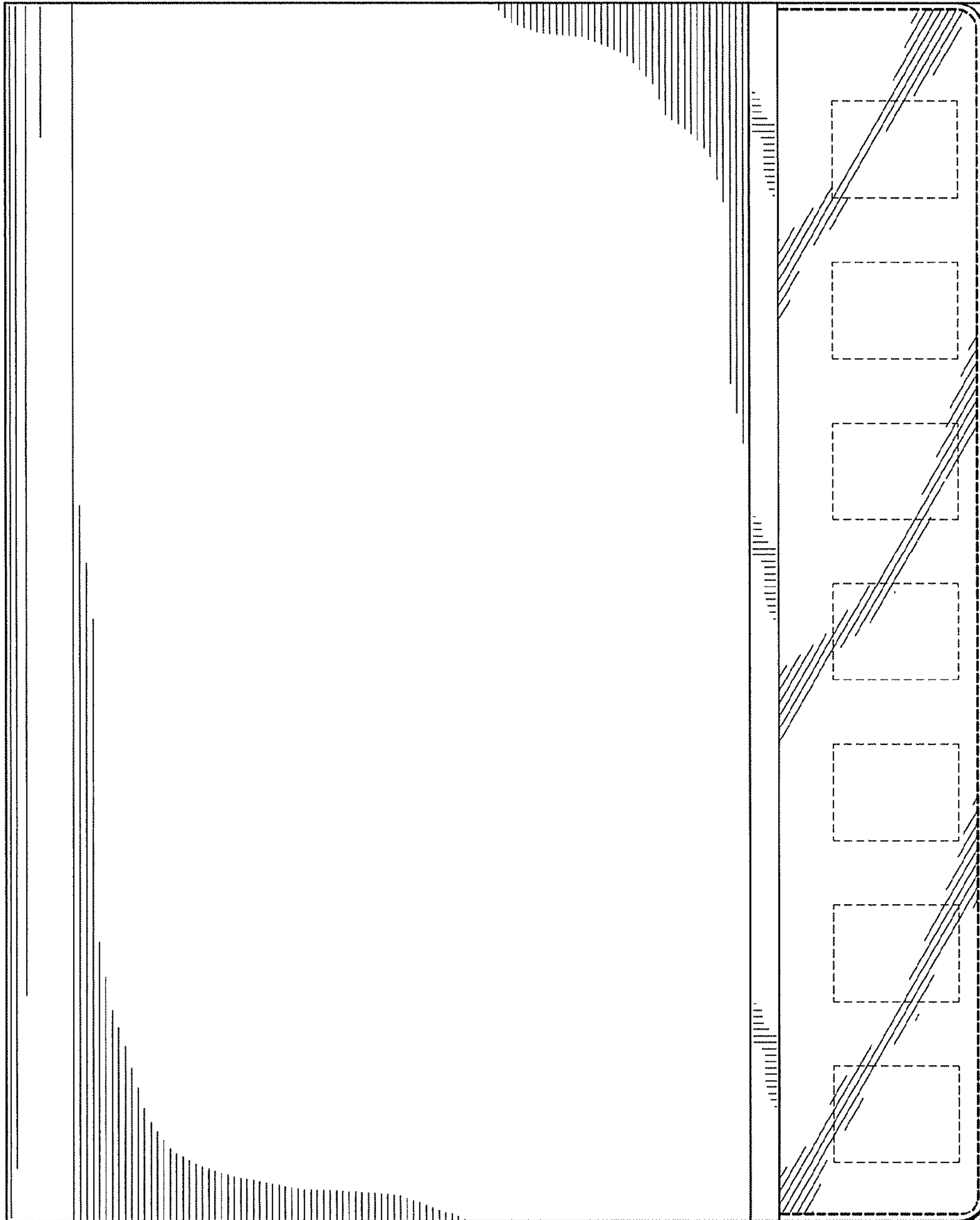


Fig. 2

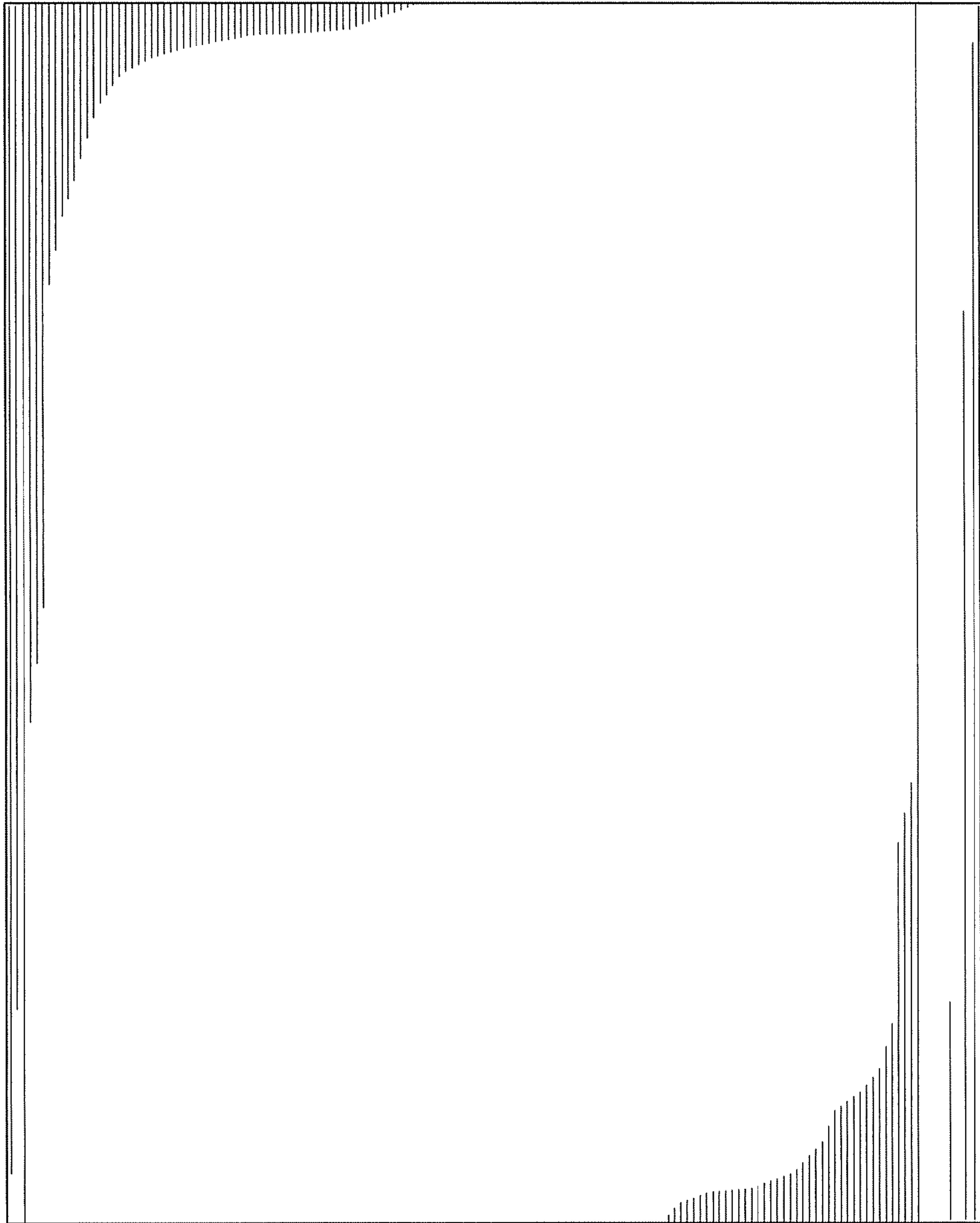


Fig. 3

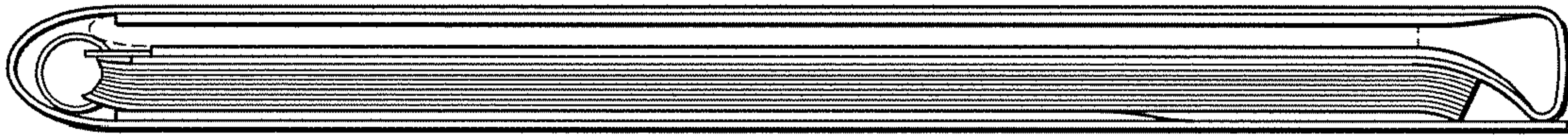


Fig. 4

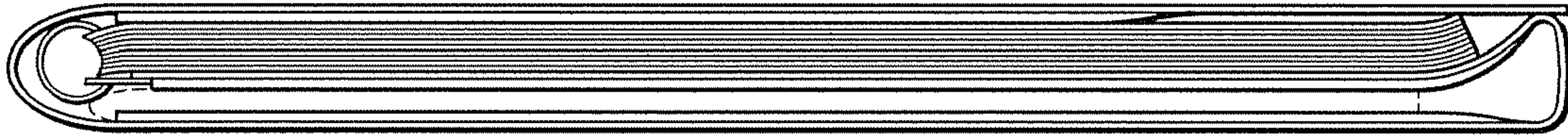


Fig. 5

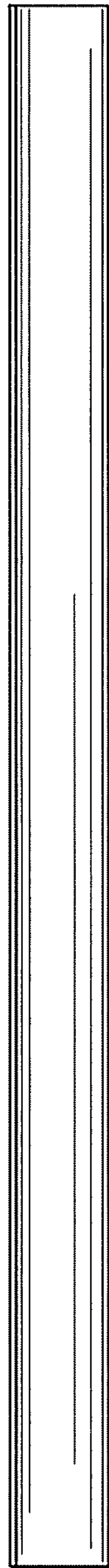


Fig. 6

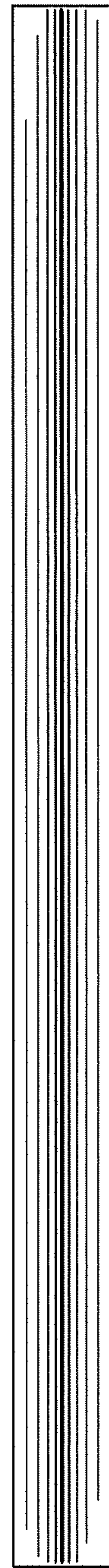


Fig. 7

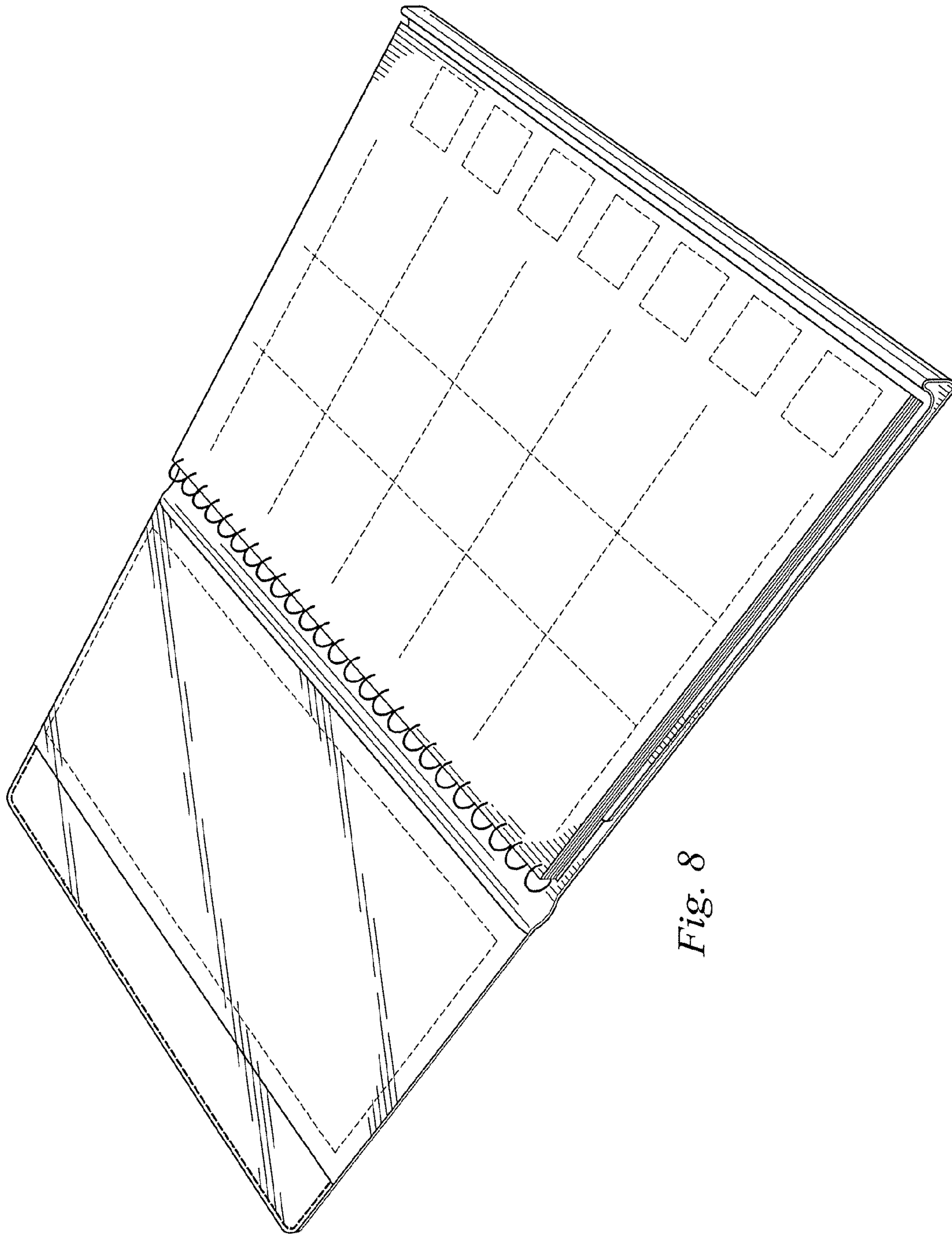


Fig. 8

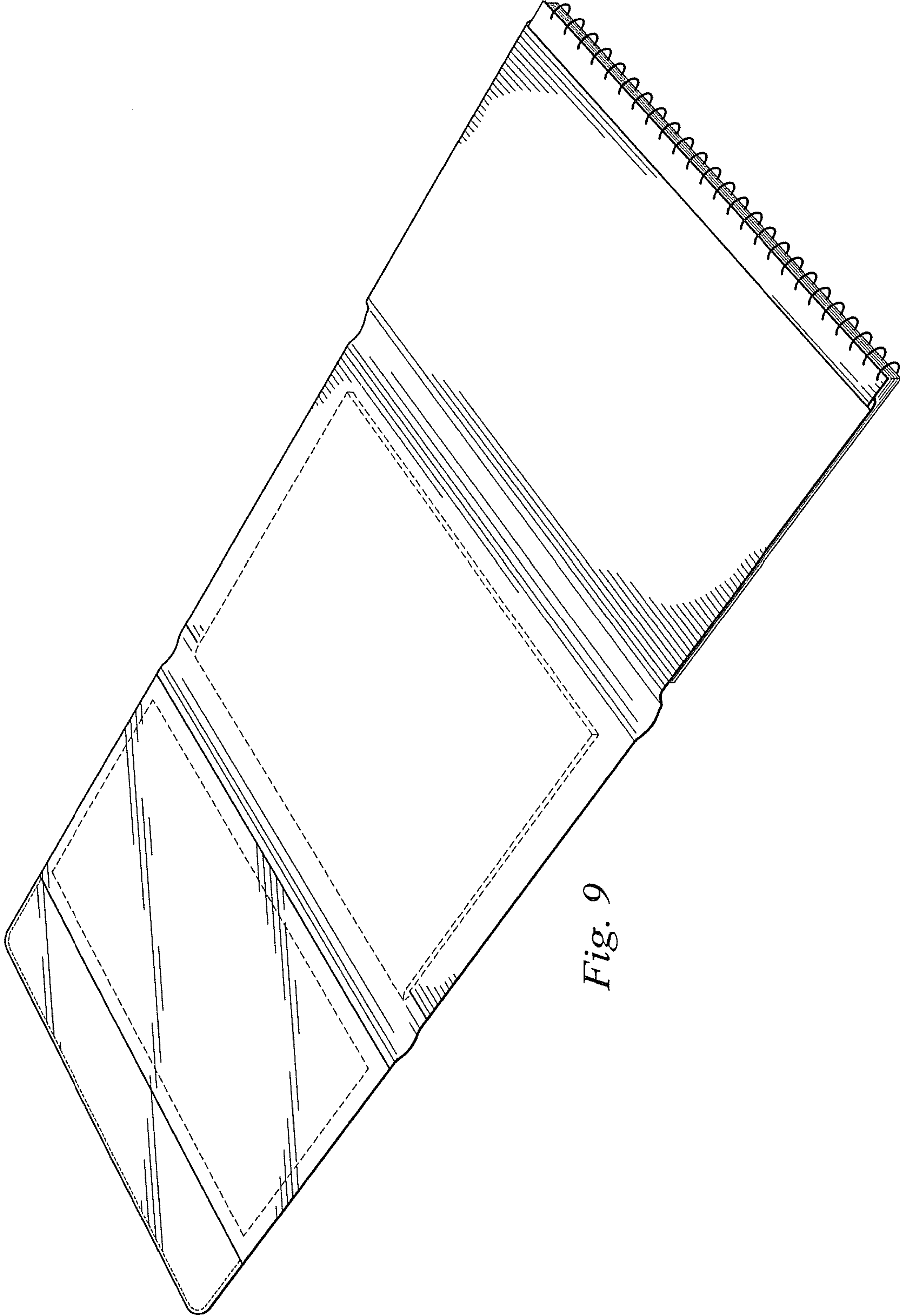


Fig. 9

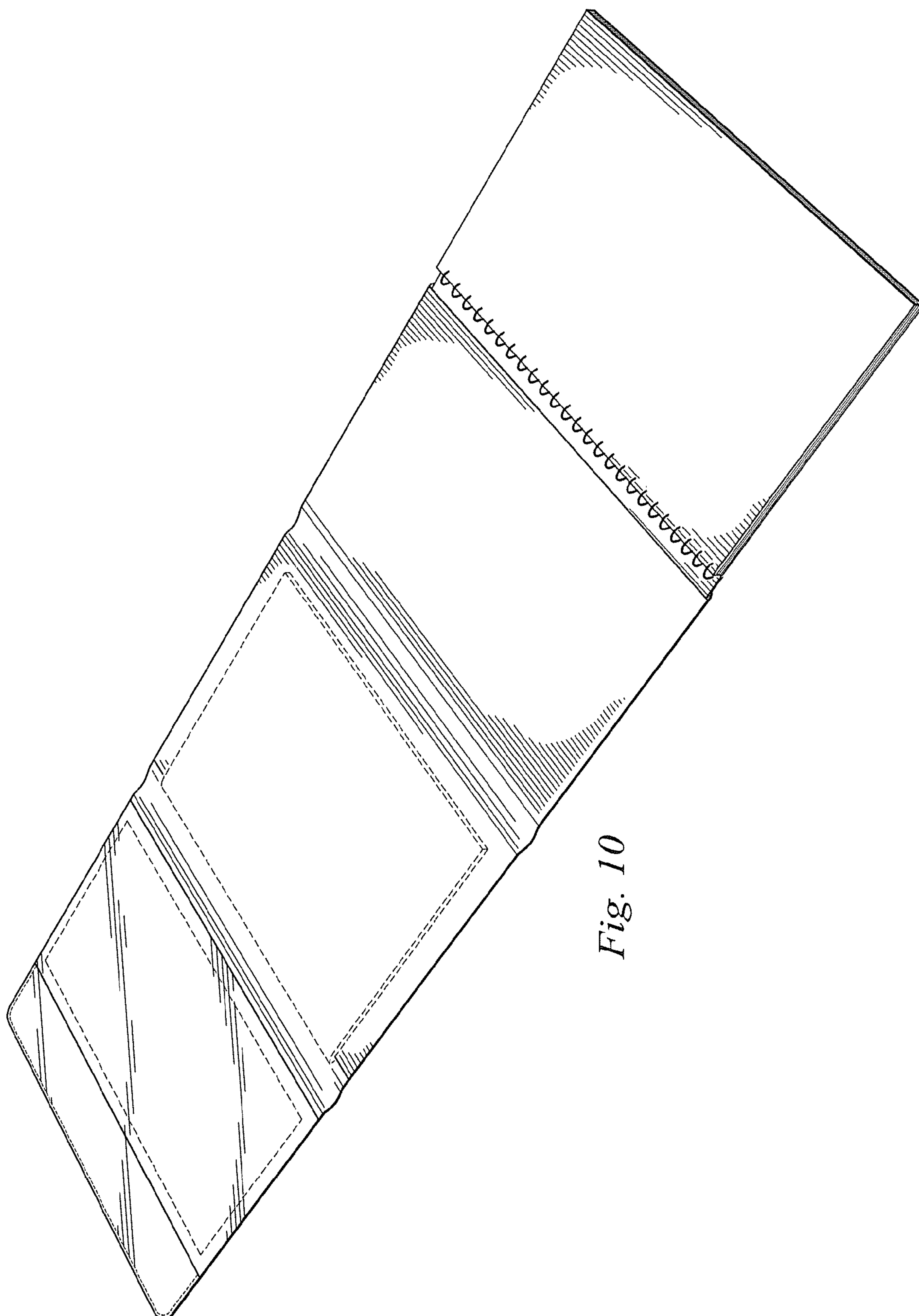


Fig. 10

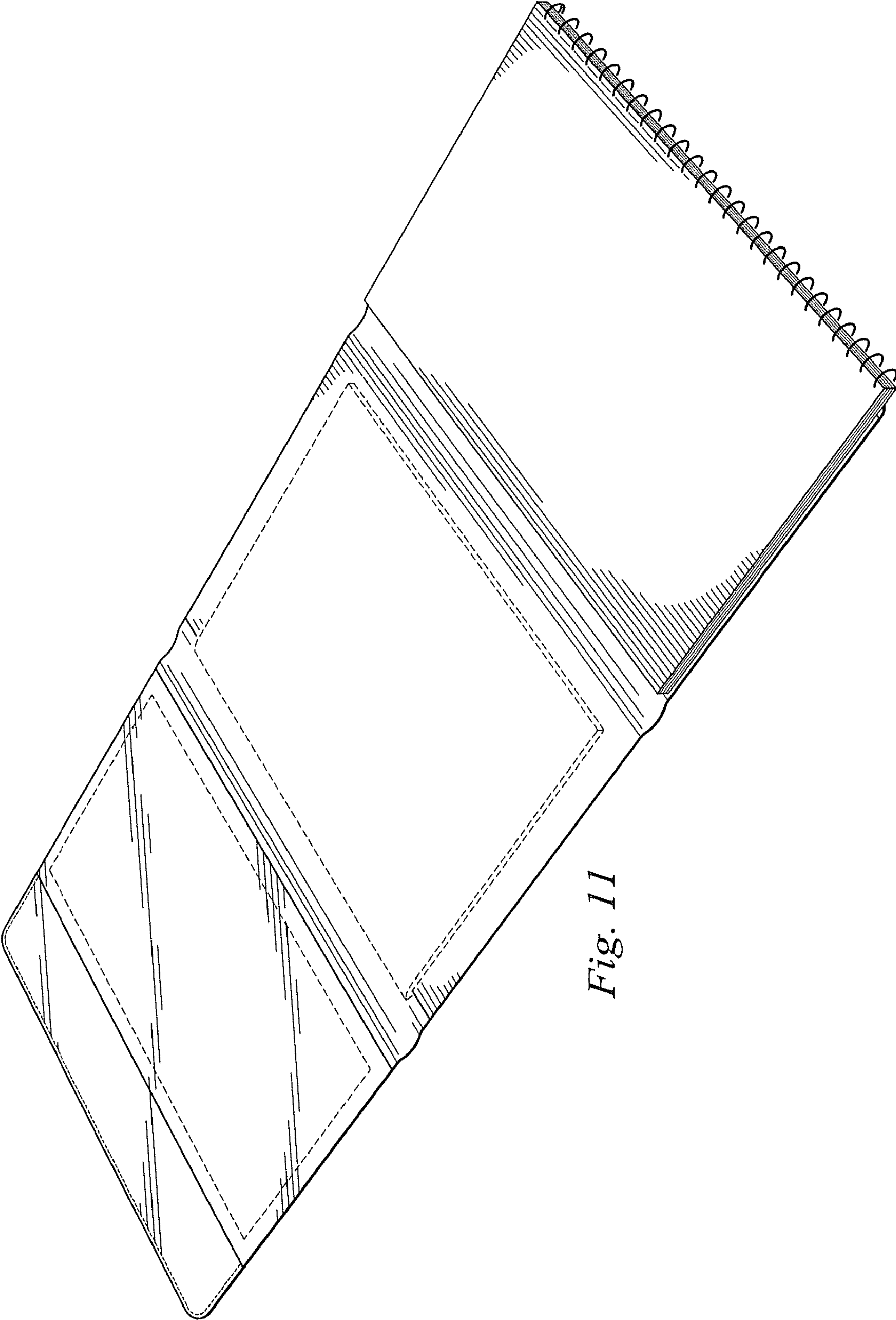


Fig. 11