



US00D583862S

(12) **United States Design Patent**
Park et al.

(10) **Patent No.:** **US D583,862 S**
(45) **Date of Patent:** **** Dec. 30, 2008**

(54) **TONER FOR PRINTER**

(75) Inventors: **Gyeong-Sun Park**, Seoul (KR); **Yun-Gi Hong**, Kyunggi-do (KR); **Bong-Uk Lim**, Kyunggi-do (KR)

(73) Assignee: **Samsung Electronics Co., Ltd.**, Kyunggi-do (KR)

(**) Term: **14 Years**

(21) Appl. No.: **29/292,076**

(22) Filed: **Sep. 27, 2007**

(51) **LOC (8) Cl.** **08-02**

(52) **U.S. Cl.** **D18/56**

(58) **Field of Classification Search** D18/12,
D18/43, 56; 399/258, 260; 347/85-87
See application file for complete search history.

(56) **References Cited**

U.S. PATENT DOCUMENTS

D236,694	S	*	9/1975	Avolio	D18/43
4,688,926	A	*	8/1987	Manno	399/260
4,878,603	A	*	11/1989	Ikesue et al.	222/167
D330,215	S	*	10/1992	Saito et al.	D18/43
D477,357	S	*	7/2003	Nakajima et al.	D18/43
D538,850	S		3/2007	Choi et al.		

D559,902	S	*	1/2008	Park et al.	D18/56
2005/0151809	A1	*	7/2005	Corner et al.	347/86

OTHER PUBLICATIONS

U.S. Des. Appl. No. 29/292,083, Applicant: Gyeong-Sun Park, filed Sep. 27, 2007 entitled Toner for Printer.

* cited by examiner

Primary Examiner—Cathy Anne MacCormac

(74) *Attorney, Agent, or Firm*—Flynn, Thiel, Boutell & Tanis, P.C.

(57) **CLAIM**

The ornamental design for a toner for printer, as shown and described.

DESCRIPTION

FIG. 1 is a top front perspective view of a toner for printer showing our new design;

FIG. 2 is a front elevational view thereof;

FIG. 3 is a rear elevational view thereof;

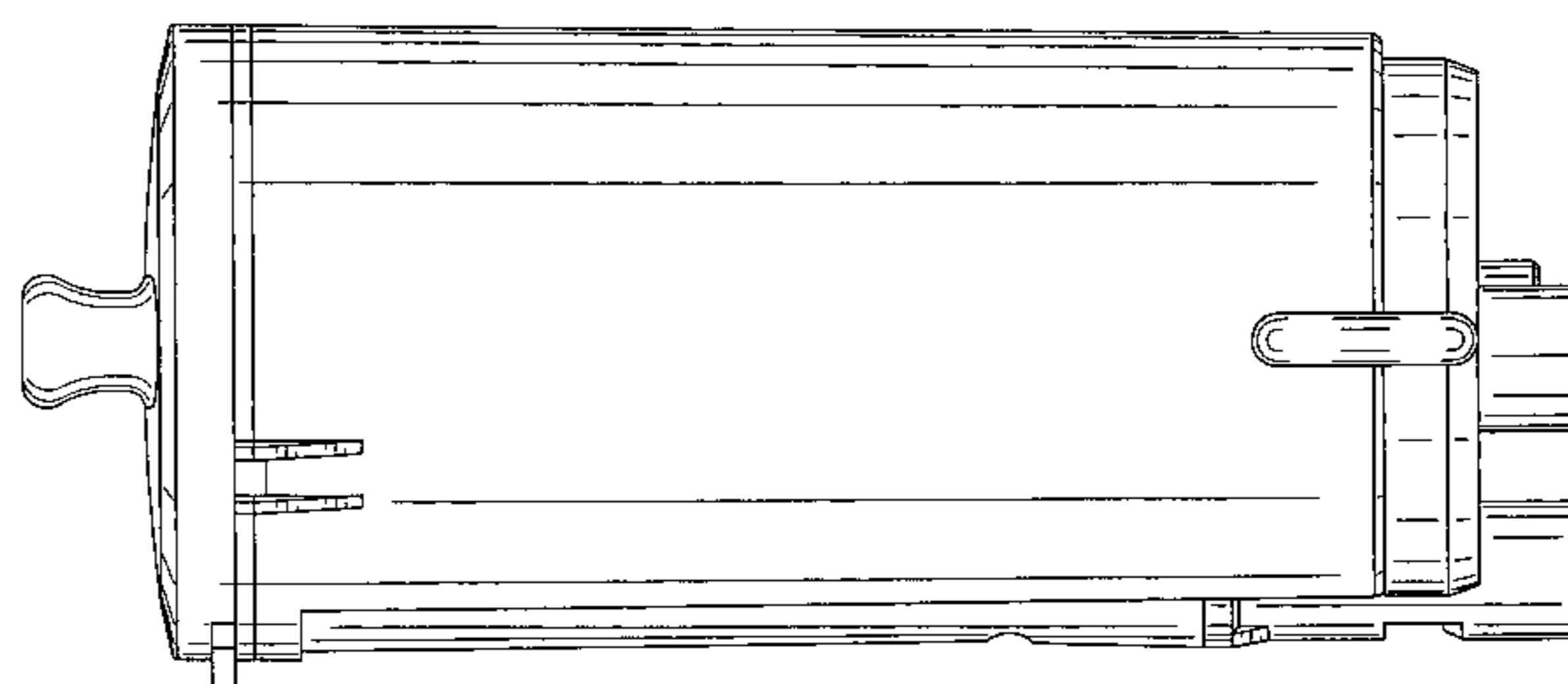
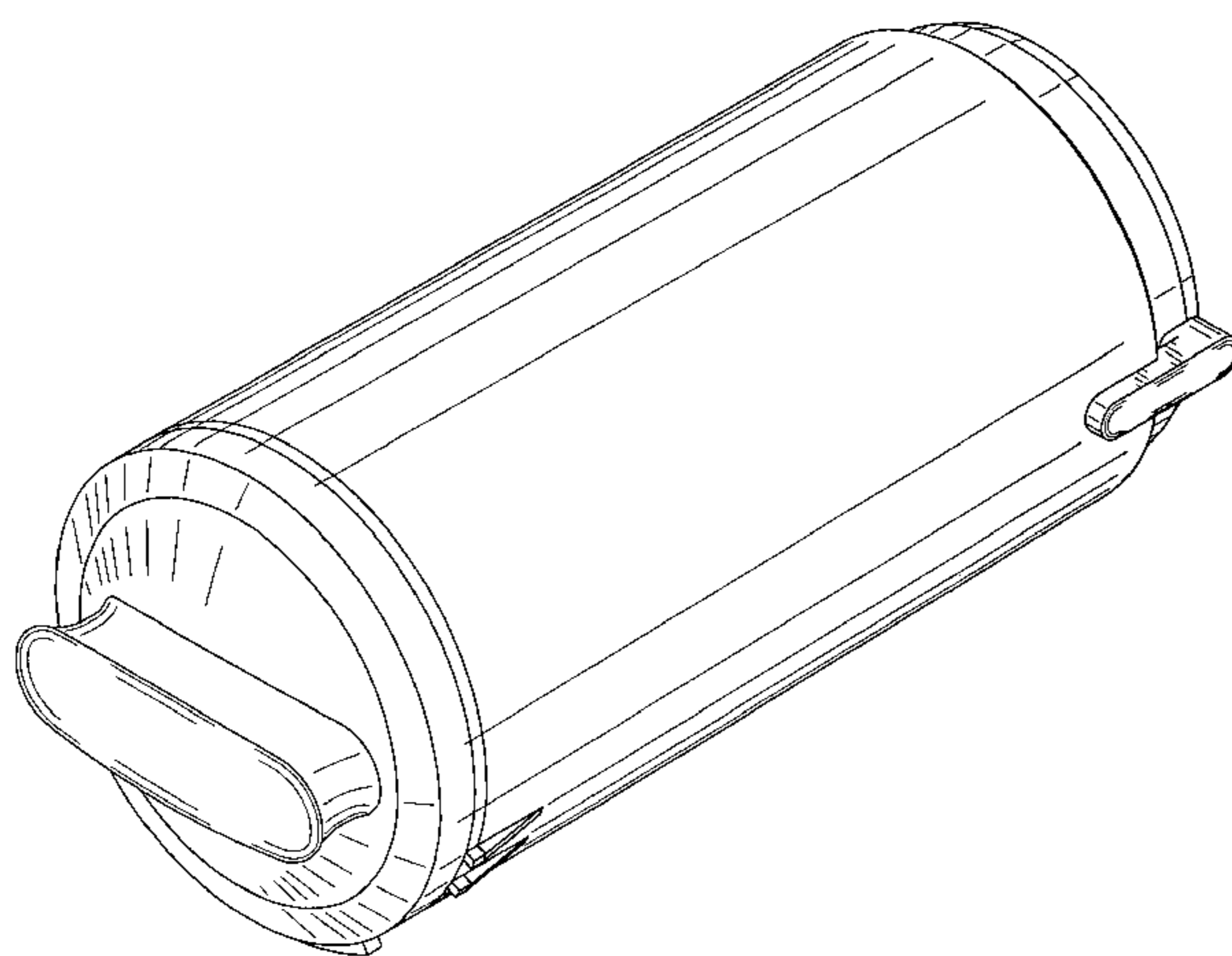
FIG. 4 is a left side elevational view thereof;

FIG. 5 is a right side elevational view thereof;

FIG. 6 is a top plan view thereof; and,

FIG. 7 is a bottom plan view thereof.

1 Claim, 4 Drawing Sheets



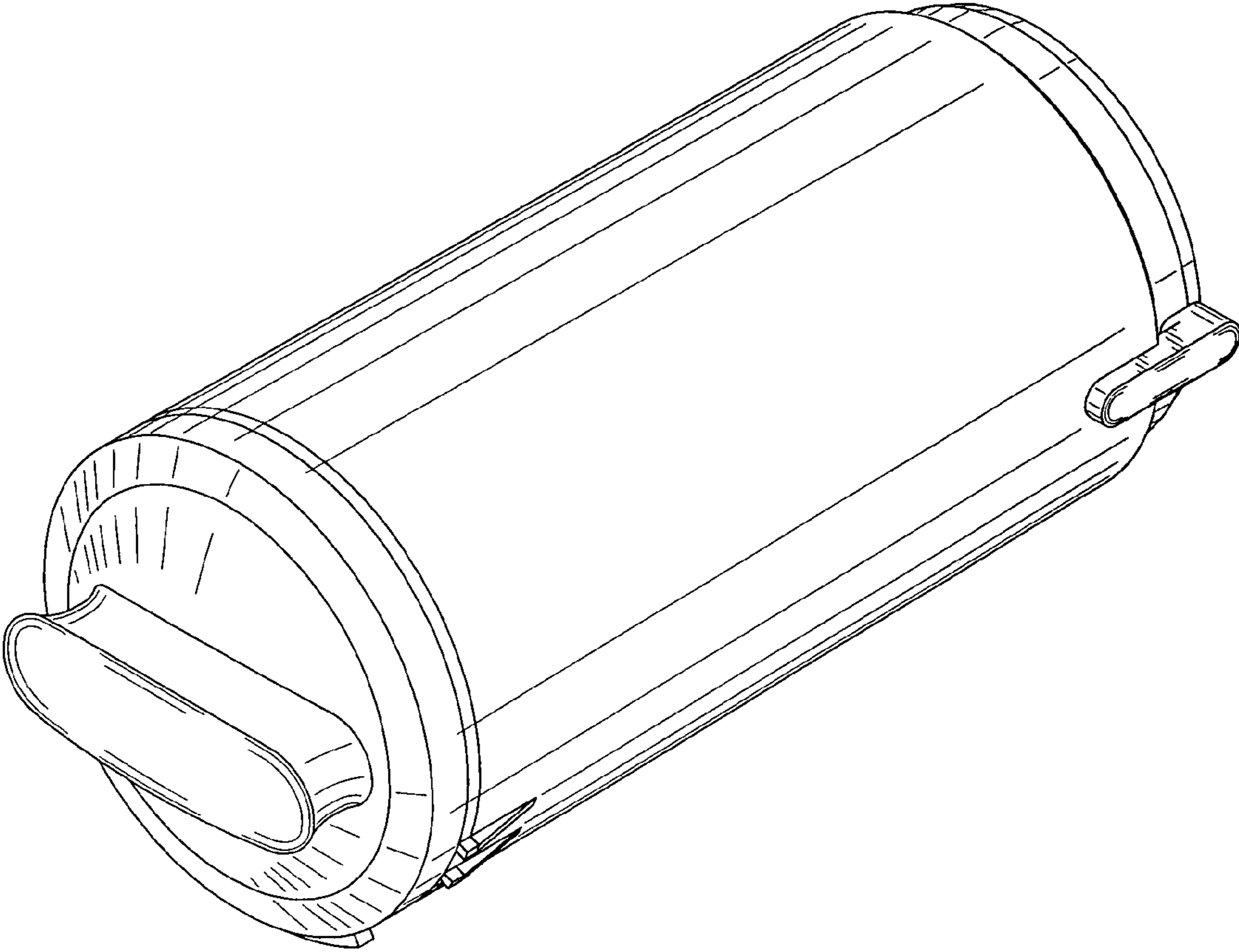


FIG. 1

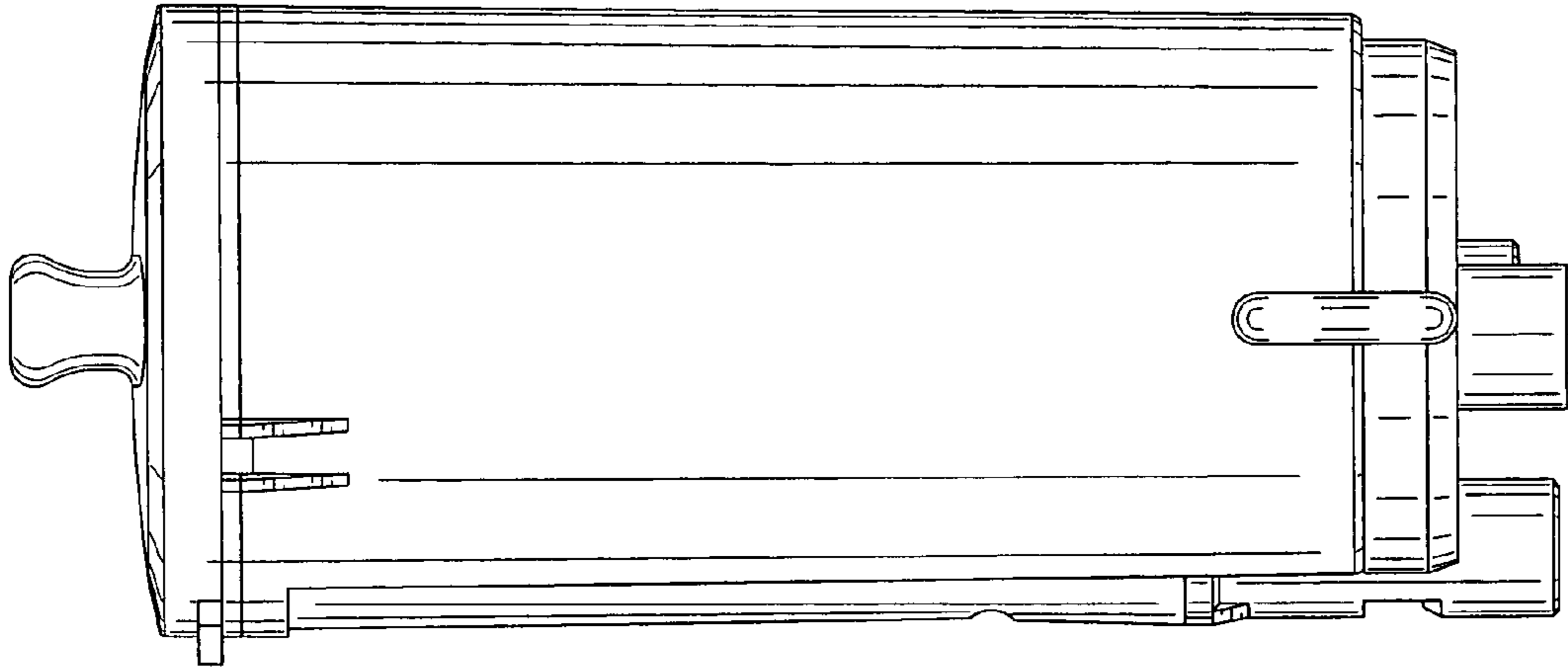


FIG. 2

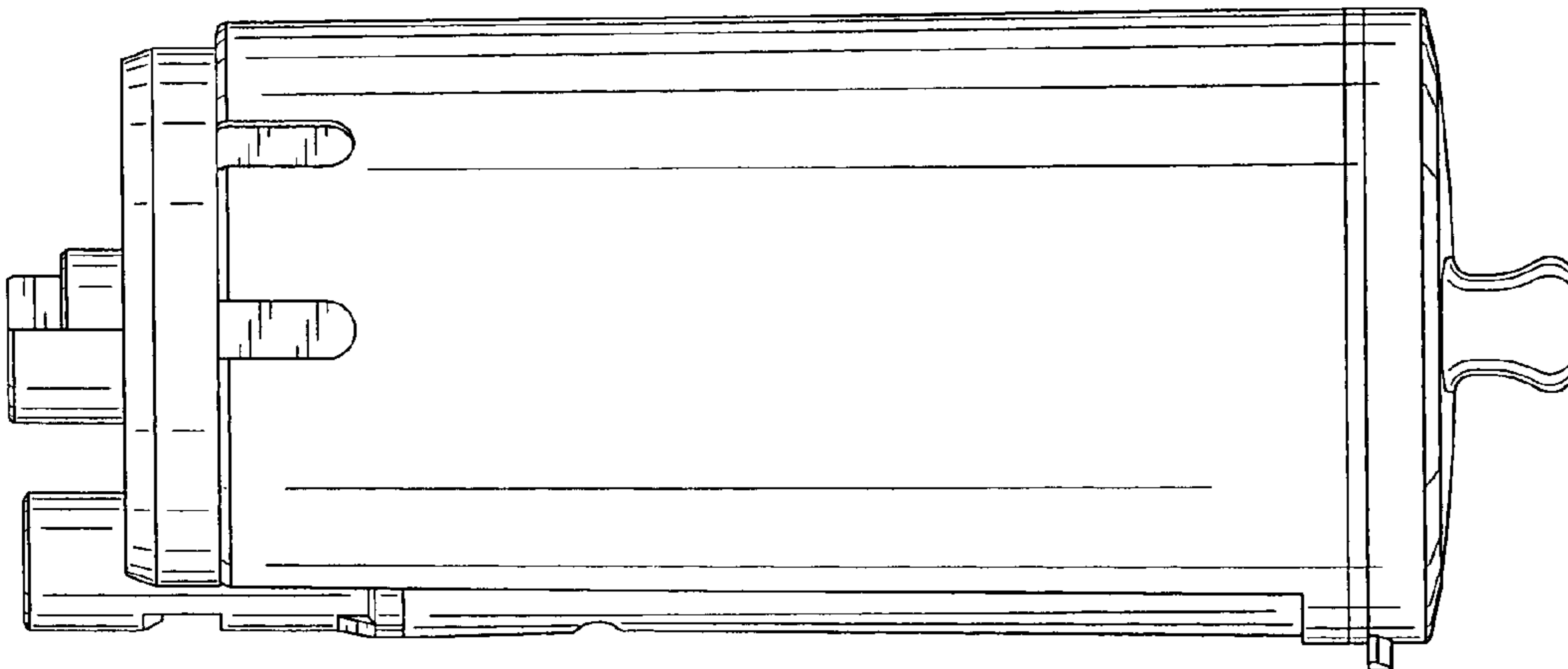


FIG. 3

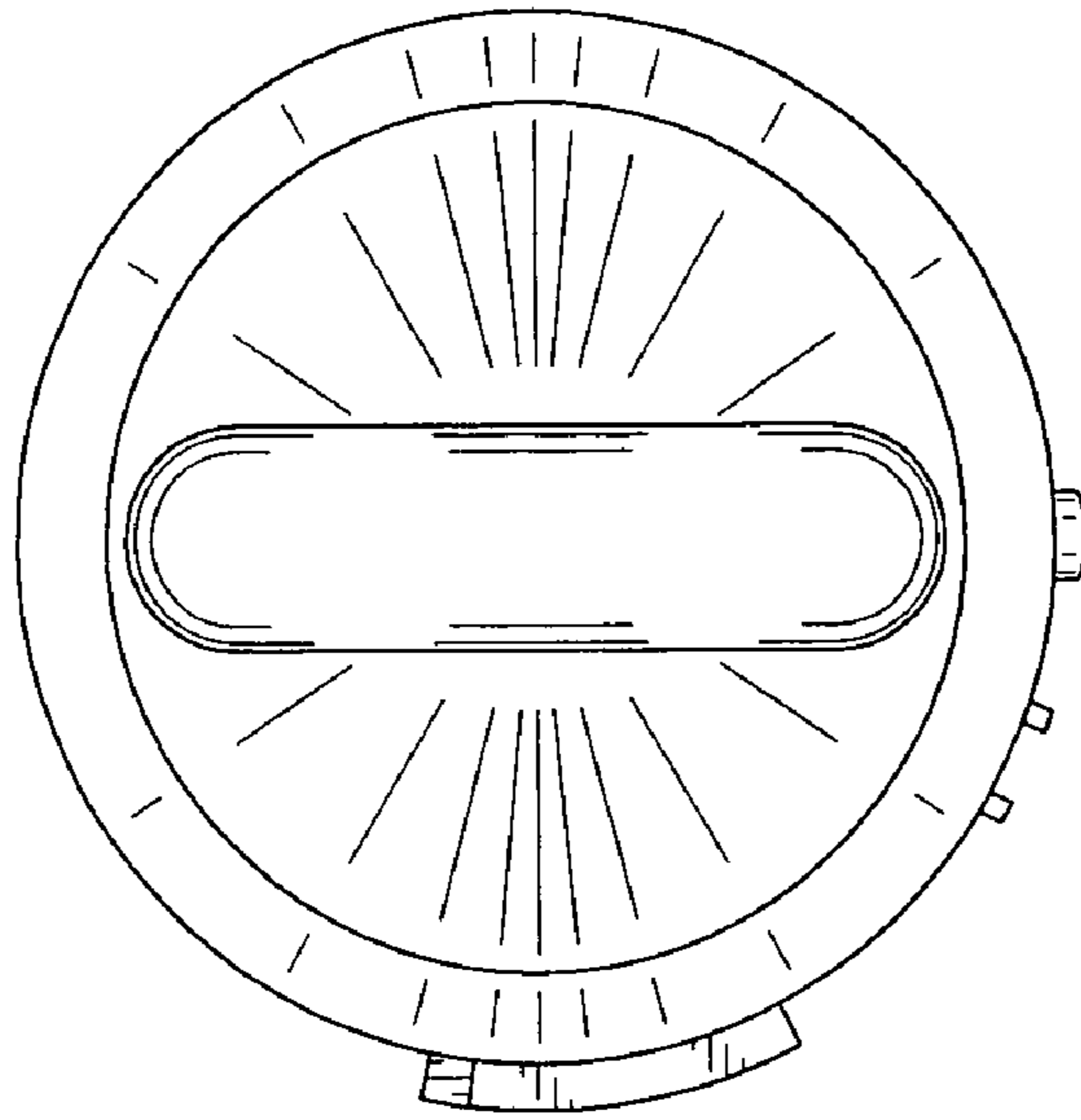


FIG. 4

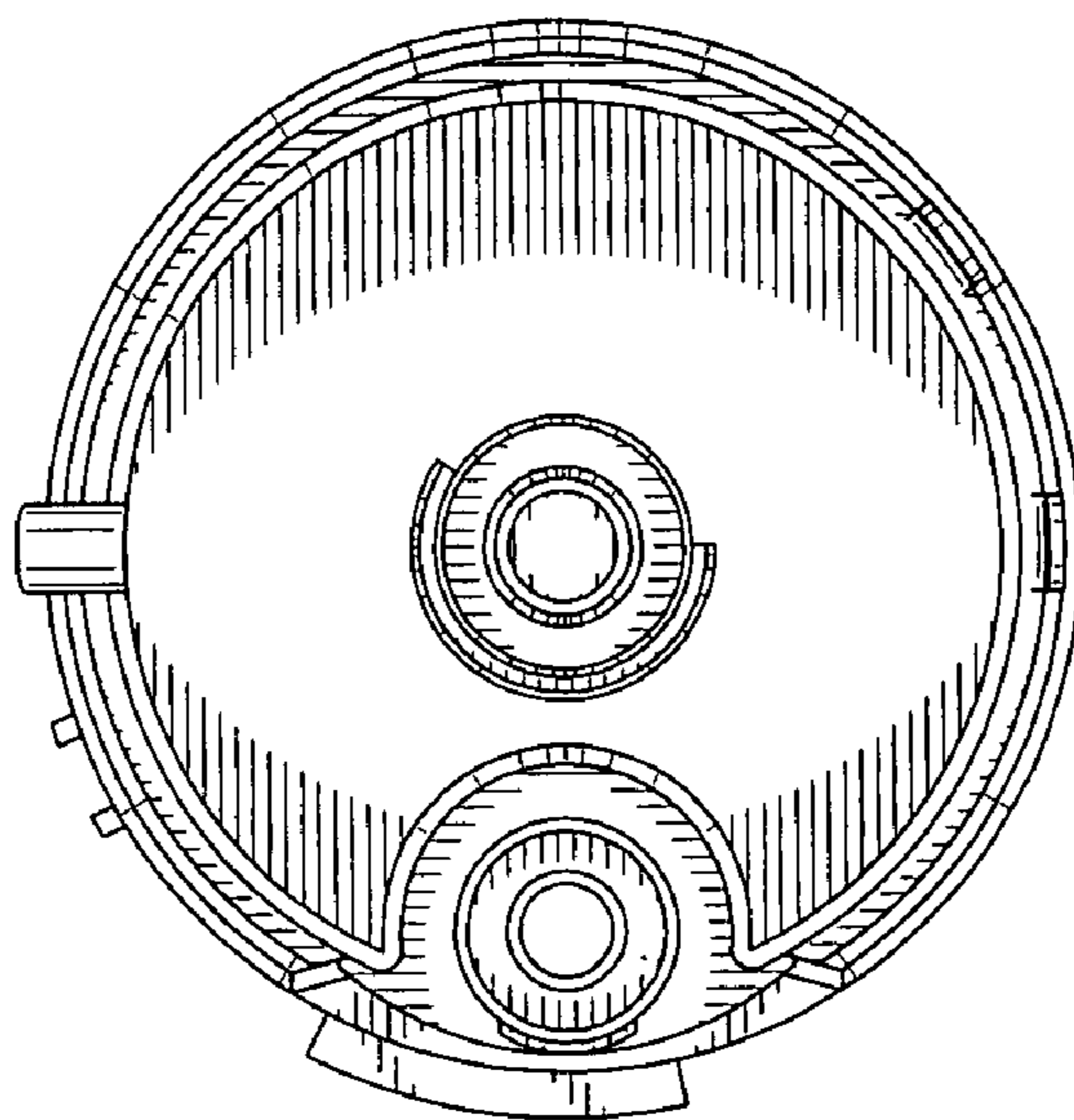


FIG. 5

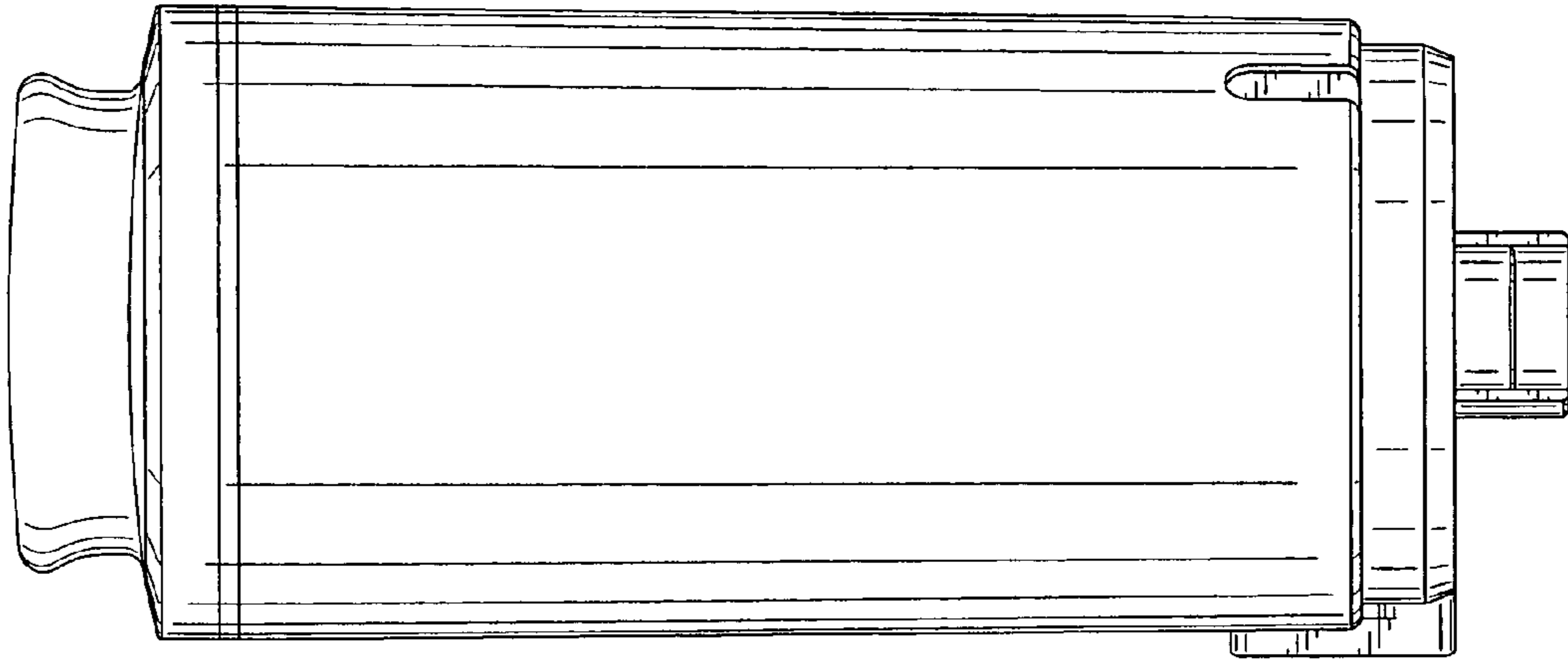


FIG. 6

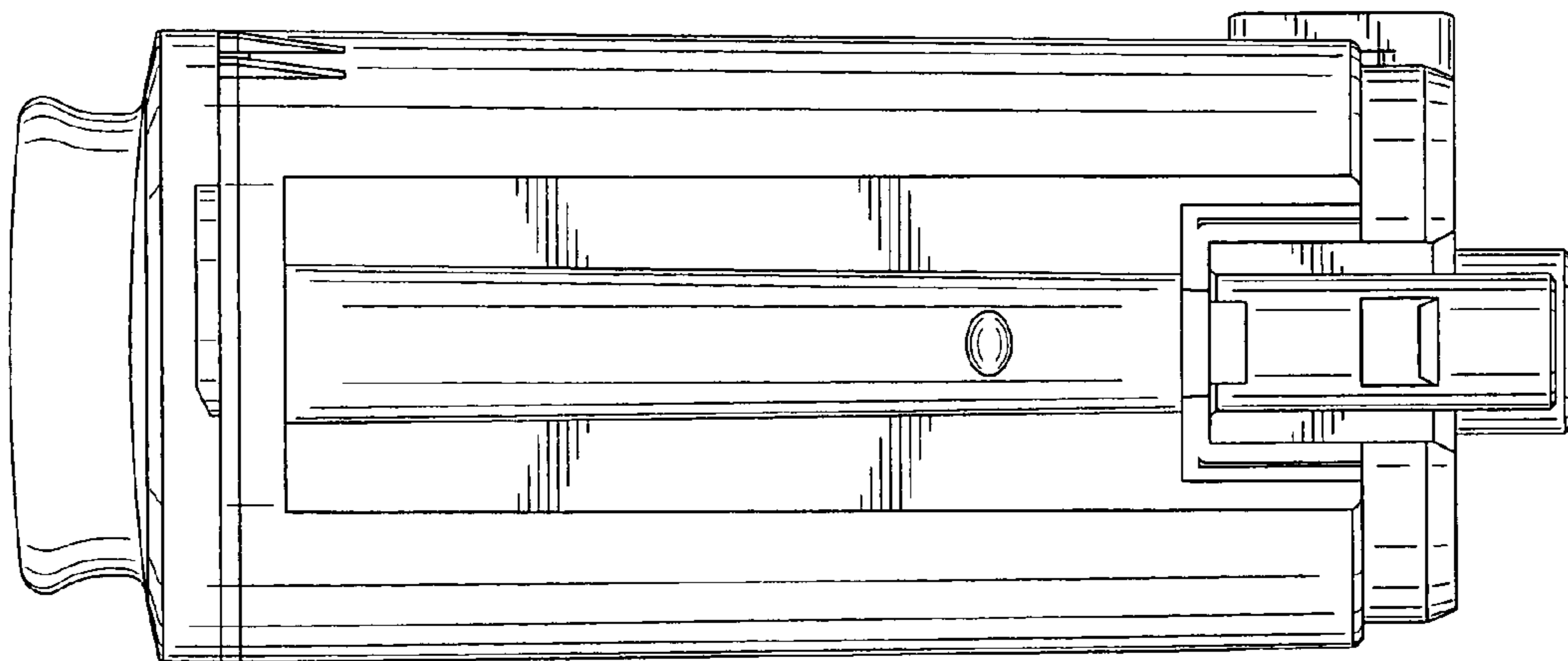


FIG. 7