



US00D583859S

(12) **United States Design Patent**
Holderfield et al.

(10) **Patent No.:** **US D583,859 S**
(45) **Date of Patent:** **** Dec. 30, 2008**

(54) **SHREDDER**

D557,735 S * 12/2007 Ho D18/34.6
D558,257 S * 12/2007 Joachim et al. D18/34.6

(75) Inventors: **Gregory James Holderfield**, Oak Park, IL (US); **Sebastien J. Labat**, Chicago, IL (US)

OTHER PUBLICATIONS

Color product information pages obtained from Internet: www.jinpex.cn, Jul. 1, 2007, 6 pages.

(73) Assignee: **Fellowes, Inc.**, Itasca, IL (US)

* cited by examiner

(**) Term: **14 Years**

Primary Examiner—Charles A. Rademaker
(74) *Attorney, Agent, or Firm*—Pillsbury Winthrop Shaw Pittman LLP

(21) Appl. No.: **29/298,665**

(22) Filed: **Dec. 10, 2007**

(57) **CLAIM**

(51) **LOC (8) Cl.** **18-04**

The ornamental design for a shredder, as shown and described.

(52) **U.S. Cl.** **D18/34.9**

(58) **Field of Classification Search** D18/34.1–34.9;
241/100, 236, 101.78, 36; 83/613, 614, 623,
83/485, 57–68; 164/468; 30/294, 296.1,
30/275.4, 276; D23/359

DESCRIPTION

See application file for complete search history.

FIG. 1 is a right side perspective view of a shredder showing our new design;

(56) **References Cited**

U.S. PATENT DOCUMENTS

- D454,907 S * 3/2002 Ho D18/34.6
- D455,171 S * 4/2002 Ho D18/34.6
- D502,961 S * 3/2005 Lo D18/34.6
- 6,964,386 B2 * 11/2005 Ho 241/236
- D547,366 S * 7/2007 Kent et al. D18/34.5
- D555,716 S * 11/2007 Chen D18/34.6

FIG. 2 is a left side perspective view thereof;

FIG. 3 is a front elevation thereof;

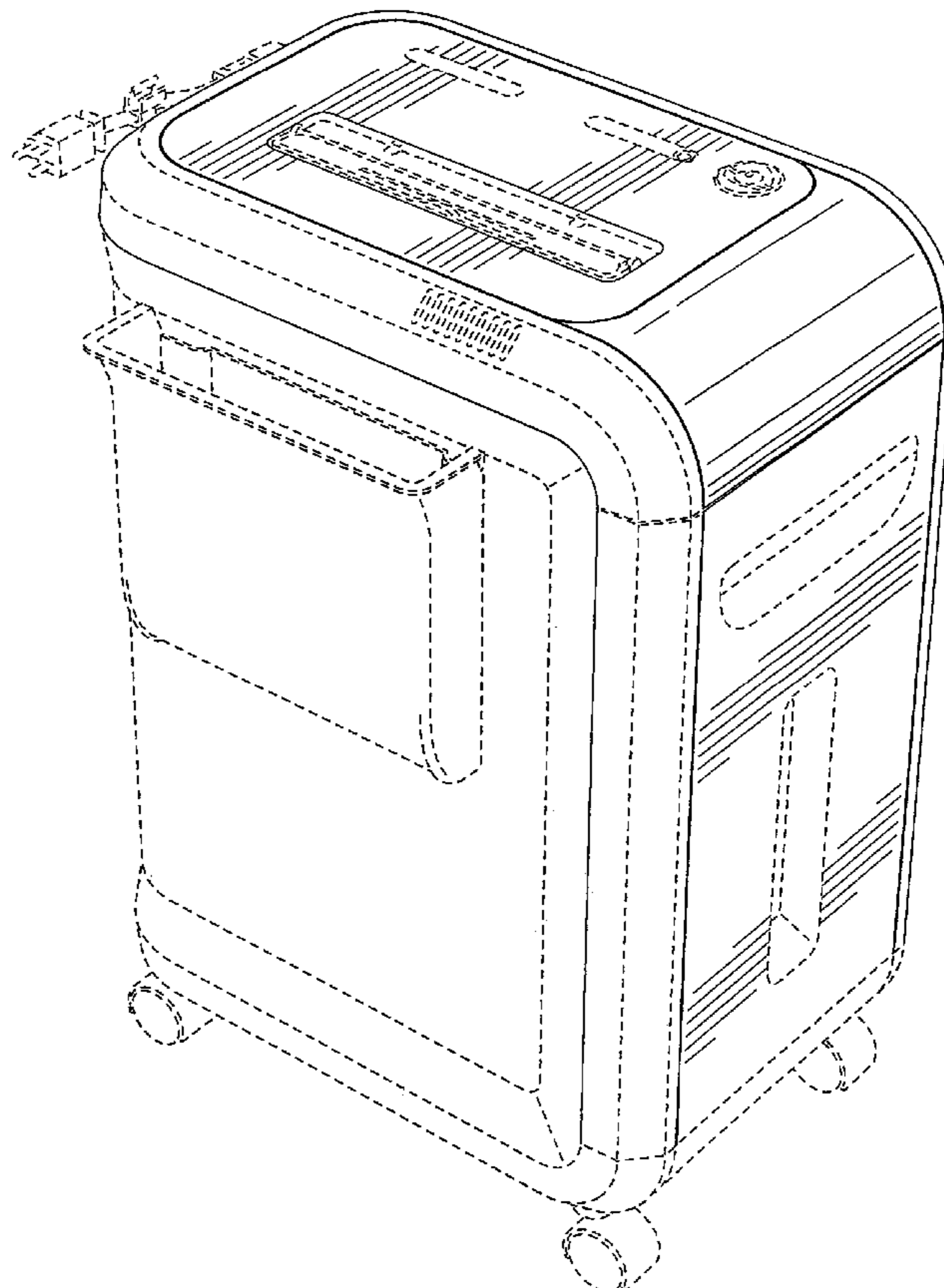
FIG. 4 is a top plan view thereof;

FIG. 5 is a left side elevation thereof; and,

FIG. 6 is a right side elevation thereof.

The broken lines shown in the figure drawings illustrate structural environment and form no part of the claim.

1 Claim, 6 Drawing Sheets



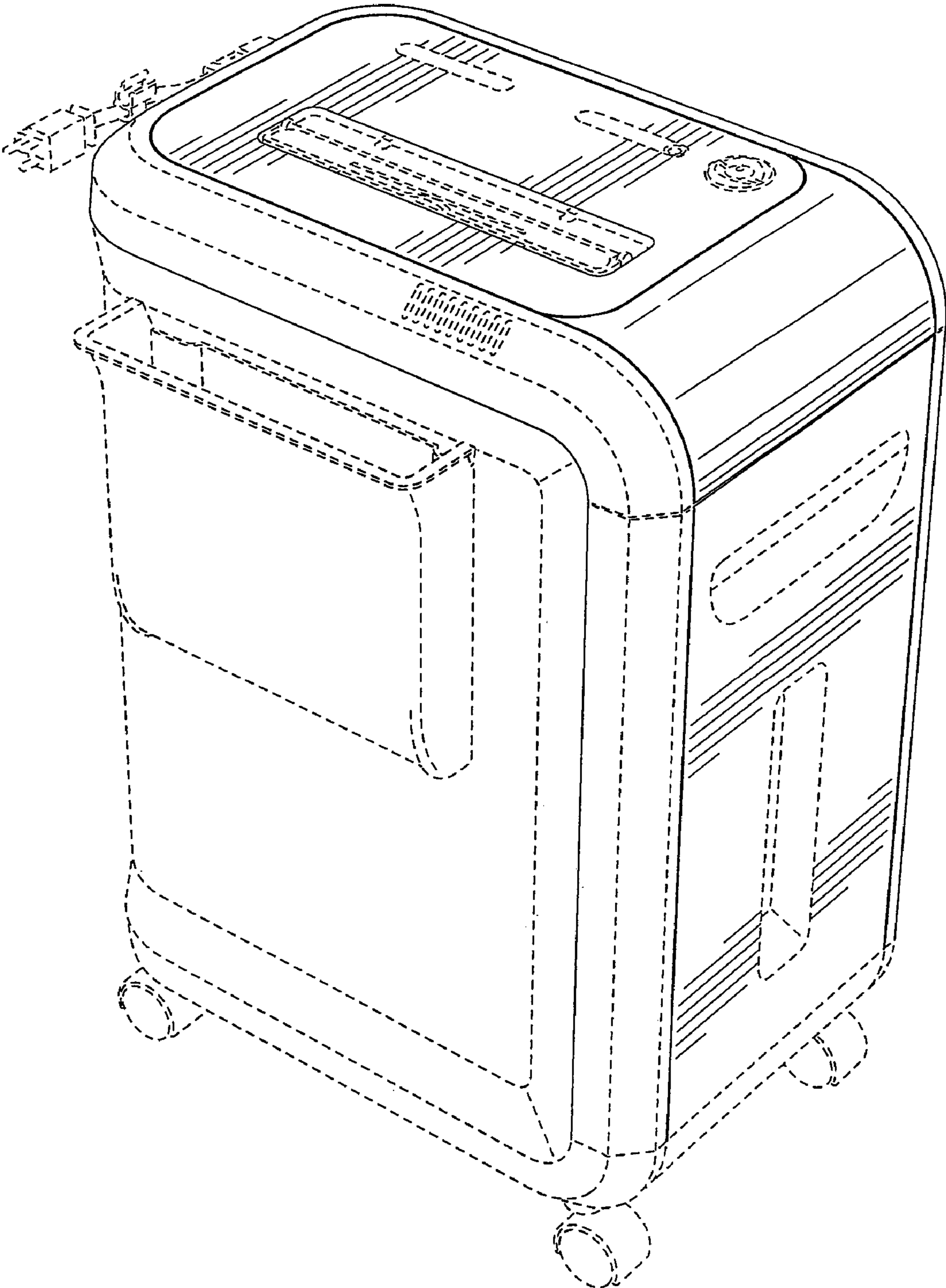


FIG. 1

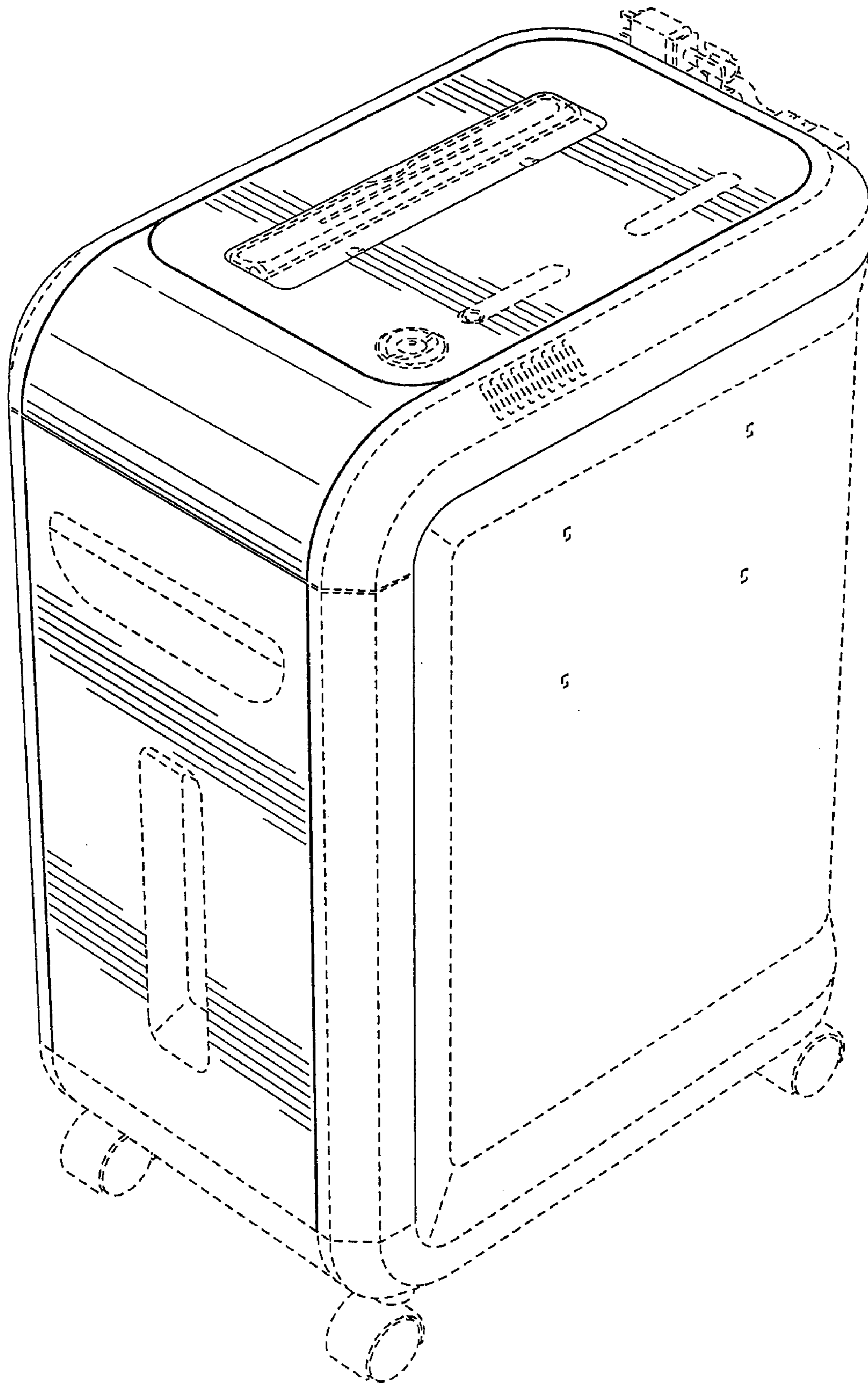


FIG. 2

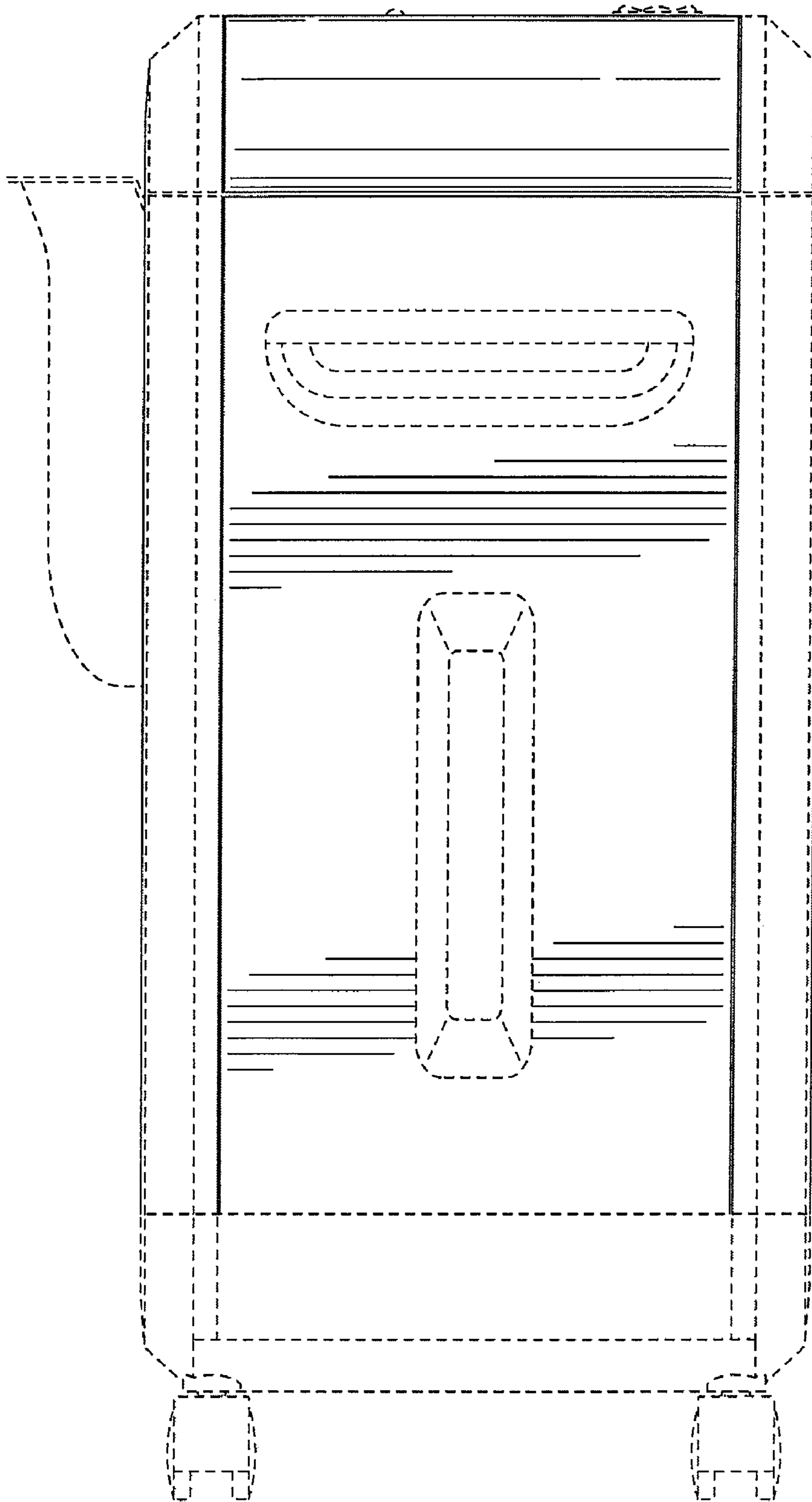


FIG. 3

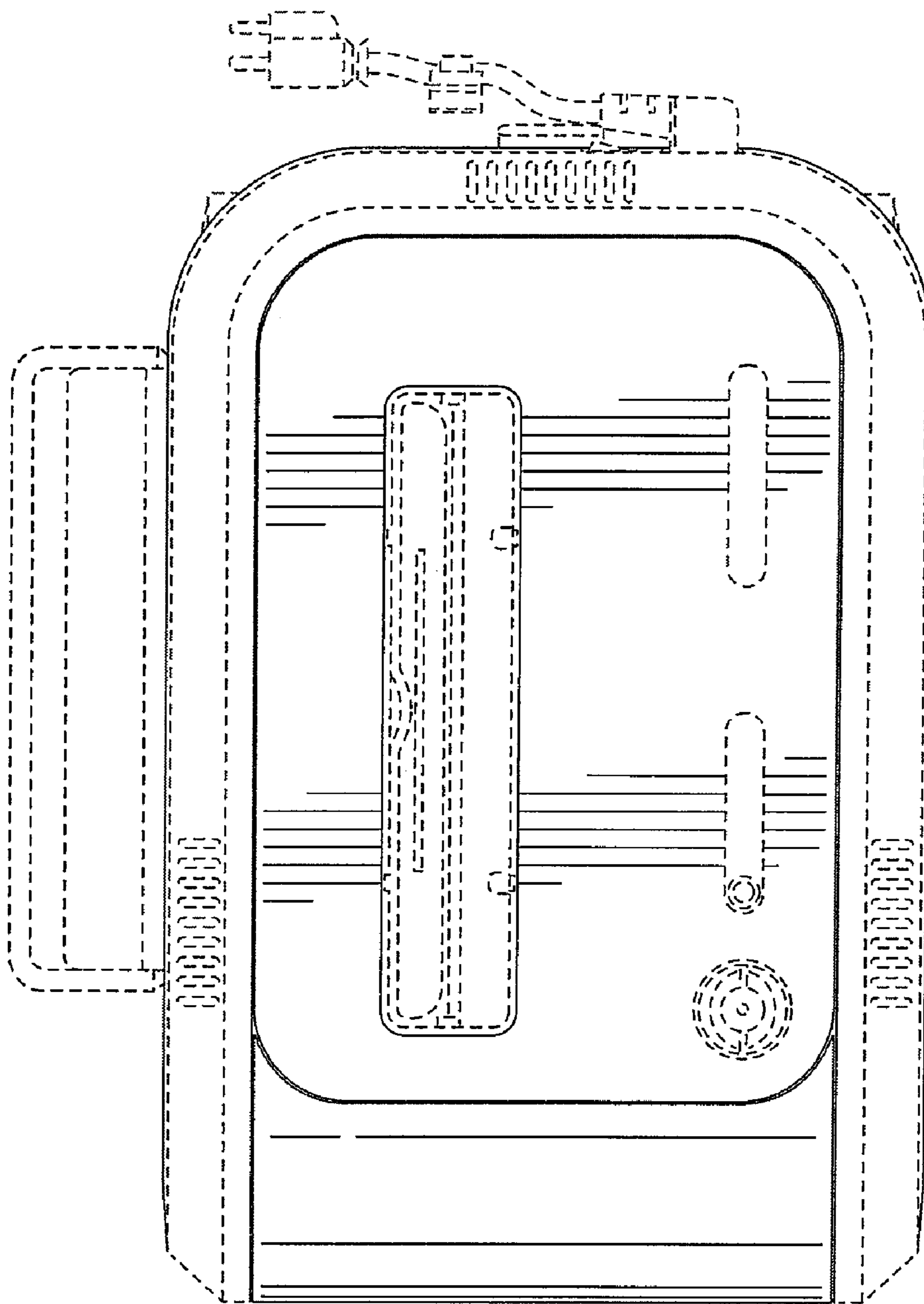


FIG. 4

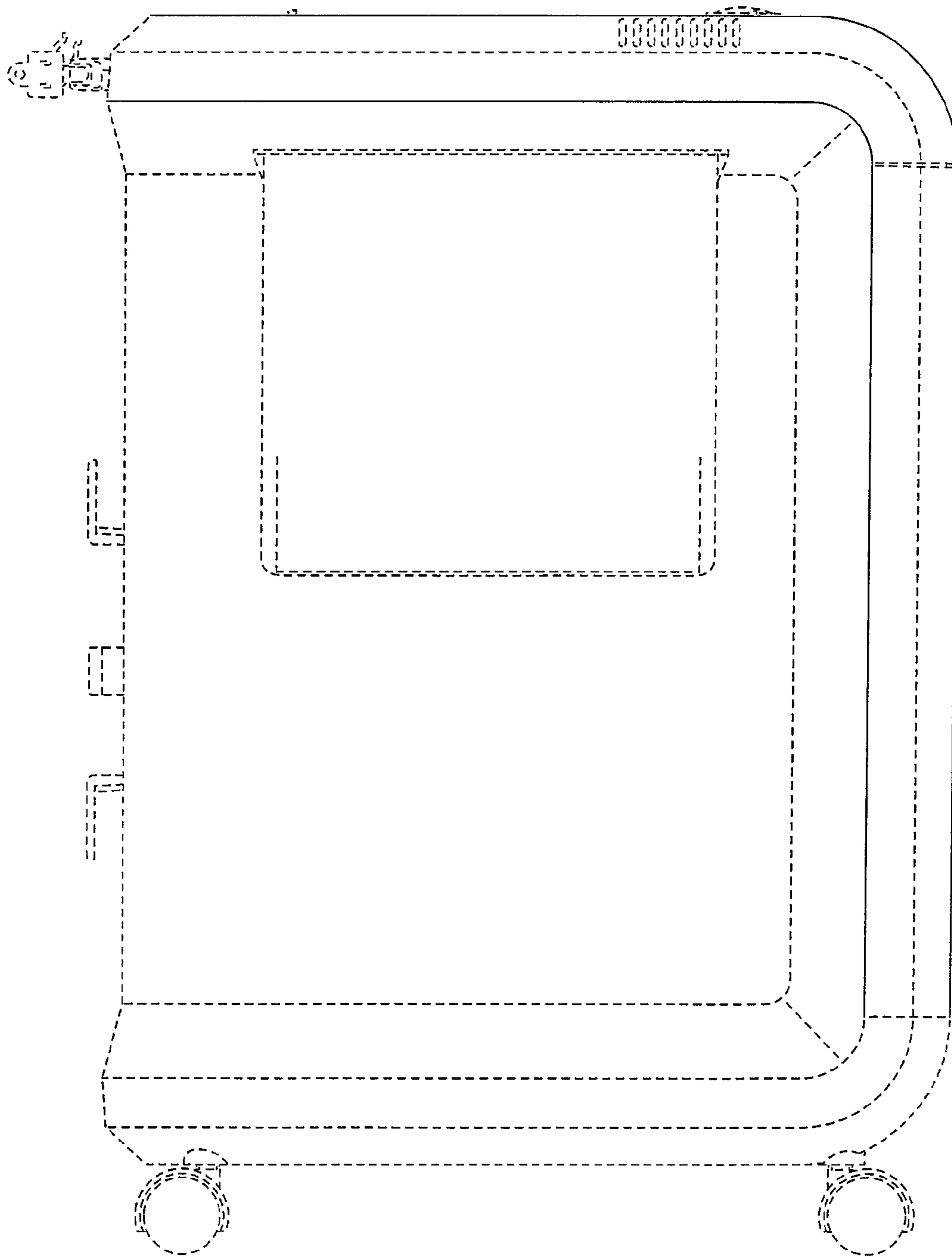


FIG. 5

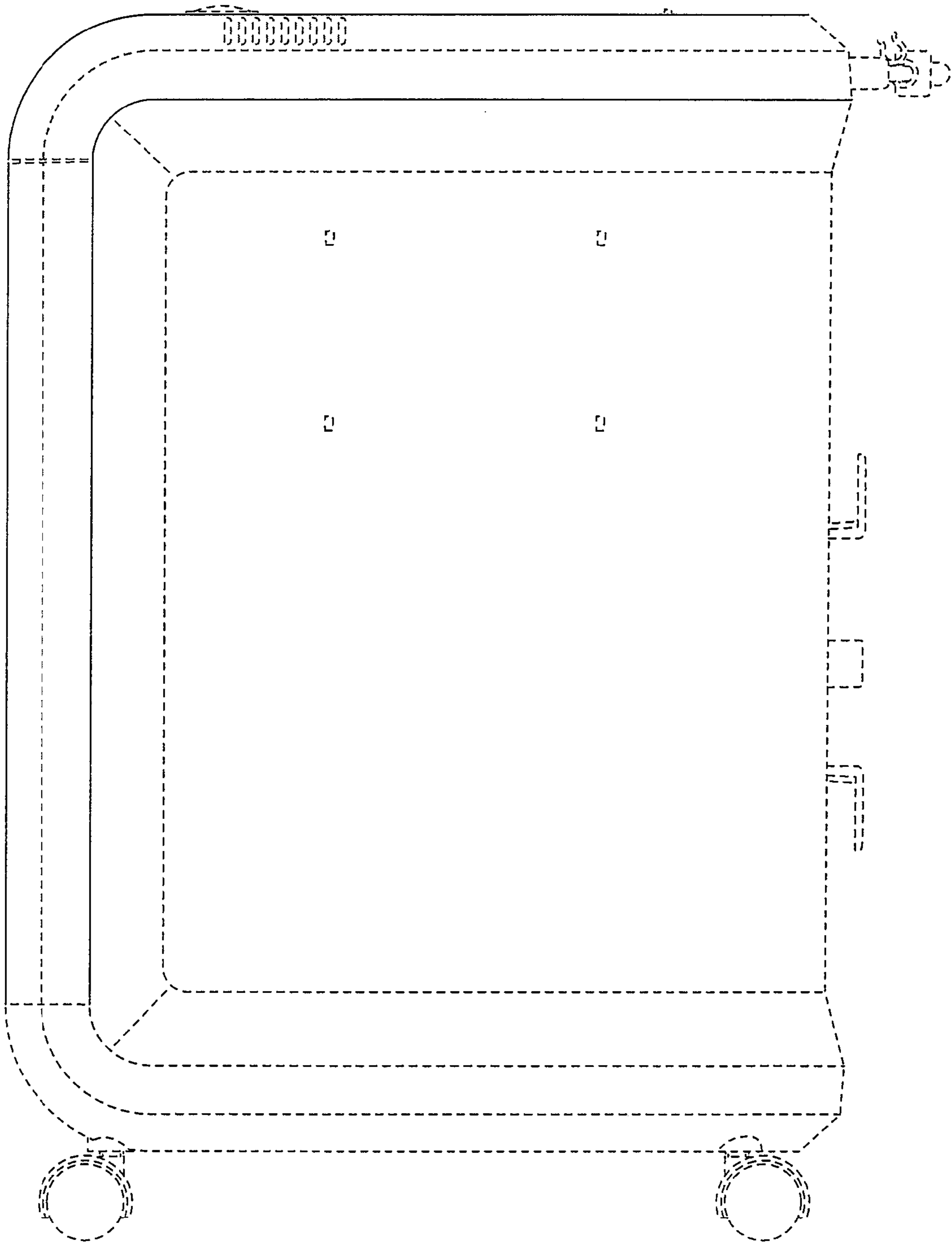


FIG. 6