



US00D583857S

(12) **United States Design Patent**
Shih

(10) **Patent No.:** **US D583,857 S**

(45) **Date of Patent:** **** Dec. 30, 2008**

(54) **STAMP**

(76) Inventor: **Shiny Shih**, No. 31, Lane 349,
Chuncheng S. Rd., Yungkang City,
Tainan Hsien (TW)

(**) Term: **14 Years**

(21) Appl. No.: **29/290,729**

(22) Filed: **Jan. 8, 2008**

(51) **LOC (8) Cl.** **19-02**

(52) **U.S. Cl.** **D18/15**

(58) **Field of Classification Search** D18/15,
D18/16, 17, 18, 50; 101/333, 334, 327, 328,
101/352.07, 405, 406; 118/264, 268
See application file for complete search history.

(56) **References Cited**

U.S. PATENT DOCUMENTS

3,402,663	A *	9/1968	Funahashi	101/327
D367,290	S *	2/1996	Sculler et al.	D18/15
D425,546	S *	5/2000	Lee	D18/15
D427,233	S *	6/2000	Faber	D18/15
6,189,450	B1 *	2/2001	Shih	101/327
D444,808	S *	7/2001	Dour et al.	D18/15
D451,945	S *	12/2001	MacNeil et al.	D18/15
D452,262	S *	12/2001	MacNeil et al.	D18/15
D492,957	S *	7/2004	Wei	D18/15
D493,191	S *	7/2004	Sculler et al.	D18/15
D493,192	S *	7/2004	Sculler et al.	D18/15
6,834,584	B1 *	12/2004	MacNeil	101/333
6,945,172	B1 *	9/2005	Shih	101/333

D513,037	S *	12/2005	Faber	D18/15
D518,087	S *	3/2006	Shih	D18/15
D518,506	S *	4/2006	Faber	D18/15
7,096,785	B2 *	8/2006	Petersen	101/333
D538,840	S *	3/2007	Shih	D18/15
D539,836	S *	4/2007	Faber	D18/15
D545,352	S *	6/2007	Treml	D18/15
D545,353	S *	6/2007	Treml	D18/15
7,334,521	B2 *	2/2008	Moody	101/333
D568,381	S *	5/2008	Shih	D18/15
7,389,727	B2 *	6/2008	Faber	101/334

* cited by examiner

Primary Examiner—Charles A. Rademaker

(74) *Attorney, Agent, or Firm*—HersHKovitz & Associates,
LLC; Abraham HersHKovitz

(57) **CLAIM**

The ornamental design for a stamp, as shown and described.

DESCRIPTION

FIG. 1 is a perspective view of a stamp, showing my new design;

FIG. 2 is a front view thereof;

FIG. 3 is a rear view thereof;

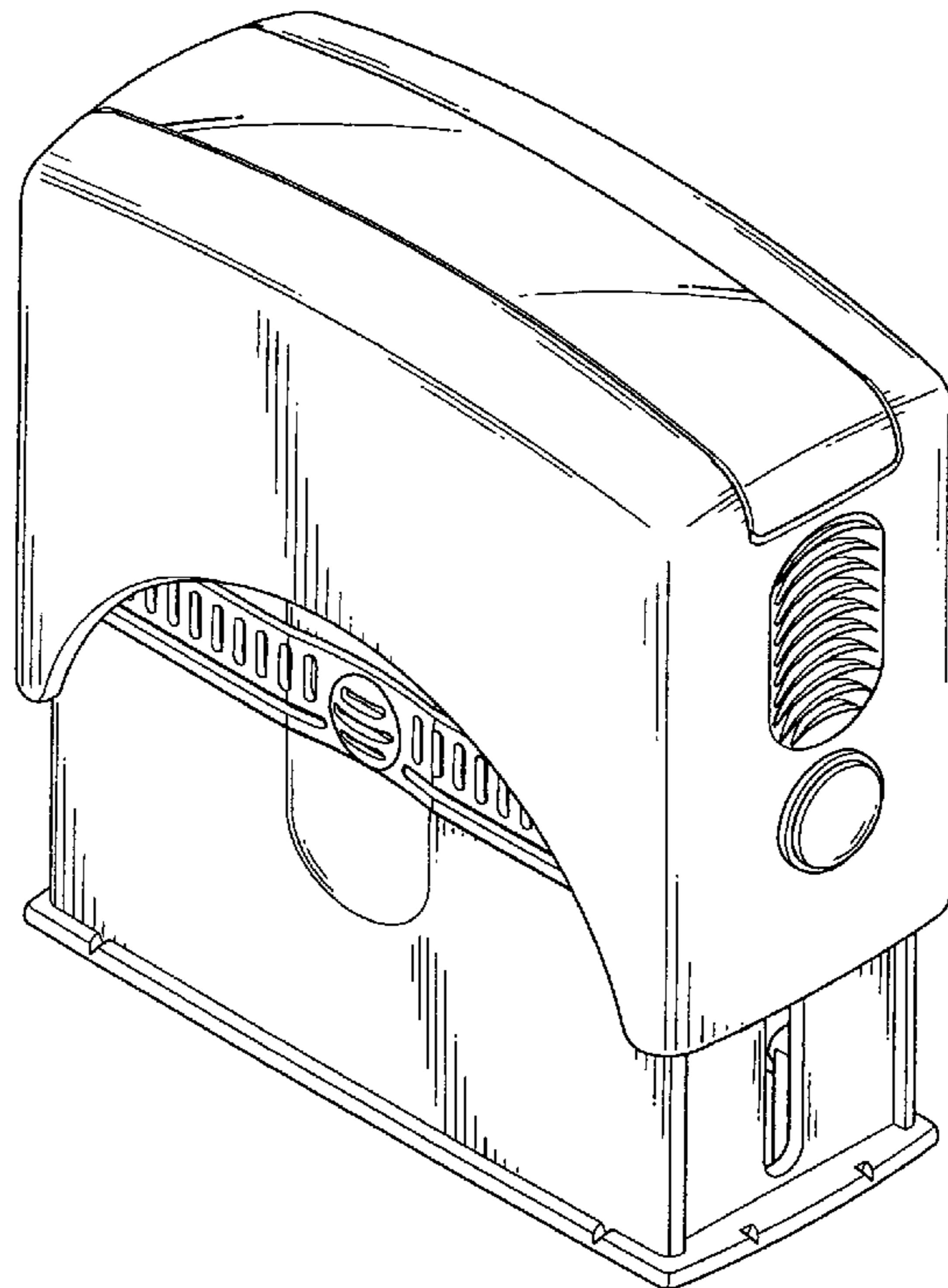
FIG. 4 is a left view thereof;

FIG. 5 is a right view thereof;

FIG. 6 is a top view thereof; and,

FIG. 7 is a bottom view thereof.

1 Claim, 5 Drawing Sheets



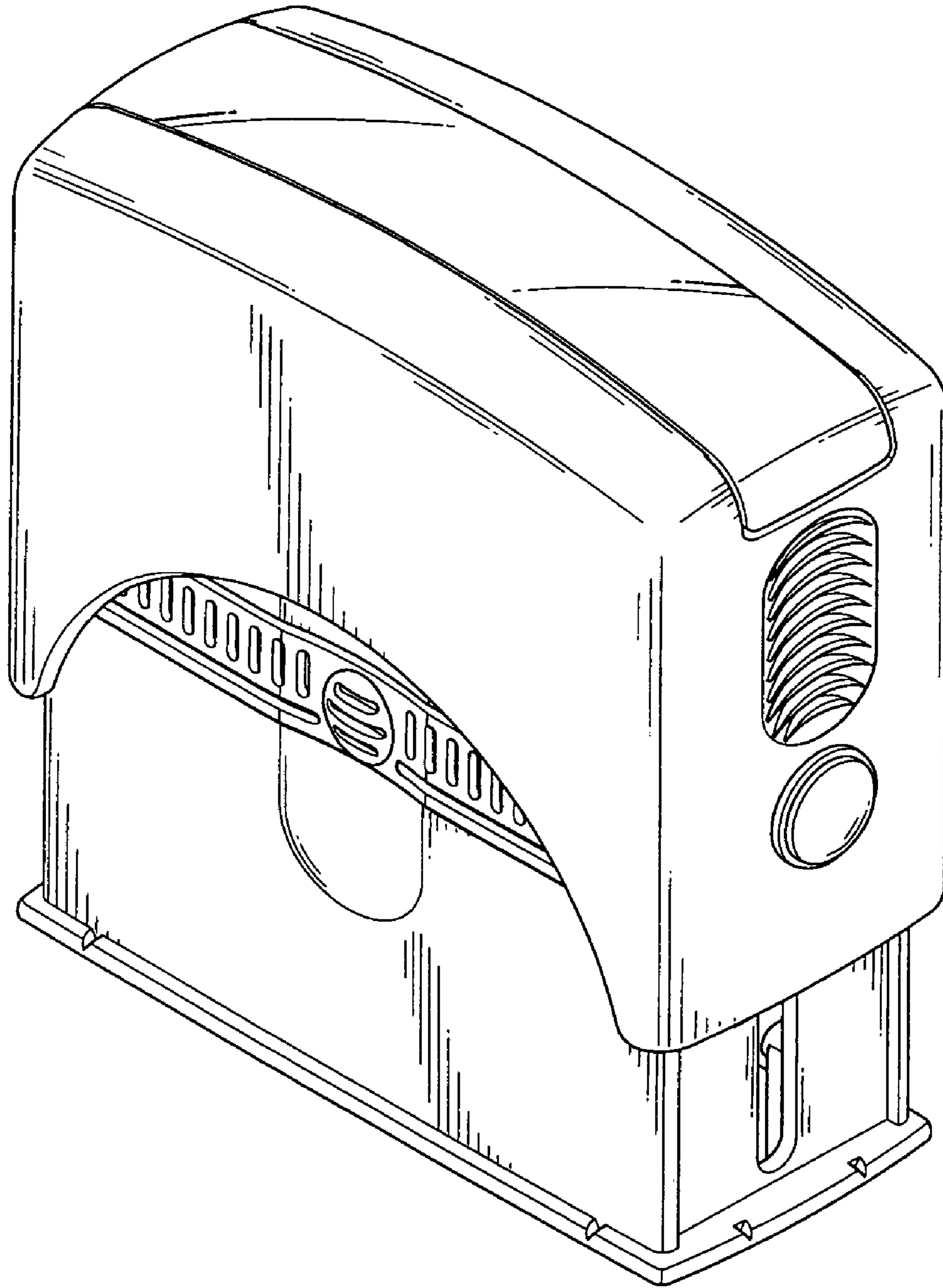


FIG. 1

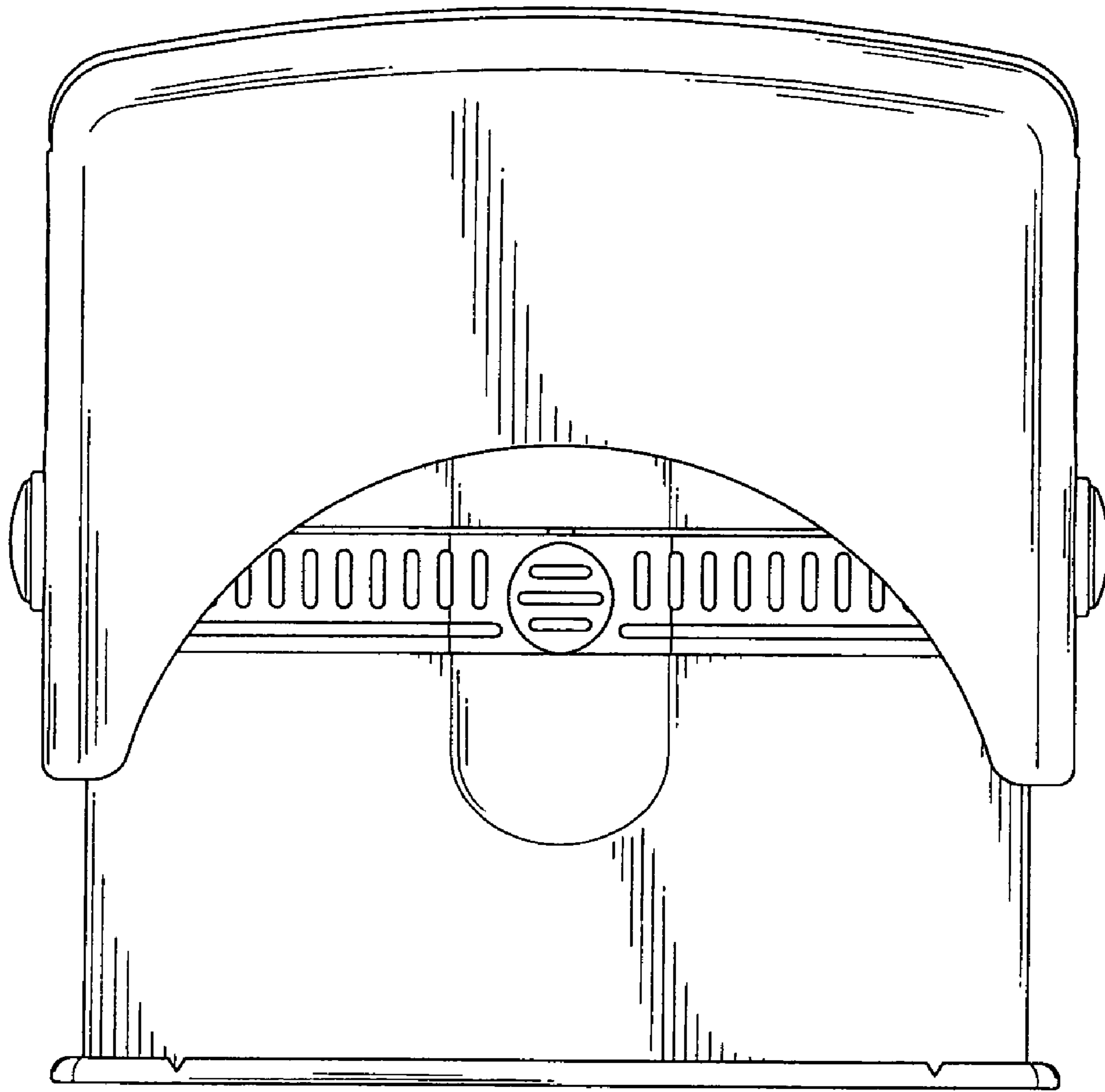


FIG.2

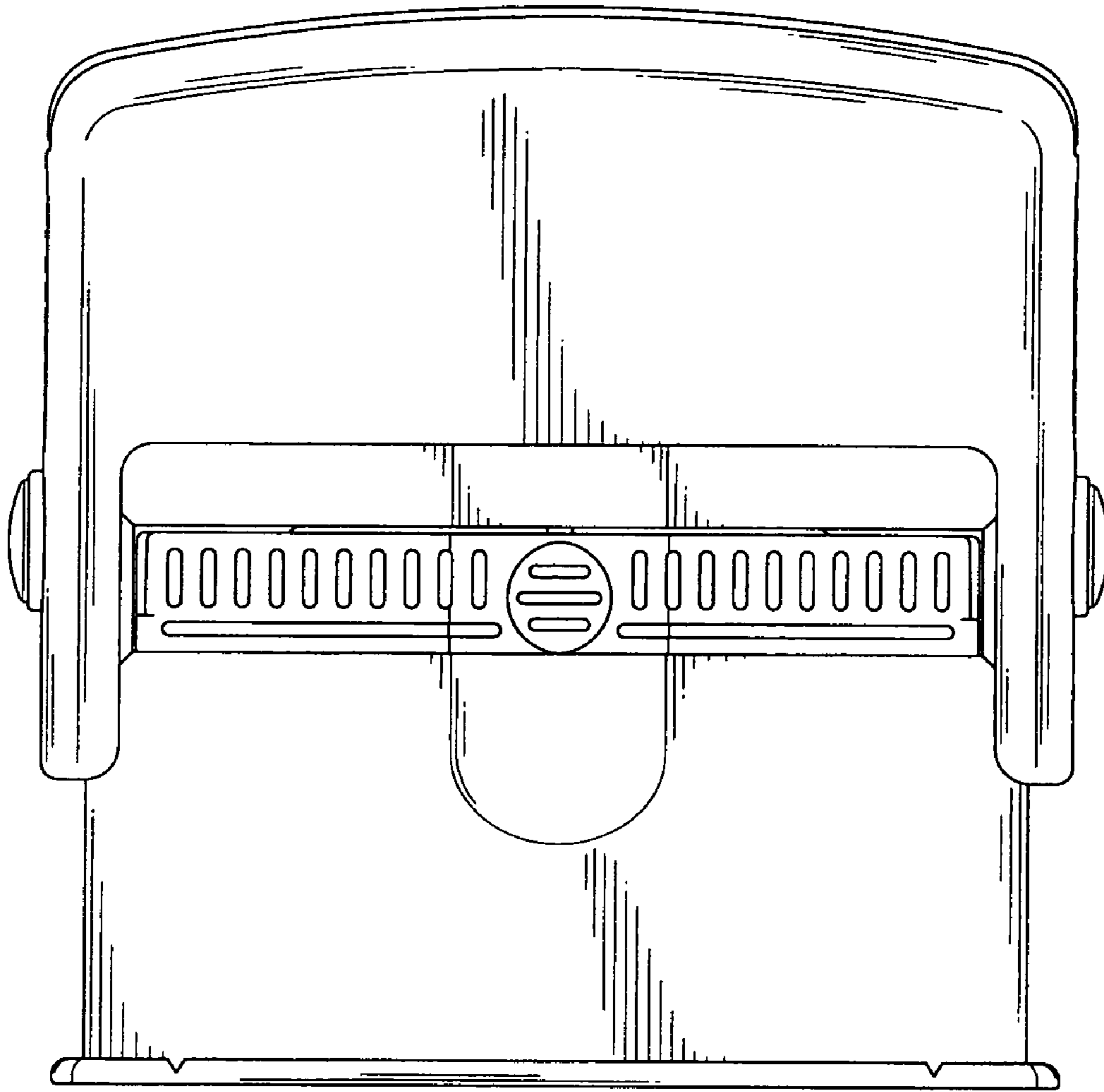


FIG.3

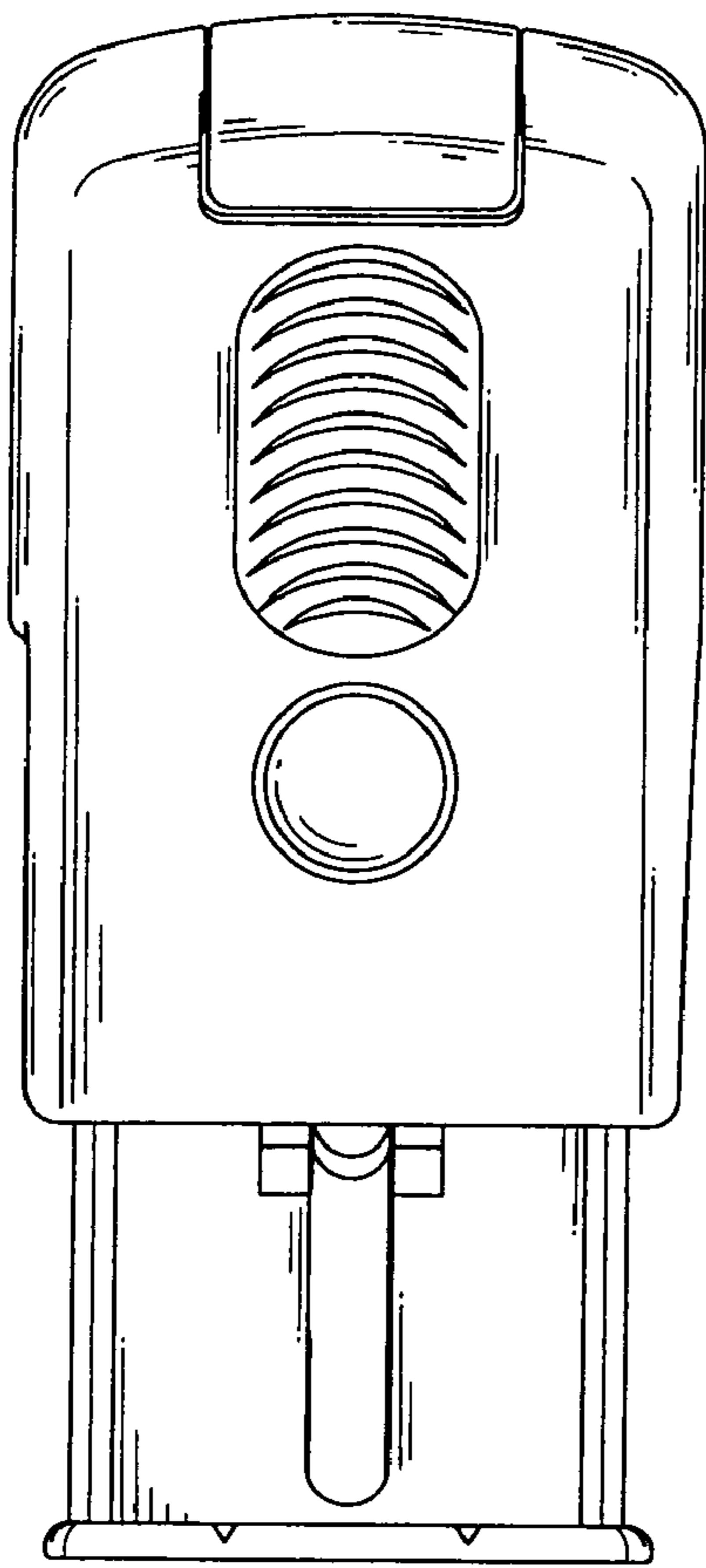


FIG. 4

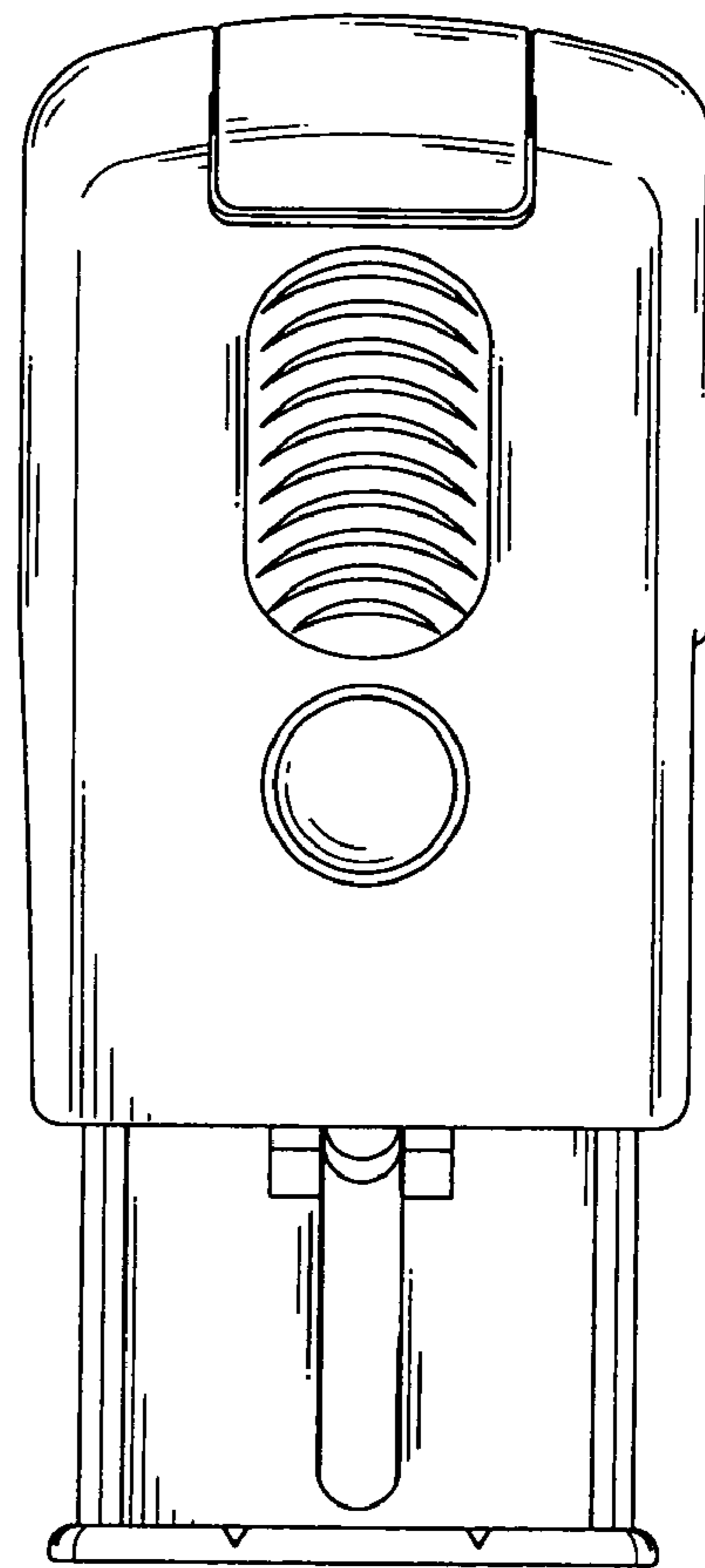


FIG. 5

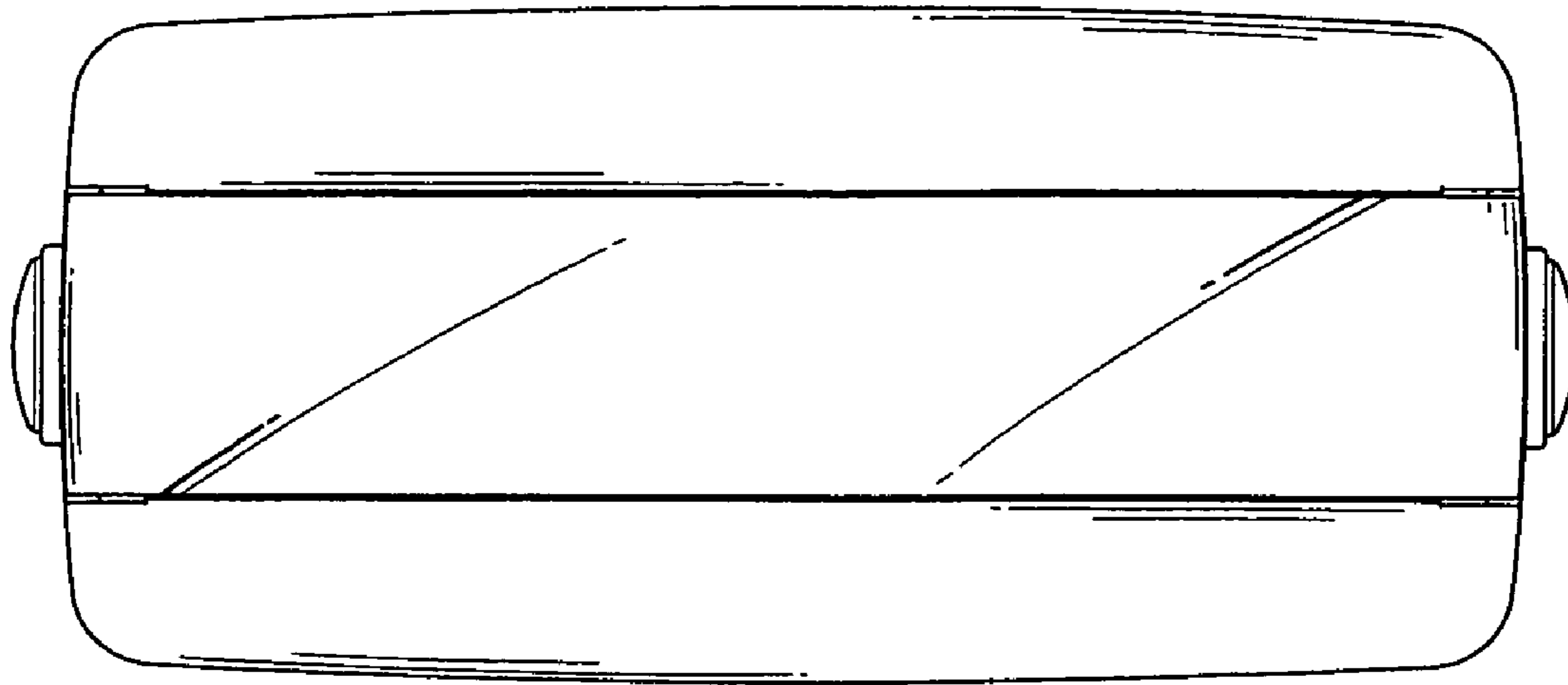


FIG. 6

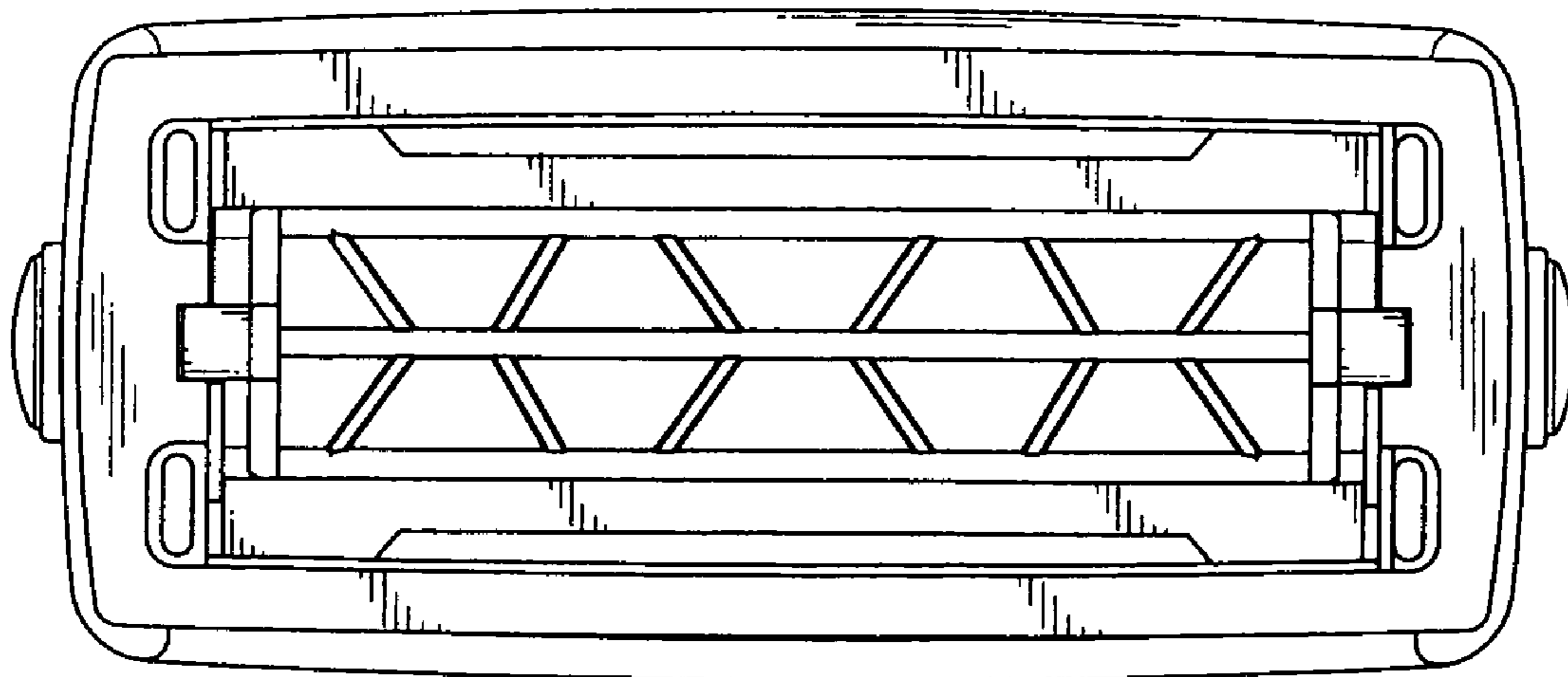


FIG. 7