



US00D583855S

(12) **United States Design Patent**
Oas

(10) **Patent No.:** **US D583,855 S**
(45) **Date of Patent:** **** Dec. 30, 2008**

(54) **CALCULATOR**

(76) **Inventor:** **Daniel Oas**, 6250 N. Irwindale Ave.,
Irwindale, CA (US) 91702

(**) **Term:** **14 Years**

(21) **Appl. No.:** **29/308,242**

(22) **Filed:** **Jun. 4, 2008**

(51) **LOC (8) Cl.** **18-01**

(52) **U.S. Cl.** **D18/7**

(58) **Field of Classification Search** D14/191,
D14/218, 314-347, 383, 387, 388, 496; D18/1,
D18/2, 4.4, 4.5, 6-12, 12.1, 12.2, 12.3; D21/512;
235/58 R, 59 A, 59 BC, 59 BD, 59 BE, 59 BF,
235/59 BG, 59 BH, 59 CP, 59 T, 59 TP, 61 R;
708/100, 105, 130

See application file for complete search history.

(56) **References Cited**

U.S. PATENT DOCUMENTS

D154,849 S * 8/1949 Hertz D18/1
D293,714 S * 1/1988 Jih D18/6
D464,990 S * 10/2002 Bodum D18/7
D506,476 S * 6/2005 Andre et al. D14/496
D516,576 S * 3/2006 Ive et al. D14/496
D521,500 S * 5/2006 Sass D14/218

D544,522 S * 6/2007 Chow D18/7
D564,016 S * 3/2008 Oas D18/7
D564,017 S * 3/2008 Wang D18/7
D566,751 S * 4/2008 Wang D18/7
D570,875 S * 6/2008 Sheba et al. D14/496

* cited by examiner

Primary Examiner—Caron Veynar

Assistant Examiner—Garth Rademaker

(74) *Attorney, Agent, or Firm*—Edgar W. Averill, Jr.; Kenneth
L. Green

(57) **CLAIM**

The ornamental design for a calculator, as shown and
described.

DESCRIPTION

FIG. 1 is a front, bottom, right side perspective view of a
calculator, showing my new design;

FIG. 2 is a front elevation view thereof;

FIG. 3 is a left side elevation view thereof;

FIG. 4 is a bottom plan view thereof; and,

FIG. 5 is a rear elevation view thereof.

The broken lines depict environmental subject matter only
and form no part of the claimed design.

1 Claim, 2 Drawing Sheets

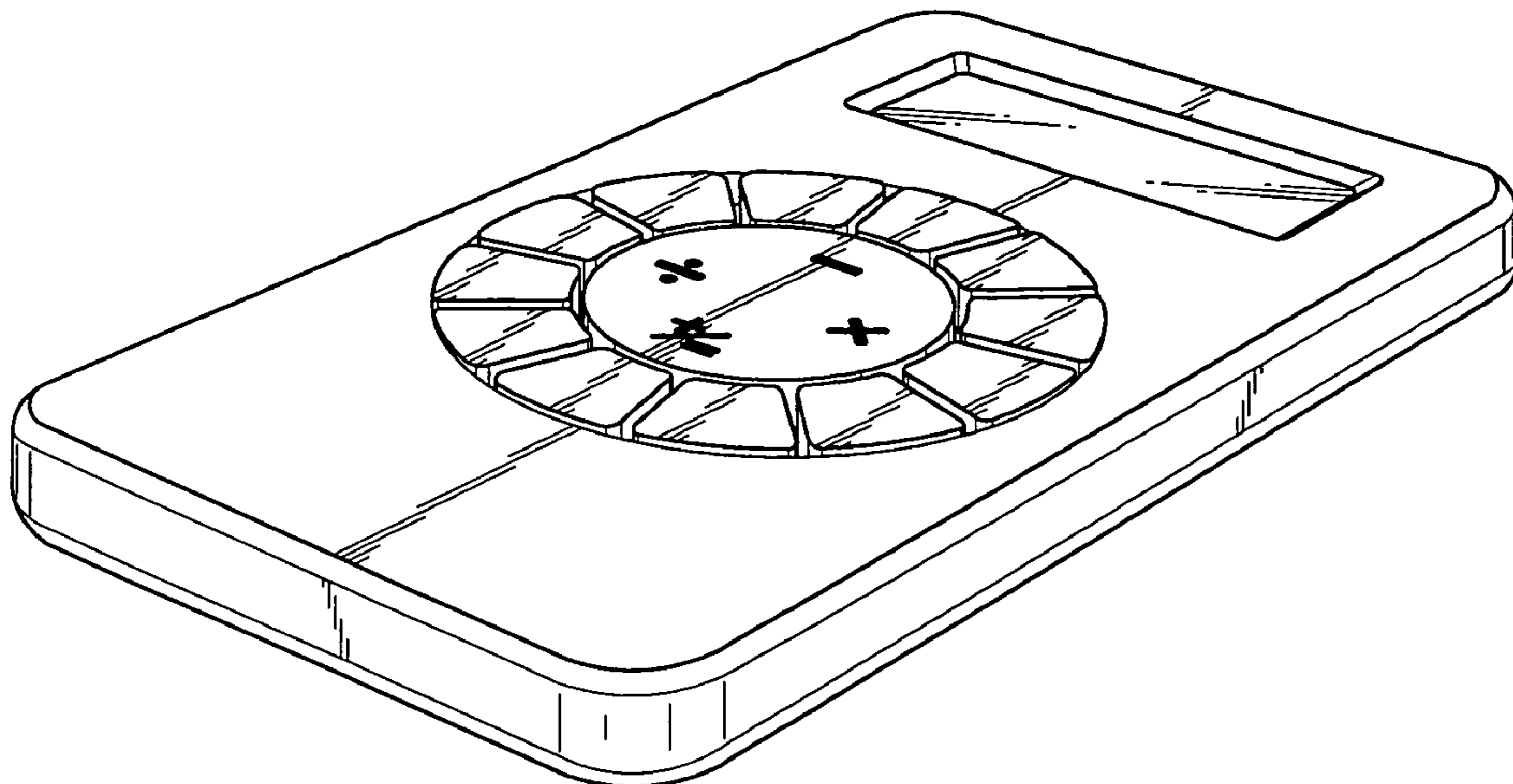


FIG. 1

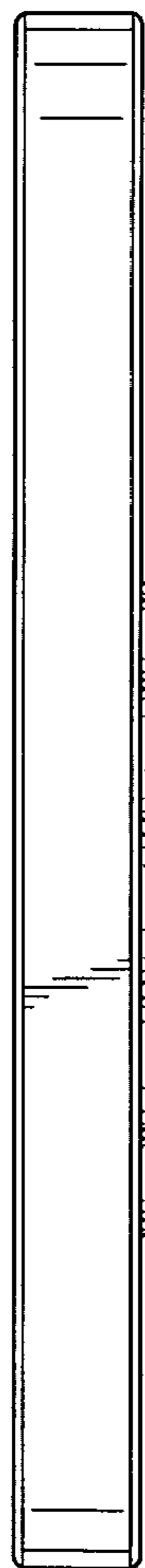
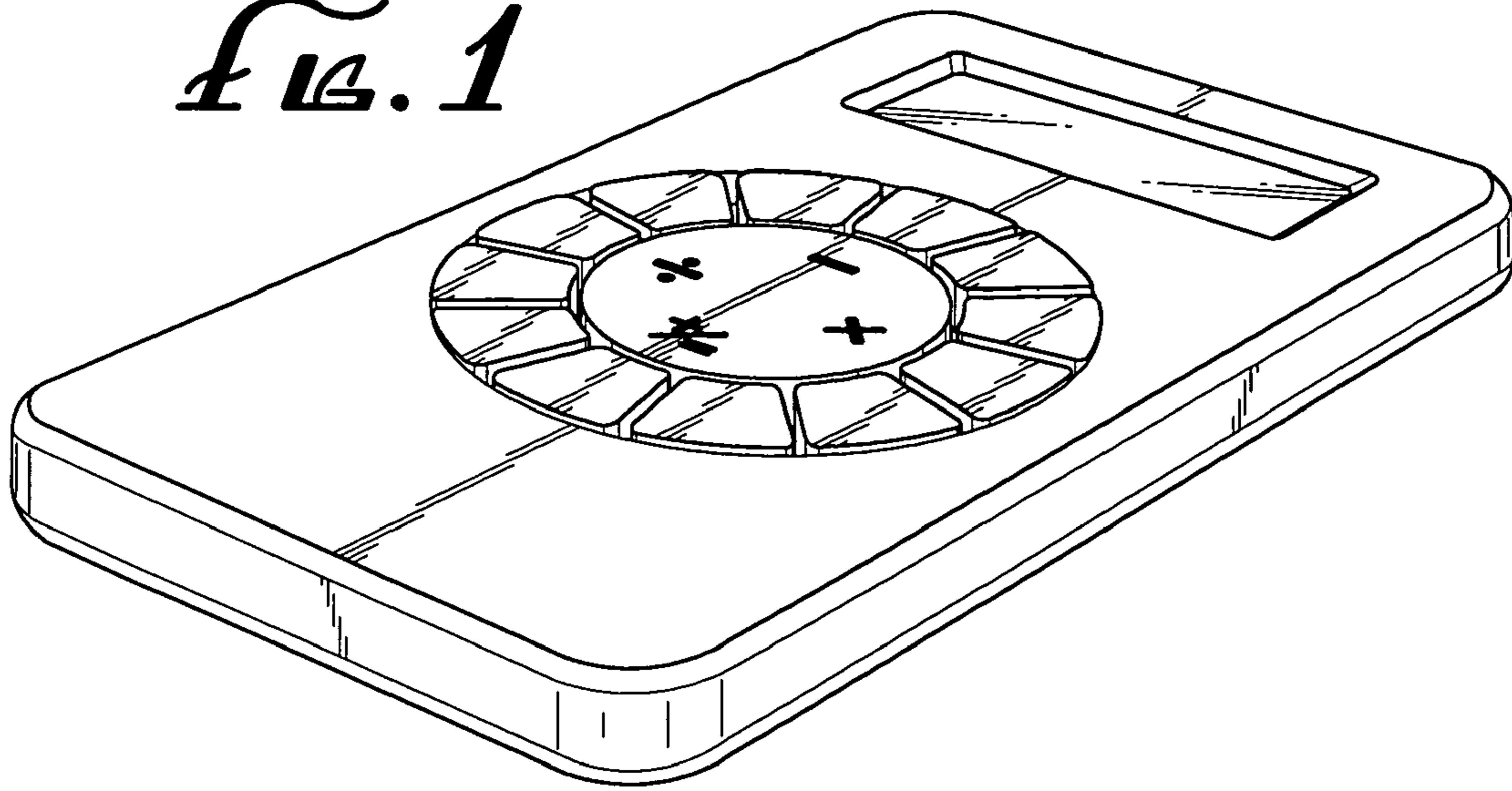


FIG. 3

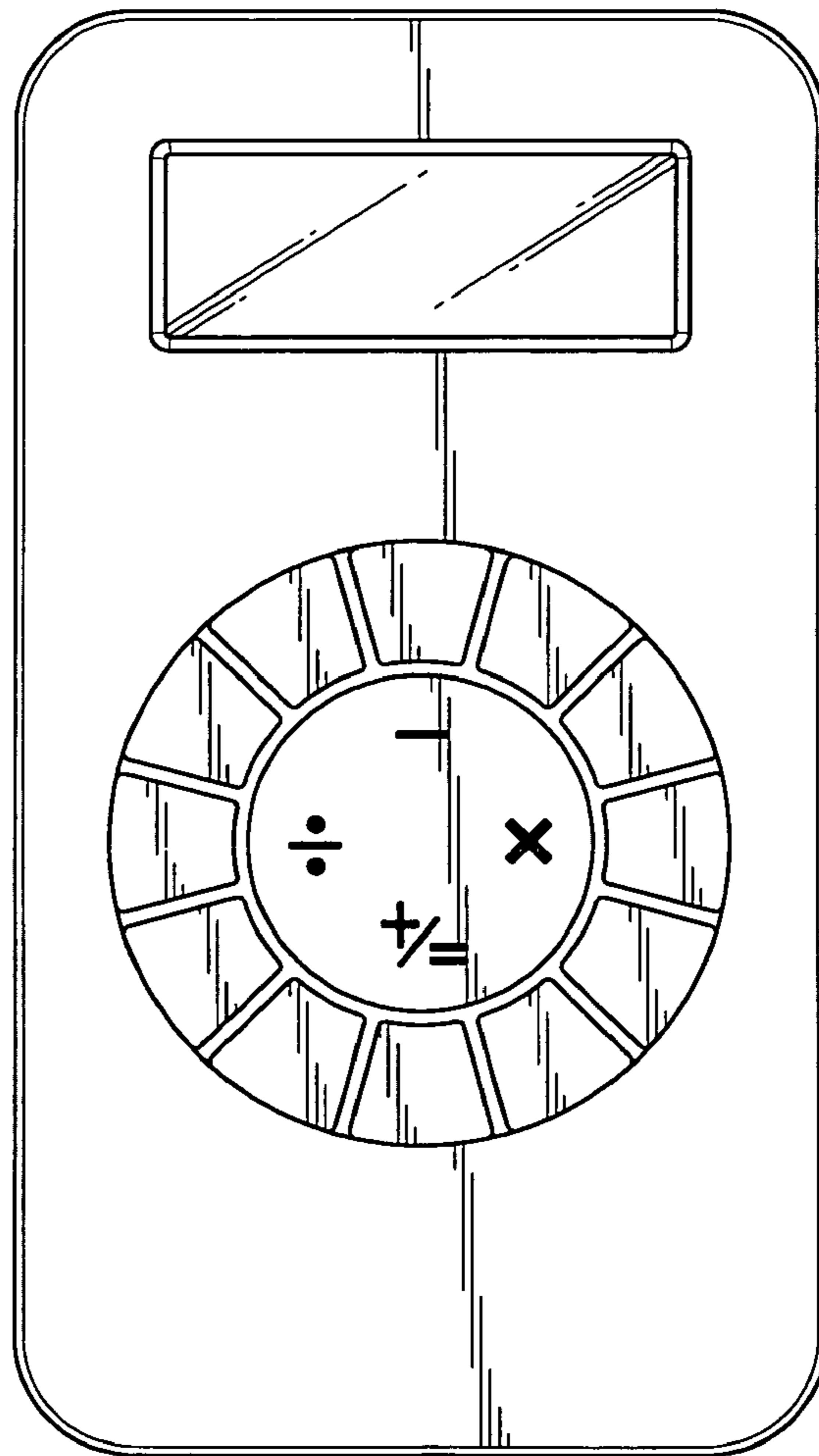


FIG. 2

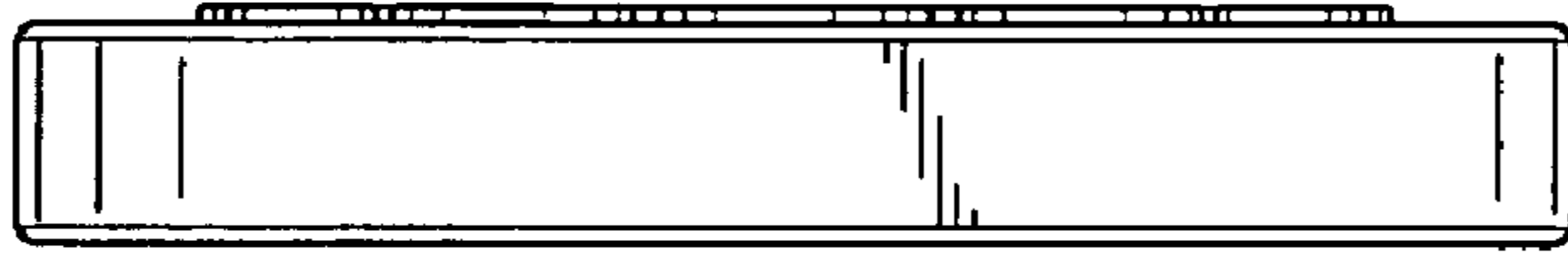


FIG. 4

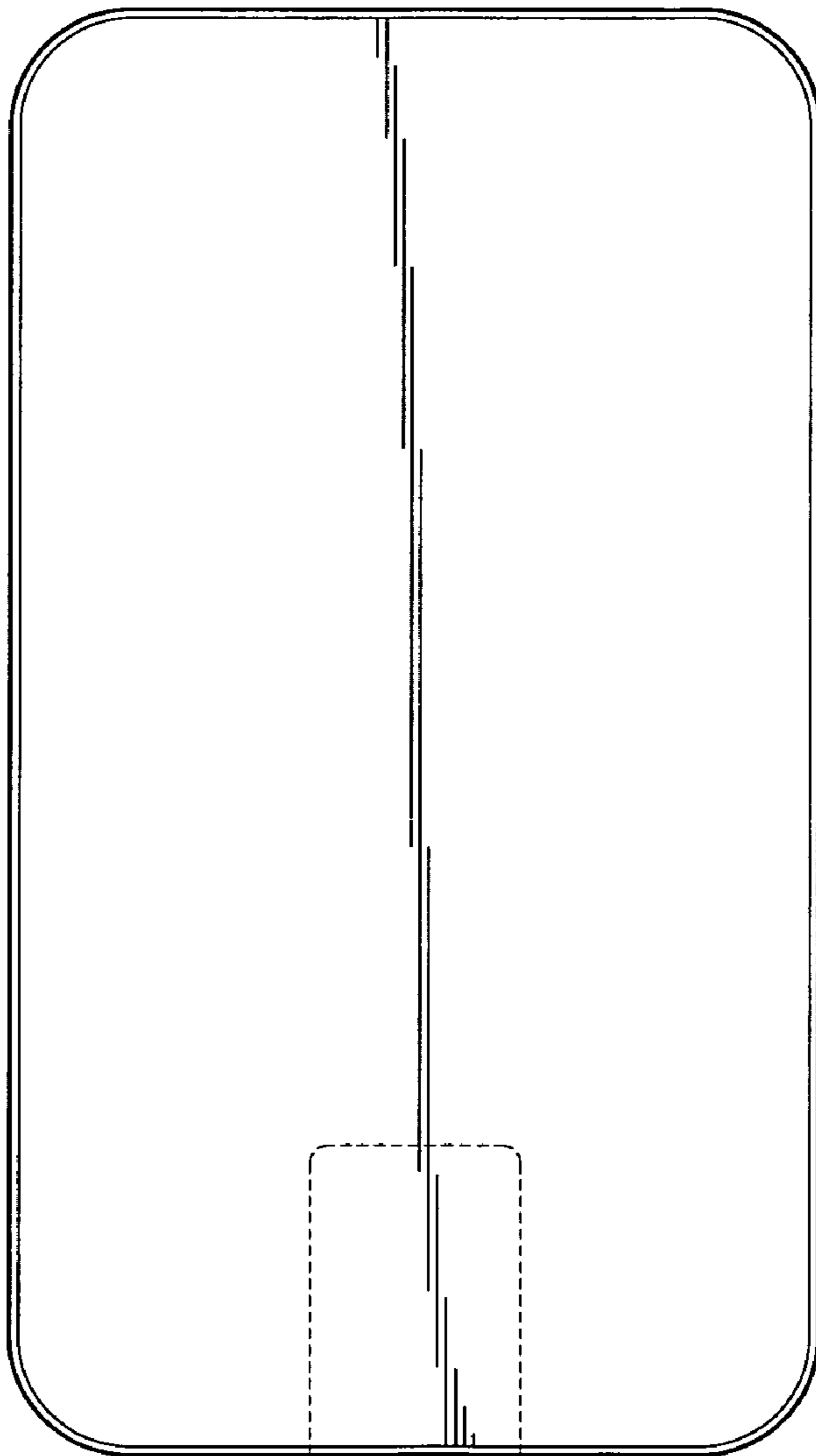


FIG. 5