

US00D583850S

(12) **United States Design Patent**  
**Jabali**

(10) **Patent No.:** **US D583,850 S**  
(45) **Date of Patent:** **\*\* Dec. 30, 2008**

(54) **COMBINATION BINOCULAR, EYEGLASSES,  
AND ADJUSTABLE HEADBAND ASSEMBLY**

(76) Inventor: **Waleed Jabali**, 347 W. 77th St., Los Angeles, CA (US) 90003

(\*\*) Term: **14 Years**

(21) Appl. No.: **29/299,035**

(22) Filed: **Dec. 18, 2007**

(51) **LOC (8) Cl.** ..... **16-06**

(52) **U.S. Cl.** ..... **D16/309; D16/311**

(58) **Field of Classification Search** ..... D16/135,  
D16/300, 309; D2/866; D29/103; 351/57,  
351/158; 359/399, 409, 411; 362/103, 105,  
362/398; 434/226

See application file for complete search history.

(56) **References Cited**

**U.S. PATENT DOCUMENTS**

2,024,322	A	12/1935	Wittig	
3,350,552	A *	10/1967	Lawrence	362/105
D333,828	S	3/1993	Baldassarre	
5,331,357	A *	7/1994	Cooley et al.	351/158
5,381,263	A *	1/1995	Nowak et al.	359/411
D374,114	S *	10/1996	Arroyo et al.	D2/866
5,667,291	A *	9/1997	Caplan et al.	362/105
D458,287	S *	6/2002	Huang	D16/135
6,488,373	B1 *	12/2002	Feinbloom et al.	351/57
6,493,136	B2 *	12/2002	Chang et al.	359/399
D473,975	S *	4/2003	Batts	D29/103
6,554,444	B2 *	4/2003	Shimada et al.	362/103
6,609,913	B1 *	8/2003	Batts	434/226
D483,779	S *	12/2003	Huang	D16/135

6,667,832	B2 *	12/2003	Caplan et al.	359/409
6,955,444	B2 *	10/2005	Gupta	362/105
D513,032	S *	12/2005	Diamantidis	D16/300
D536,486	S *	2/2007	Himmele	D29/103
7,281,826	B2 *	10/2007	Huang	362/398
7,303,303	B1 *	12/2007	Haynes et al.	362/105
2005/0128735	A1 *	6/2005	Atkins et al.	362/105
2007/0153501	A1 *	7/2007	Kinsman et al.	362/105

\* cited by examiner

*Primary Examiner*—Robert M Spear

*Assistant Examiner*—Barbara B Lohr

(74) *Attorney, Agent, or Firm*—Crossley Parent Law; Mark A. Crossley

(57) **CLAIM**

The ornamental design for a combination binocular, eye-glasses, and adjustable headband assembly, as shown and described.

**DESCRIPTION**

FIG. 1 is a top plan view of a combination binocular, eye-glasses, and adjustable headband assembly showing my new design;

FIG. 2 is a bottom plan view thereof;

FIG. 3 is a left elevational view thereof;

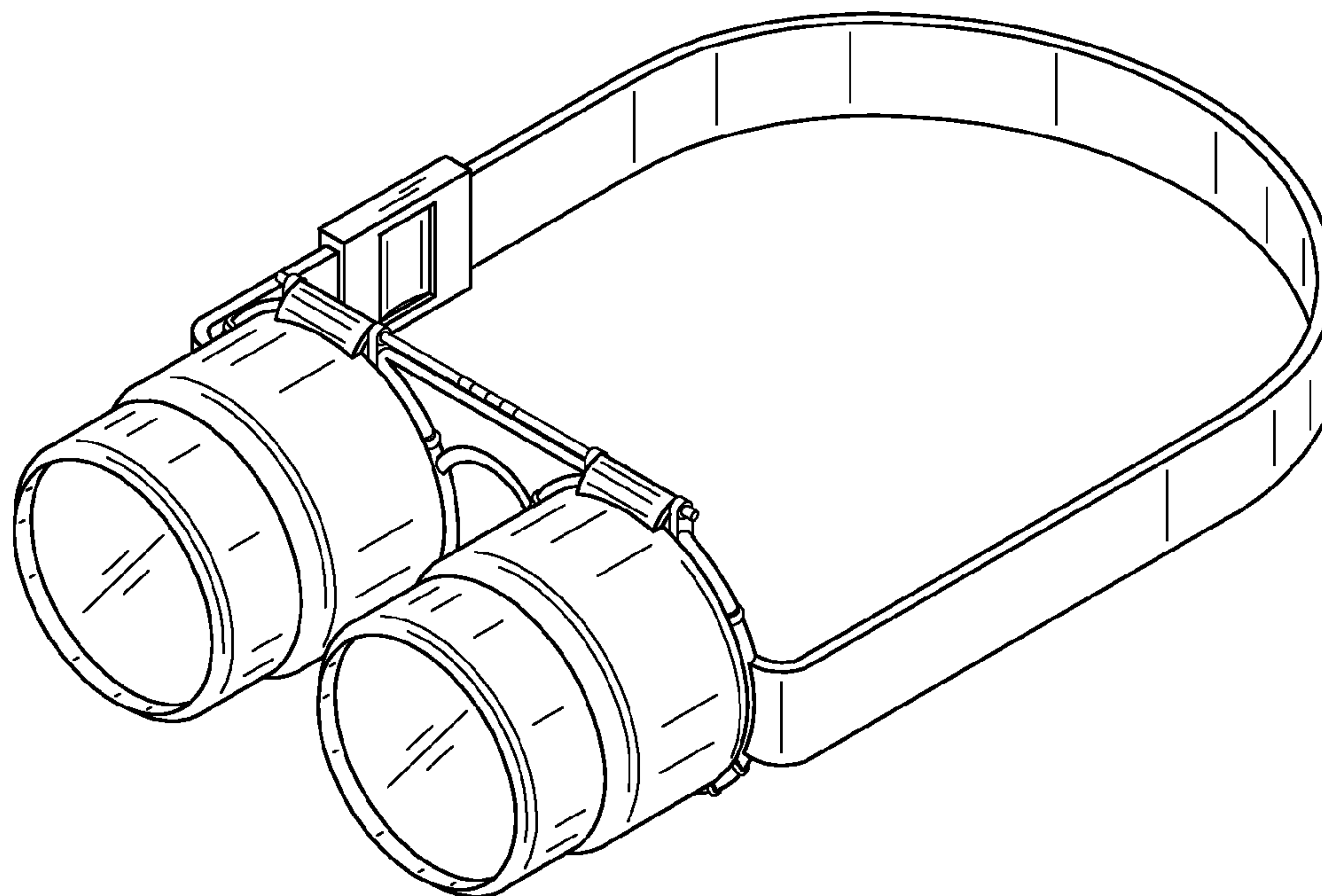
FIG. 4 is a right elevational view thereof;

FIG. 5 is a rear elevational view thereof;

FIG. 6 is a front elevational view thereof; and,

FIG. 7 is an isometric view thereof.

**1 Claim, 3 Drawing Sheets**



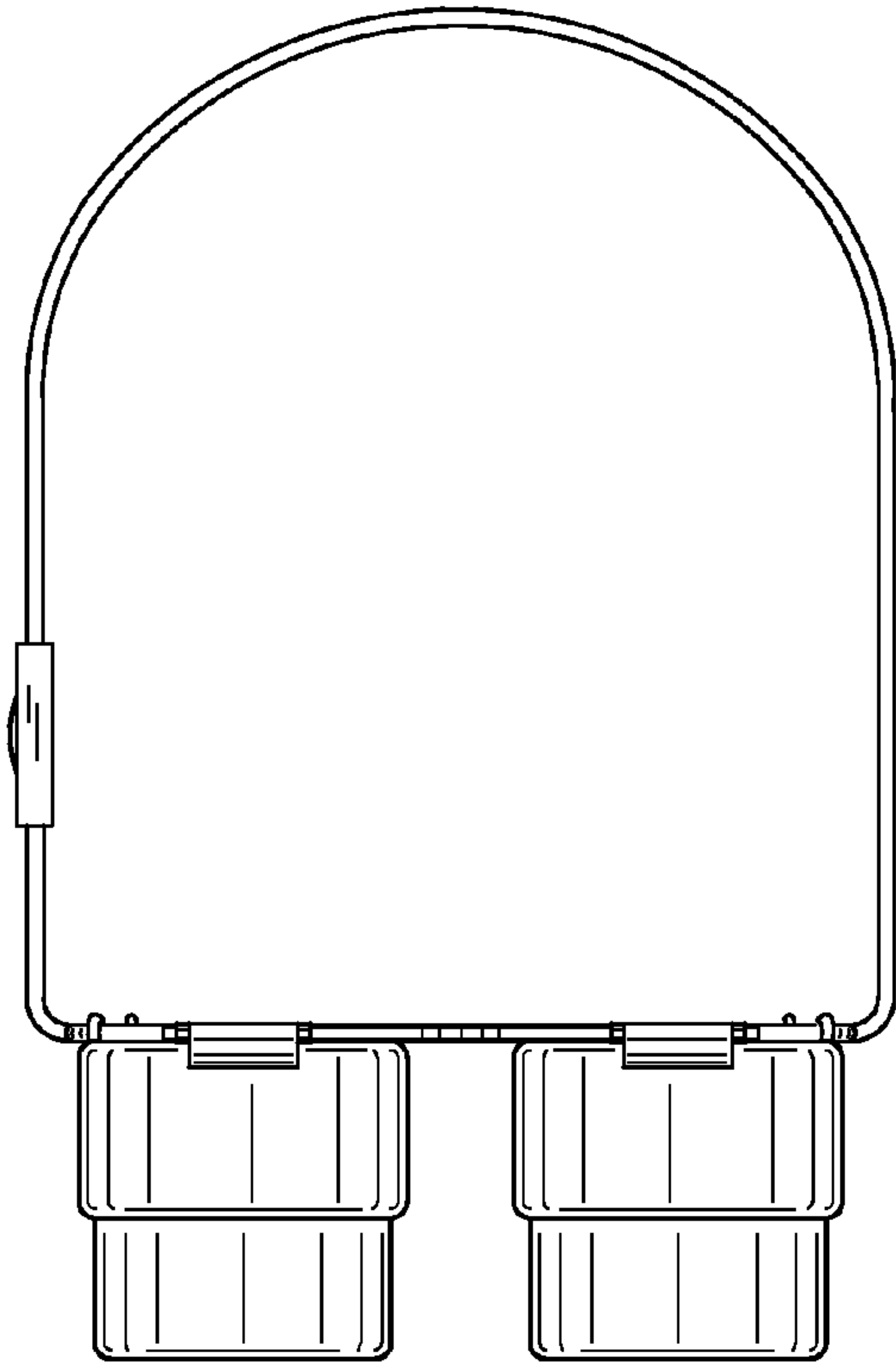


FIG. 1

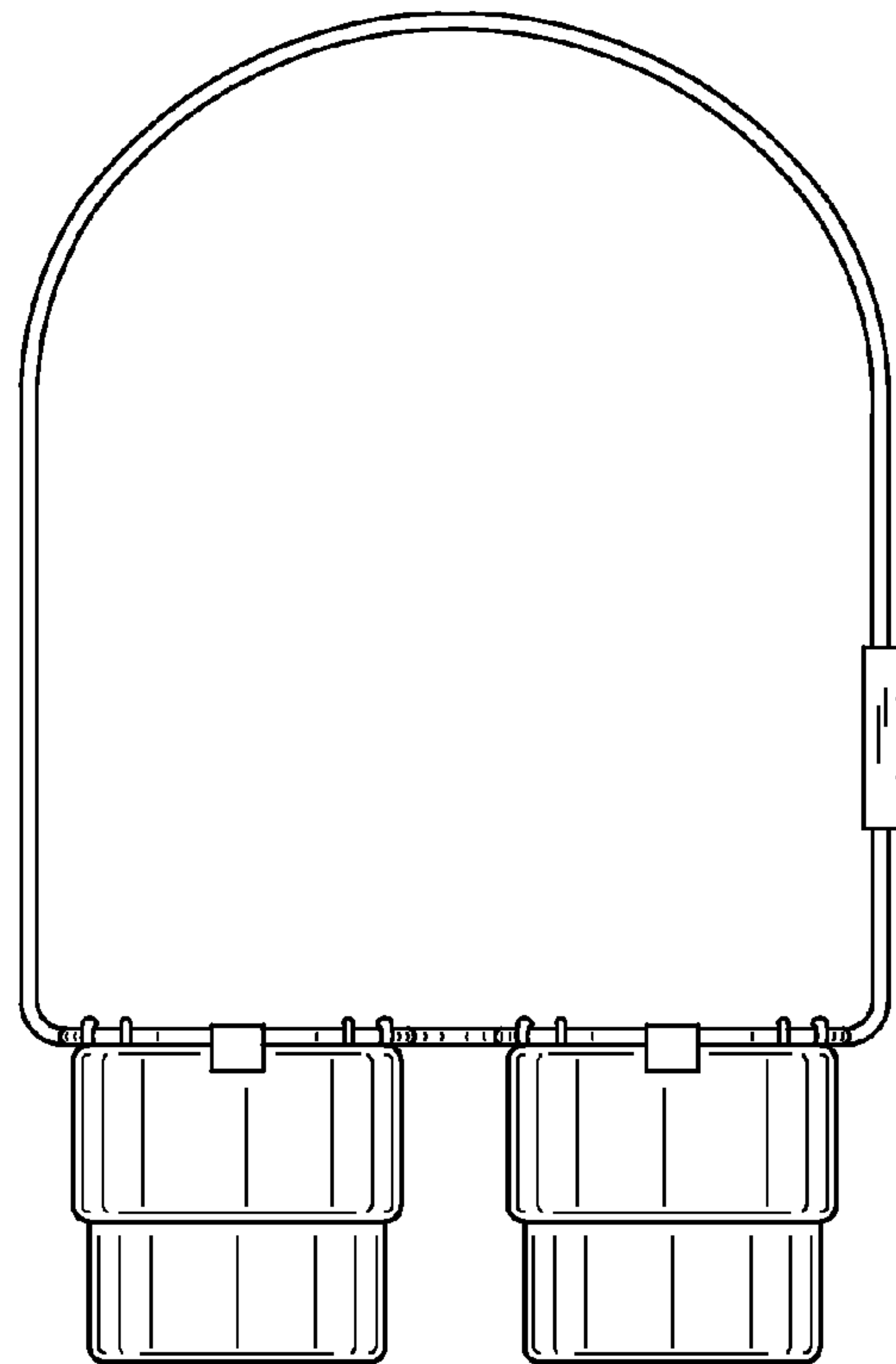


FIG. 2

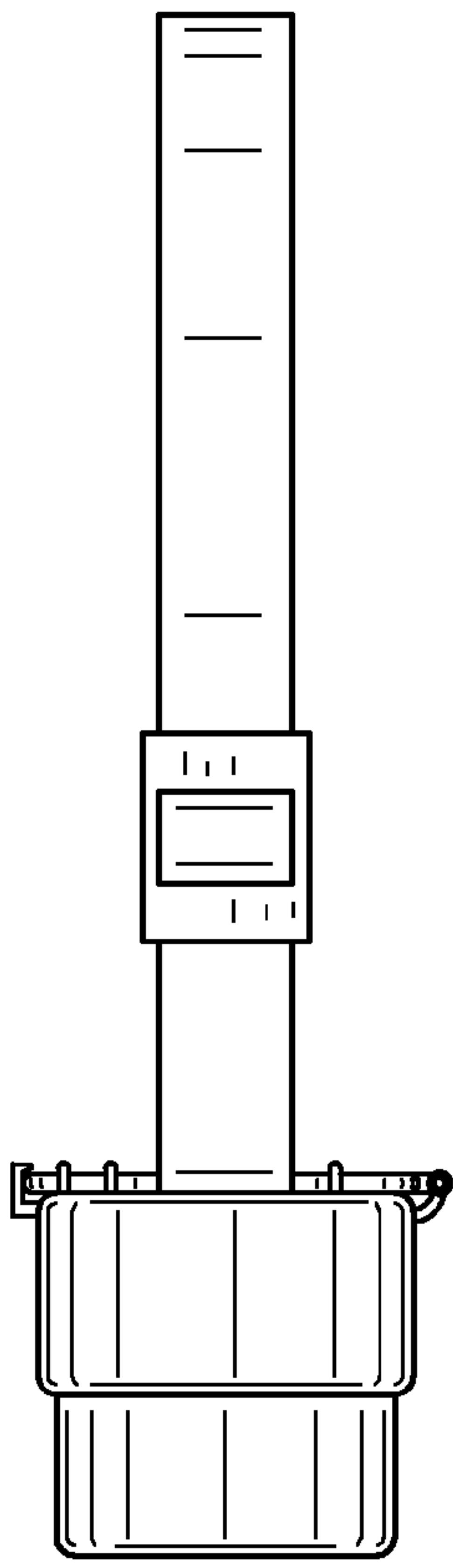


FIG. 3

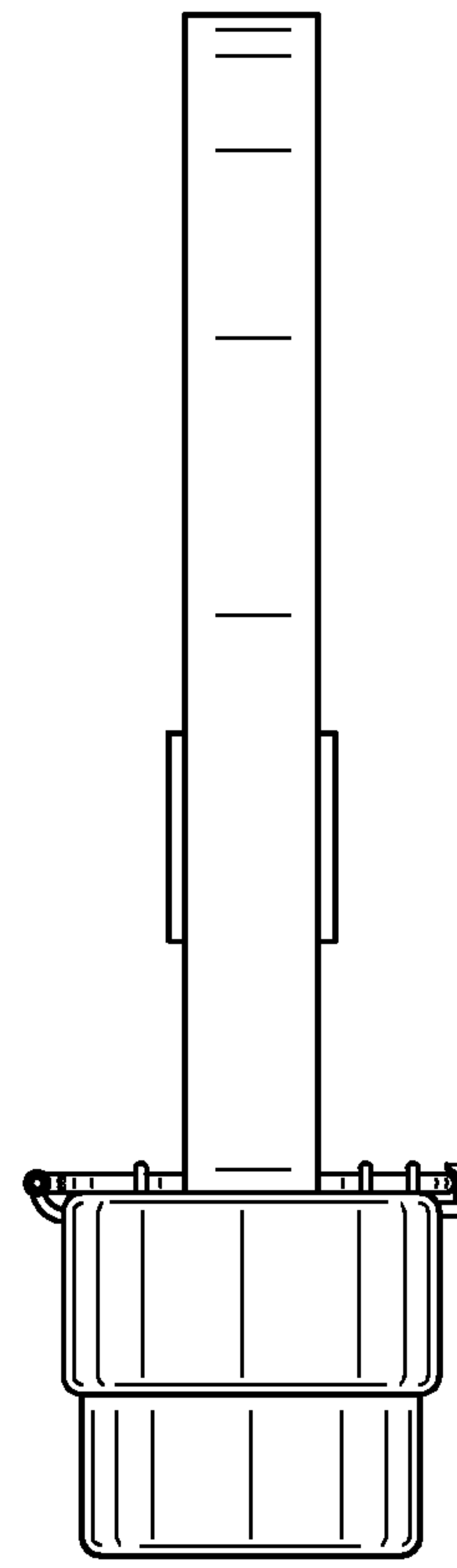


FIG. 4

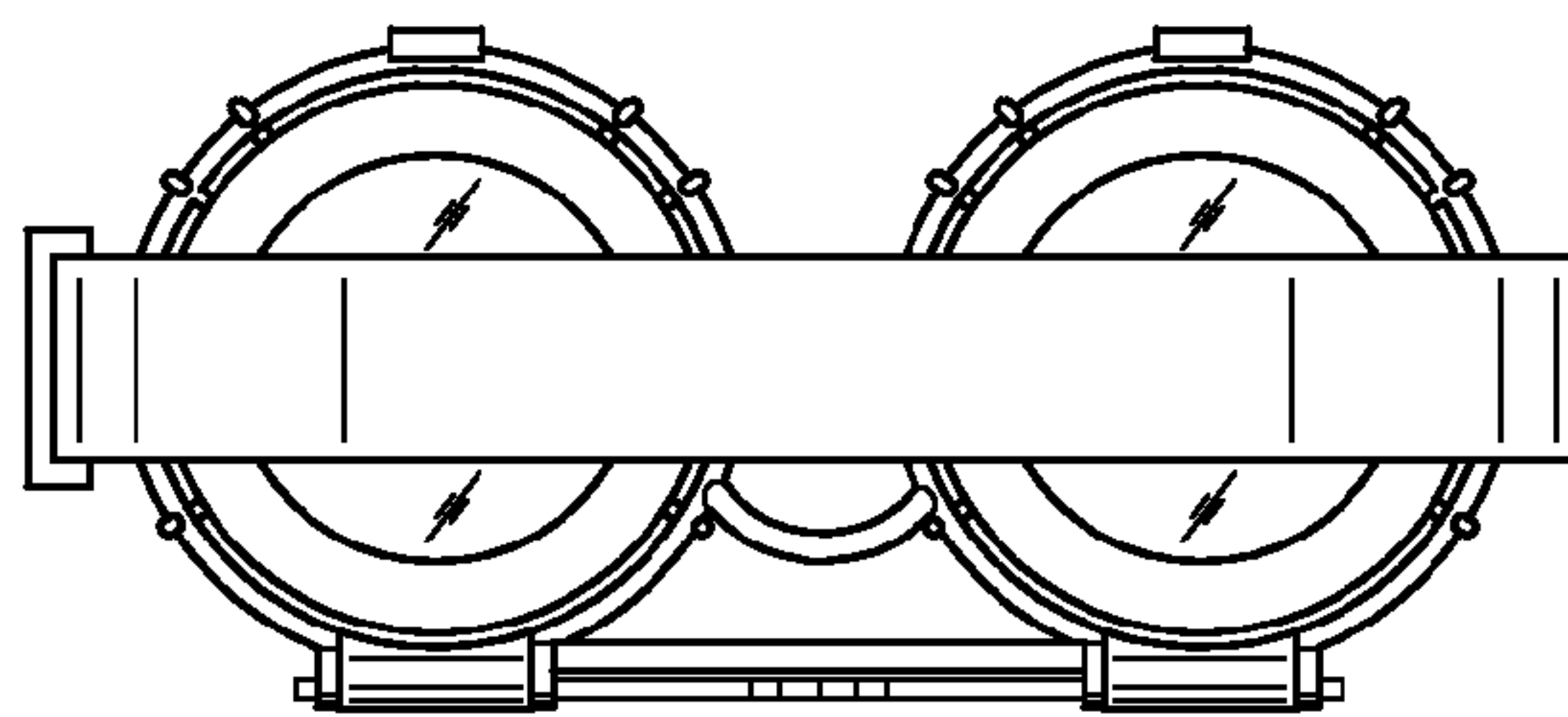


FIG. 5

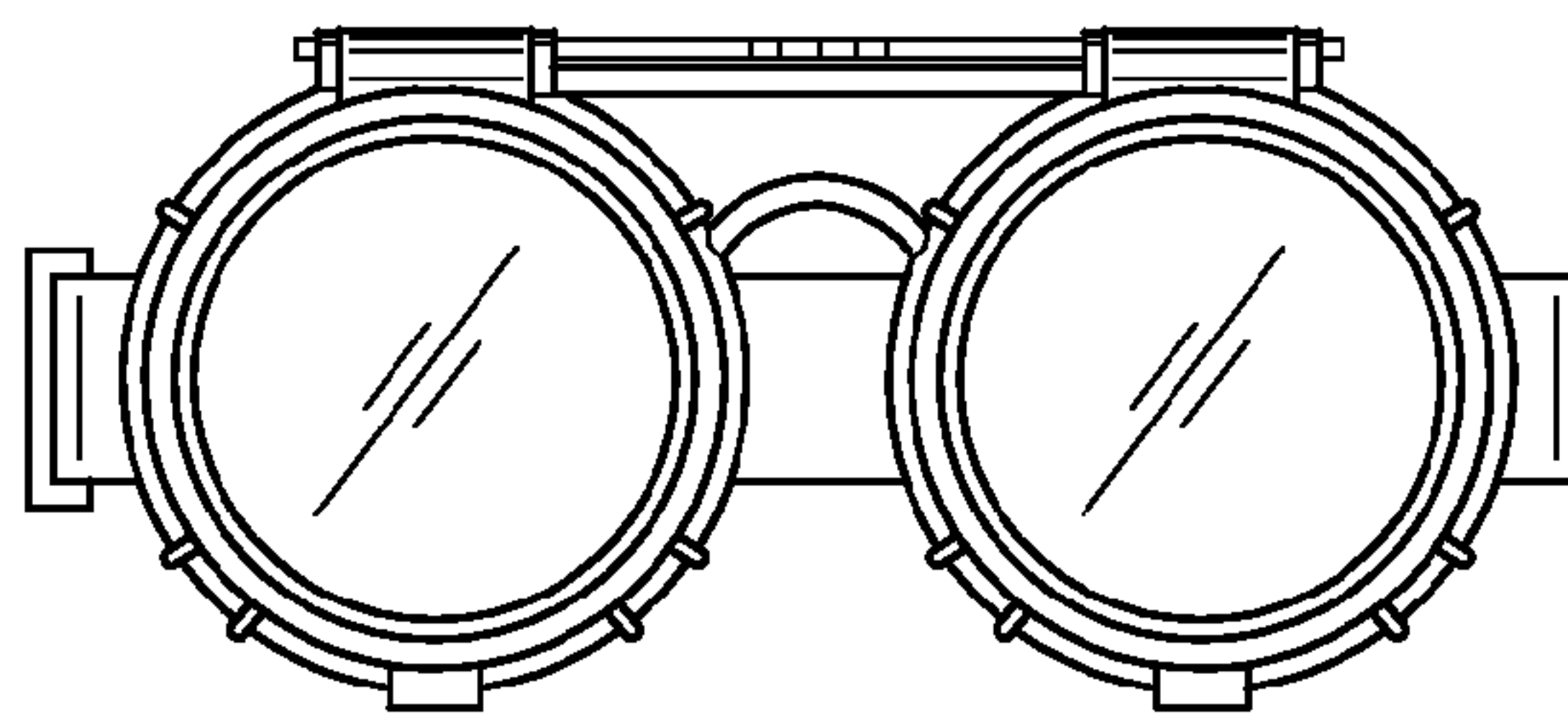


FIG. 6

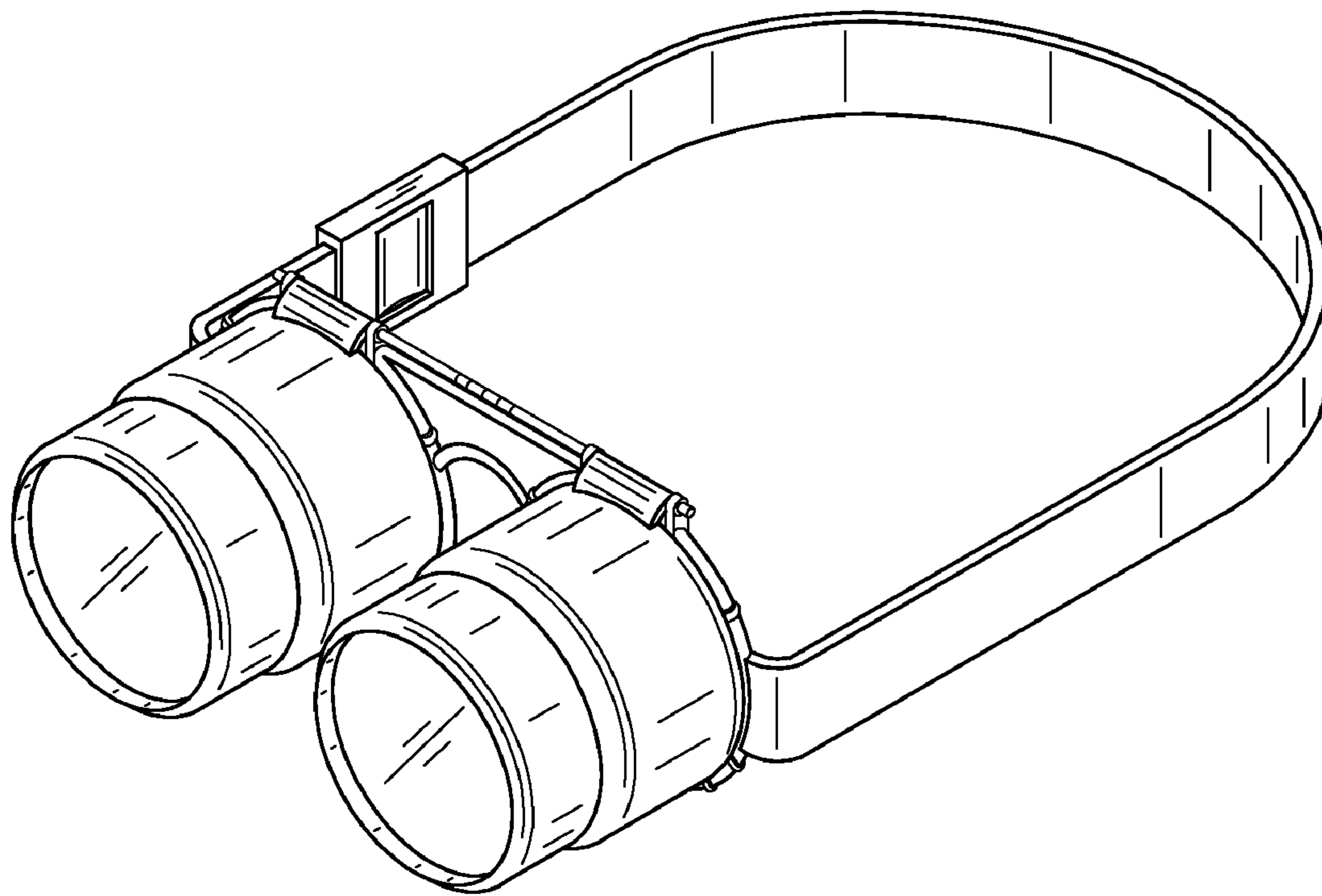


FIG. 7