



US00D583848S

(12) **United States Design Patent**  
**Hayashi**

(10) **Patent No.:** **US D583,848 S**  
(45) **Date of Patent:** **\*\* Dec. 30, 2008**

(54) **DIGITAL CAMERA**

(75) Inventor: **Tatsuyuki Hayashi**, Tokyo (JP)

(73) Assignee: **PENTAX Corporation**, Tokyo (JP)

(\*\*) Term: **14 Years**

(21) Appl. No.: **29/299,096**

(22) Filed: **Dec. 19, 2007**

(30) **Foreign Application Priority Data**

Jul. 11, 2007 (JP) ..... 2007-018805

(51) **LOC (8) Cl.** ..... **16-05**

(52) **U.S. Cl.** ..... **D16/219**

(58) **Field of Classification Search** ..... D16/200–204,  
D16/208, 218, 219; 348/373–376; 358/909.1;  
396/535–541

See application file for complete search history.

(56) **References Cited**

**U.S. PATENT DOCUMENTS**

D533,574 S *	12/2006	Hamamura	.....	D16/202
D536,013 S *	1/2007	Hamamura	.....	D16/219
D558,807 S *	1/2008	Horiki et al.	.....	D16/202
D559,296 S *	1/2008	Nakamura	.....	D16/219
D562,373 S *	2/2008	Nakamura	.....	D16/202
D566,154 S *	4/2008	Kawase	.....	D16/219
2005/0057685 A1 *	3/2005	Yamaguchi	.....	348/375

**OTHER PUBLICATIONS**

Panasonic, DMC-FX30-K, <http://prodb.matsushita.co.jp/product/image.do?pg=10&vhb=DMC-FX30-K&ghj=1>, Feb. 7, 2008.

Panasonic, DMC-FX8-K, <http://prodb.matsushita.co.jp/product/image.do?pg=10&vhb=DMC-FX8-K&ghj=1>, Feb. 7, 2008.

Panasonic, DMC-FX01-K, <http://prodb.matsushita.co.jp/product/image.do?pg=10&vhb=DMC-FX01-K&ghj=1>, Feb. 7, 2008.

Copy of Digital Camera of Panasonic DMC-FX30.

\* cited by examiner

*Primary Examiner*—Adir Aronovich

(74) *Attorney, Agent, or Firm*—Sughrue Mion, PLLC

(57) **CLAIM**

The ornamental design for a digital camera, as shown and described.

**DESCRIPTION**

FIG. 1 is a perspective view of the top, front and right side of a digital camera showing my new design

FIG. 2 is a perspective view of the bottom, rear and left side thereof;

FIG. 3 is a front elevational view thereof;

FIG. 4 is a rear elevational view thereof;

FIG. 5 is a left side elevational view thereof;

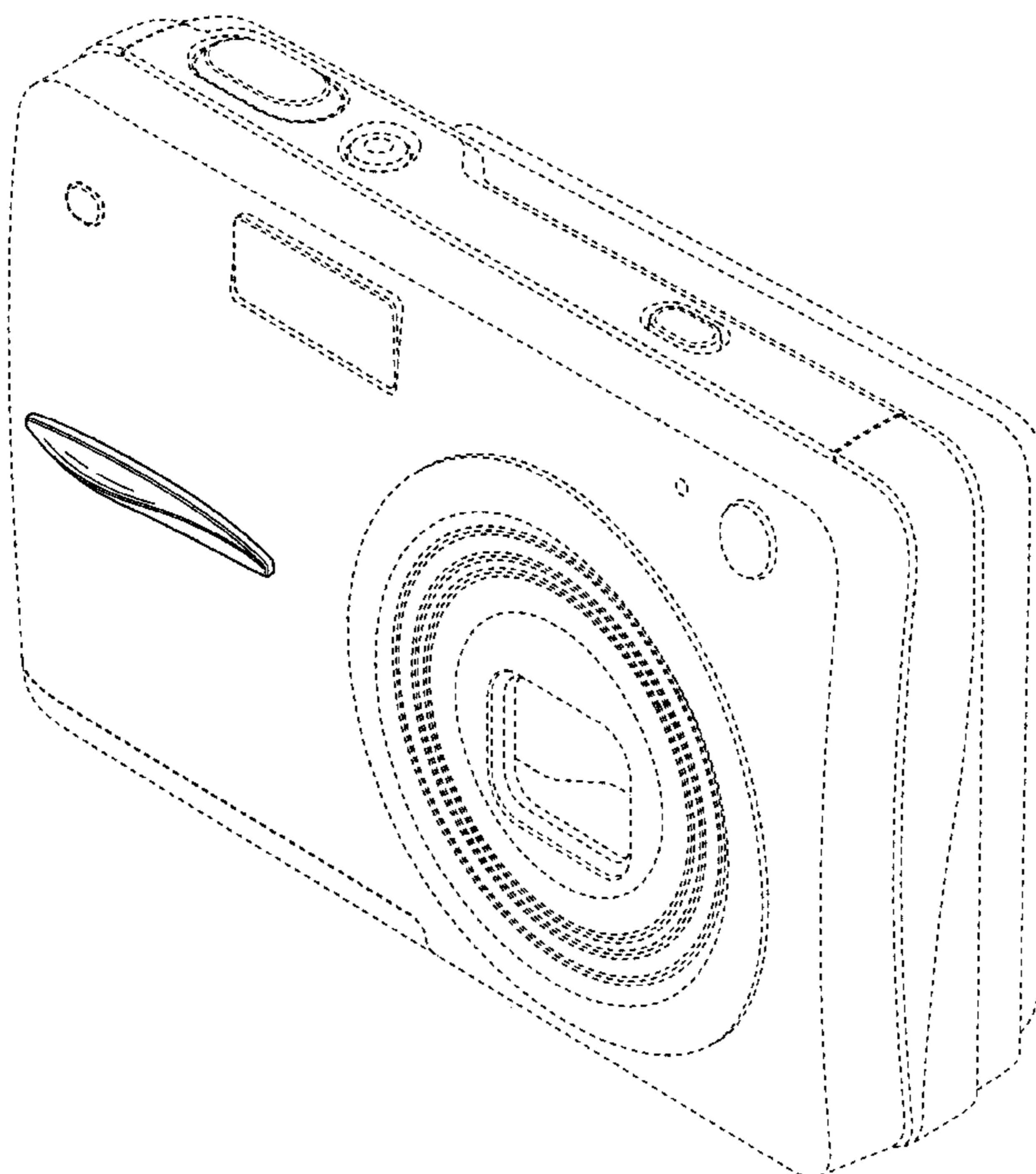
FIG. 6 is a right side elevational view thereof;

FIG. 7 is a top plan view thereof; and,

FIG. 8 is a bottom plan view thereof.

The portions shown in broken lines are for illustrative purposes only and form no part of the claimed design.

**1 Claim, 6 Drawing Sheets**



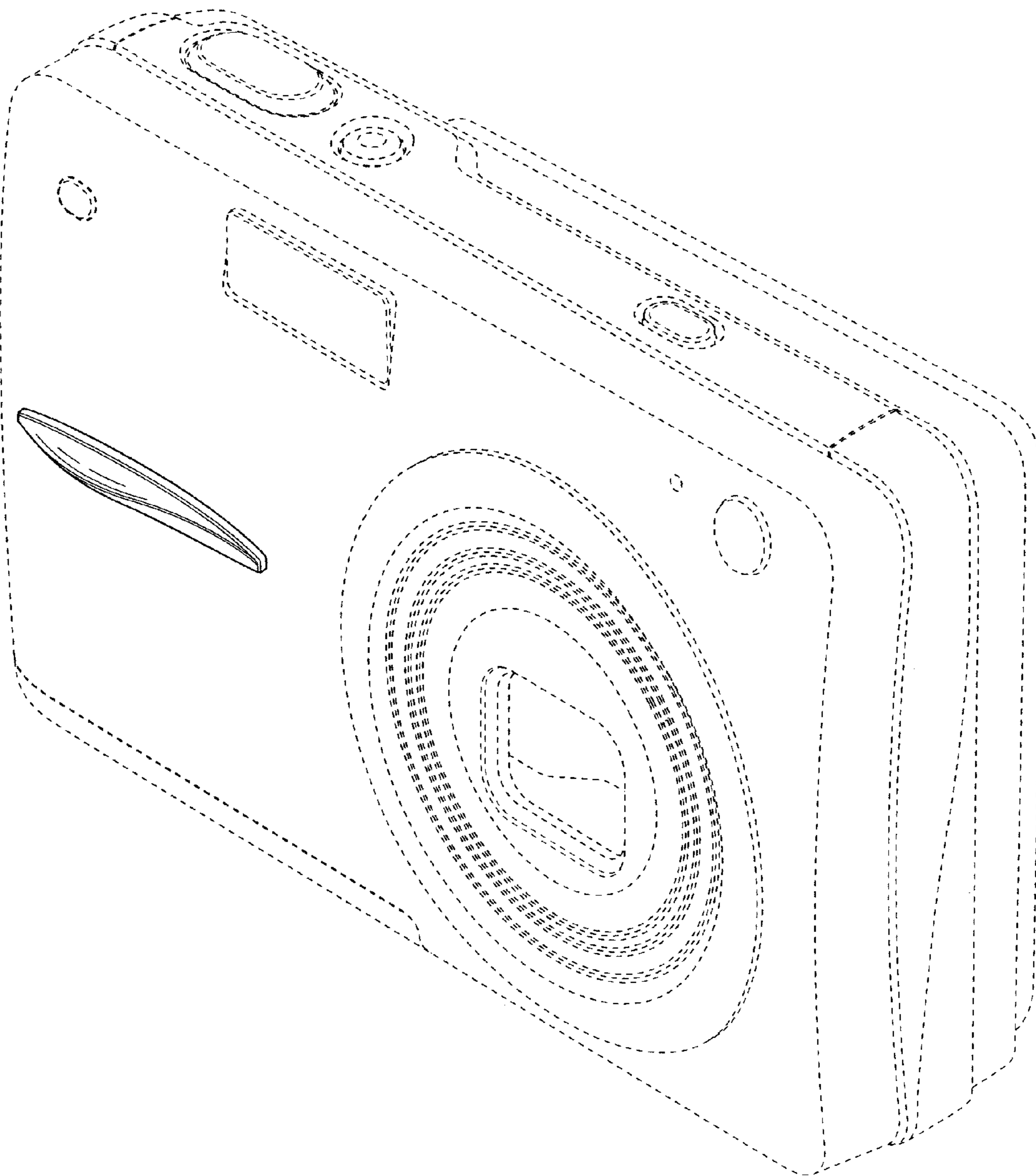


FIG. 1

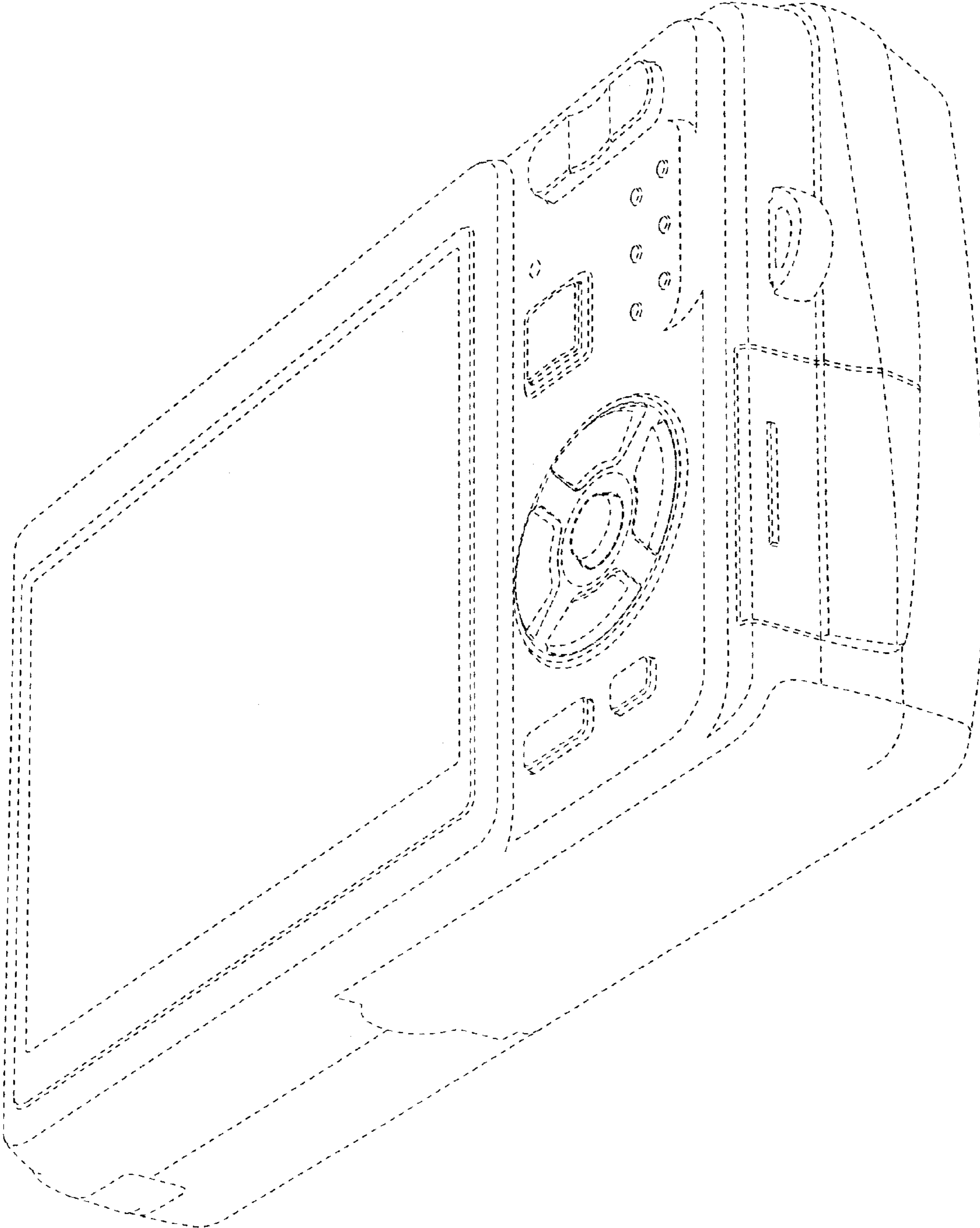


FIG. 2

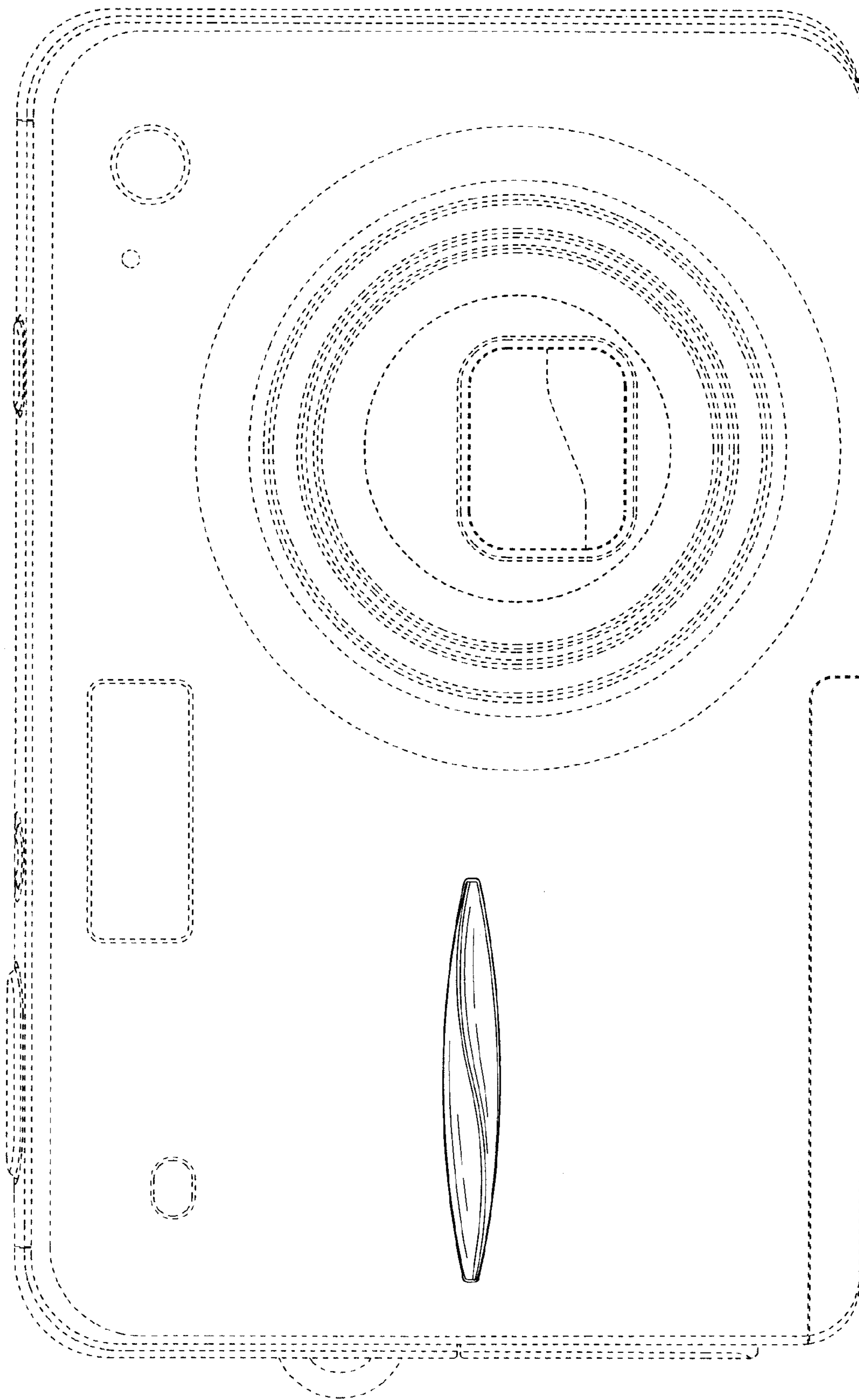


FIG. 3

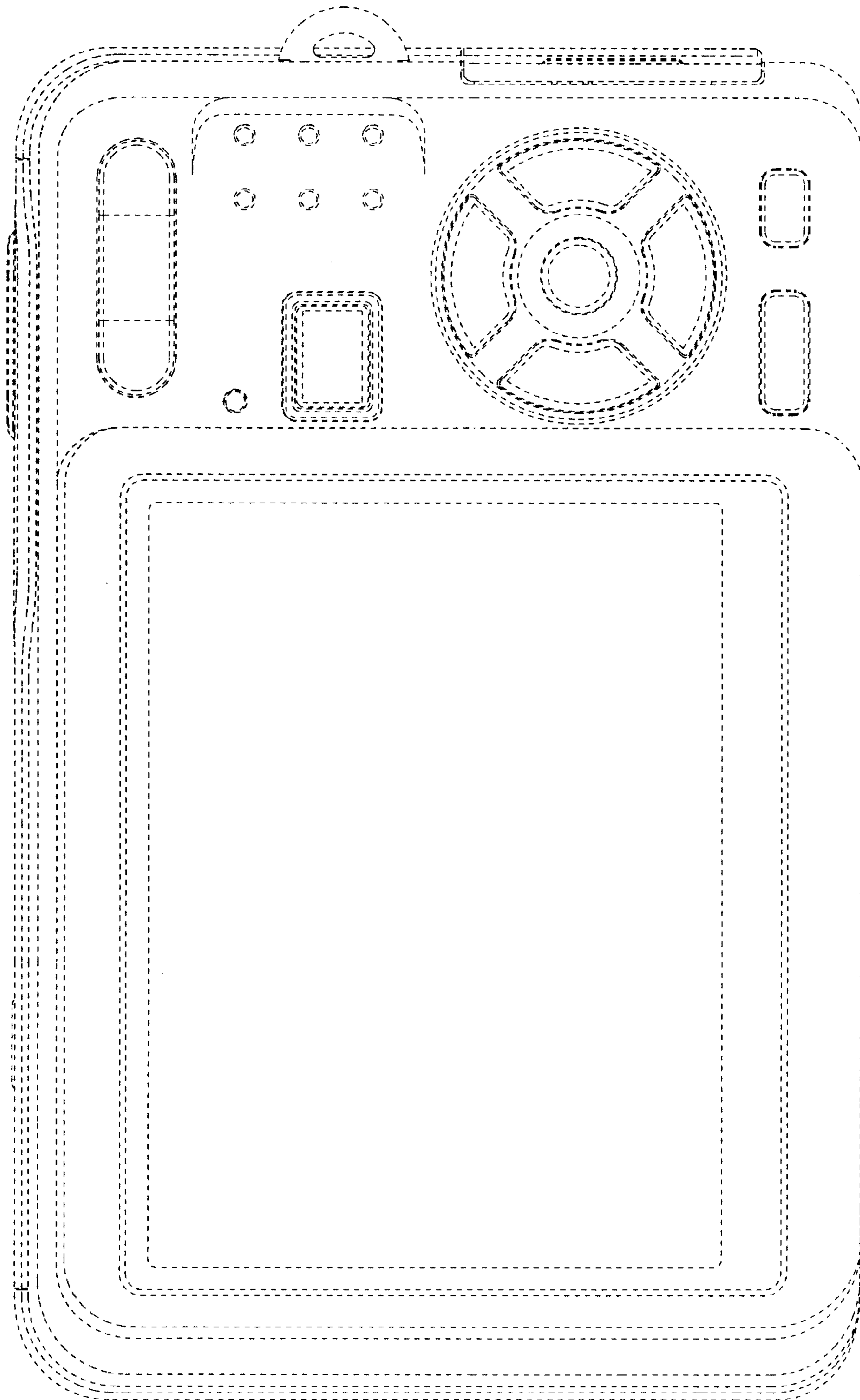
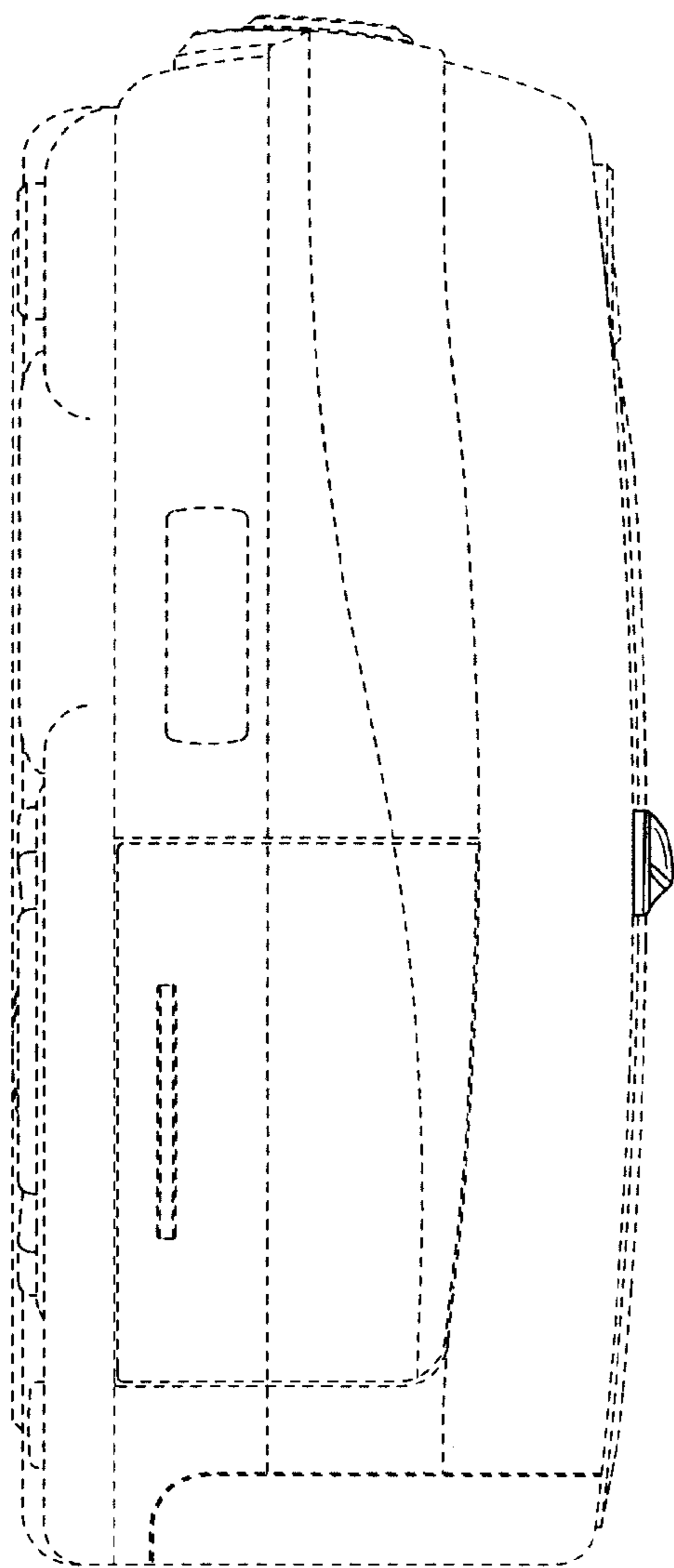
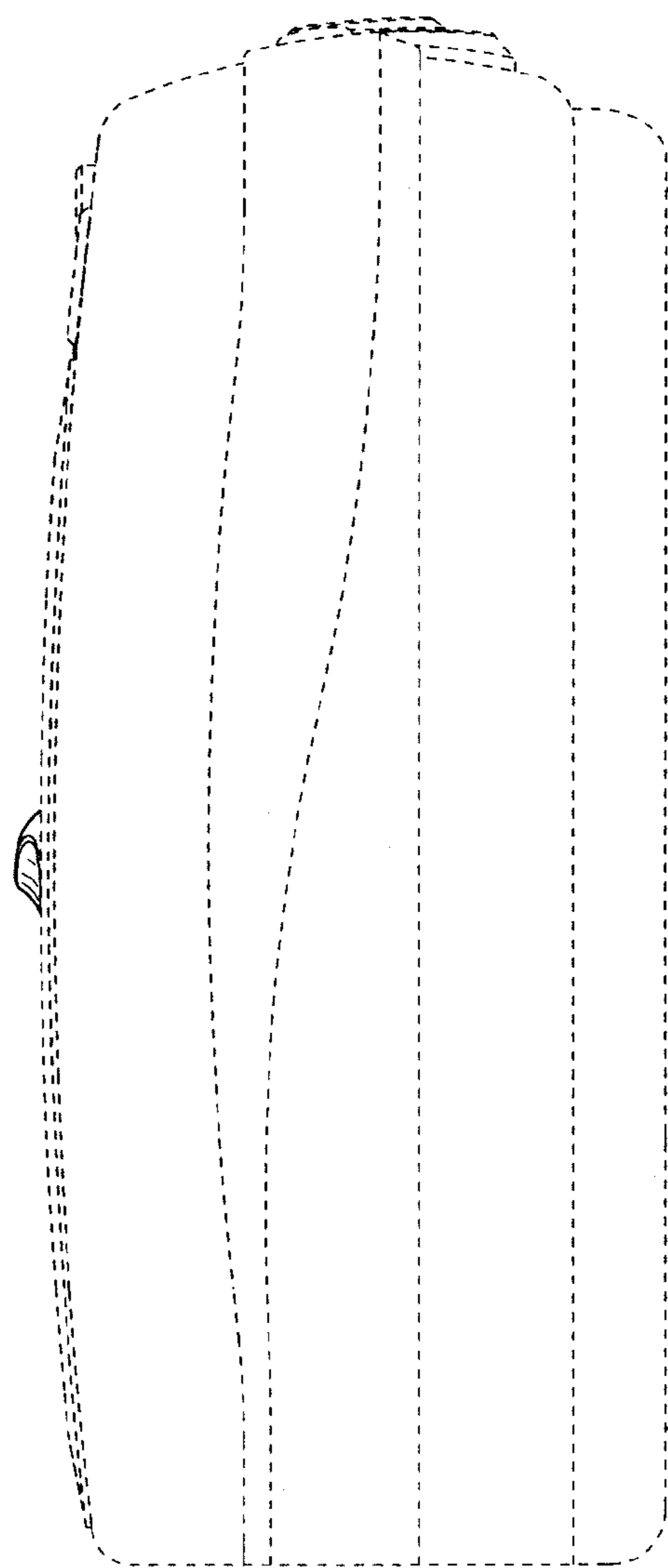


FIG. 4



*FIG. 5*



*FIG. 6*

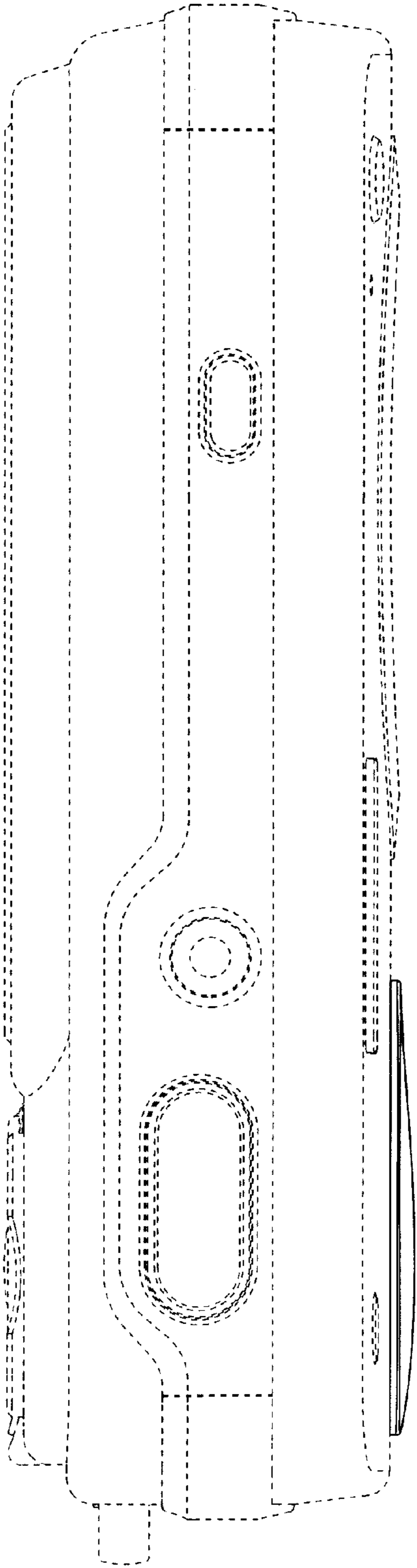


FIG. 7

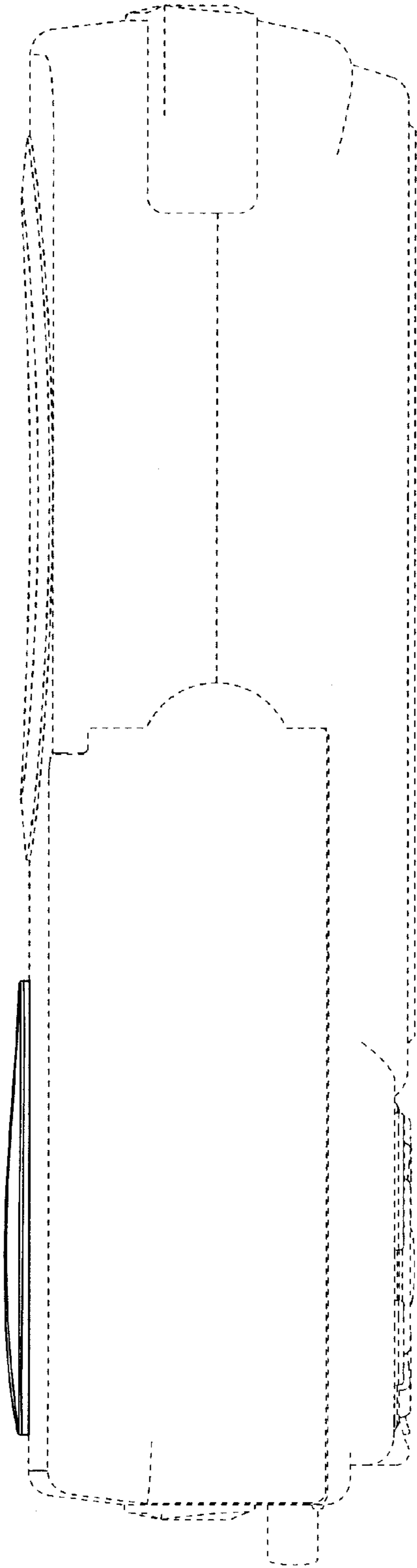


FIG. 8