



US00D583847S

(12) **United States Design Patent**
Watanabe

(10) **Patent No.:** **US D583,847 S**
(45) **Date of Patent:** **** Dec. 30, 2008**

(54) **CONVERSION LENS FOR SINGLE-LENS REFLEX CAMERA**

(75) Inventor: **Akira Watanabe**, Saitama (JP)

(73) Assignee: **PENTAX Corporation**, Tokyo (JP)

(**) Term: **14 Years**

(21) Appl. No.: **29/273,585**

(22) Filed: **Mar. 9, 2007**

(30) **Foreign Application Priority Data**

Sep. 12, 2006 (JP) 2006-024307

(51) **LOC (8) Cl.** **16-05**

(52) **U.S. Cl.** **D16/219; D16/134**

(58) **Field of Classification Search** D16/134,
D16/136, 216-219, 237; 359/704, 825-829;
396/354-359, 529-531, 534, 544

See application file for complete search history.

(56) **References Cited**

U.S. PATENT DOCUMENTS

- D338,479 S * 8/1993 Takahashi D16/134
- D398,315 S * 9/1998 Miyamoto D16/219
- D416,926 S * 11/1999 Watanabe D16/219
- D417,681 S * 12/1999 Hayashi D16/219
- 6,269,227 B1 * 7/2001 Hamasaki et al. 396/534
- D446,232 S * 8/2001 Watanabe D16/134
- 6,377,408 B1 * 4/2002 Shinohara 359/826

FOREIGN PATENT DOCUMENTS

- JP 01105162 S 4/2001
- JP 0906273-1 S 3/2008

OTHER PUBLICATIONS

Japanese Office Action dated Mar. 16, 2007.
Camera lens published on Apr. 1, 2002.

* cited by examiner

Primary Examiner—Adir Aronovich

(74) *Attorney, Agent, or Firm*—Sughrue Mion, PLLC

(57) **CLAIM**

The ornamental design for a conversion lens for single-lens reflex camera, as shown and described.

DESCRIPTION

FIG. 1 is a perspective view of the top, front and left side of a conversion lens for single-lens reflex camera showing my new design;

FIG. 2 is a front elevational view thereof;

FIG. 3 is a rear elevational view thereof;

FIG. 4 is a left side elevational view thereof;

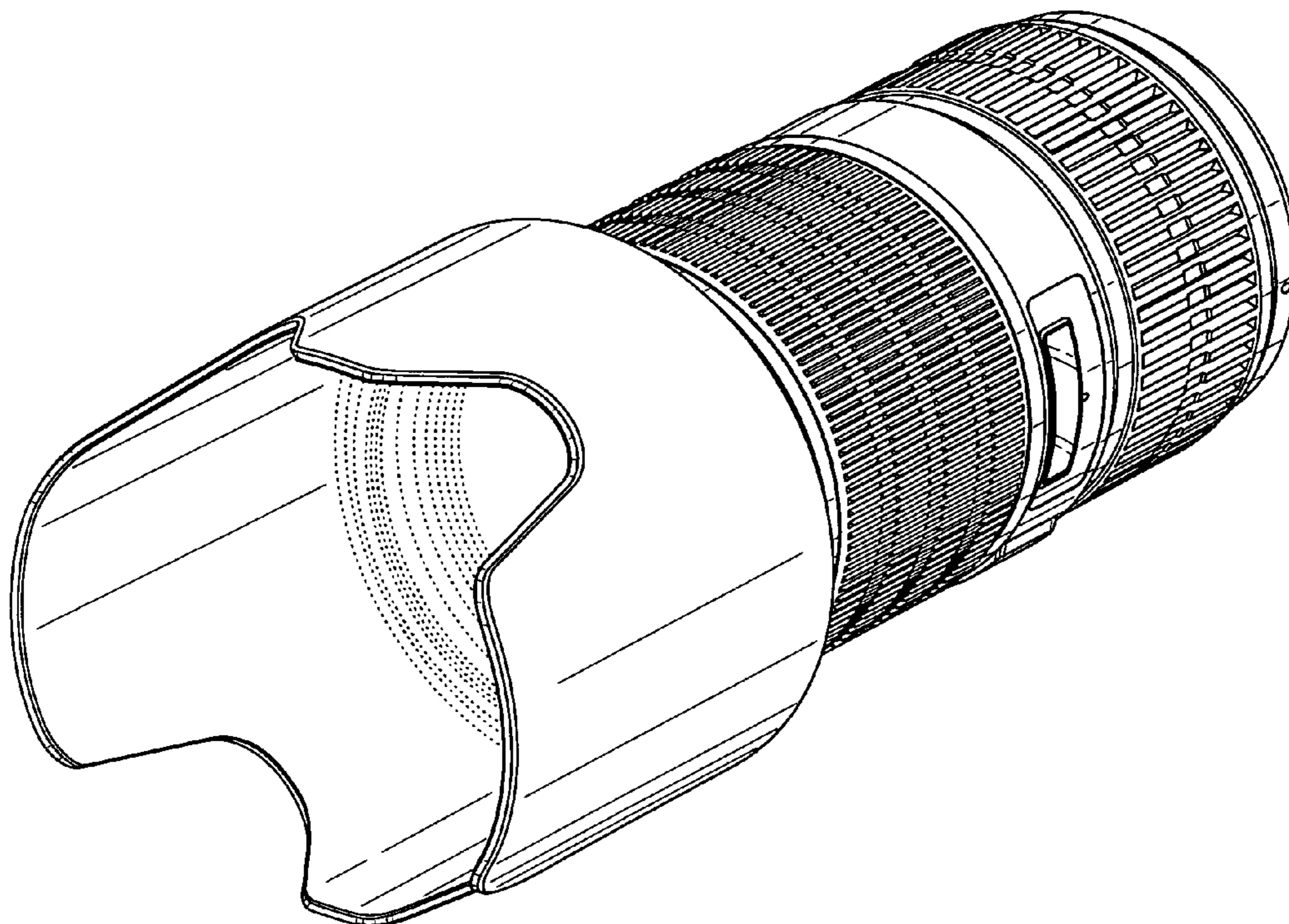
FIG. 5 is a right side elevational view thereof;

FIG. 6 is a top plan view thereof; and,

FIG. 7 is a bottom plan view thereof.

The portions shown in broken lines are for illustrative purposes only and form no part of the claimed design.

1 Claim, 6 Drawing Sheets



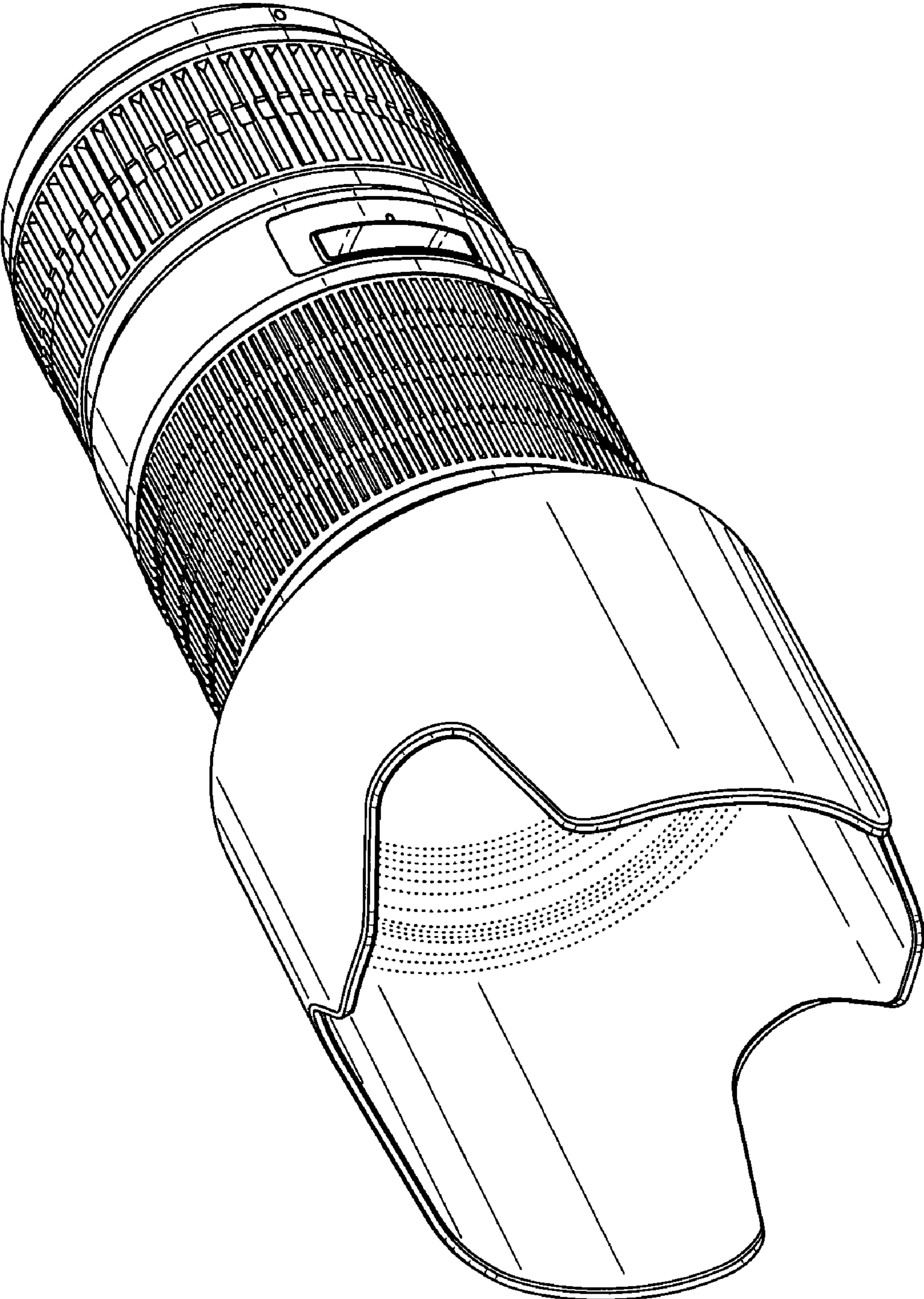


FIG. 1

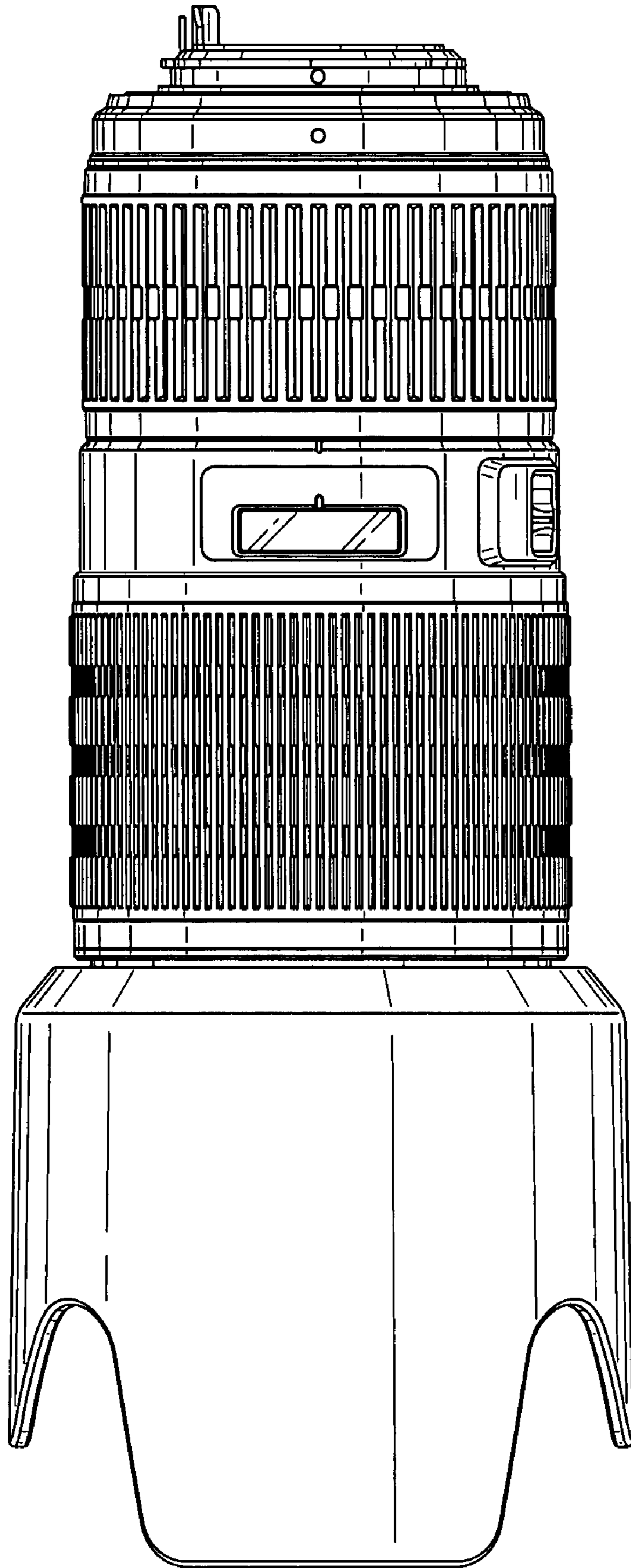


FIG. 2

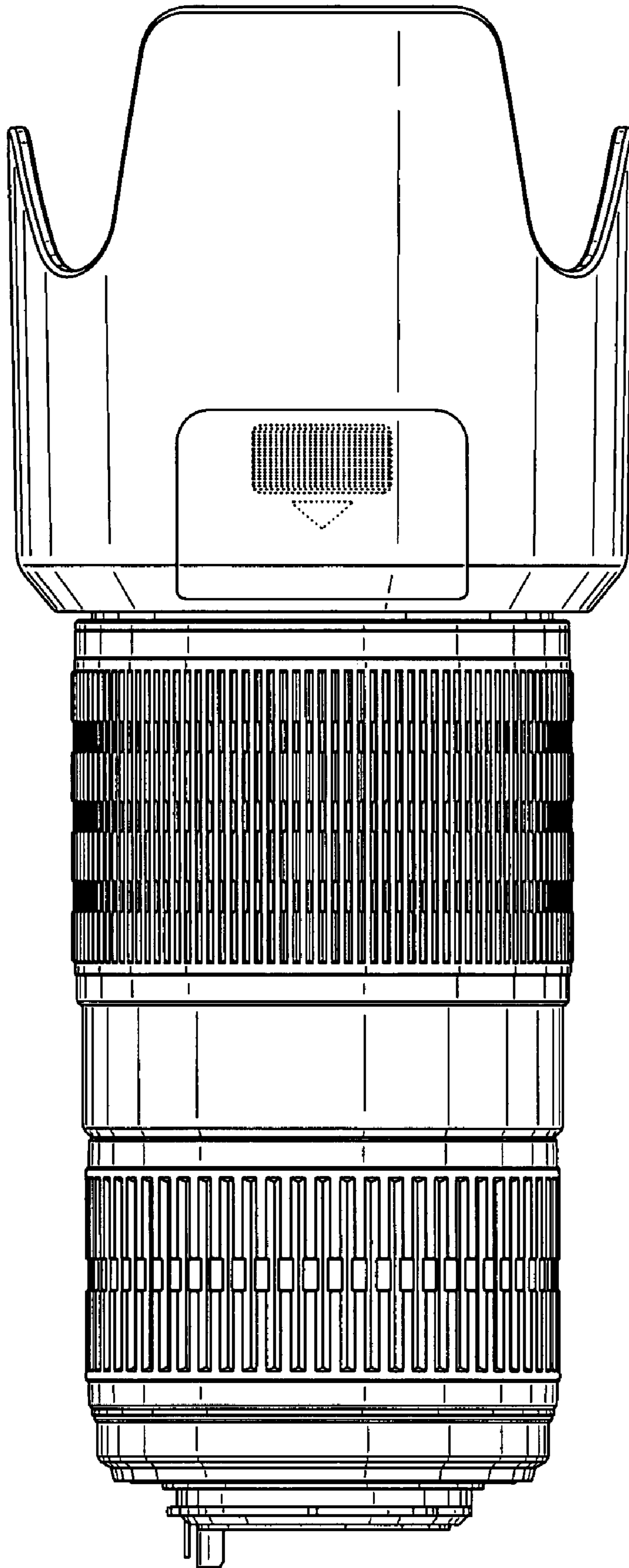


FIG. 3

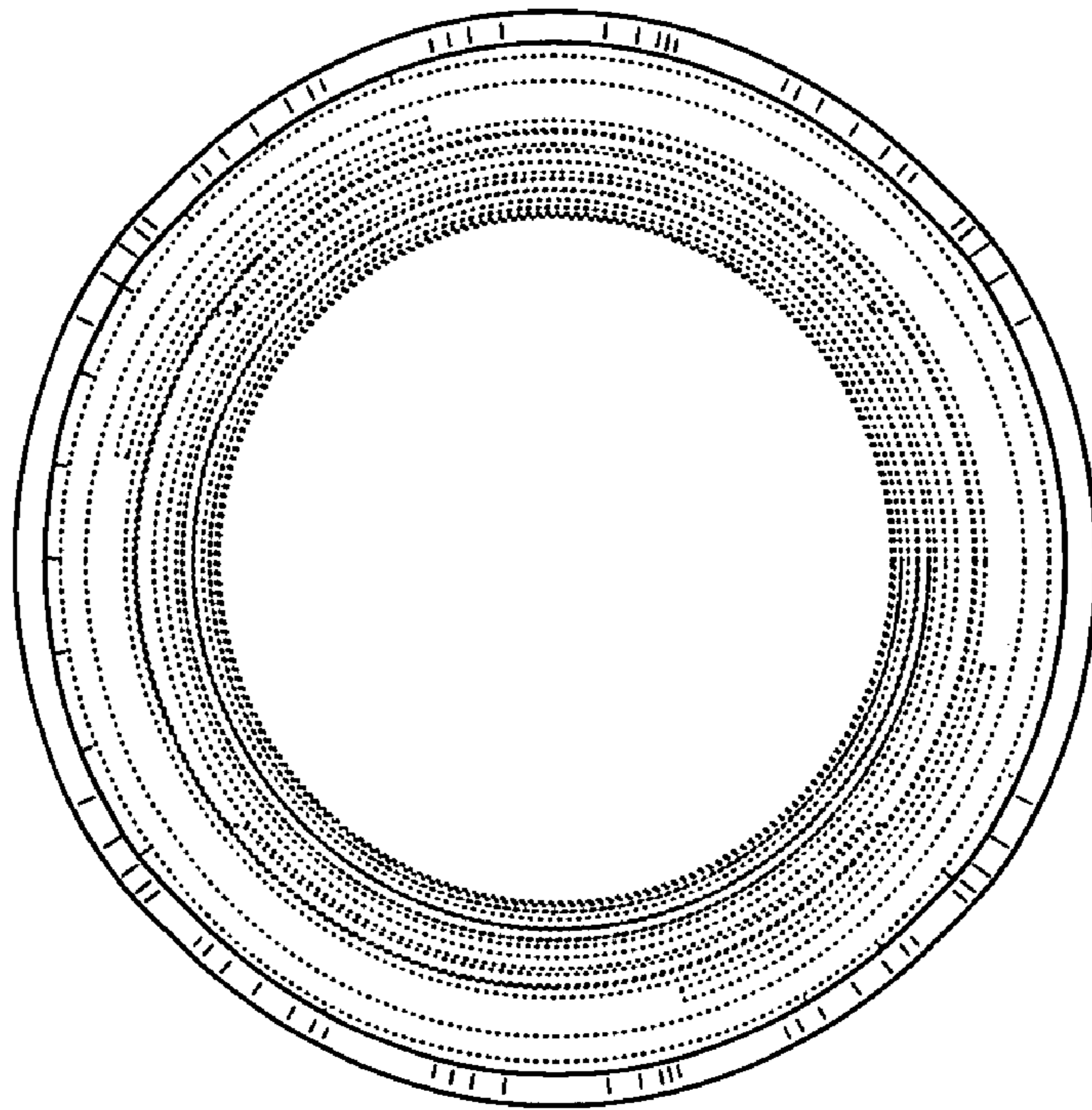


FIG. 4

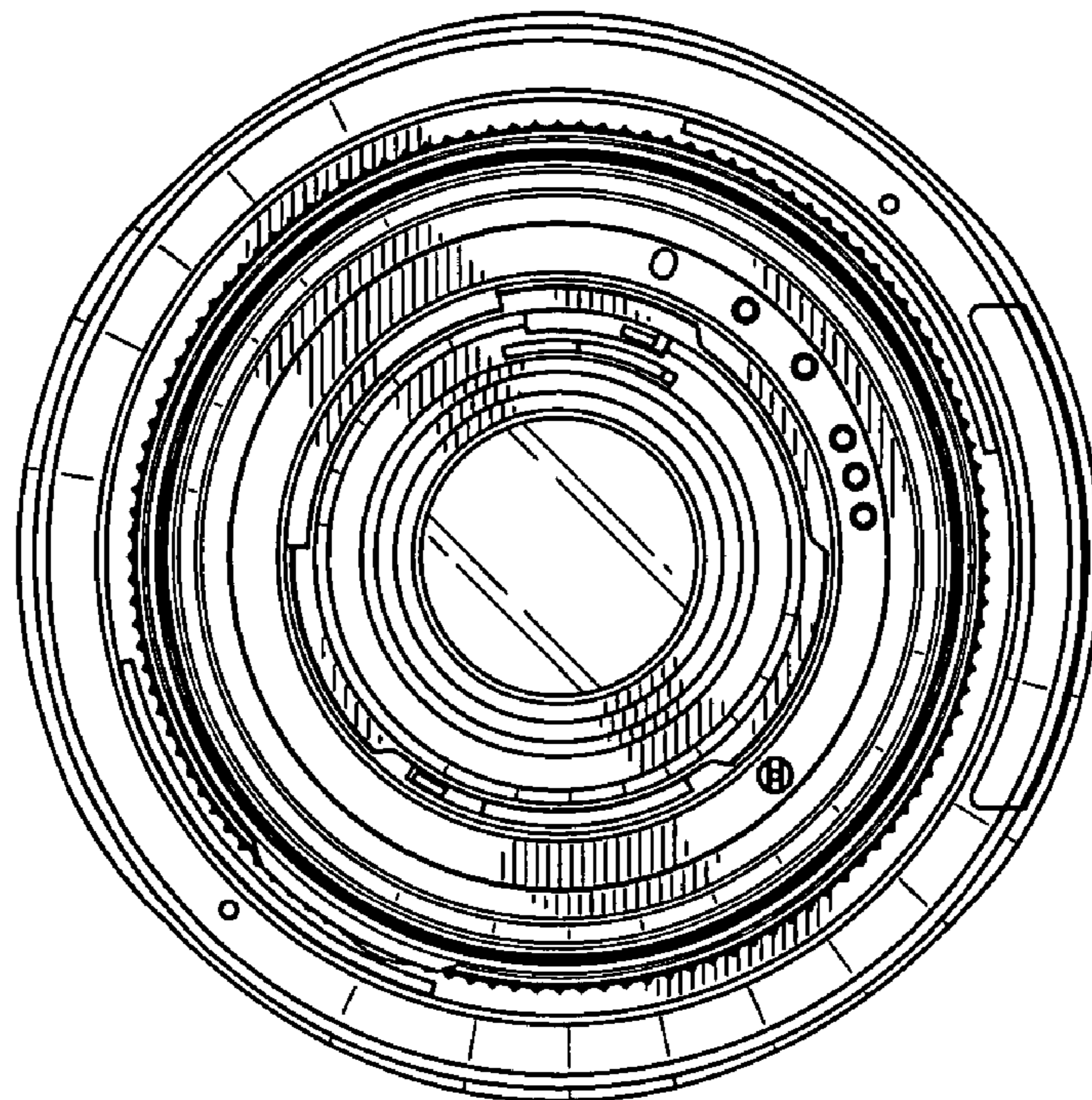


FIG. 5

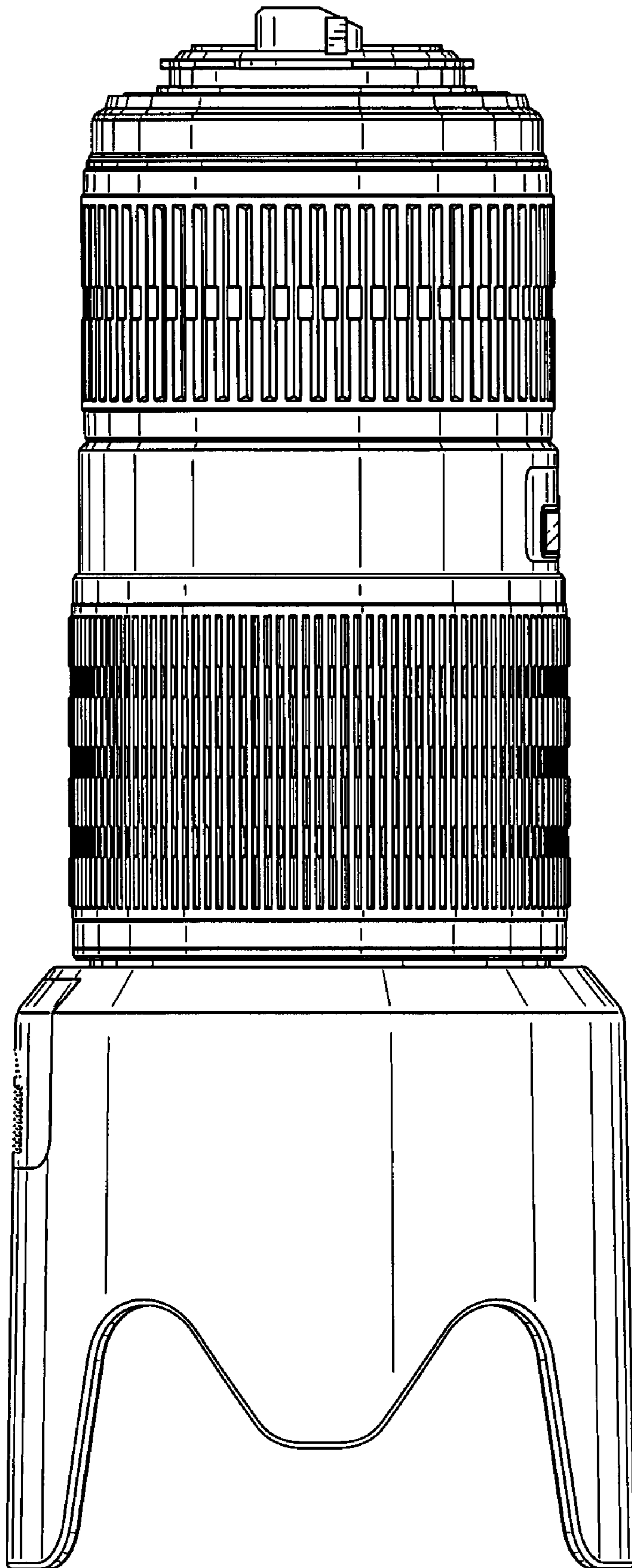


FIG. 6

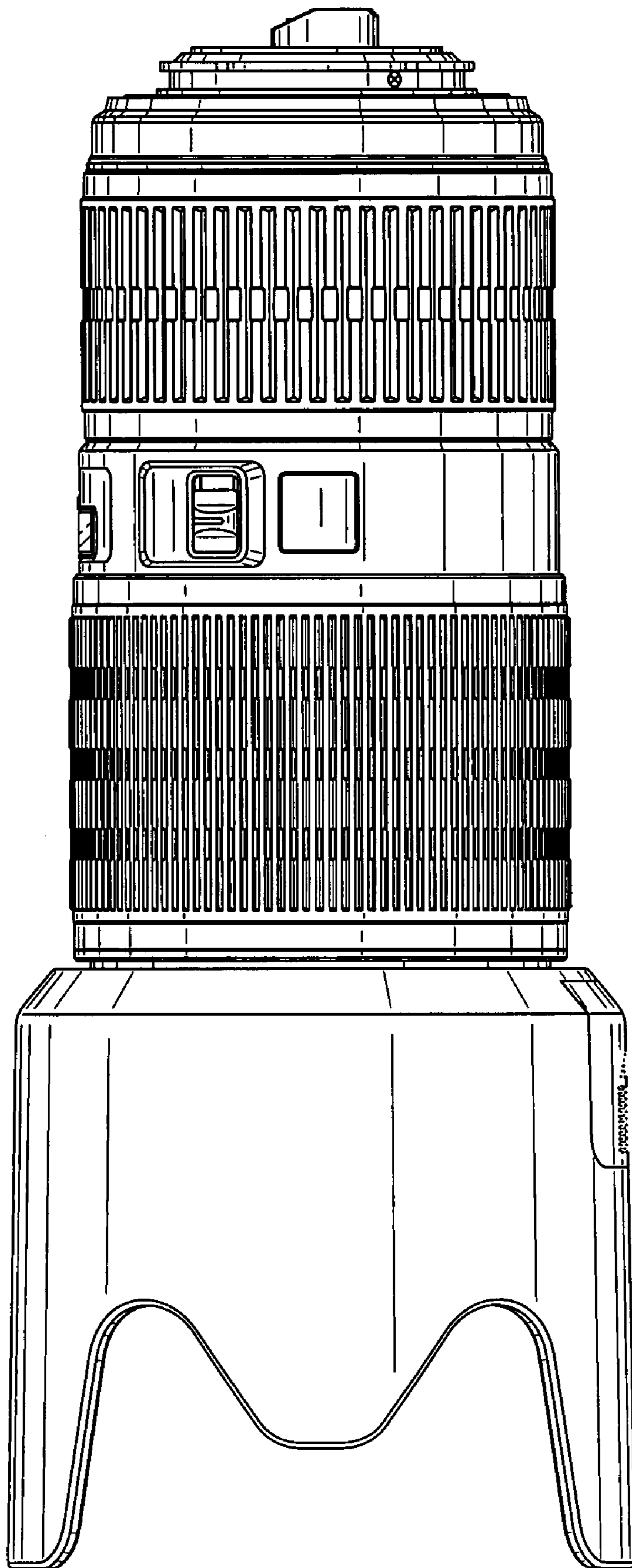


FIG. 7