



US00D583846S

(12) **United States Design Patent**
Yamane et al.

(10) **Patent No.:** **US D583,846 S**

(45) **Date of Patent:** **** Dec. 30, 2008**

(54) **CAMERA HEAD FOR A VIDEO RECORDER**

2007/0223915 A1* 9/2007 Yi 396/535
2008/0170154 A1* 7/2008 Yamada et al. 348/373

(75) Inventors: **Akira Yamane**, Nagoya (JP); **Takeshi Yoshida**, Nagoya (JP); **Tetsuro Kato**, Nagoya (JP)

FOREIGN PATENT DOCUMENTS

JP 1038505 5/1999

* cited by examiner

Primary Examiner—Adir Aronovich

Assistant Examiner—Wan Laymon

(74) *Attorney, Agent, or Firm*—William L. Androlia; H. Henry Koda

(73) Assignee: **Elmo Co., Ltd.**, Aichi (JP)

(**) Term: **14 Years**

(21) Appl. No.: **29/264,835**

(22) Filed: **Aug. 18, 2006**

(57) **CLAIM**

(30) **Foreign Application Priority Data**

Feb. 28, 2006 (JP) 2006-004822

The ornamental design for a camera head for a video recorder, as shown and described.

(51) **LOC (8) Cl.** **16-05**

(52) **U.S. Cl.** **D16/219; D14/125; D16/202**

(58) **Field of Classification Search** D16/200–205, D16/208, 218, 19, 220; D14/125–127, 129, D14/135; 348/739, 838, 373, 375; 396/541, 396/535, 537; D24/137–138; 600/118, 101, 600/122; 352/34, 242–243
See application file for complete search history.

DESCRIPTION

FIG. 1 is a front elevational view of the camera head for video recorder showing our new design, the rear elevational view being a mirror image of the front elevational view, and the top and bottom plan views being identical to the front elevational view;

FIG. 2 is a right side elevational view thereof;

FIG. 3 is a left side elevational view thereof;

FIG. 4 is a perspective view taken from the front, top and left side of the camera head for a video recorder; and,

FIG. 5 is a perspective view taken from the front, top and left side of the camera head for a video recorder connected to a video recorder/player that is shown in broken lines for illustrative purposes only, forming no part of the claimed design.

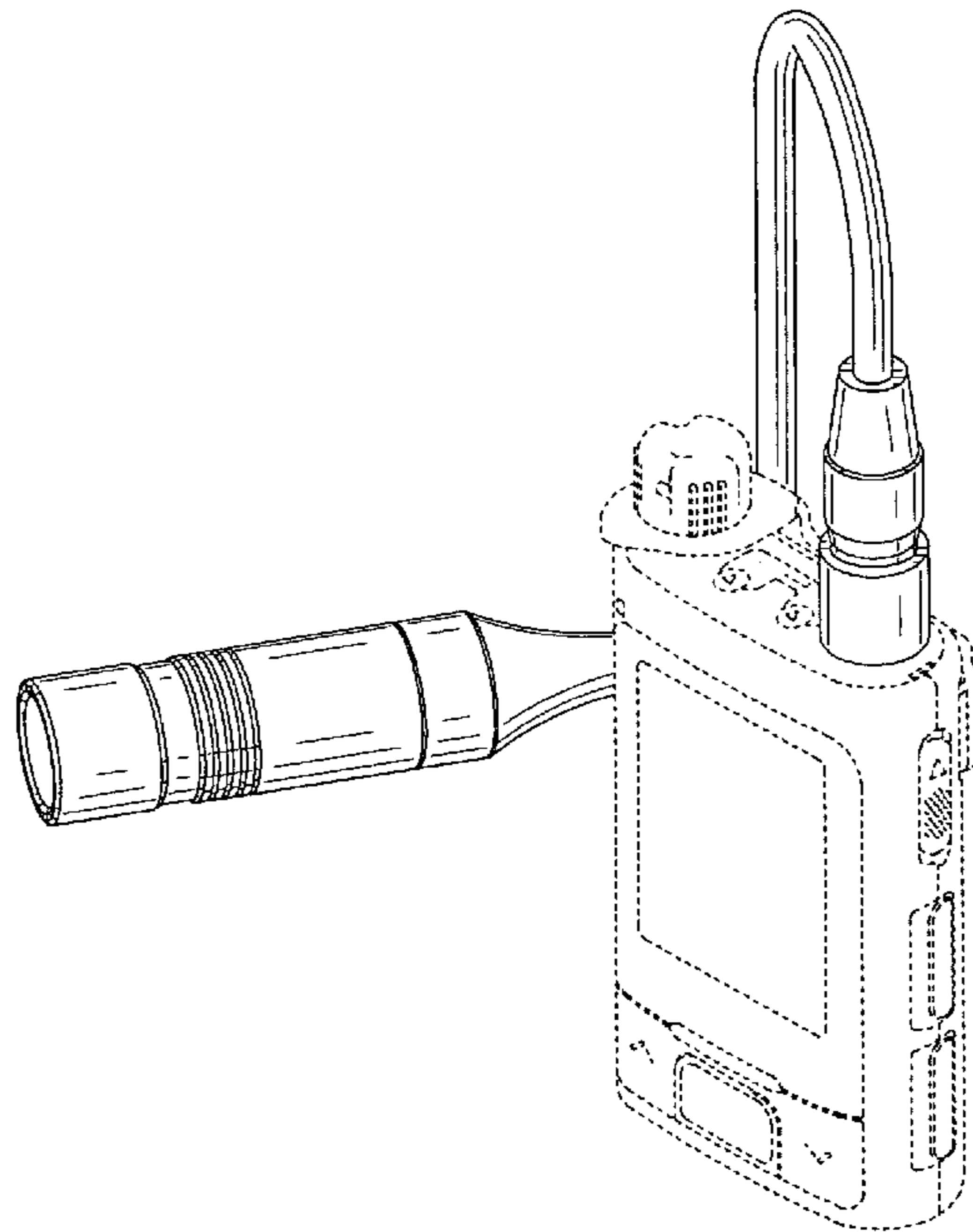
It is understood that a camera head for a video recorder shown cut away in the center is to indicate that no particular length is claimed.

(56) **References Cited**

U.S. PATENT DOCUMENTS

4,590,923 A * 5/1986 Watanabe 600/102
4,756,304 A * 7/1988 Watanabe 600/112
4,963,903 A * 10/1990 Cane 396/428
D375,319 S * 11/1996 Johnson et al. D16/202
D377,032 S * 12/1996 Morooka D16/202
5,612,732 A * 3/1997 Yuyama et al. 348/14.01
D379,189 S * 5/1997 Maruyama et al. D16/202
D403,338 S * 12/1998 Dunn D16/131
D536,011 S * 1/2007 Dayan D16/208

1 Claim, 4 Drawing Sheets



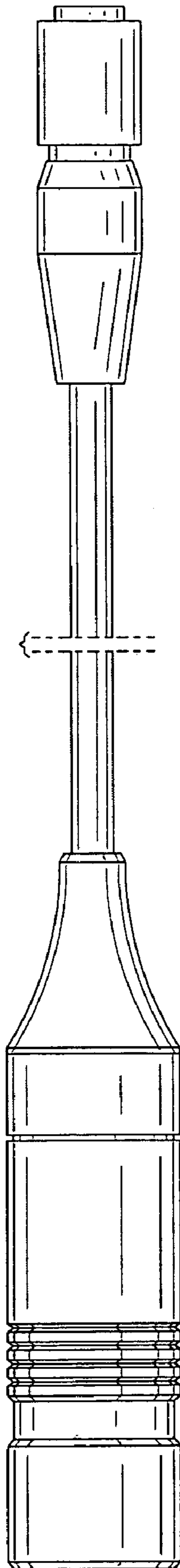


FIG. 1

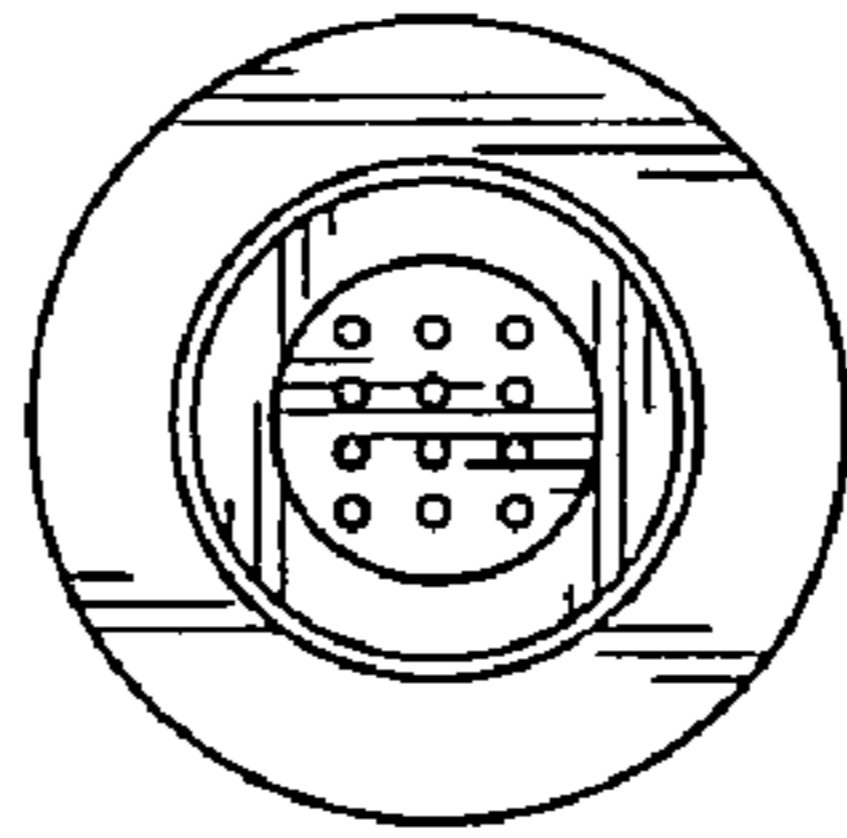


FIG. 2

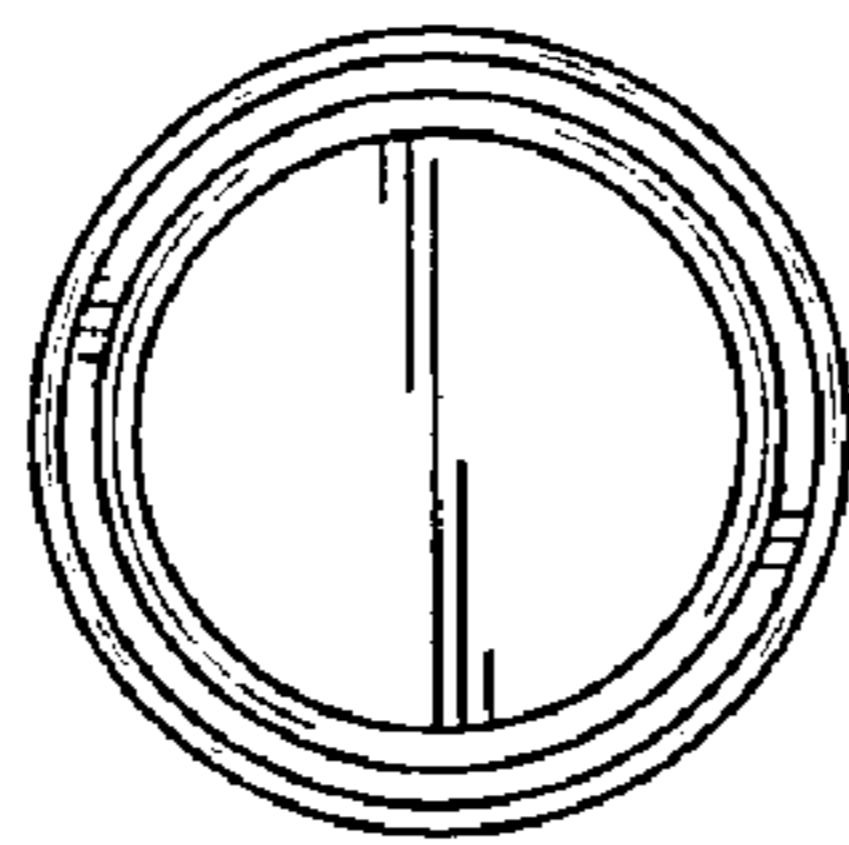


FIG. 3

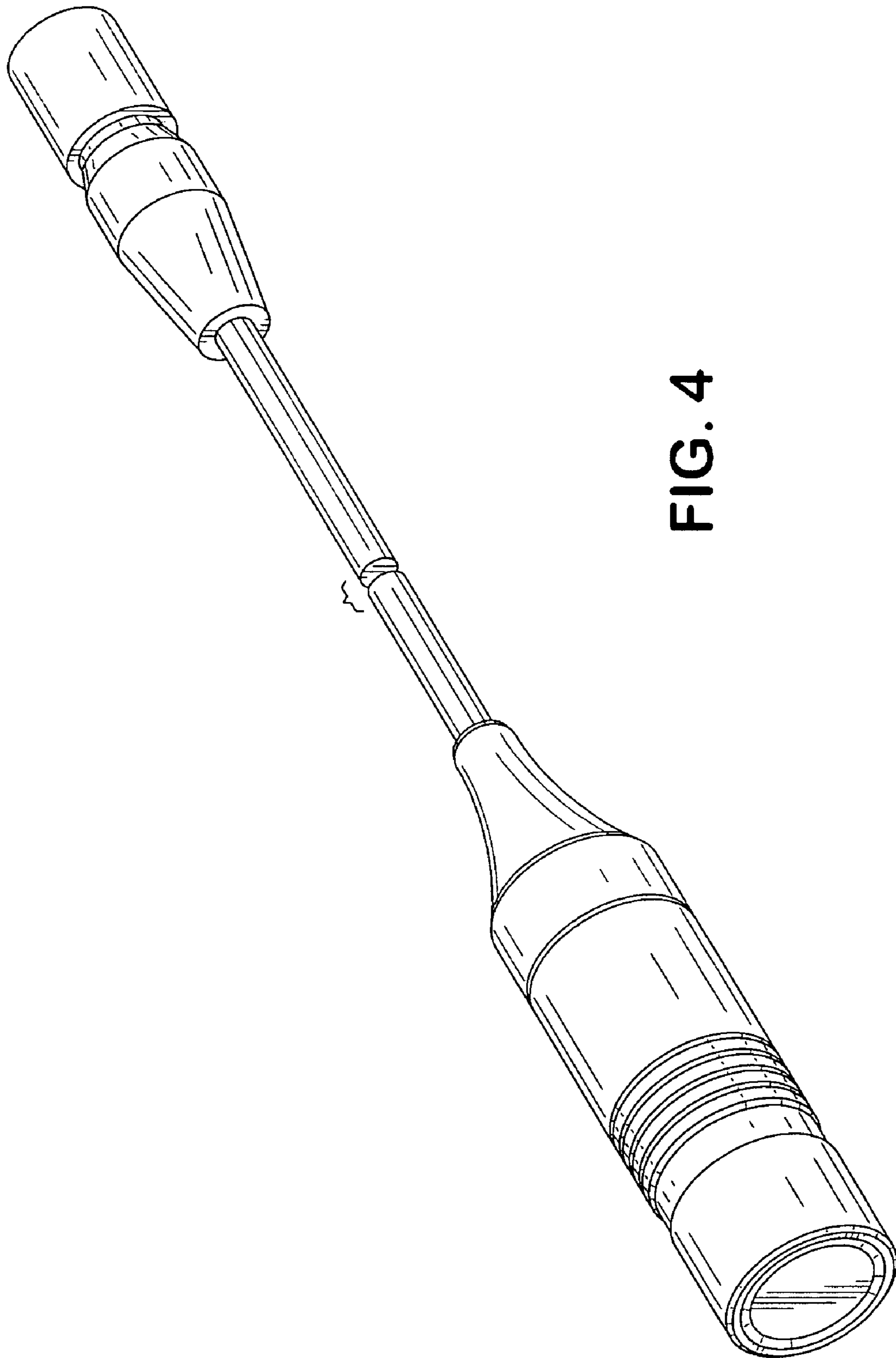


FIG. 4

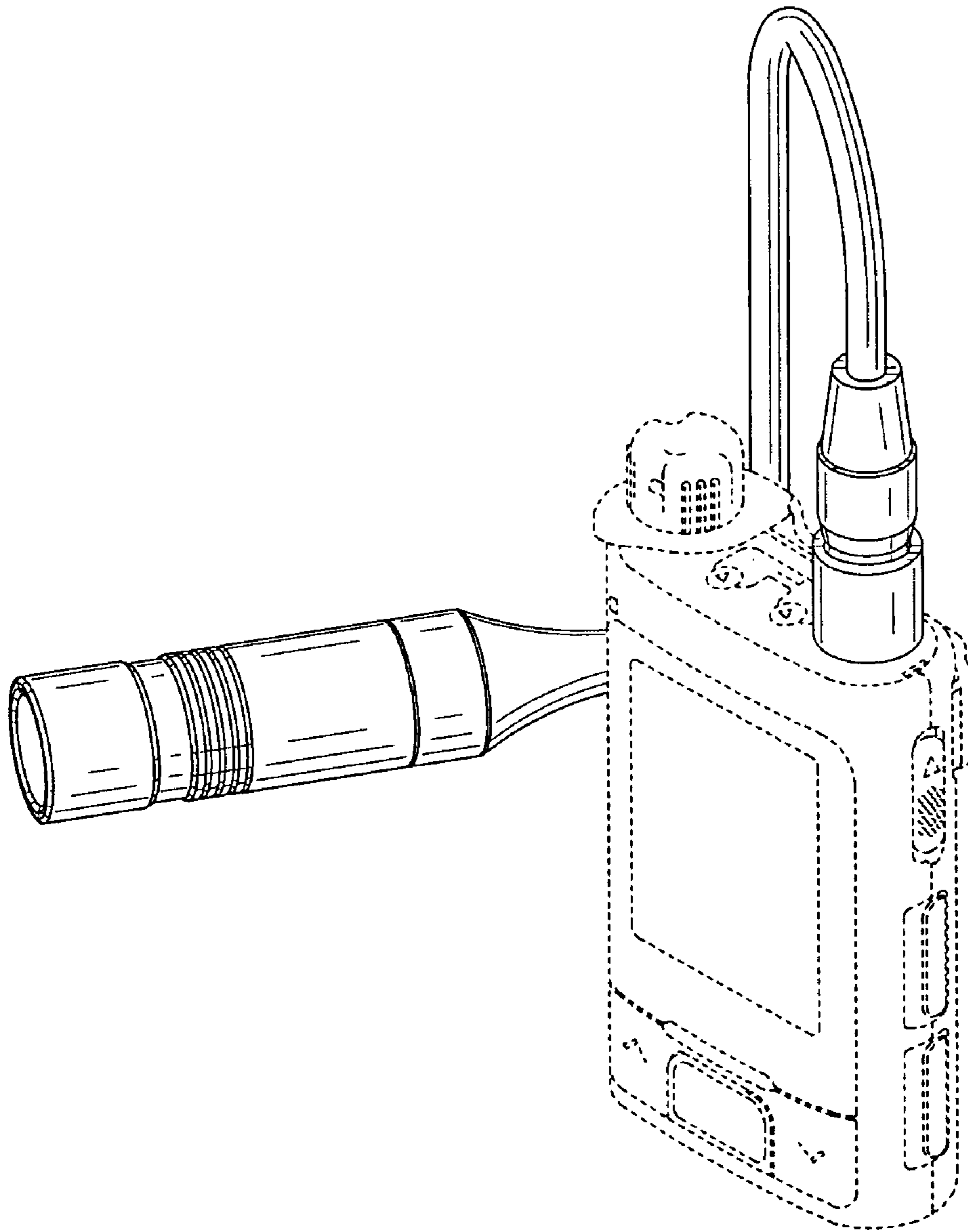


FIG. 5