



US00D583845S

(12) **United States Design Patent**
Hayashi et al.

(10) **Patent No.:** **US D583,845 S**
(45) **Date of Patent:** **** Dec. 30, 2008**

(54) **MONITOR CAMERA WITH A PHONE FUNCTION**

7,202,904 B2 * 4/2007 Wei 348/373
D550,738 S * 9/2007 Hsia D16/203
D555,692 S * 11/2007 Liu et al. D16/203
D558,249 S * 12/2007 Hsia D16/203
D576,652 S * 9/2008 Willis D16/208

(75) Inventors: **Tomoyuki Hayashi**, Tokyo (JP);
Yoshikazu Ishii, Tokyo (JP)

(73) Assignee: **Oki Electric Industry Co., Ltd.**, Tokyo (JP)

* cited by examiner

Primary Examiner—Adir Aronovich
(74) *Attorney, Agent, or Firm*—Ladas and Parry LLP

(**) Term: **14 Years**

(21) Appl. No.: **29/294,767**

(57) **CLAIM**

(22) Filed: **Jan. 25, 2008**

The ornamental design for a monitor camera with a phone function, as shown and described.

(30) **Foreign Application Priority Data**

Jul. 25, 2007 (JP) 2007-020188

DESCRIPTION

(51) **LOC (8) Cl.** **16-01**

FIG. 1 is a front elevational view of a monitor camera with a phone function showing our new design;

(52) **U.S. Cl.** **D16/203; D14/130; D14/144**

FIG. 2 is a front elevational view thereof;

(58) **Field of Classification Search** D14/130,
D14/144; D16/200–205, 208, 218; 348/143,
348/151, 373–376; 358/906; 396/535–541

FIG. 3 is a right side elevational view thereof;

See application file for complete search history.

FIG. 4 is a left side elevational view thereof;

FIG. 5 is a top plan view thereof; and,

FIG. 6 is a bottom plan view thereof.

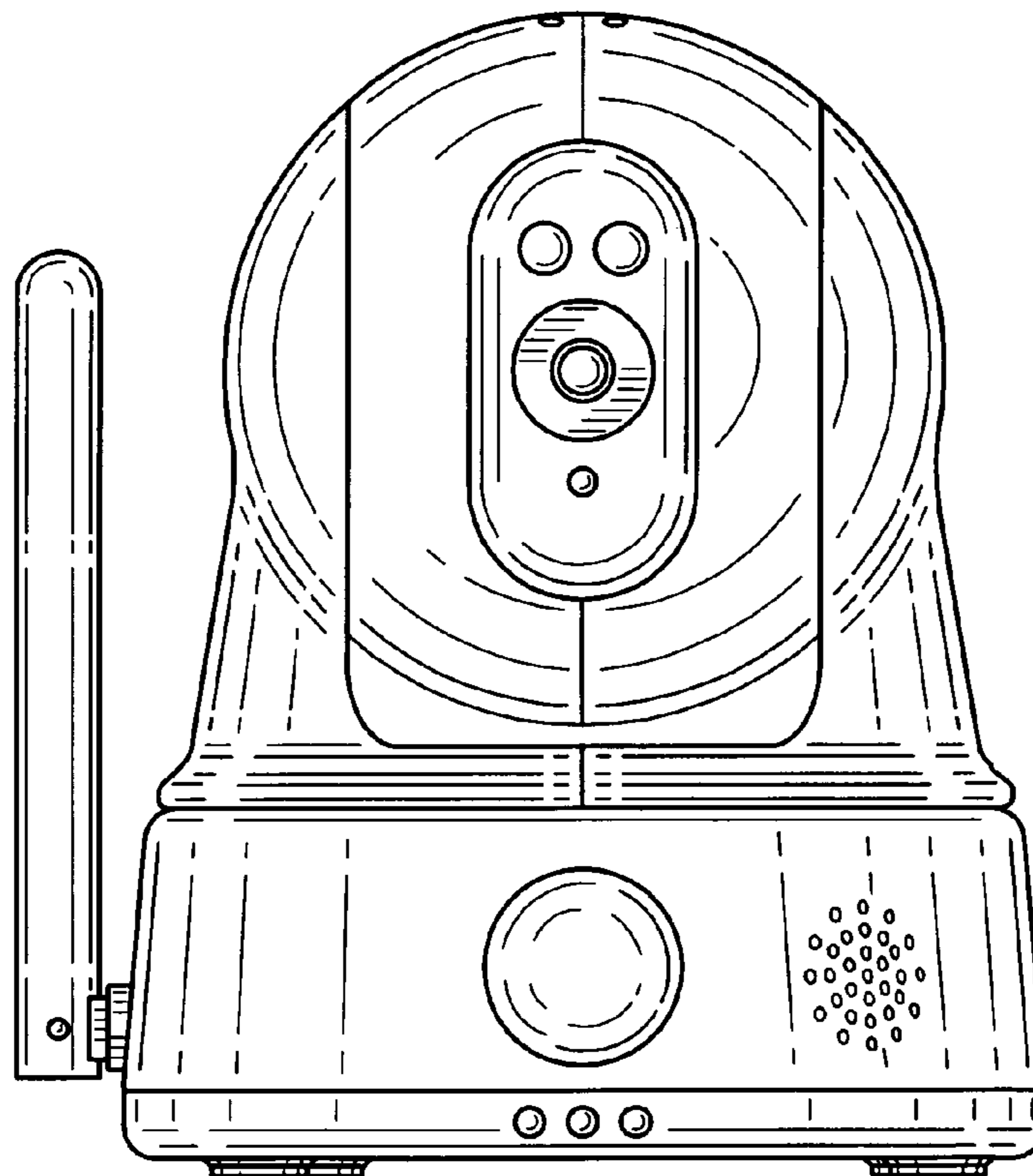
(56) **References Cited**

The portions of the camera in broken lines are shown for illustrative purposes only and form no part of the claimed design.

U.S. PATENT DOCUMENTS

D402,677 S * 12/1998 Hiraguchi D16/203
D429,743 S * 8/2000 Renkis D16/203
D517,585 S * 3/2006 Iino et al. D16/203

1 Claim, 6 Drawing Sheets



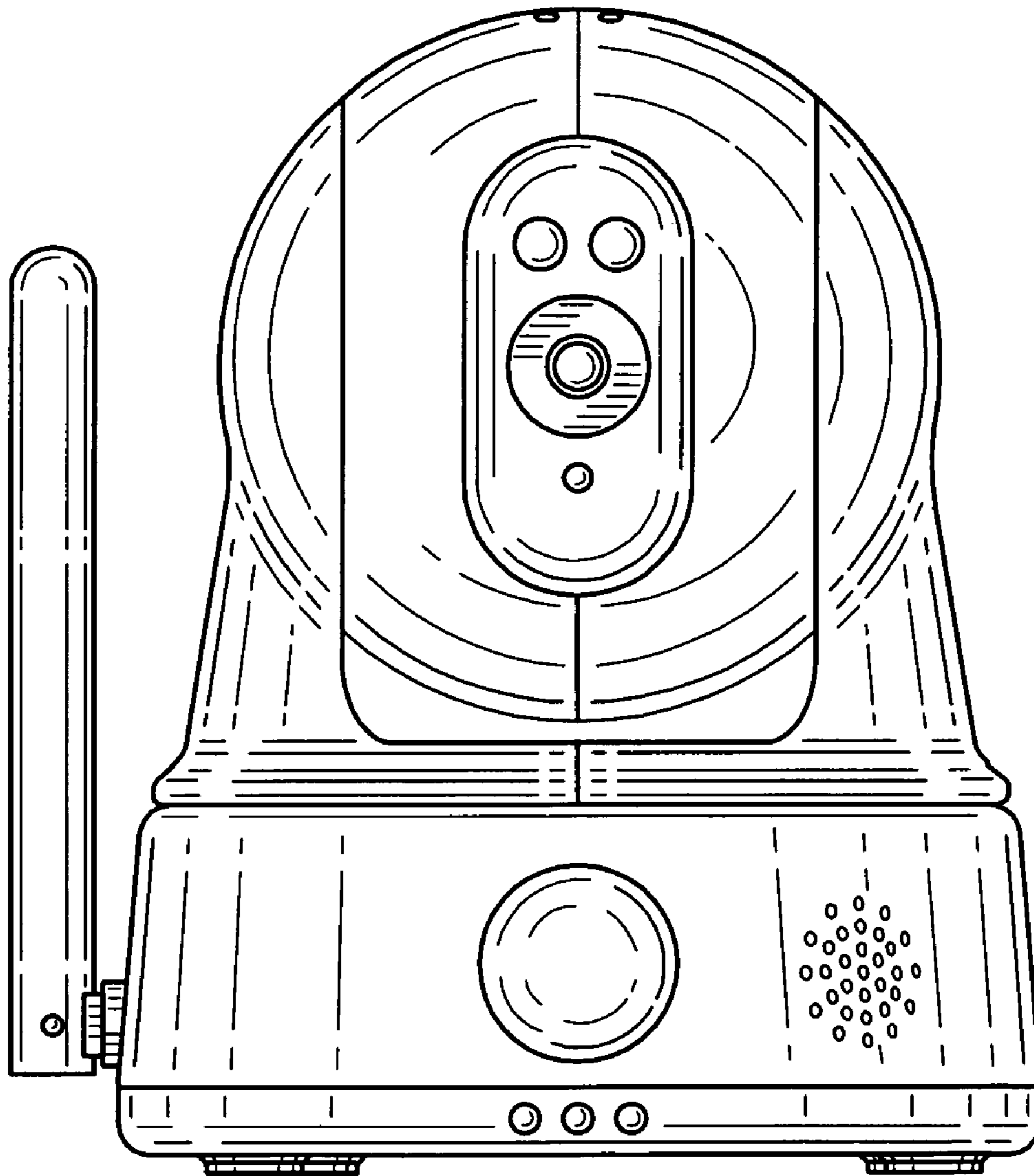


FIG. 1

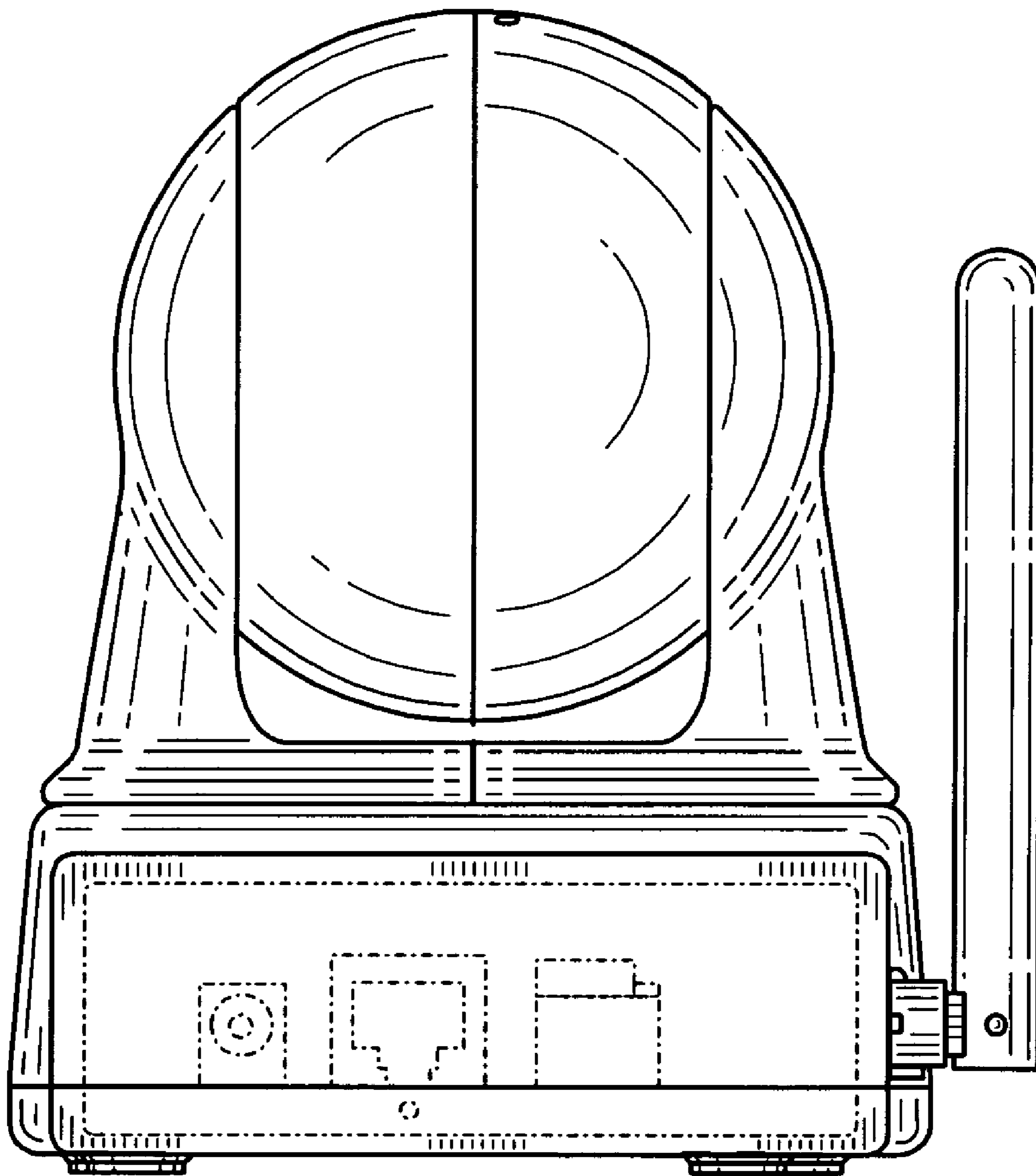


FIG. 2

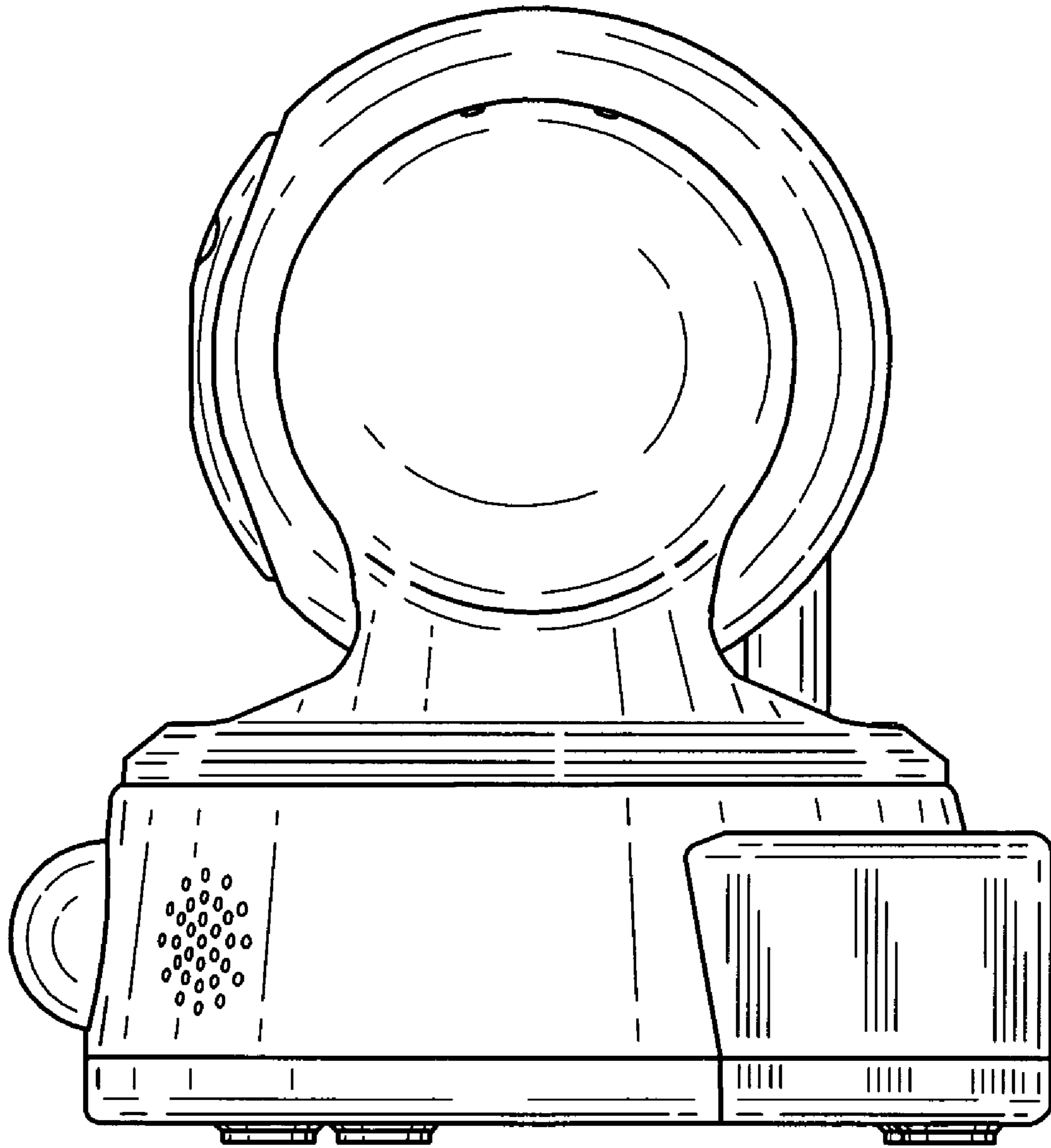


FIG. 3

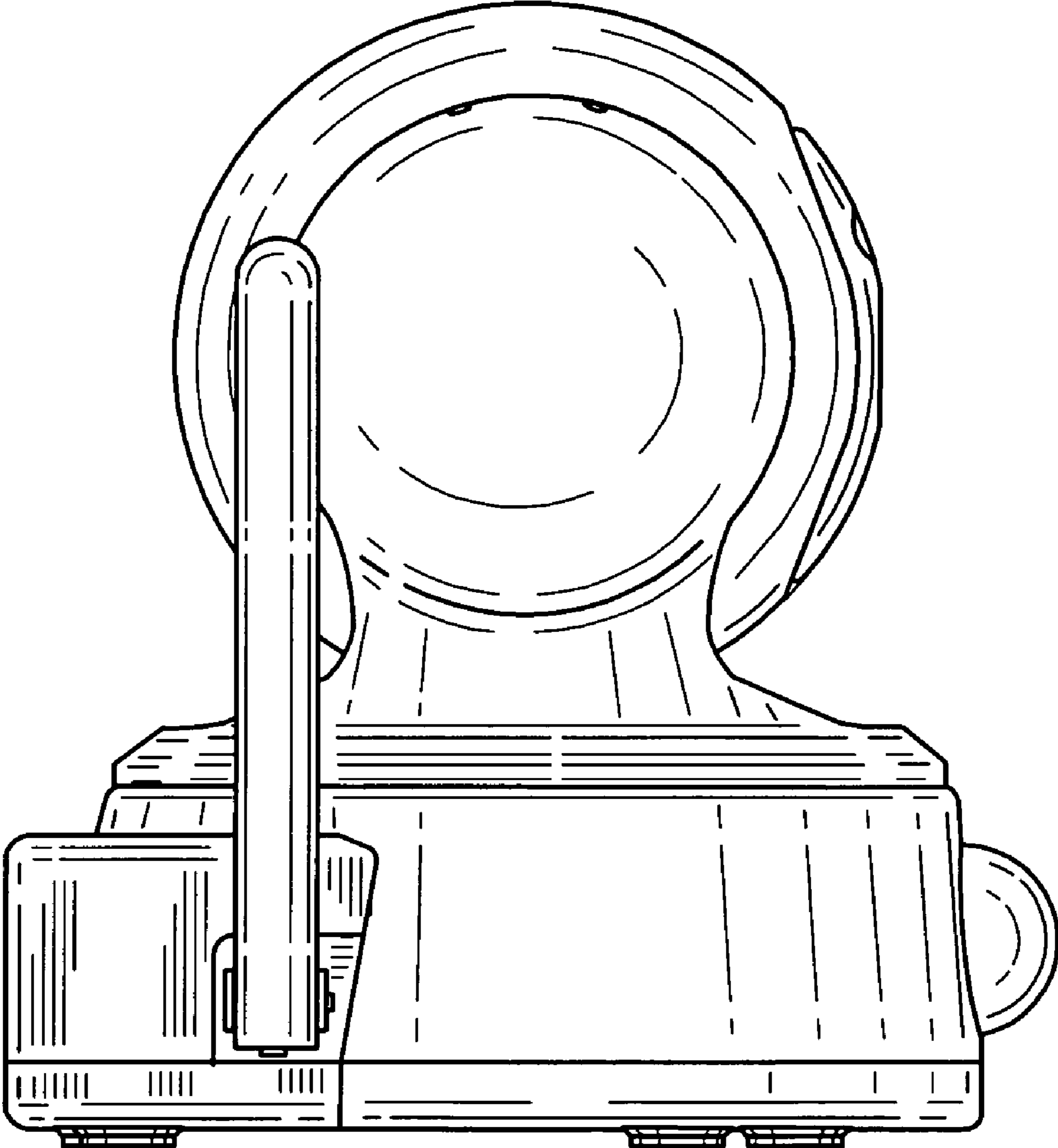


FIG. 4

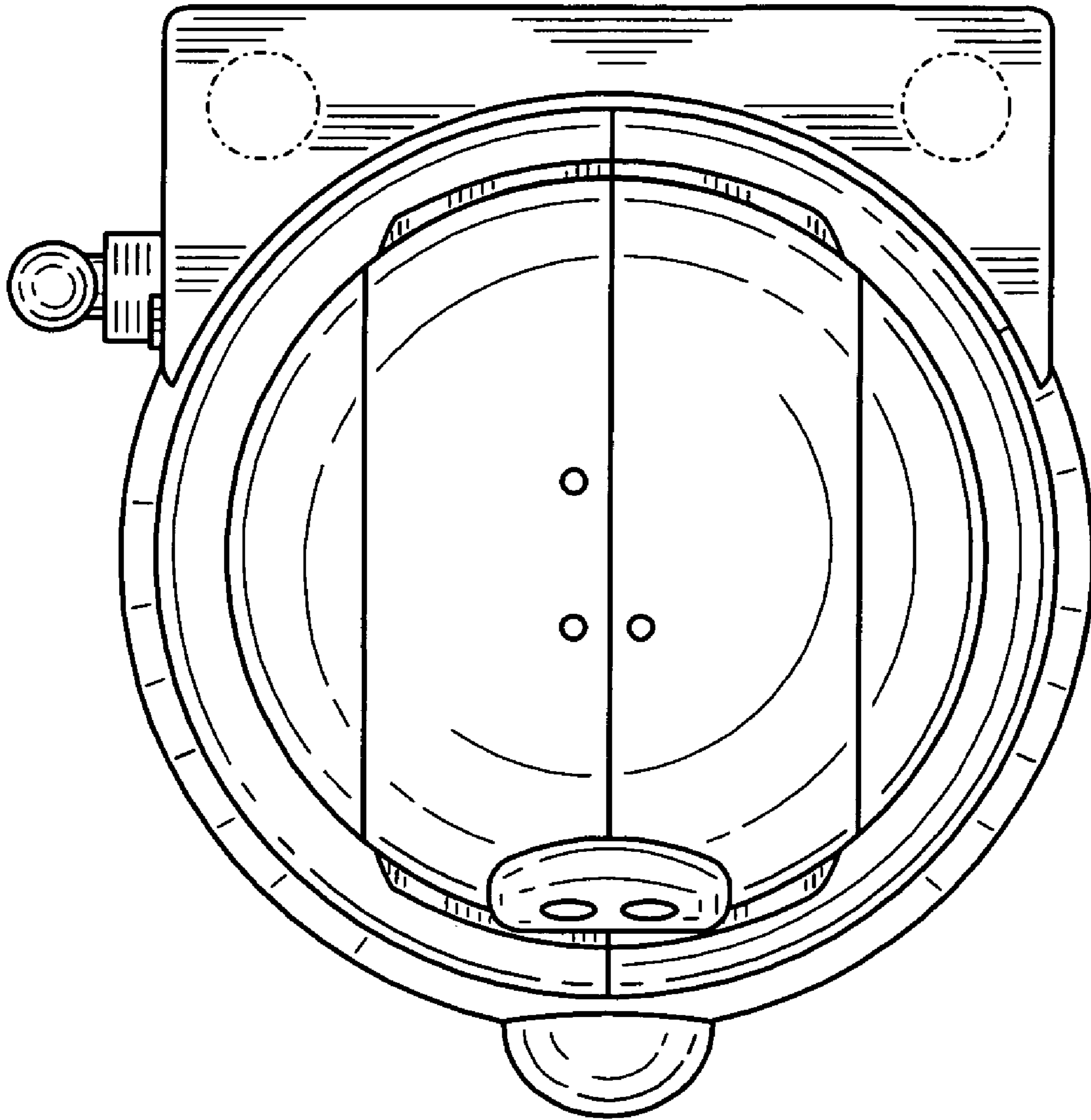


FIG. 5

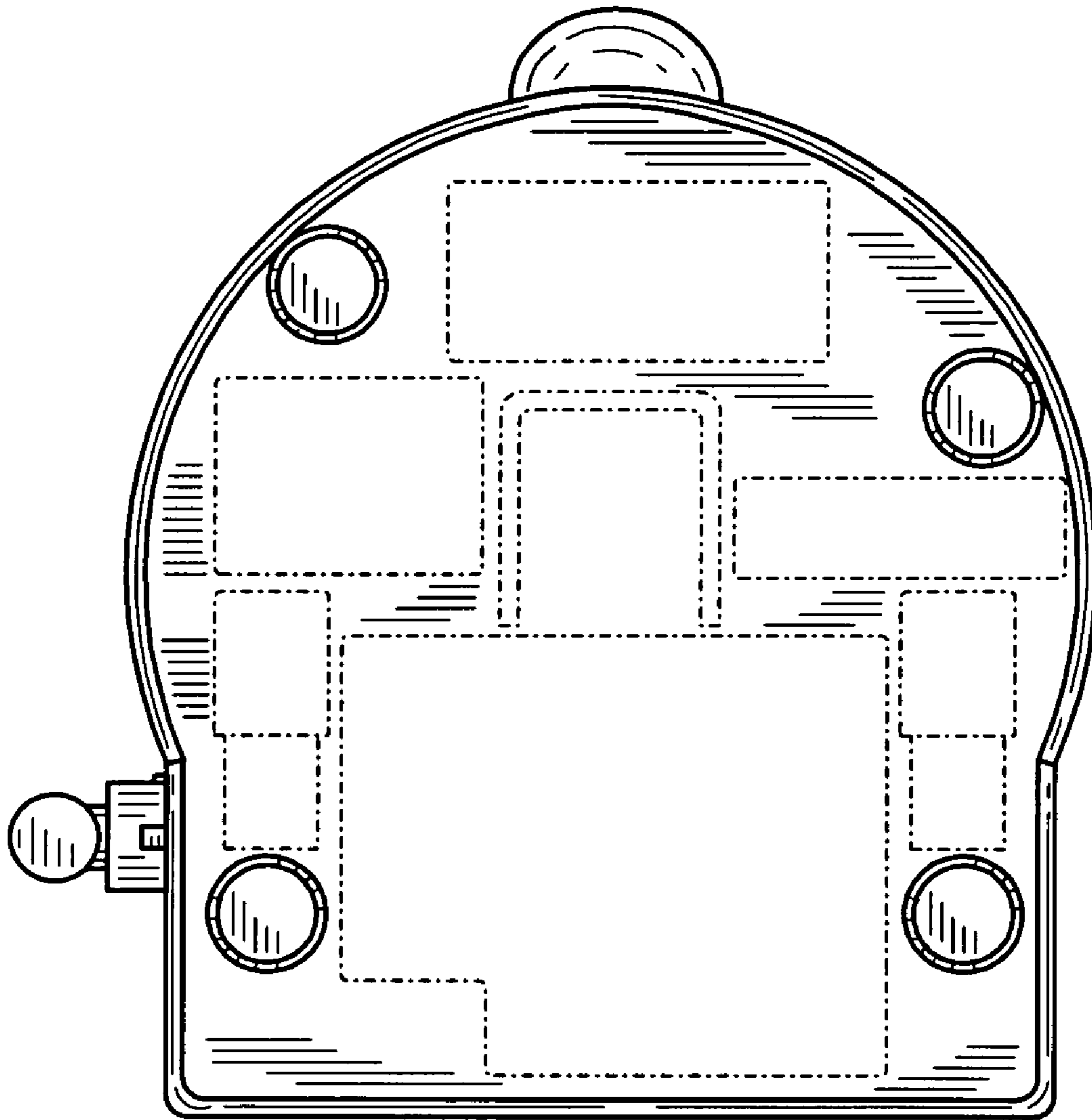


FIG. 6