



US00D583843S

(12) **United States Design Patent**
Yip et al.

(10) **Patent No.:** **US D583,843 S**

(45) **Date of Patent:** **** Dec. 30, 2008**

(54) **BOTTLE INDICIA MAGNIFIER**

(75) Inventors: **Gin Fai Yip**, North Point (HK); **Bryan Yip**, Kowloon (HK)

(73) Assignees: **Leading Extreme Optimist Industries, Ltd.**, Chai Wan (HK); **Carson Optical, Inc.**, Hauppauge, NY (US)

(**) Term: **14 Years**

(21) Appl. No.: **29/302,948**

(22) Filed: **Jan. 29, 2008**

(51) **LOC (8) Cl.** **16-06**

(52) **U.S. Cl.** **D16/135**

(58) **Field of Classification Search** D16/130,
D16/135; 359/808, 809, 810, 811, 816, 818;
D21/333; D10/85, 86; D26/38, 113; 73/146,
73/146.3

See application file for complete search history.

(56) **References Cited**

U.S. PATENT DOCUMENTS

2,150,916	A *	3/1939	Forgea	359/802
2,312,542	A *	3/1943	Goodman	359/793
D168,018	S *	10/1952	Cohn	D4/113
2,718,815	A *	9/1955	Manning	359/442
2,746,346	A *	5/1956	Gaire	359/442
2,876,674	A *	3/1959	Ohlhaver	359/807
3,387,531	A *	6/1968	Hesse	359/578
D246,047	S *	10/1977	Zalman	D16/135
D273,014	S *	3/1984	Cuoco	D16/135
5,130,853	A *	7/1992	Sakurai	359/803

D328,909	S *	8/1992	Sakurai	D16/135
D359,744	S *	6/1995	Peavey et al.	D16/130
5,659,887	A *	8/1997	Ooe	455/575.9
D399,515	S *	10/1998	Kung	D16/135
D416,948	S *	11/1999	Soga	D21/330
D426,860	S *	6/2000	Ho	D21/333
6,275,333	B1 *	8/2001	Shaffer	359/440
D460,495	S *	7/2002	Naghi et al.	D21/333
D499,091	S *	11/2004	Taylor et al.	D14/252
D544,512	S *	6/2007	Huang	D16/135
7,414,798	B1 *	8/2008	Yip et al.	359/802

* cited by examiner

Primary Examiner—Paula Greene

(74) *Attorney, Agent, or Firm*—Carmody & Torrance LLP

(57) **CLAIM**

The ornamental design for a bottle indicia magnifier, as shown and described.

DESCRIPTION

FIG. 1 is a perspective view of a bottle indicia magnifier showing our new design;

FIG. 2 is a top plan view of FIG. 1;

FIG. 3 is a bottom plan view of FIG. 1;

FIG. 4 is a right side elevational view of FIG. 1;

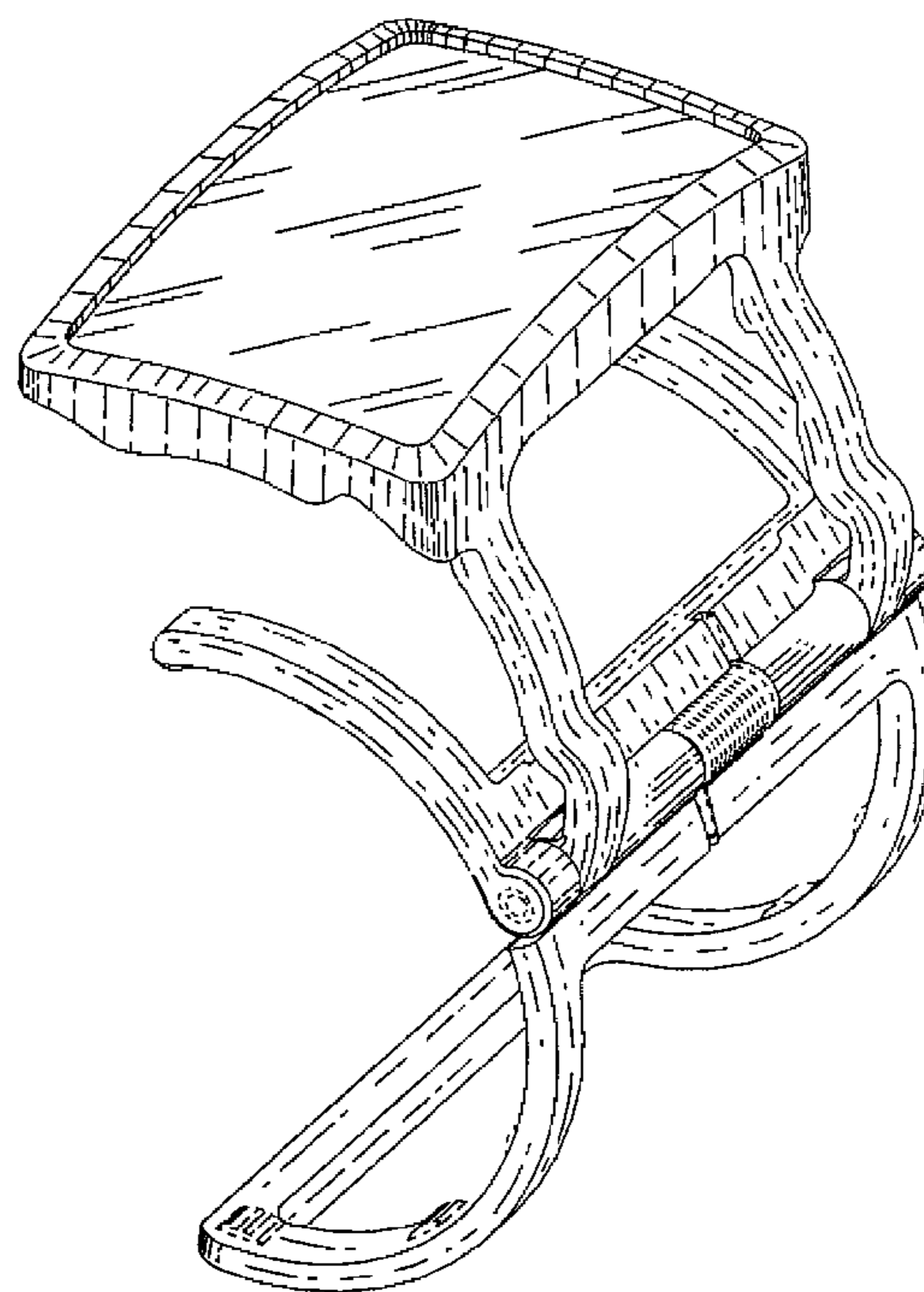
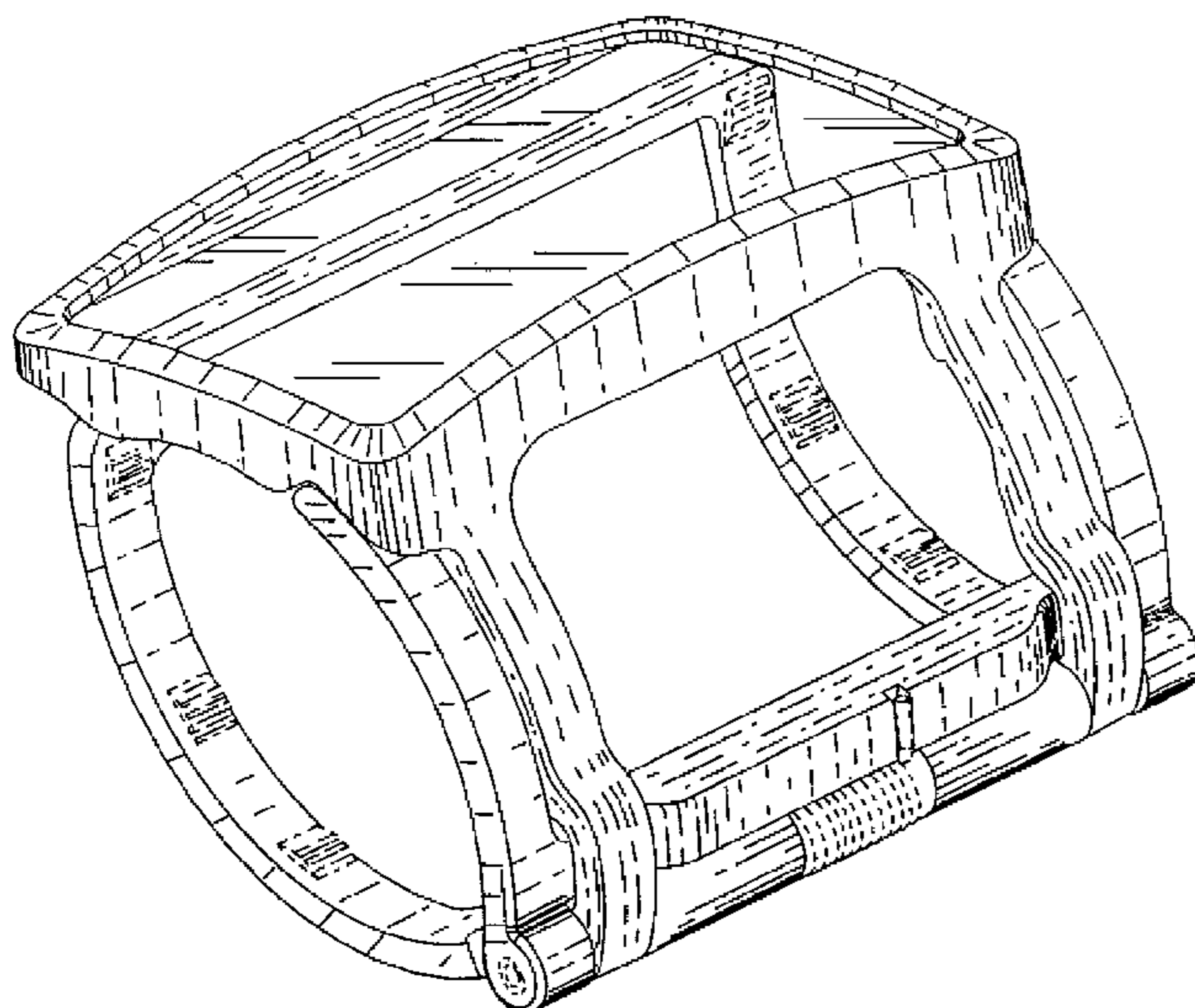
FIG. 5 is a left side elevational view of FIG. 1;

FIG. 6 is a first end elevational view of FIG. 1;

FIG. 7 is a second end elevational view of FIG. 1; and,

FIG. 8 is a perspective view of the bottle indicia magnifier in an opened position.

1 Claim, 8 Drawing Sheets



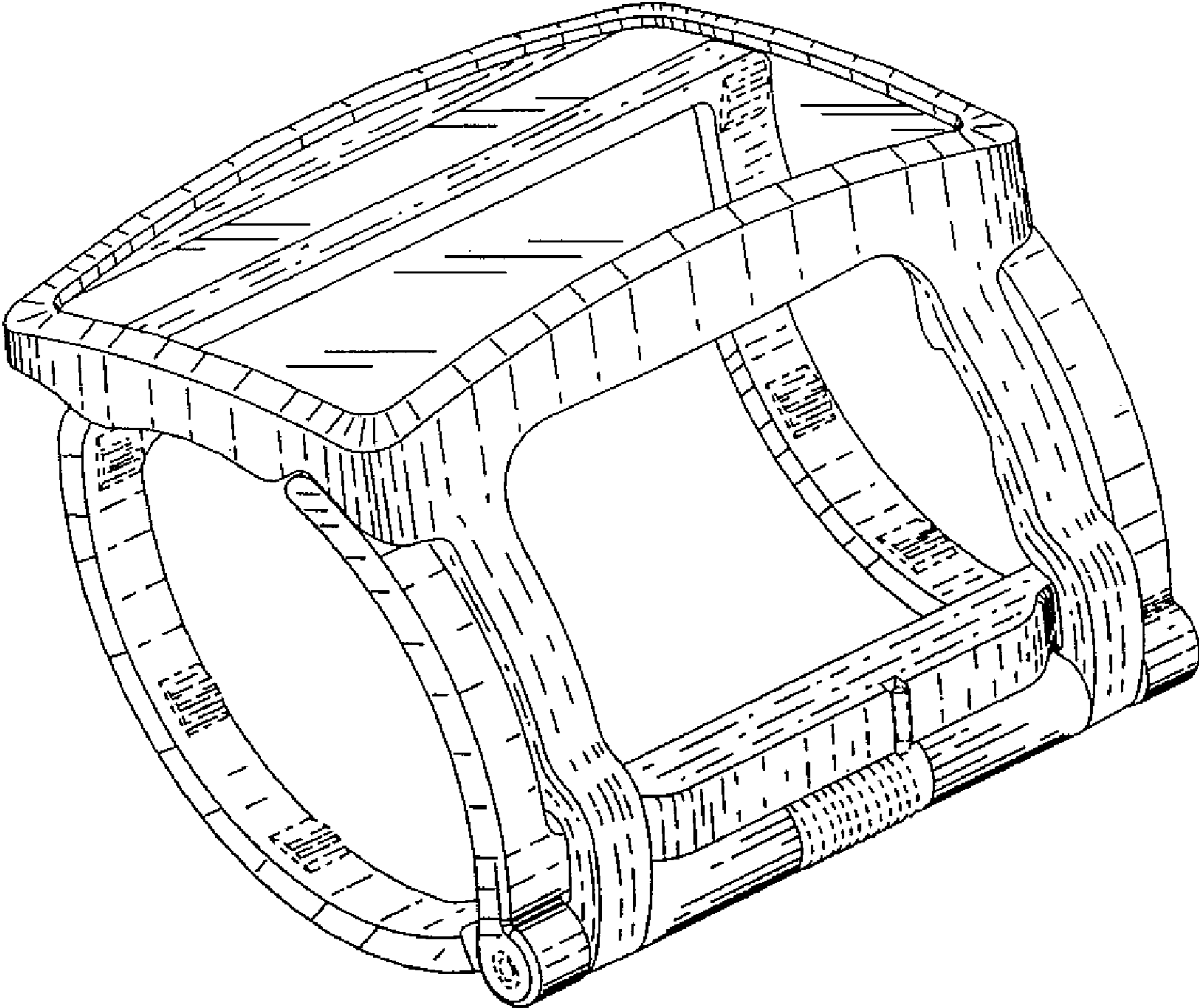


FIG. 1

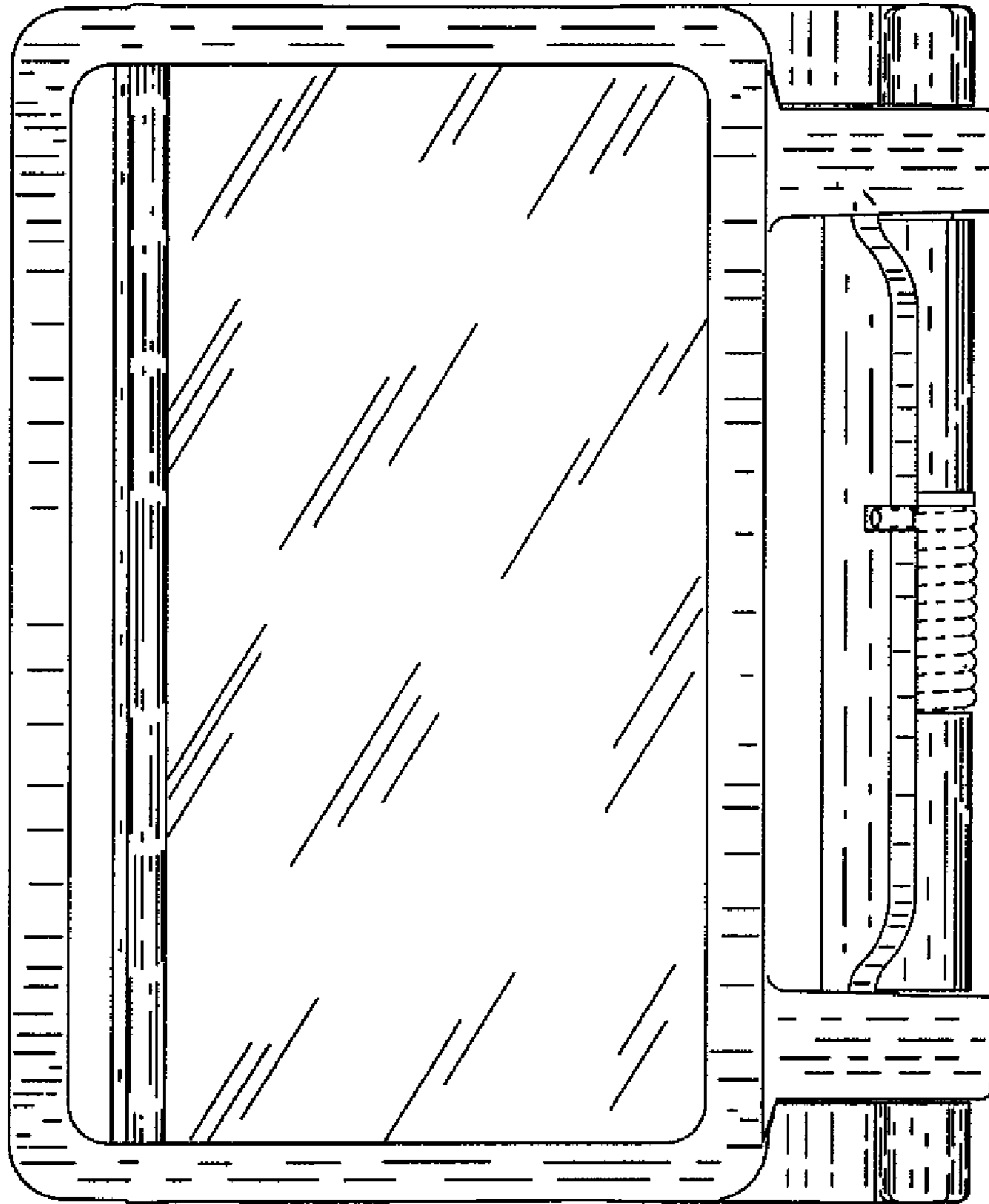


FIG. 2

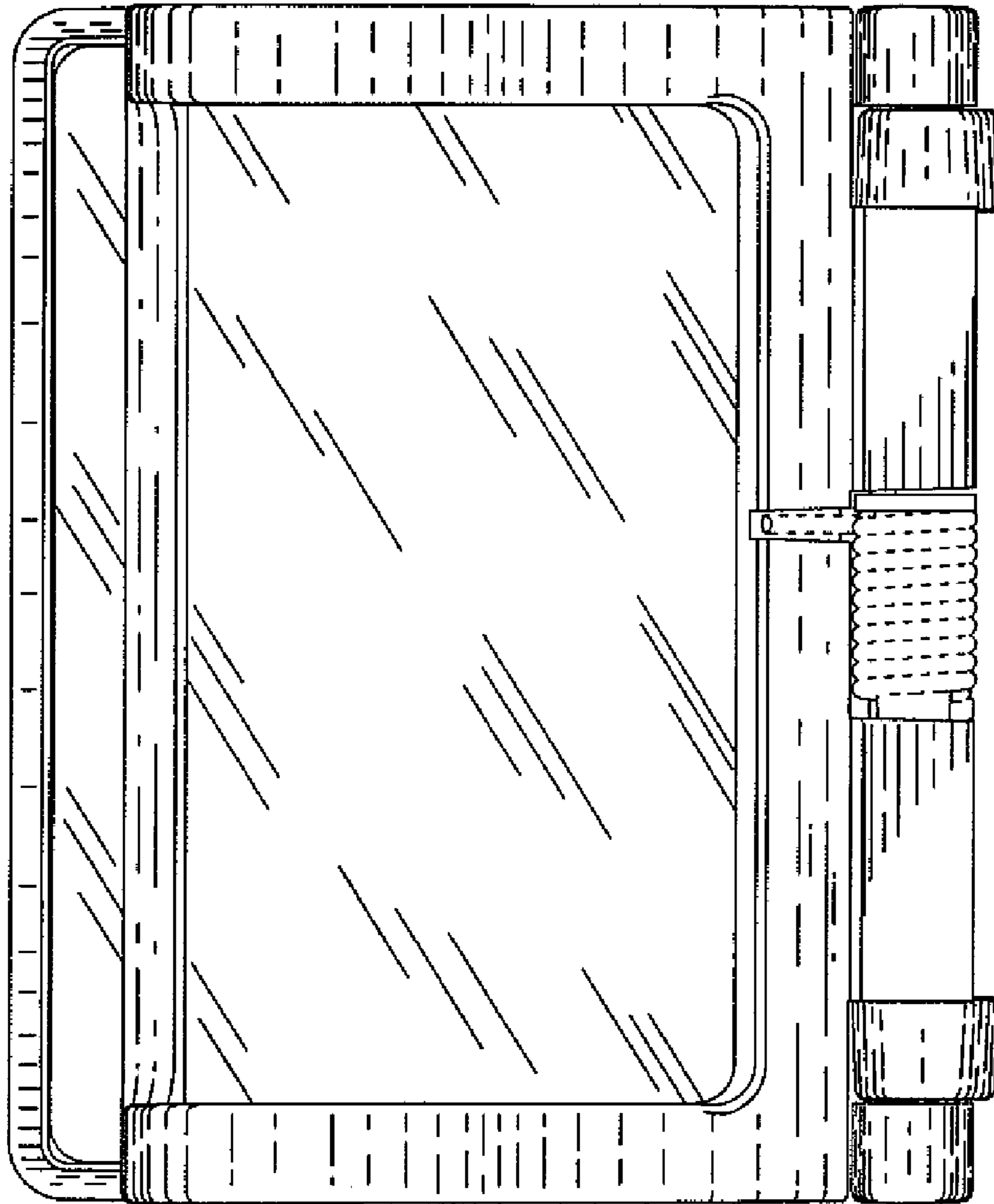


FIG. 3

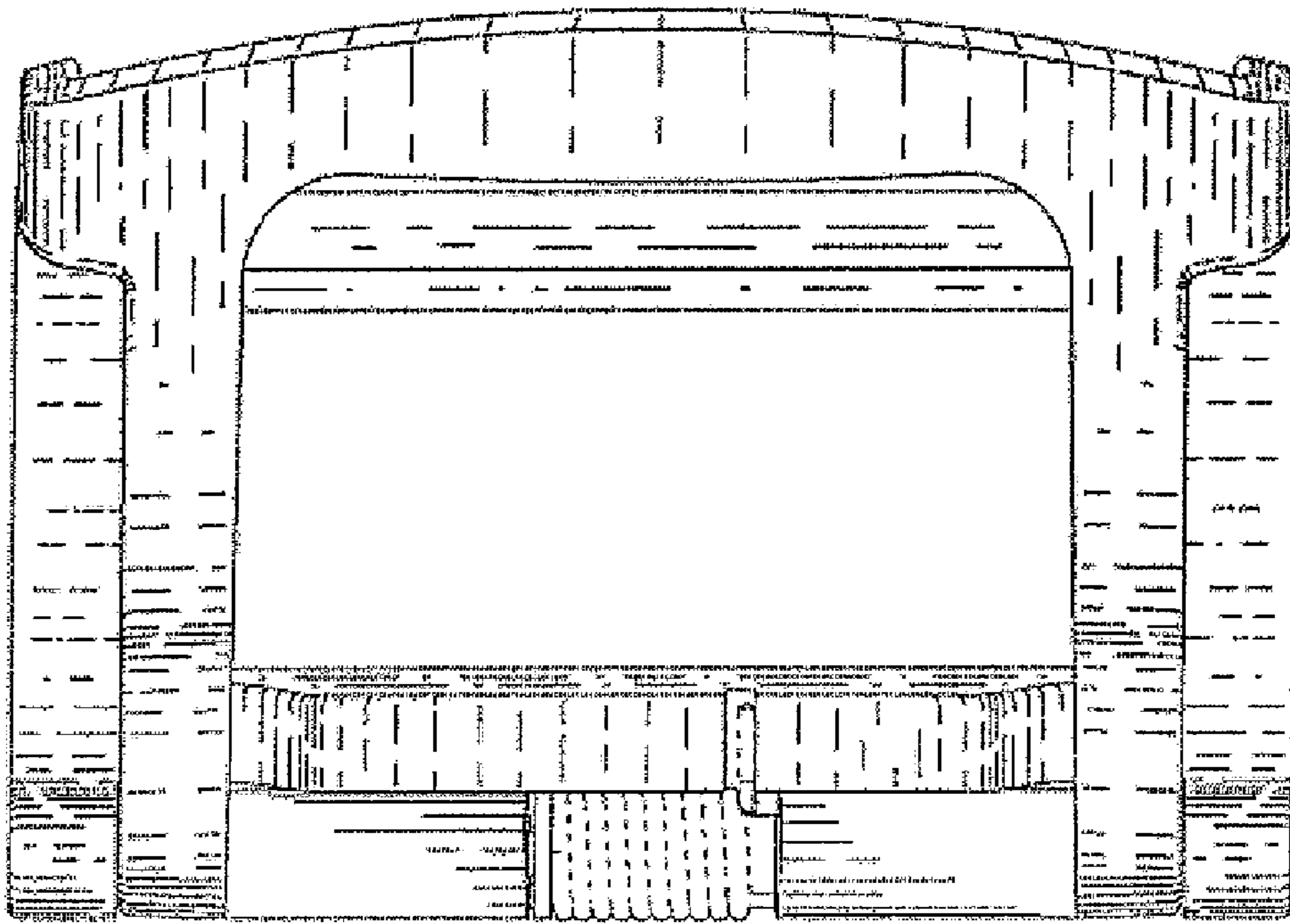


FIG. 4

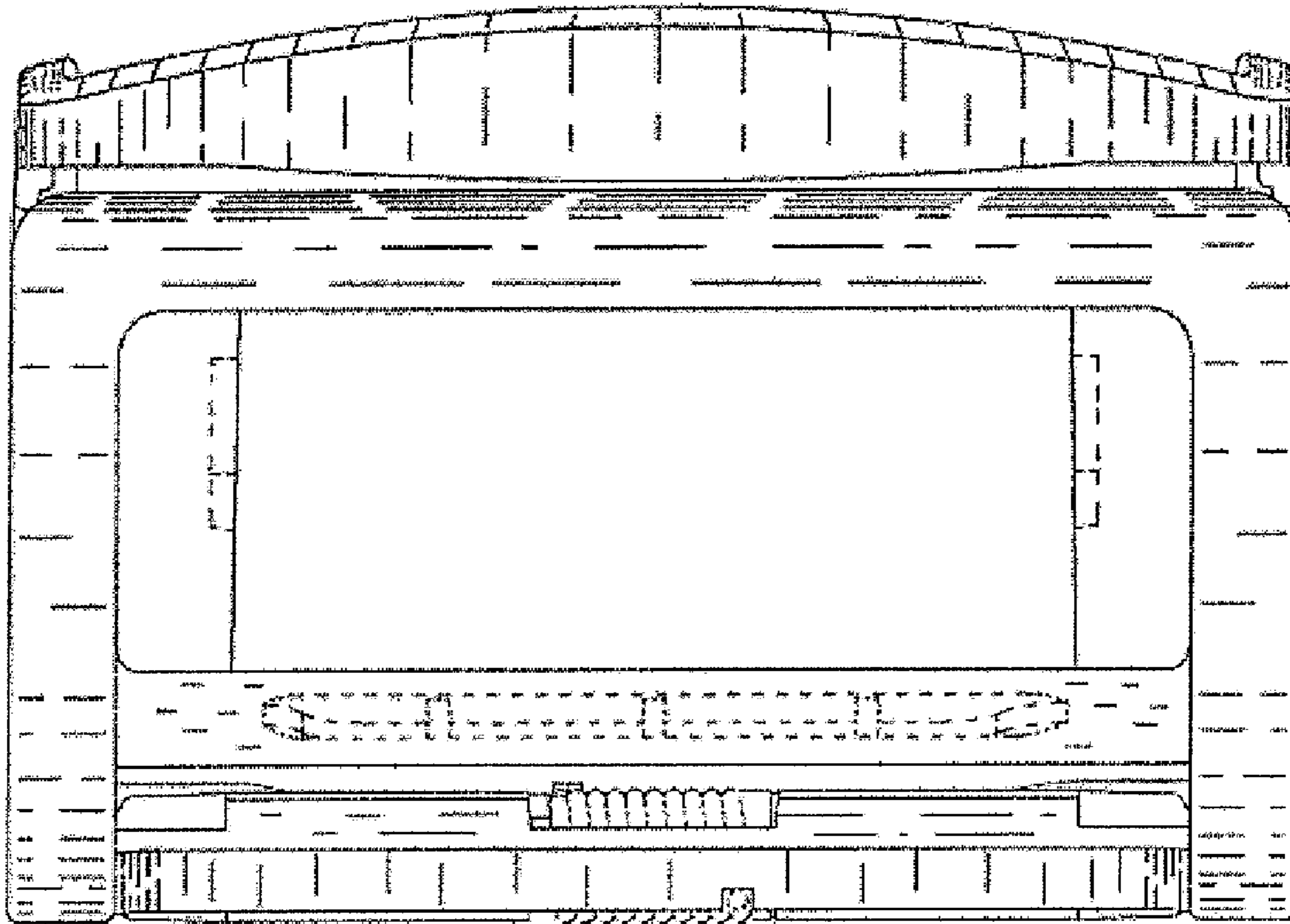


FIG. 5

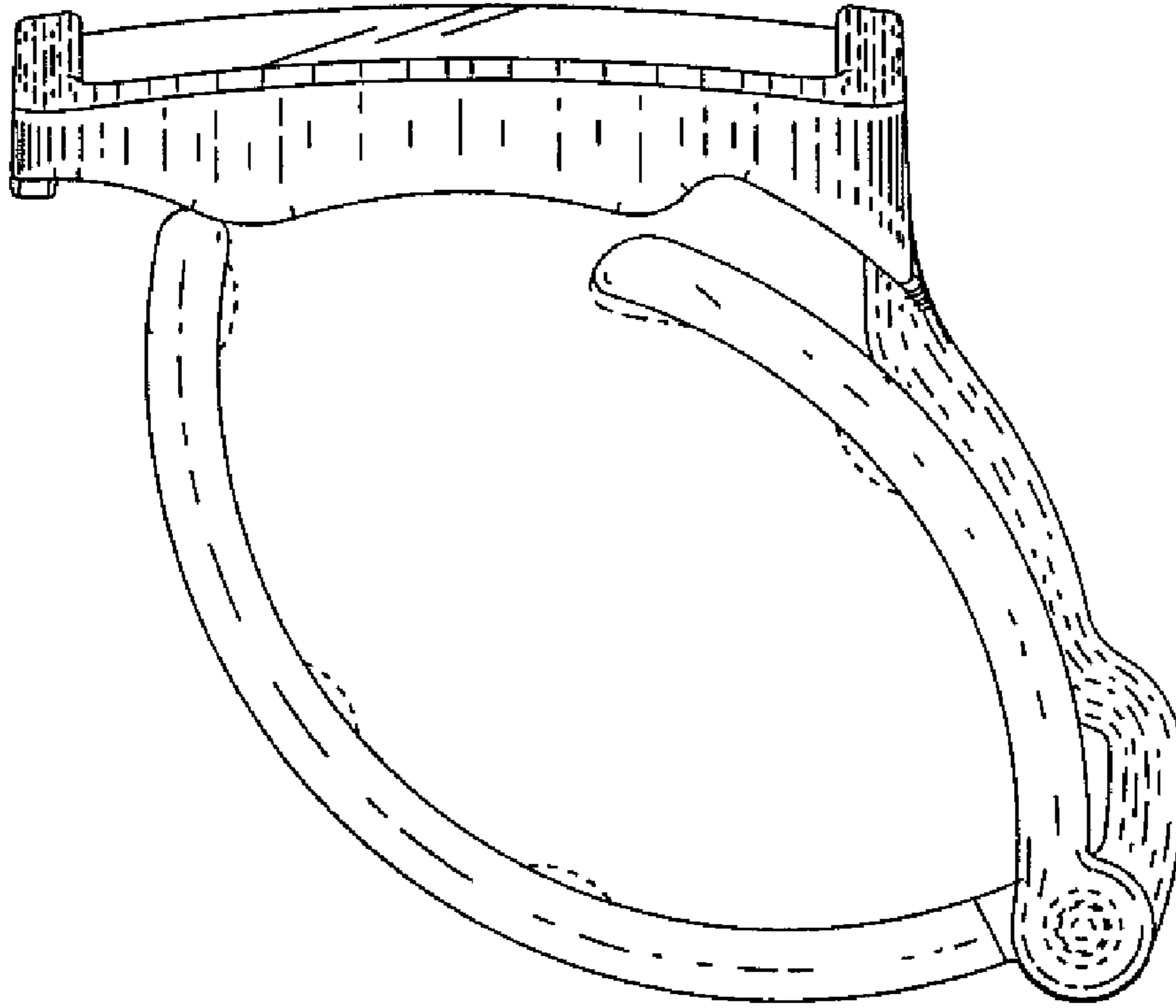


FIG. 6

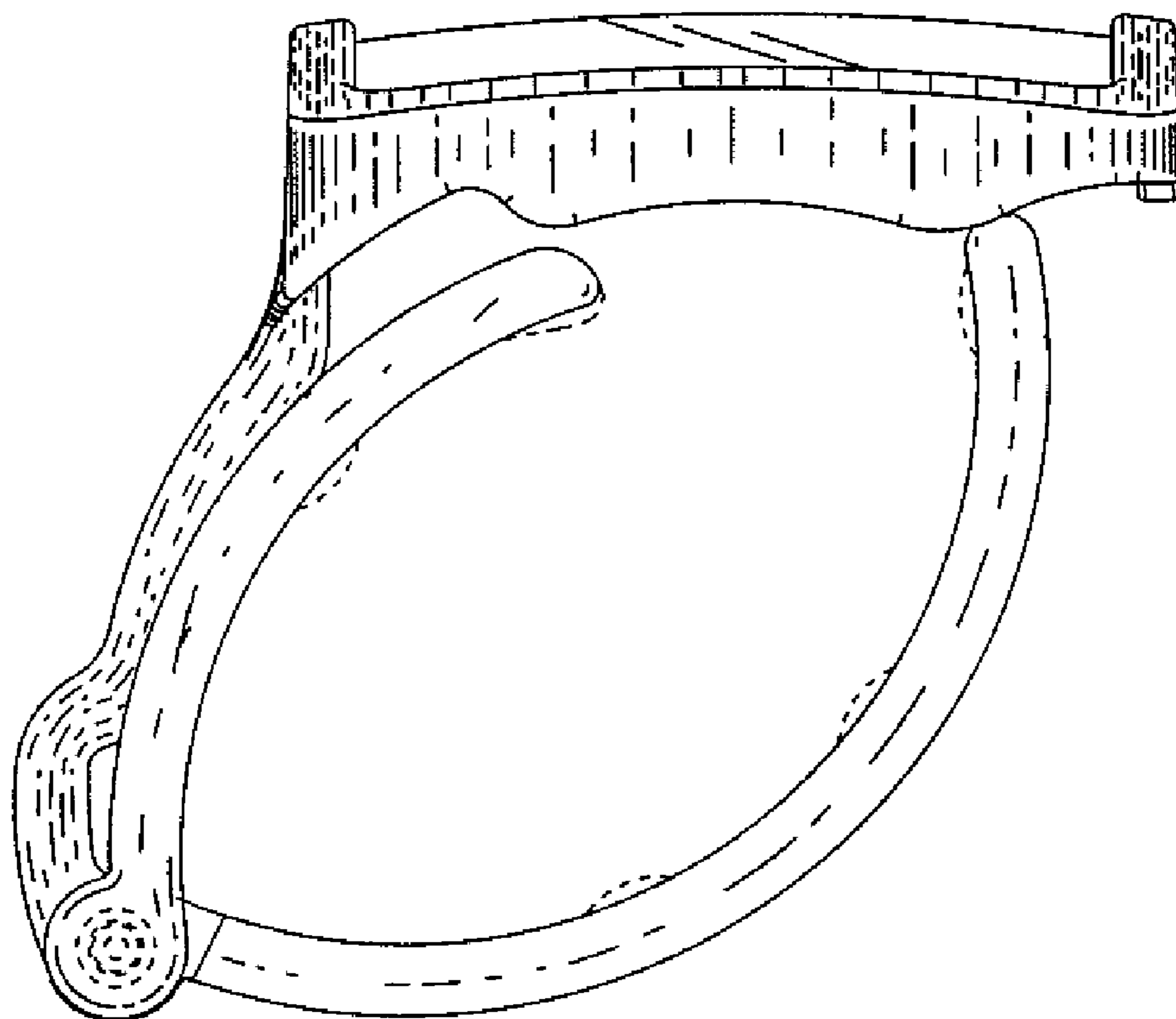


FIG. 7

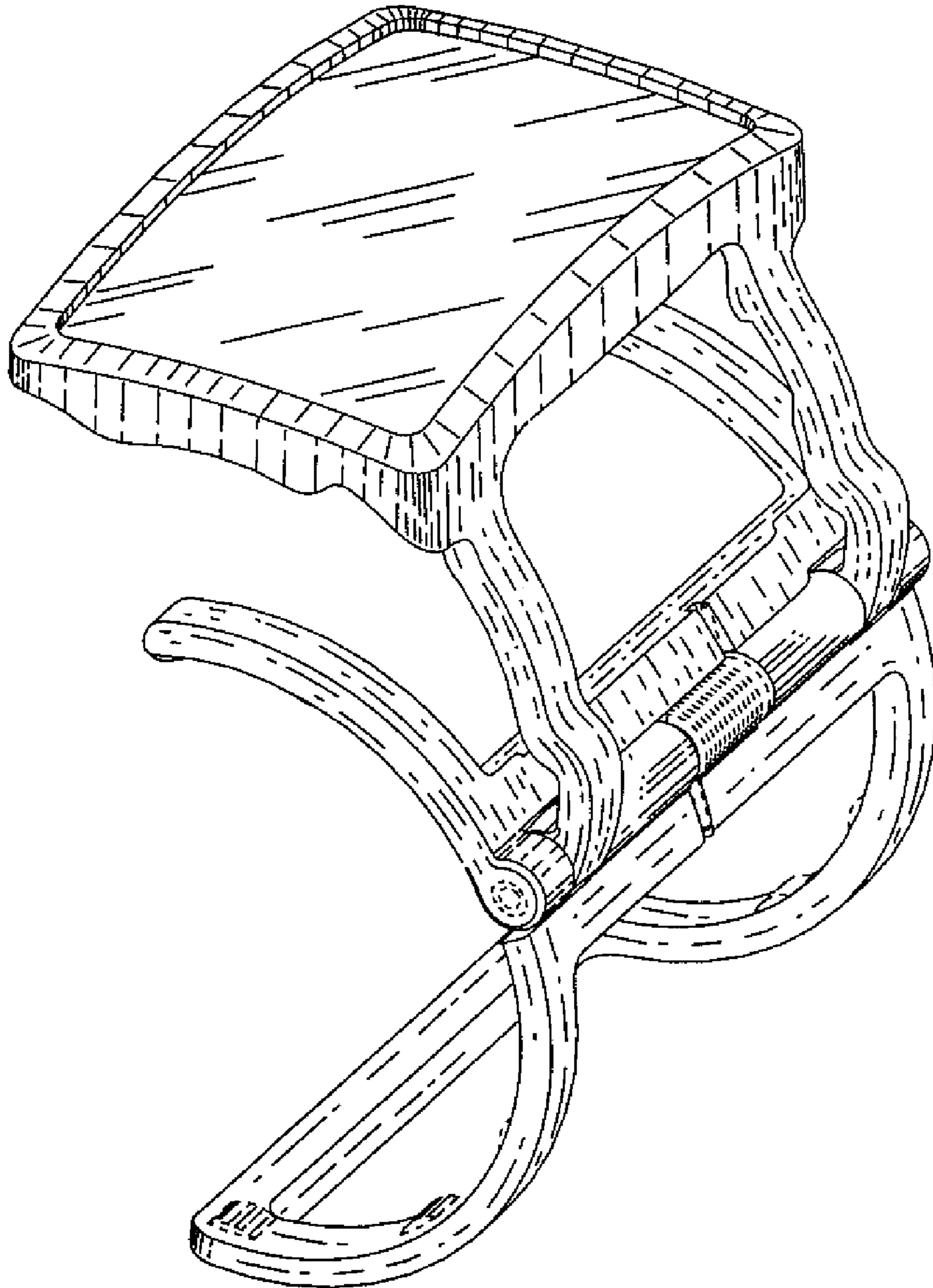


FIG. 8

UNITED STATES PATENT AND TRADEMARK OFFICE
CERTIFICATE OF CORRECTION

PATENT NO. : Des. 583,843 S
APPLICATION NO. : 29/302948
DATED : December 30, 2008
INVENTOR(S) : Bryan Yip et al.

Page 1 of 1

It is certified that error appears in the above-identified patent and that said Letters Patent is hereby corrected as shown below:

Title Page, please add the following immediately after the description of Fig. 8:

The dotted lines are intended to show features that are environmental only and form no part of the claimed design.

Signed and Sealed this

Seventeenth Day of February, 2009



JOHN DOLL
Acting Director of the United States Patent and Trademark Office