



US00D583841S

(12) **United States Design Patent**  
**Playford et al.**

(10) **Patent No.:** **US D583,841 S**  
(45) **Date of Patent:** **\*\* Dec. 30, 2008**

(54) **ANSI XLTI BEARING FRAME**

(75) Inventors: **Mark Alexander Playford**, Seneca Falls, NY (US); **David Lee Fergot**, Syracuse, NY (US); **Douglas Malcom Russell**, Syracuse, NY (US); **Len Howard Nicholas**, Syracuse, NY (US); **Douglas Paddock**, Penn Yan, NY (US)

(73) Assignee: **ITT Manufacturing Enterprises, Inc.**, Wilmington, DE (US)

(\*\*) Term: **14 Years**

(21) Appl. No.: **29/293,242**

(22) Filed: **Nov. 8, 2007**

(51) **LOC (8) Cl.** ..... **15-09**

(52) **U.S. Cl.** ..... **D15/143**

(58) **Field of Classification Search** ..... D15/7-8, D15/143; 384/412, 428, 447, 537  
See application file for complete search history.

(56) **References Cited**

**U.S. PATENT DOCUMENTS**

|            |        |                |
|------------|--------|----------------|
| D202,145 S | 8/1965 | Shroeder       |
| D303,670 S | 9/1989 | Adolfo         |
| D327,272 S | 6/1992 | Cadotte et al. |
| D349,710 S | 8/1994 | Moro           |
| D447,148 S | 8/2001 | Antony et al.  |
| D549,250 S | 8/2007 | Salomaa et al. |
| D549,254 S | 8/2007 | Salomaa et al. |
| D549,737 S | 8/2007 | Chu            |

D562,849 S 2/2008 Buitenhis et al.  
D573,159 S \* 7/2008 Etter ..... D15/7  
2003/0063826 A1 4/2003 Cevasco et al.

\* cited by examiner

*Primary Examiner*—Antoine D Davis

(57) **CLAIM**

We claim the ornamental design of a ANSI XLTI bearing frame, as shown and described herein.

**DESCRIPTION**

FIG. 1 is a perspective view of a bearing frame showing the present invention;

FIG. 2 is a perspective view of the bearing frame in FIG. 1 rotated clockwise into the page about 90° showing the present invention;

FIG. 3 is a side view of the bearing frame in FIG. 1 showing one side of the present invention;

FIG. 4 is a side view of the bearing frame in FIG. 1 showing the other side of the present invention;

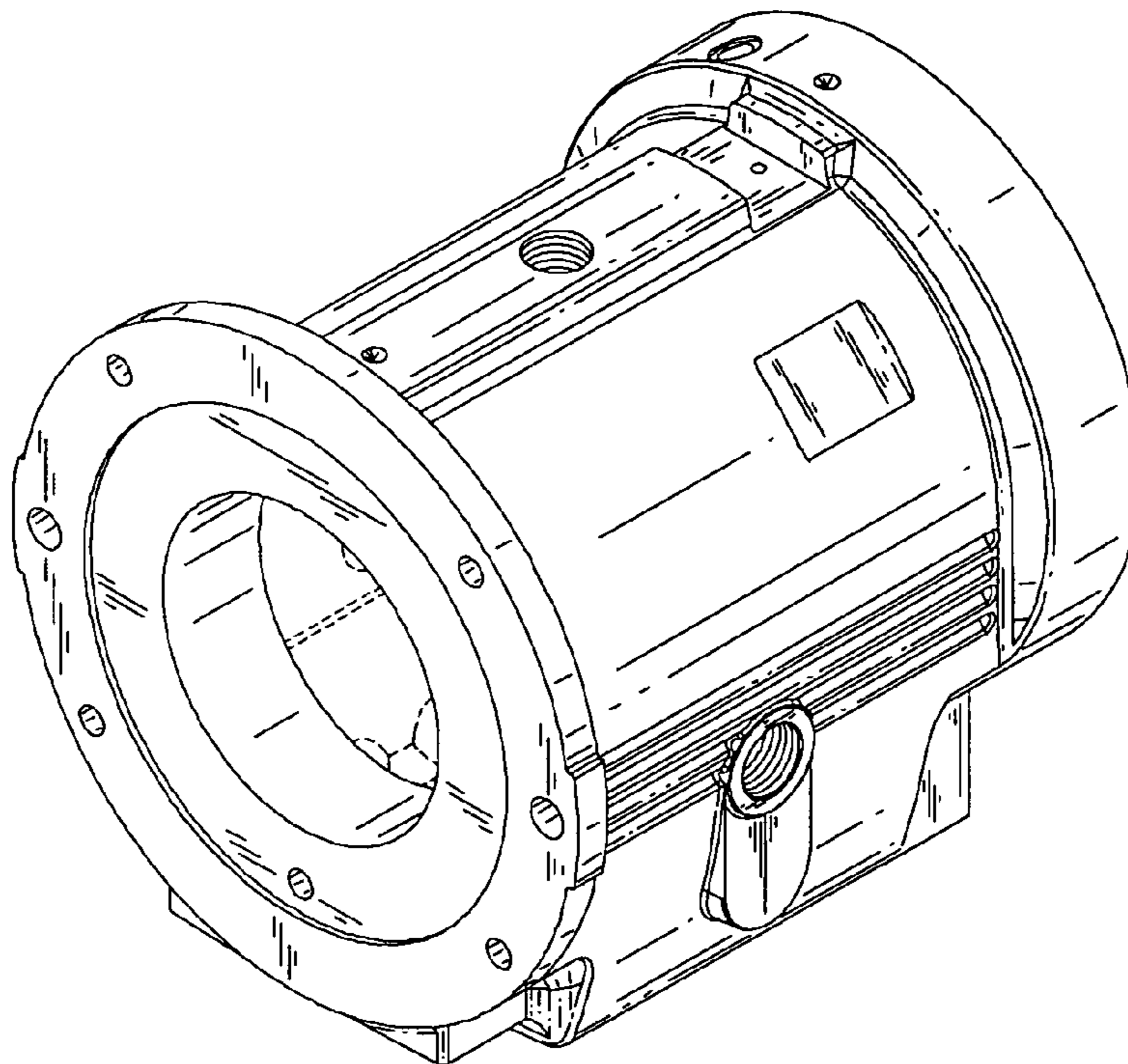
FIG. 5 is a back view of the bearing frame in FIG. 1 showing the present invention;

FIG. 6 is a front view of the bearing frame in FIG. 1 showing the present invention;

FIG. 7 is a top view of the bearing frame in FIG. 1 showing the present invention; and,

FIG. 8 is a bottom view of the bearing frame in FIG. 1 showing the present invention.

**1 Claim, 4 Drawing Sheets**



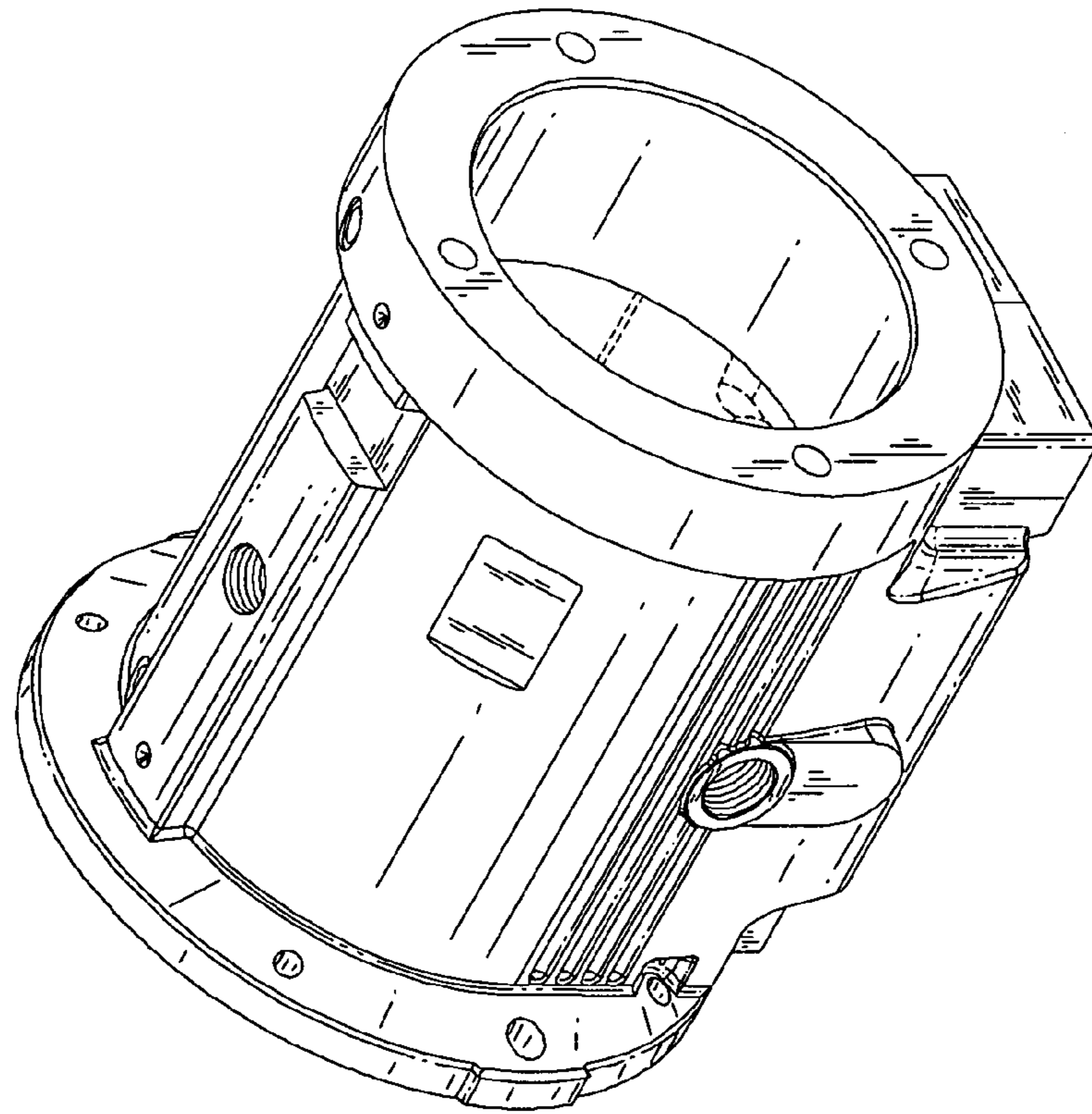


FIG. 2

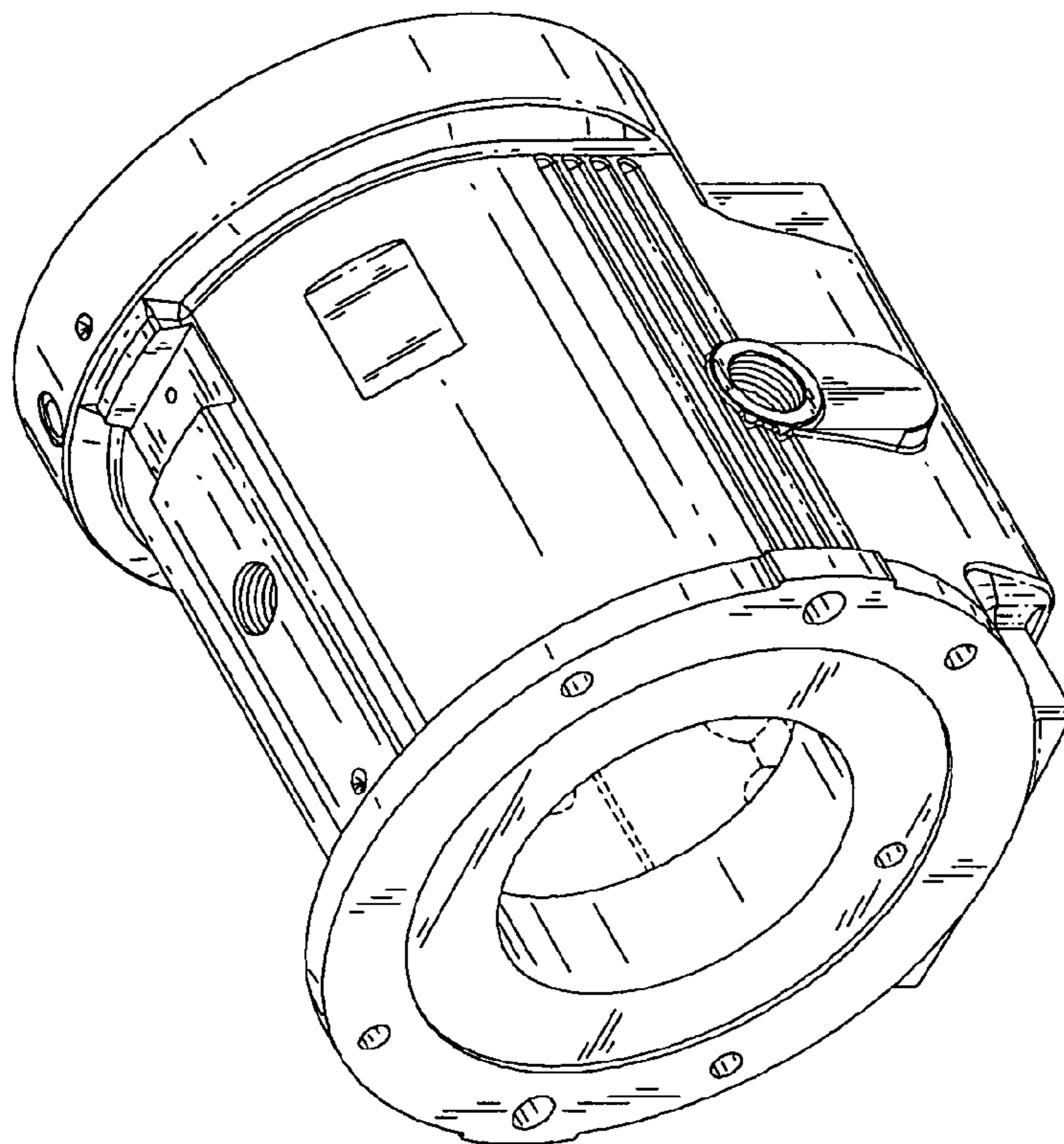


FIG. 1

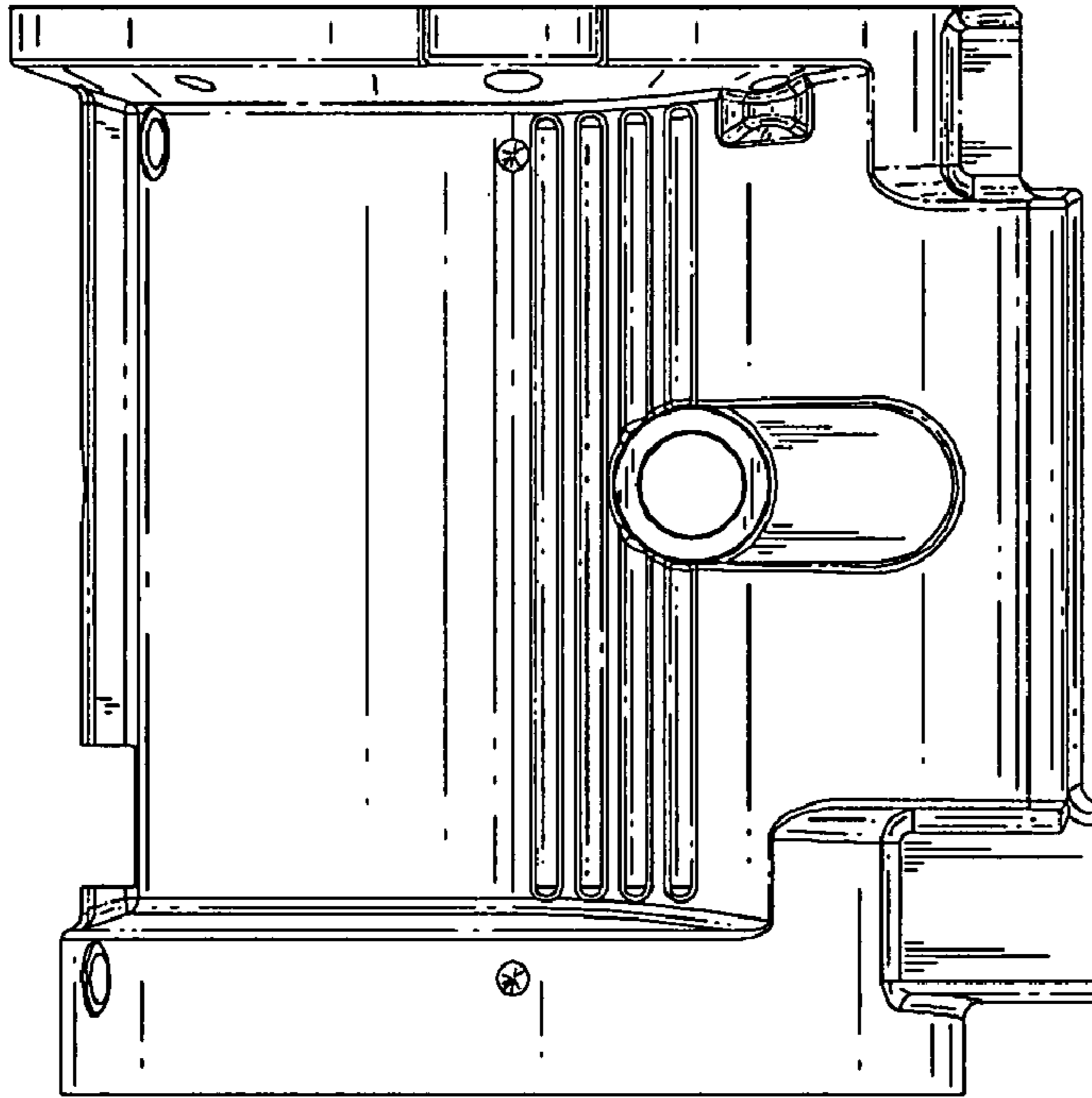


FIG. 4

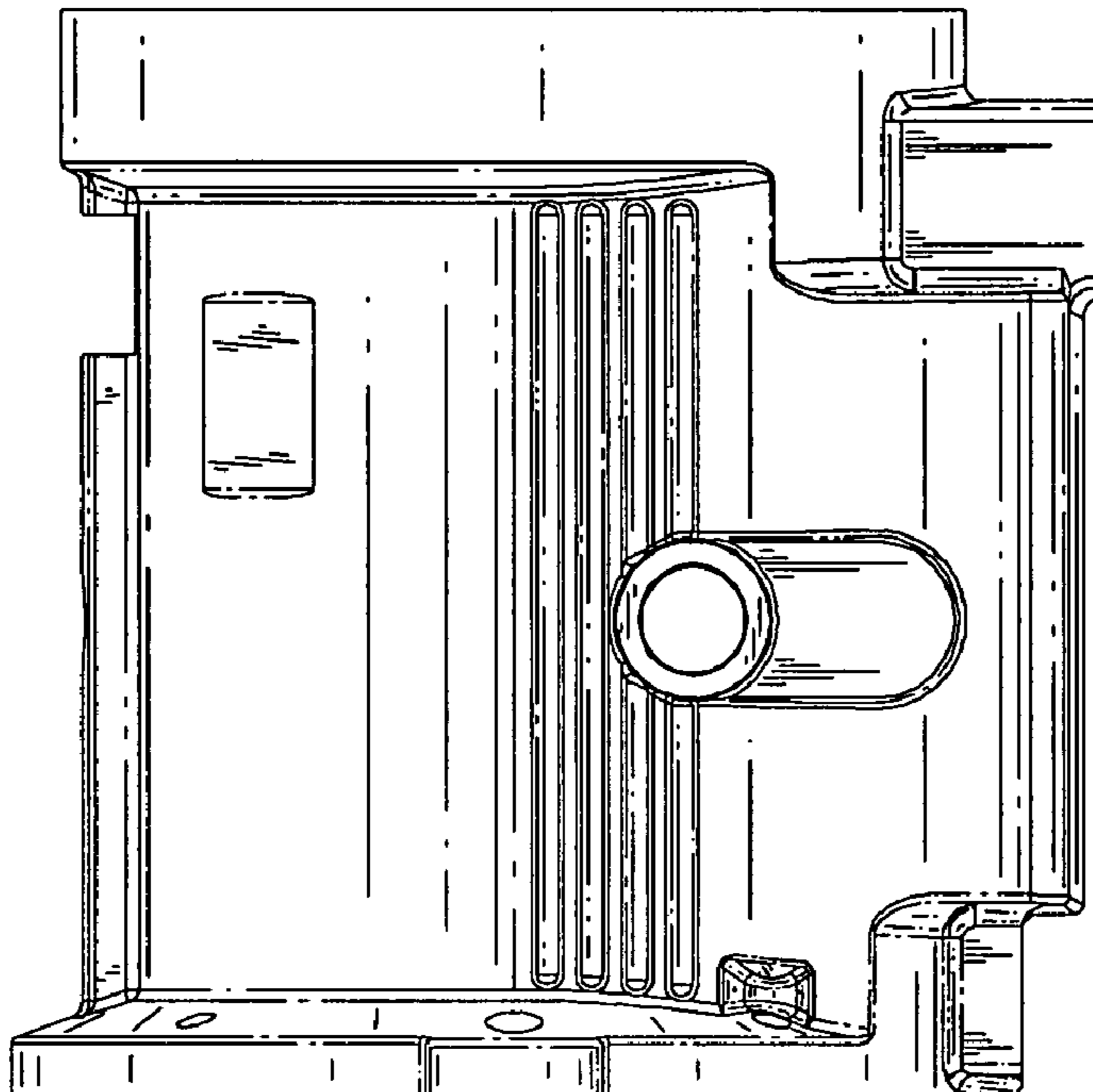


FIG. 3

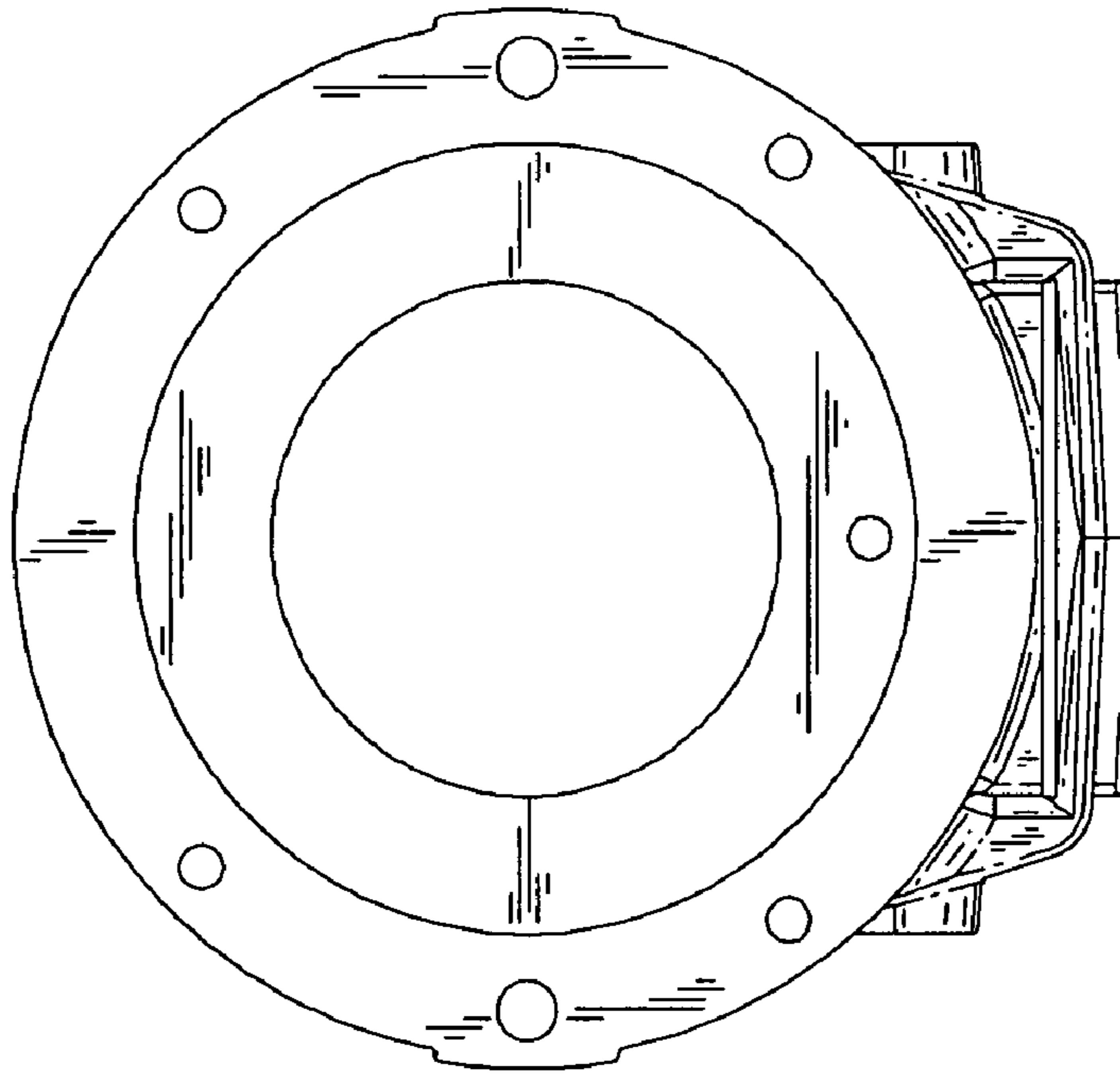


FIG. 6

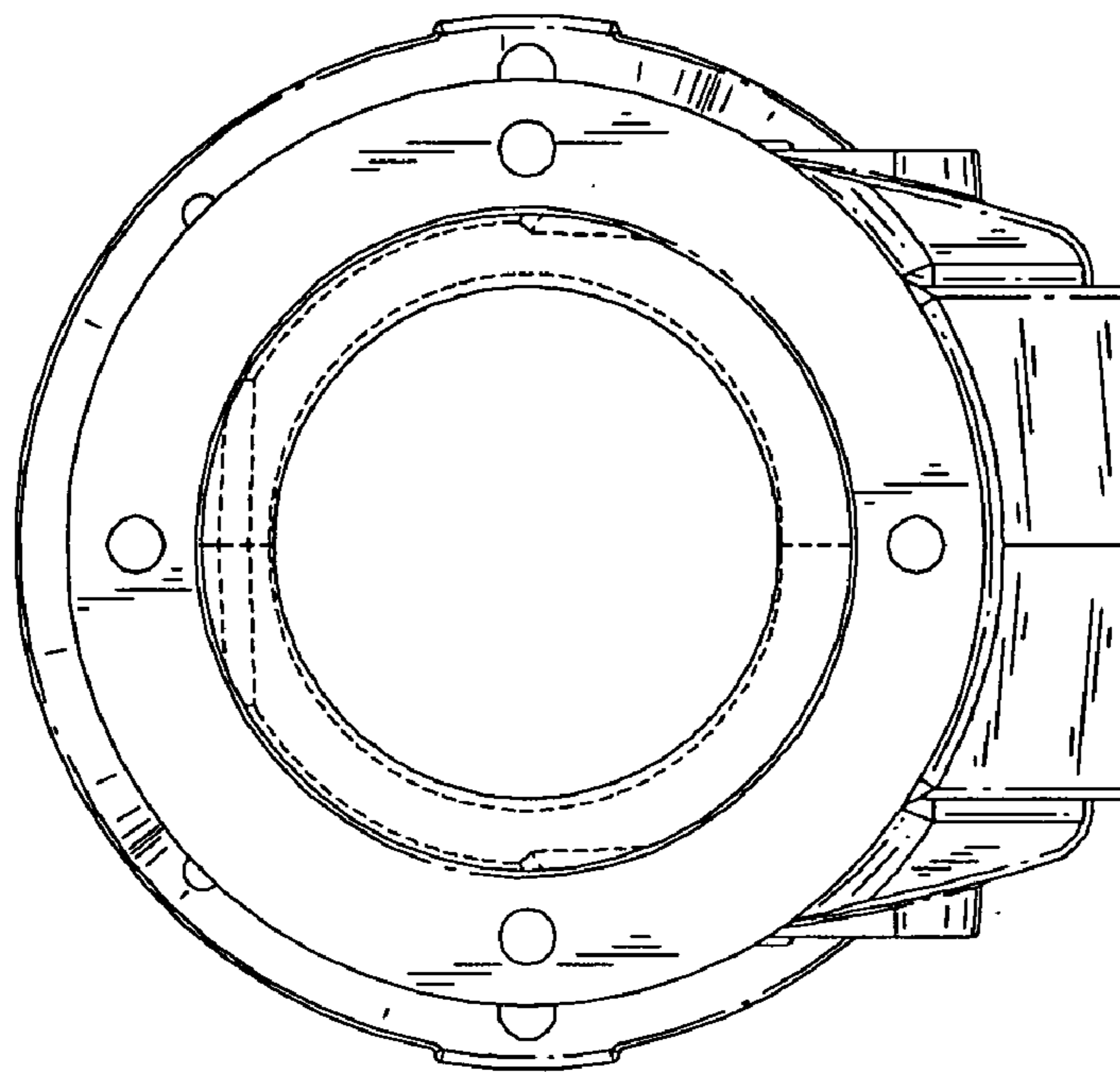


FIG. 5

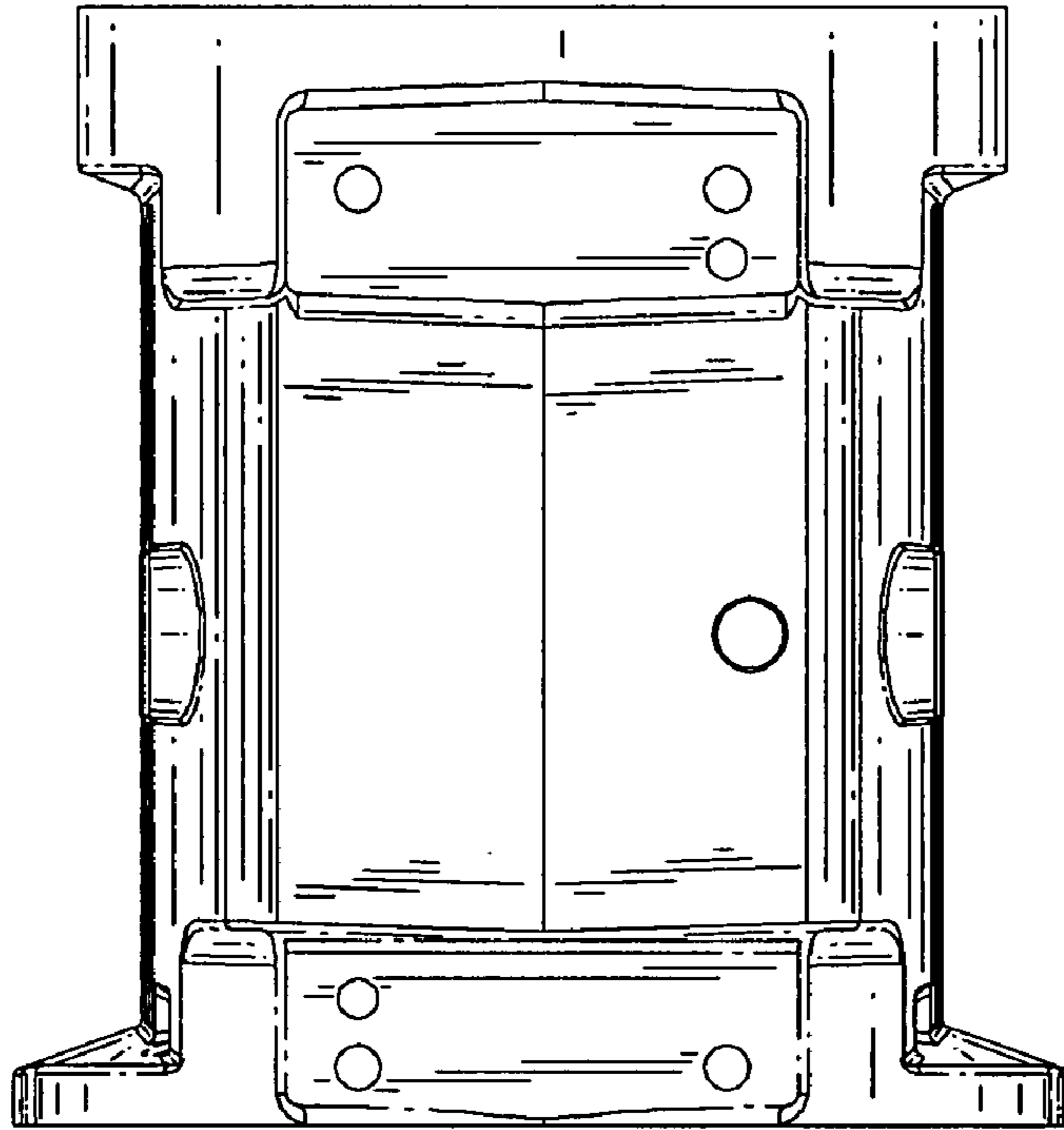


FIG. 8

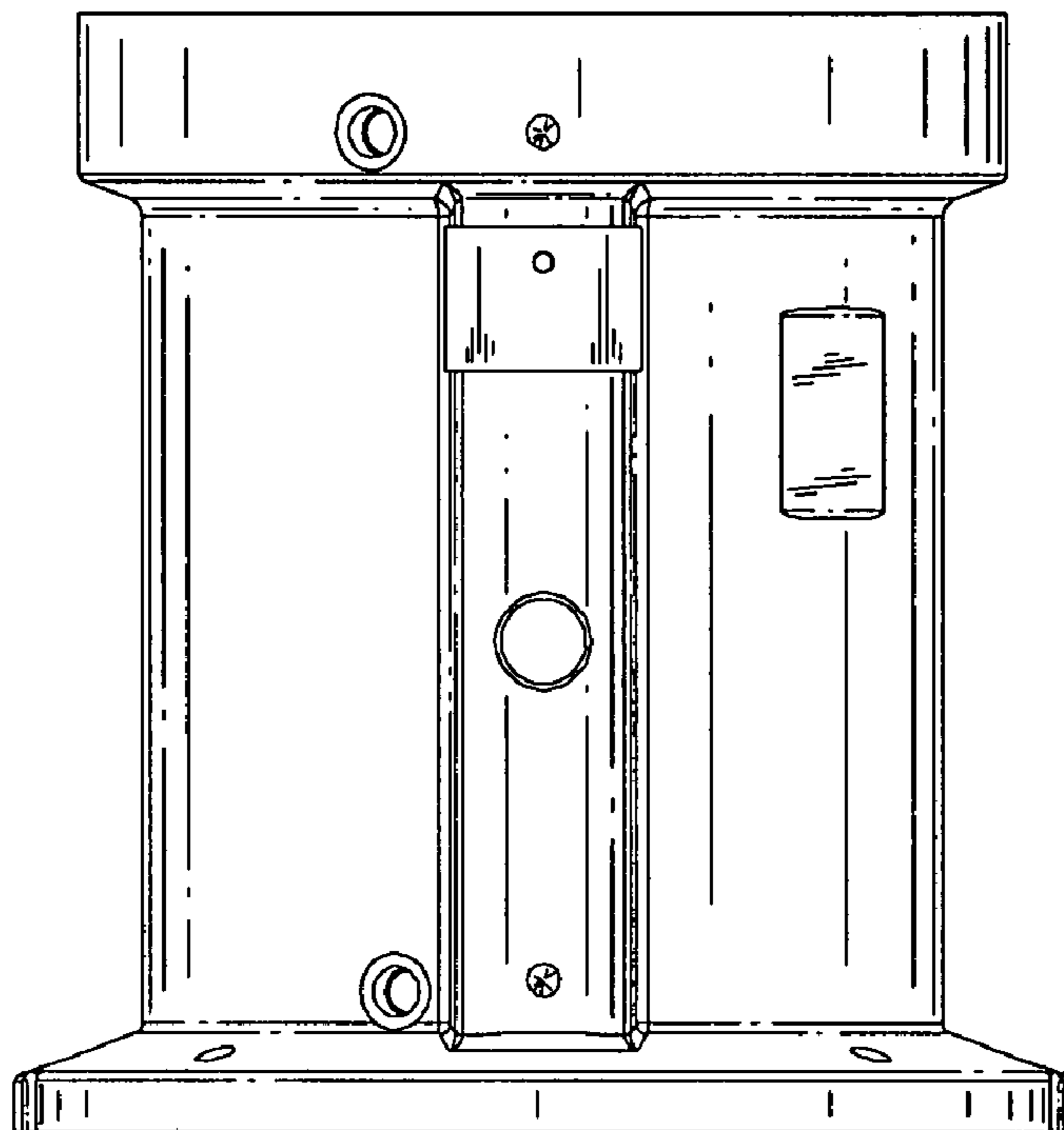


FIG. 7