



US00D583840S

(12) **United States Design Patent**  
**Rosso et al.**

(10) **Patent No.:** **US D583,840 S**  
(45) **Date of Patent:** **\*\* Dec. 30, 2008**

(54) **INSIDE CORNER GATE FOR PAPER  
BEADING APPARATUS**

2007/0277475 A1 12/2007 Smythe

**OTHER PUBLICATIONS**

(75) Inventors: **Aaron Charles Rosso**, Chicago, IL (US); **Matthew Earle Myers**, Naperville, IL (US); **Amar Arvind Patel**, South Barrington, IL (US); **Joseph Z. Wascow**, Mundelein, IL (US); **Stephen M. Oshgan**, Des Plaines, IL (US); **Brian A. Retzke**, Downers Grove, IL (US); **Scott Fong**, Causeway Bay (HK)

All-Wall Your Drywall Tools Superstore, 2007-2008 Edition, Catalog Code CAT300C, pp. 56, 57, Kirkland, WA.  
Structus Building Technologies product brochure, two pages, 2006.

\* cited by examiner

*Primary Examiner*—Sandra Snapp  
*Assistant Examiner*—Patricia Palasik  
(74) *Attorney, Agent, or Firm*—Greer, Burns & Crain, Ltd.; David F. Janci, Esq.; Pradip Sahu, Esq.

(73) Assignee: **United States Gypsum Company**, Chicago, IL (US)

(57) **CLAIM**

The ornamental design for an inside corner gate for paper beading apparatus, as shown and described.

(\*\*) Term: **14 Years**

(21) Appl. No.: **29/304,087**

**DESCRIPTION**

(22) Filed: **Feb. 25, 2008**

(51) **LOC (8) Cl.** ..... **15-09**

(52) **U.S. Cl.** ..... **D15/138; D15/135**

(58) **Field of Classification Search** ..... D8/14;  
D15/135, 136, 137, 138; 118/404, 405, 415,  
118/427, 429, DIG. 2; 425/87, 113, 458  
See application file for complete search history.

FIG. 1 is a front perspective view of the present gate;

FIG. 2 is a front view of the gate of FIG. 1;

FIG. 3 is a rear view of the same;

FIG. 4 is a right side view, the left side being identical, of the gate of FIG. 1;

FIG. 5 is a top view, the bottom view being identical, of the same;

FIG. 6 is a front perspective view of an alternate embodiment of the present gate;

FIG. 7 is a front view of the gate of FIG. 6;

FIG. 8 is a rear view of the same;

FIG. 9 is a right side view, the left side view being identical, of the gate of FIG. 6; and,

FIG. 10 is a top view, the bottom view being identical, of the same.

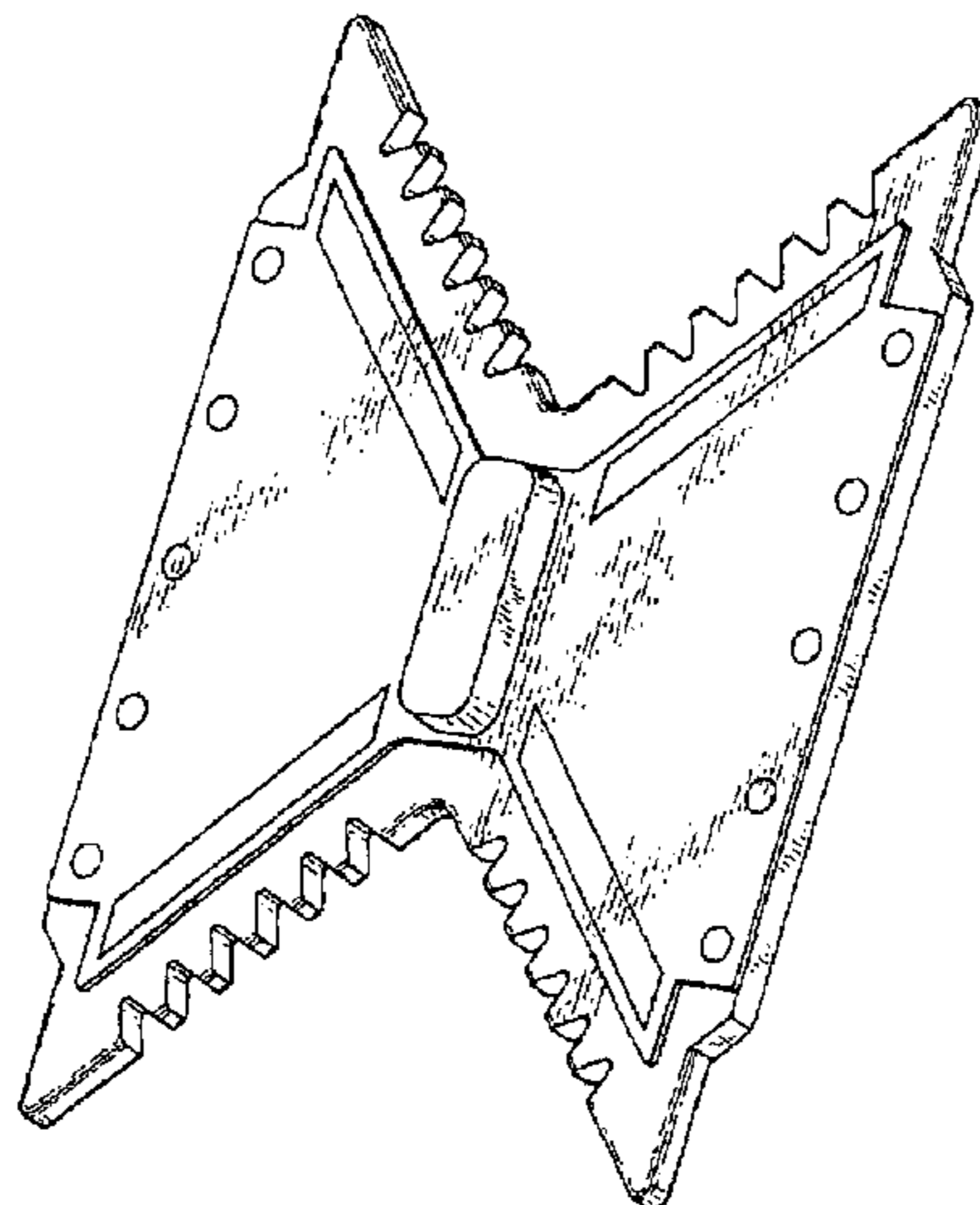
The broken line showing of the inside corner gate for paper beading apparatus is included for the purpose of illustrating portions of the corner gate for paper beading apparatus and forms no part of the claimed design.

(56) **References Cited**

**U.S. PATENT DOCUMENTS**

2,570,379	A *	10/1951	Robinson	.....	118/405
2,679,232	A *	5/1954	Brown	.....	118/413
3,342,160	A *	9/1967	Weeks	.....	118/43
D297,801	S *	9/1988	Olsson	.....	D8/14
5,169,449	A	12/1992	Raught		
5,421,886	A	6/1995	Poole et al.		
5,498,287	A	3/1996	Barnfield		
5,676,793	A	10/1997	Martin et al.		
D464,544	S *	10/2002	Motley	.....	D8/14
D486,706	S *	2/2004	Gobel	.....	D8/14
6,907,908	B1	6/2005	Weldy		
7,111,811	B2 *	9/2006	Weldy	.....	248/150
2007/0261334	A1	11/2007	Conboy		

**1 Claim, 4 Drawing Sheets**



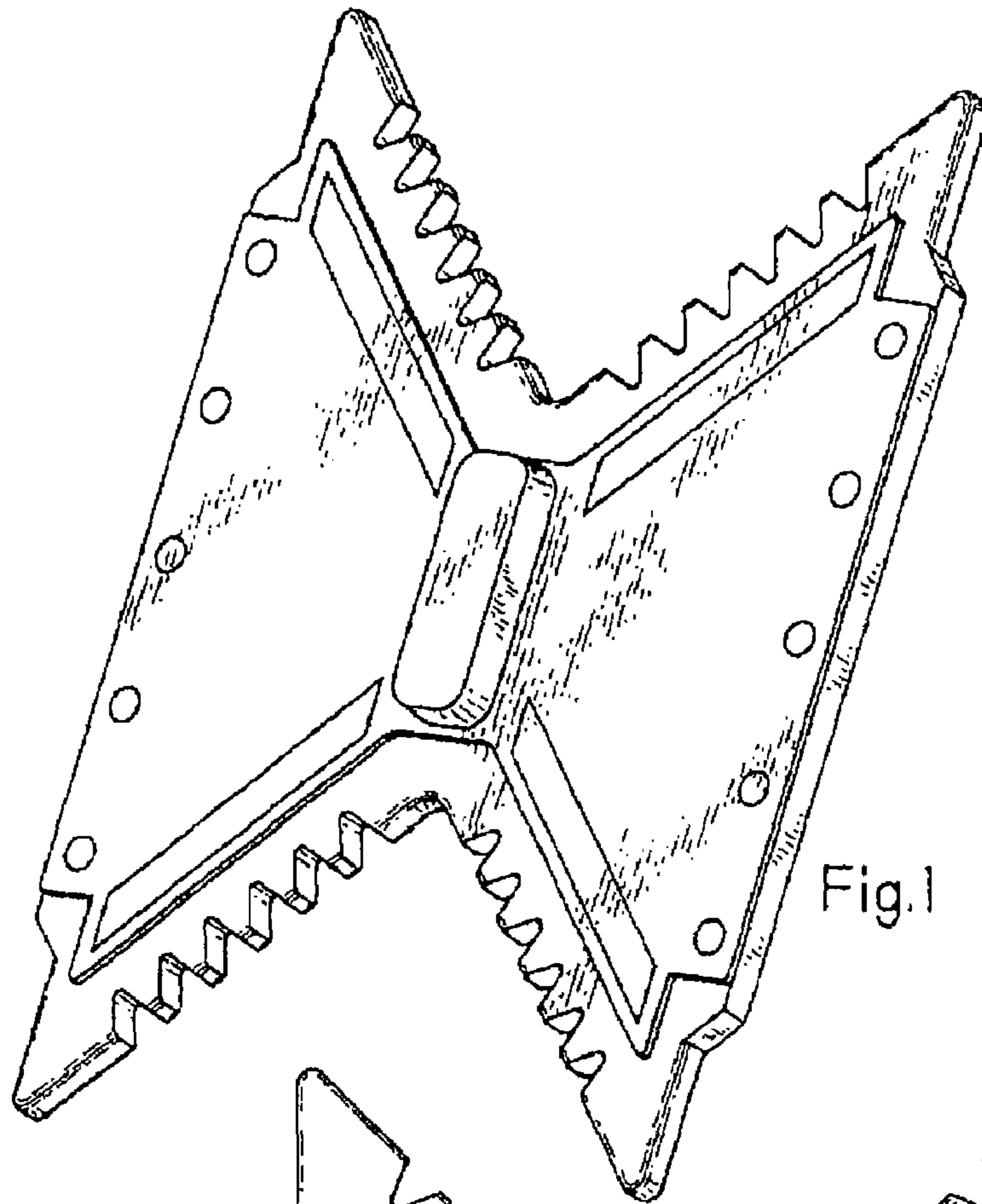


Fig. 1

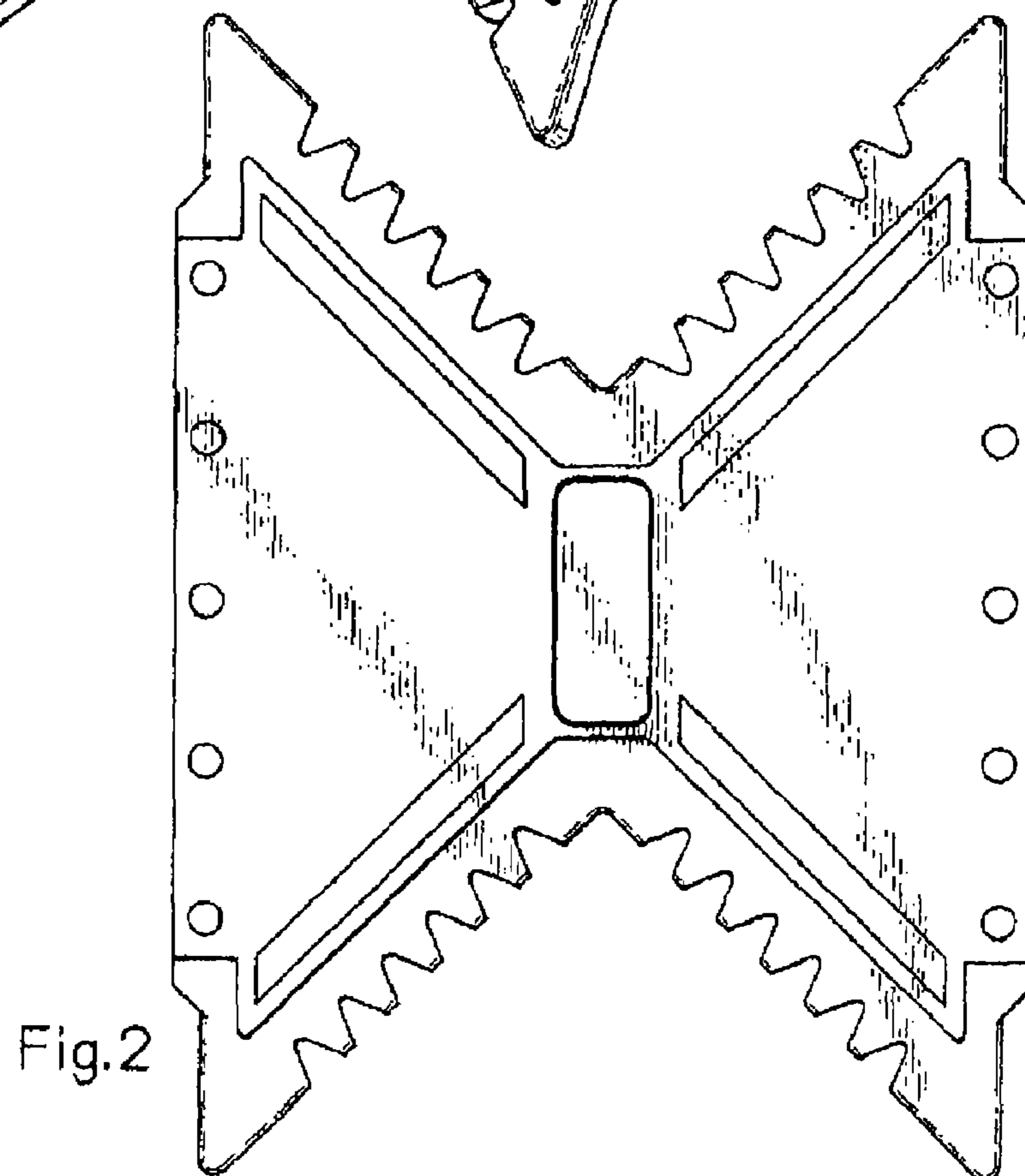


Fig. 2

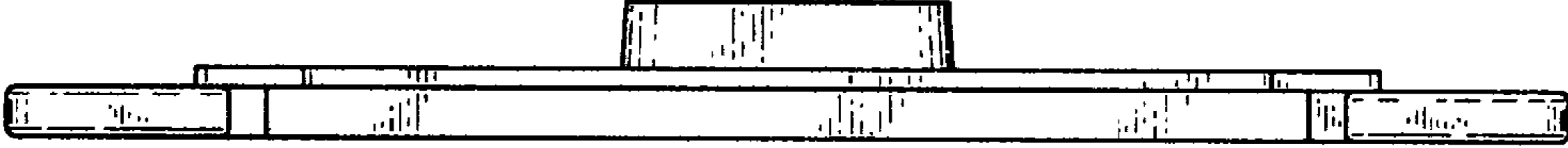
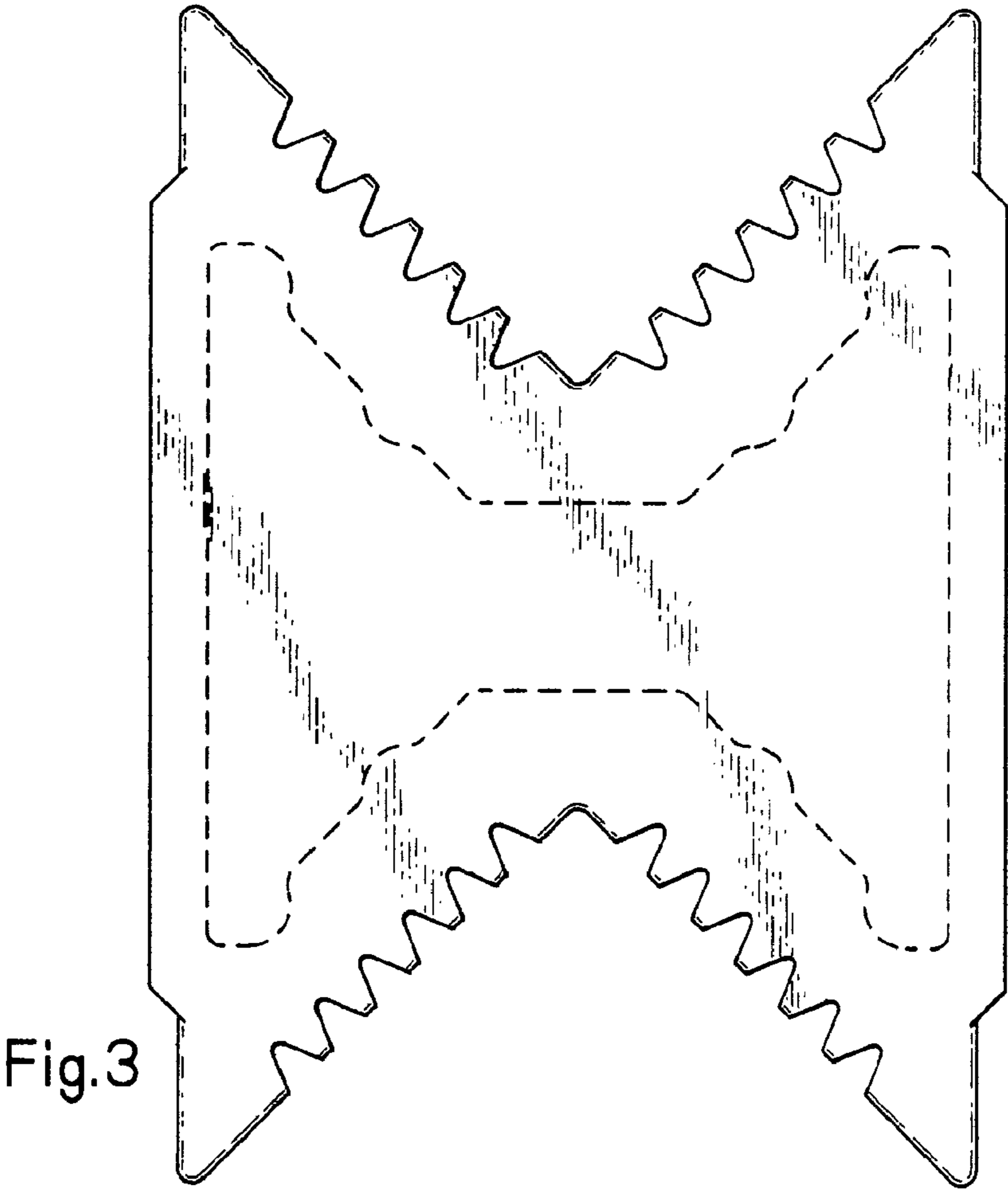


Fig. 4



Fig. 5

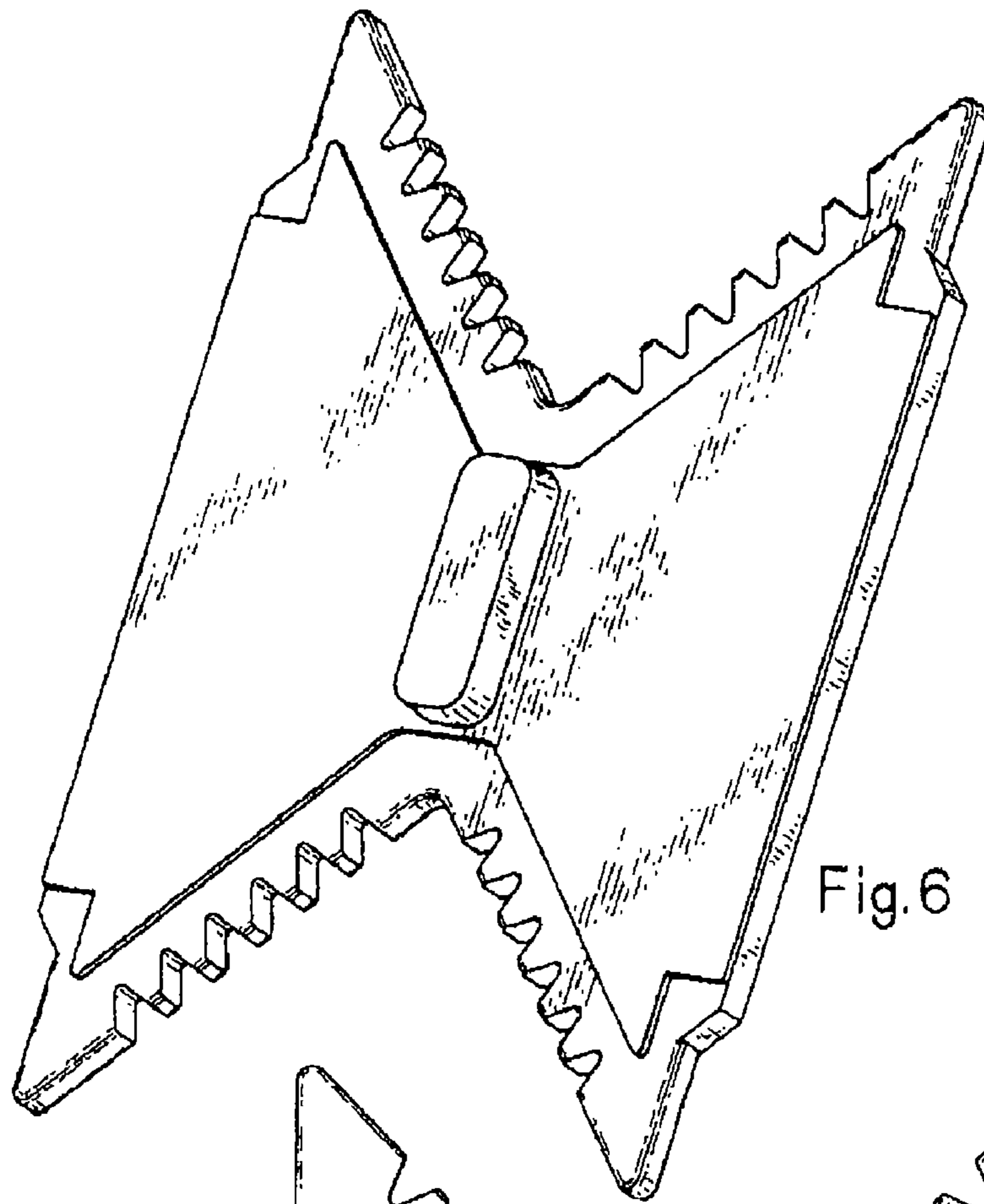


Fig. 6

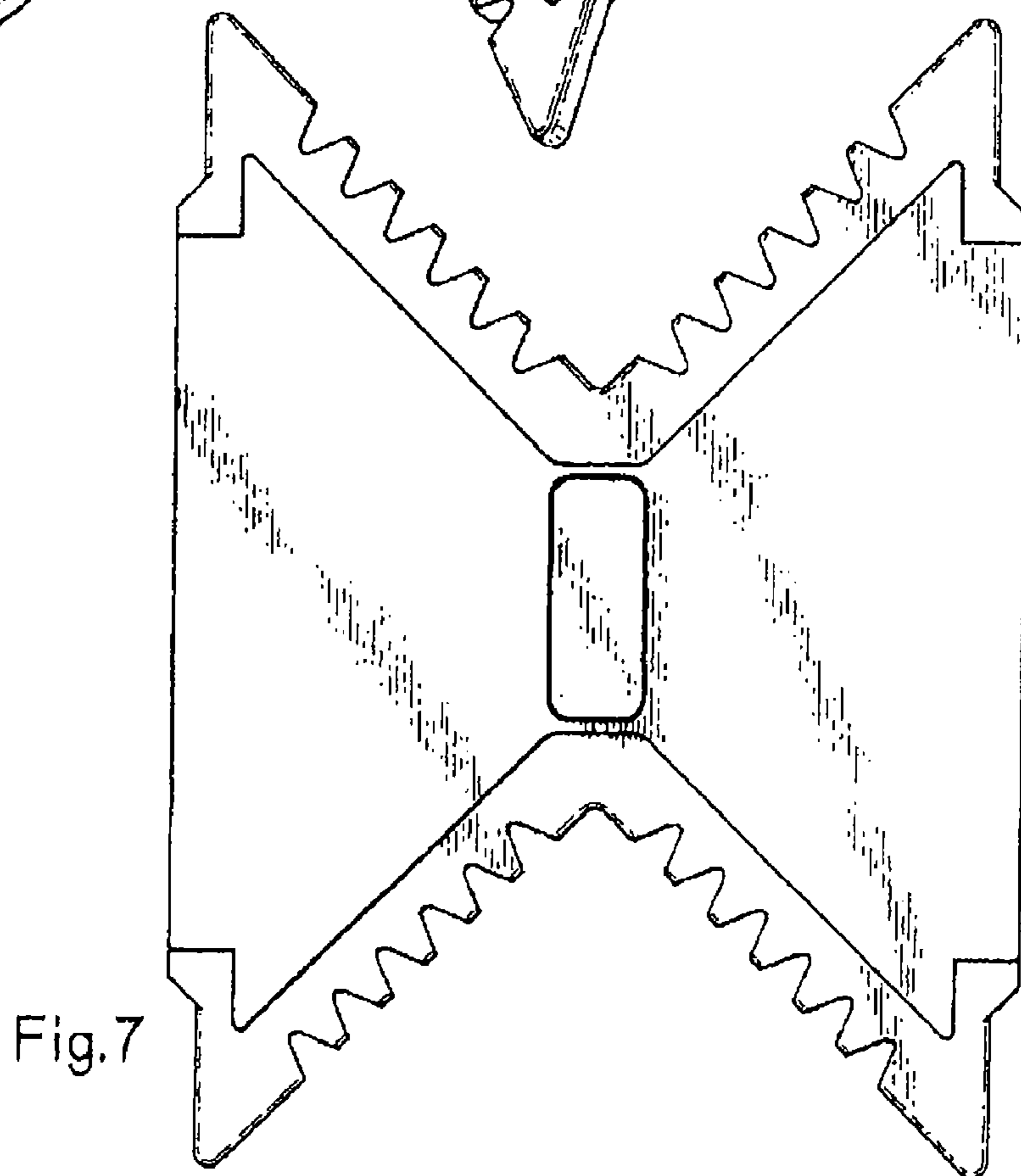


Fig. 7

