



US00D583837S

(12) **United States Design Patent**
Andou et al.

(10) **Patent No.:** **US D583,837 S**

(45) **Date of Patent:** **** Dec. 30, 2008**

(54) **SEAT BAR FOR SKID-STEER LOADER**

(75) Inventors: **Takenobu Andou**, Kawagoe (JP);
Hayato Kinoshita, Tokyo (JP); **Osamu Kitajima**, Kawagoe (JP)

(73) Assignees: **Komatsu Ltd.**, Tokyo (JP); **Komatsu Utility Co., Ltd.**, Tokyo (JP)

(**) Term: **14 Years**

(21) Appl. No.: **29/300,184**

(22) Filed: **Feb. 29, 2008**

(51) **LOC (8) Cl.** **15-03**

(52) **U.S. Cl.** **D15/28**

(58) **Field of Classification Search** D15/22-26,
D15/17, 28, 30; D6/356; D21/828, 829;
D34/35; 180/268, 271, 275, 272; 297/487,
297/488; 280/748, 753, 751

See application file for complete search history.

(56) **References Cited**

U.S. PATENT DOCUMENTS

4,388,980	A *	6/1983	Vig et al.	180/271
4,391,344	A *	7/1983	Weber et al.	180/271
4,579,191	A *	4/1986	Klee et al.	180/268
4,955,452	A *	9/1990	Simonz	180/271
5,050,700	A *	9/1991	Kim	180/268
5,129,478	A *	7/1992	Suenaga et al.	180/268
D437,327	S *	2/2001	Bares et al.	D15/28
6,234,525	B1 *	5/2001	Schroder et al.	280/748
6,299,207	B1 *	10/2001	Bares	280/748

6,550,560	B2 *	4/2003	Carleton	180/272
6,732,829	B2 *	5/2004	Bares	180/271
6,752,422	B2 *	6/2004	Sauermann	280/748
6,902,024	B2 *	6/2005	Miiller et al.	180/271
D516,097	S *	2/2006	Bergman et al.	D15/28
2003/0127268	A1 *	7/2003	Bares	180/268
2004/0099461	A1 *	5/2004	Miiller et al.	180/272

* cited by examiner

Primary Examiner—Stella M Reid

Assistant Examiner—Mark A Goodwin

(74) *Attorney, Agent, or Firm*—Manabu Kanesaka

(57) **CLAIM**

The ornamental design for a seat bar for skid-steer loader, as shown and described.

DESCRIPTION

FIG. 1 is a perspective view of a seat bar for skid-steer loader showing our new design;

FIG. 2 is a plan view thereof;

FIG. 3 is a bottom view thereof;

FIG. 4 is a front view thereof;

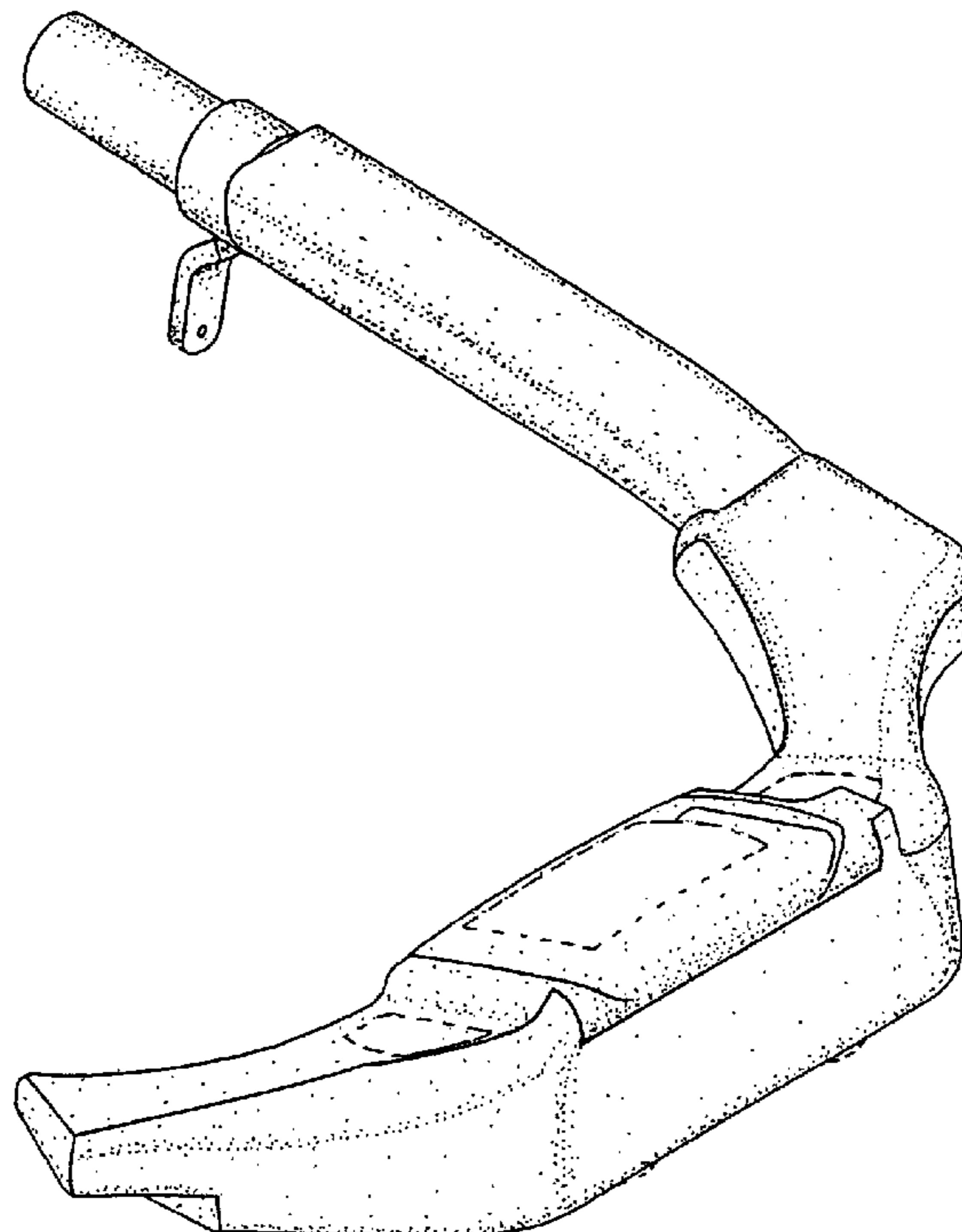
FIG. 5 is a back view thereof;

FIG. 6 is a right side view thereof; and,

FIG. 7 is a left side view thereof.

The broken line showing is included for the purpose of illustrating portions of the seat bar for a skid-steer loader and forms no part of the claimed design.

1 Claim, 7 Drawing Sheets



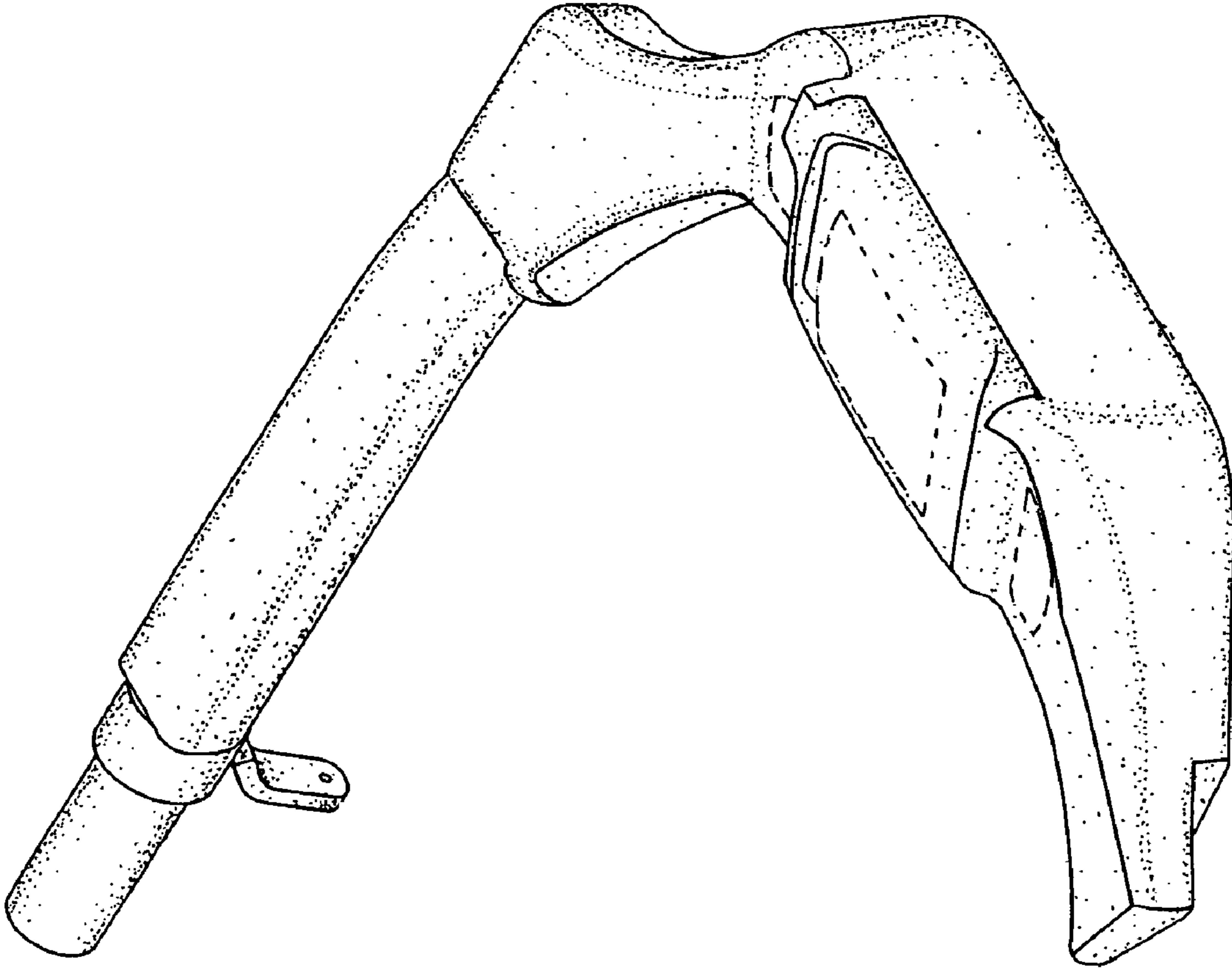


Fig. 1

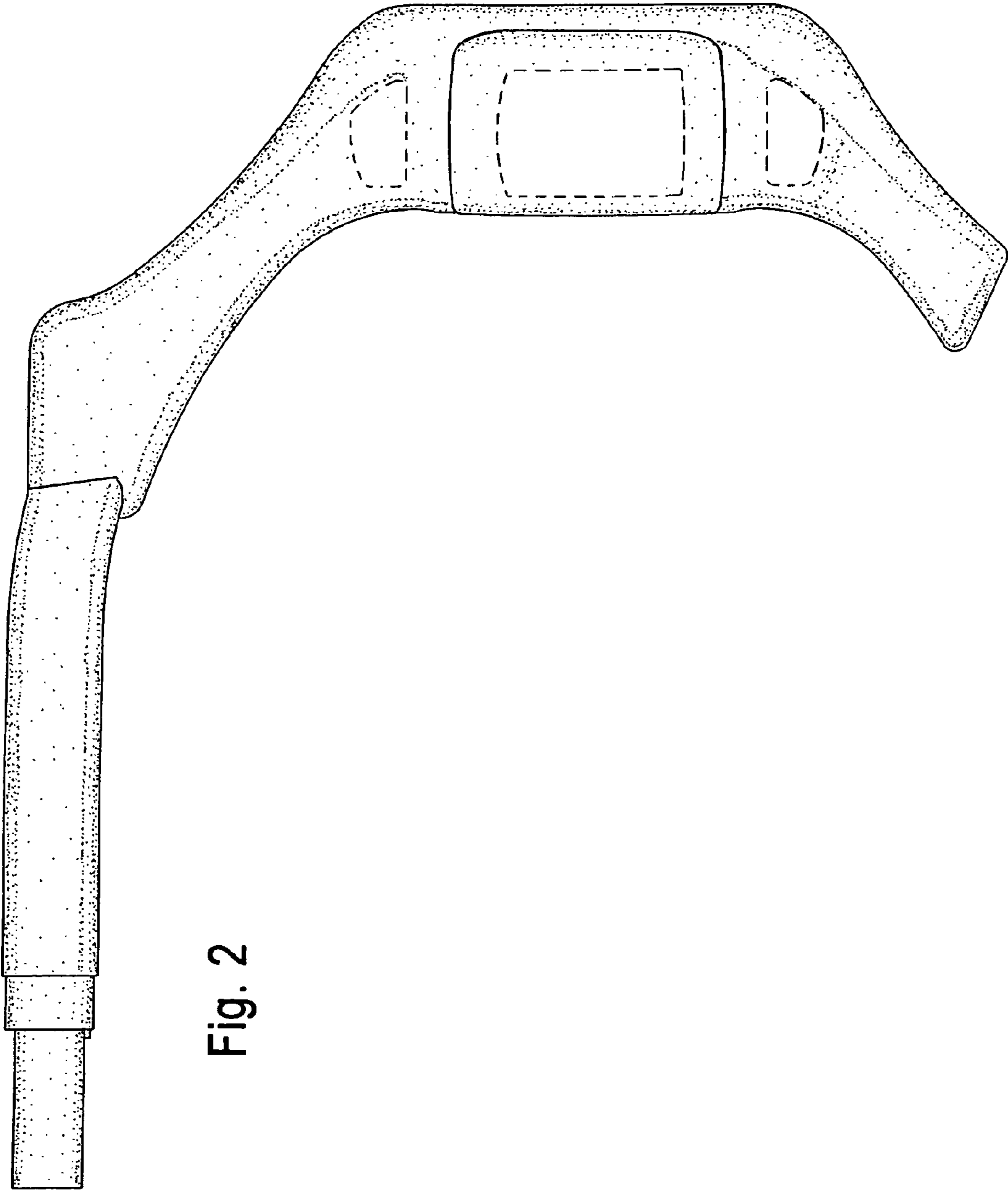


Fig. 2

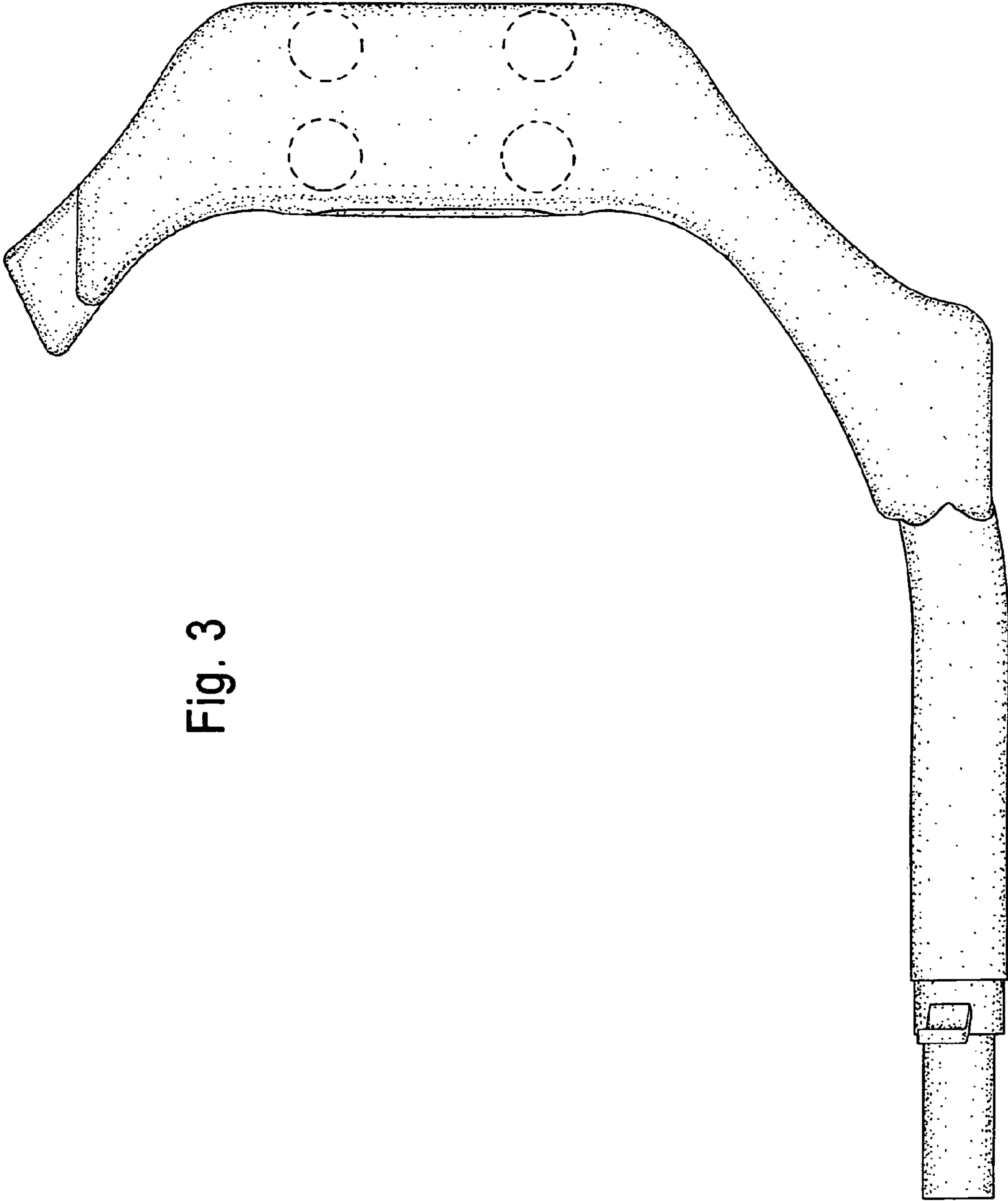


Fig. 3

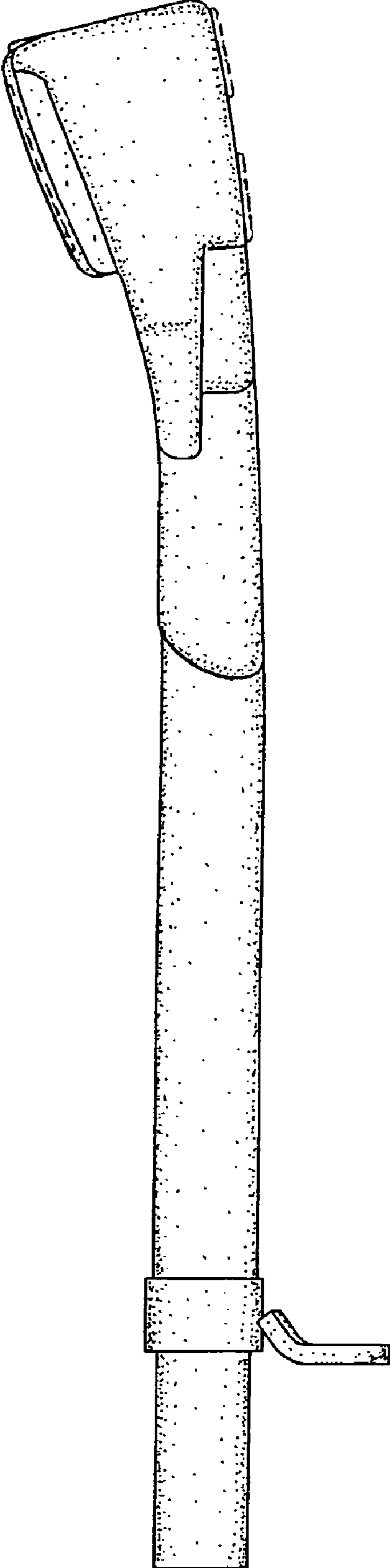


Fig. 4

Fig. 5

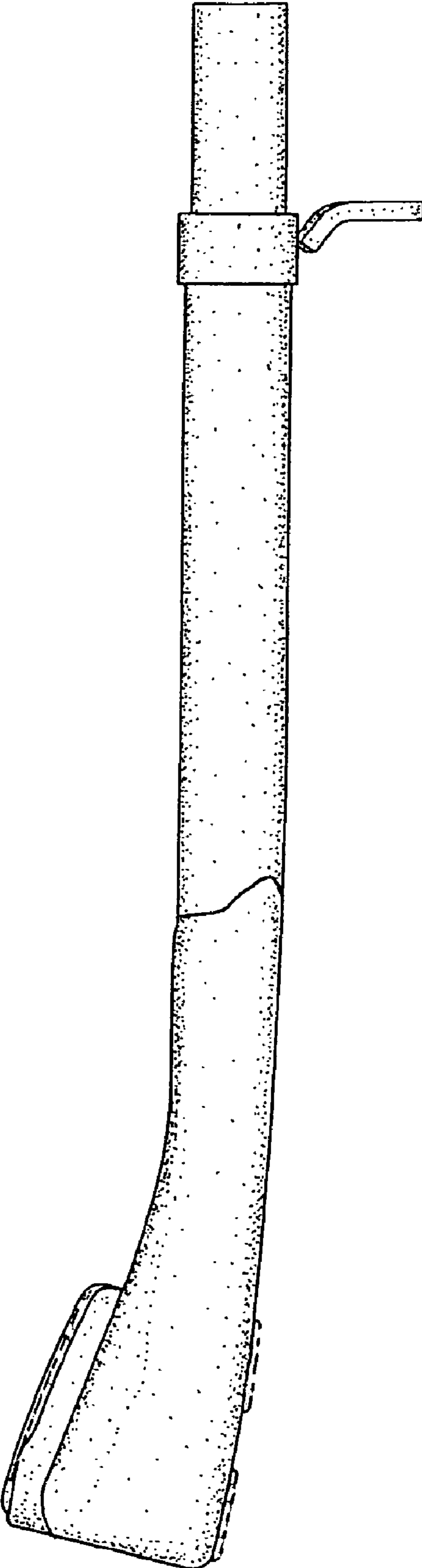


Fig. 6

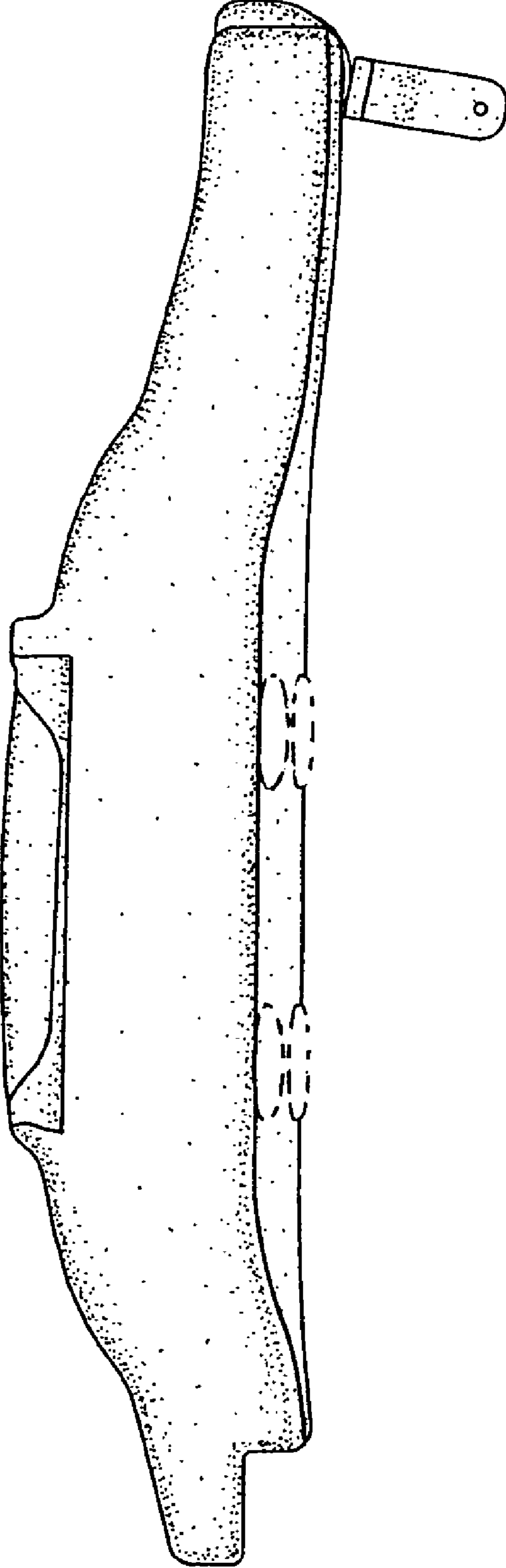


Fig. 7

