



US00D583834S

(12) **United States Design Patent**
Sugiyama et al.

(10) **Patent No.:** **US D583,834 S**

(45) **Date of Patent:** **** Dec. 30, 2008**

(54) **SKID-STEER LOADER**

(75) Inventors: **Kiyoshi Sugiyama**, Kawagoe (JP);
Takenobu Andou, Kawagoe (JP);
Takeshi Endou, Kawagoe (JP);
Kazuhisa Satou, Kawagoe (JP);
Yoshiteru Kubo, Kawagoe (JP); **Hayato**
Kinoshita, Tokyo (JP); **Osamu**
Kitajima, Kawagoe (JP)

(73) Assignees: **Komatsu Ltd.**, Tokyo (JP); **Komatsu**
Utility Co., Ltd., Tokyo (JP)

(**) Term: **14 Years**

(21) Appl. No.: **29/300,188**

(22) Filed: **Feb. 29, 2008**

(51) **LOC (8) Cl.** **12-09**

(52) **U.S. Cl.** **D15/23**

(58) **Field of Classification Search** D15/10,
D15/22-26; 180/89.1, 89.12, 900; 37/118 R;
414/685, 686

See application file for complete search history.

(56) **References Cited**

U.S. PATENT DOCUMENTS

D231,482 S *	4/1974	Bauer	D15/25
D247,814 S *	5/1978	Johnson et al.	D15/23
D251,088 S *	2/1979	Johnson et al.	D15/23
4,682,666 A *	7/1987	Klee et al.	180/89.13
4,705,449 A *	11/1987	Christianson et al.	414/685
D314,389 S *	2/1991	Lynnes et al.	D15/25
D317,926 S *	7/1991	Lynnes et al.	D15/25
D322,792 S *	12/1991	Park	D15/25
5,240,366 A *	8/1993	Bamford	414/686
D376,372 S *	12/1996	Little et al.	D15/23

5,807,061 A *	9/1998	Donoghue et al.	414/710
5,918,694 A *	7/1999	Miller et al.	180/89.14
D419,568 S *	1/2000	Baig et al.	D15/25
D423,521 S *	4/2000	Walter et al.	D15/23
6,132,163 A *	10/2000	Andrews et al.	414/685
6,171,050 B1 *	1/2001	Johnson	414/685
D450,718 S *	11/2001	Muraro	D15/25
6,733,062 B1 *	5/2004	Albright et al.	296/51
D492,327 S *	6/2004	Albright et al.	D15/23
D504,136 S *	4/2005	Albright et al.	D15/23
D520,525 S *	5/2006	Enmeiji et al.	D15/23
7,128,518 B2 *	10/2006	Yamashita	414/694
2003/0150663 A1 *	8/2003	Farbotnik et al.	180/312
2004/0018078 A1 *	1/2004	Vicars et al.	414/900
2006/0269386 A1 *	11/2006	Layko et al.	414/685

* cited by examiner

Primary Examiner—Stella M Reid

Assistant Examiner—Mark A Goodwin

(74) *Attorney, Agent, or Firm*—Manabu Kanesaka

(57) **CLAIM**

The ornamental design for a skid-steer loader, as shown and described.

DESCRIPTION

FIG. 1 is a perspective view of a skid-steer loader showing our new design;

FIG. 2 is a front view thereof;

FIG. 3 is a back view thereof;

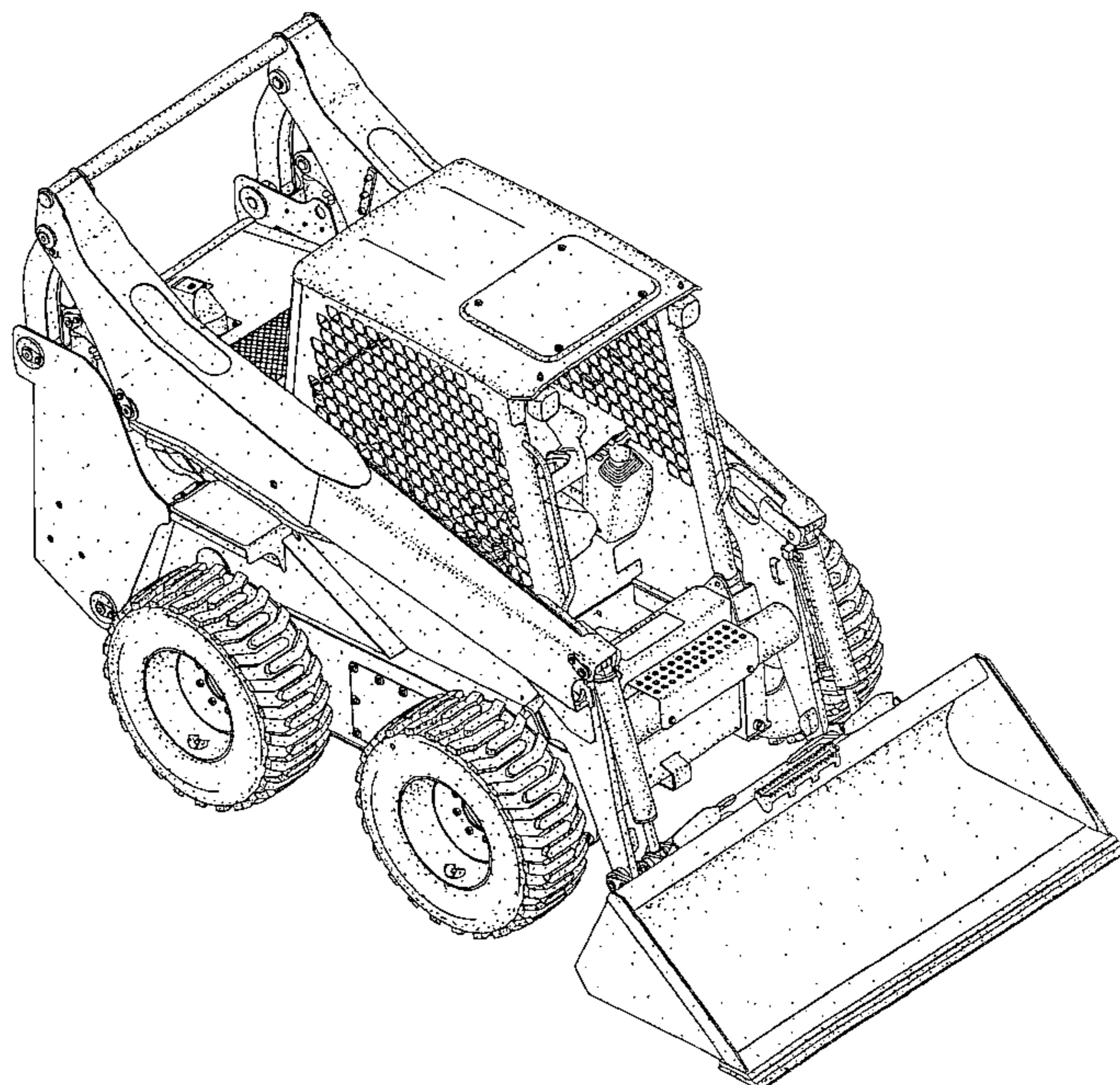
FIG. 4 is a top plan view thereof;

FIG. 5 is a bottom plan view thereof;

FIG. 6 is a right side view thereof; and,

FIG. 7 is a left side view thereof.

1 Claim, 7 Drawing Sheets



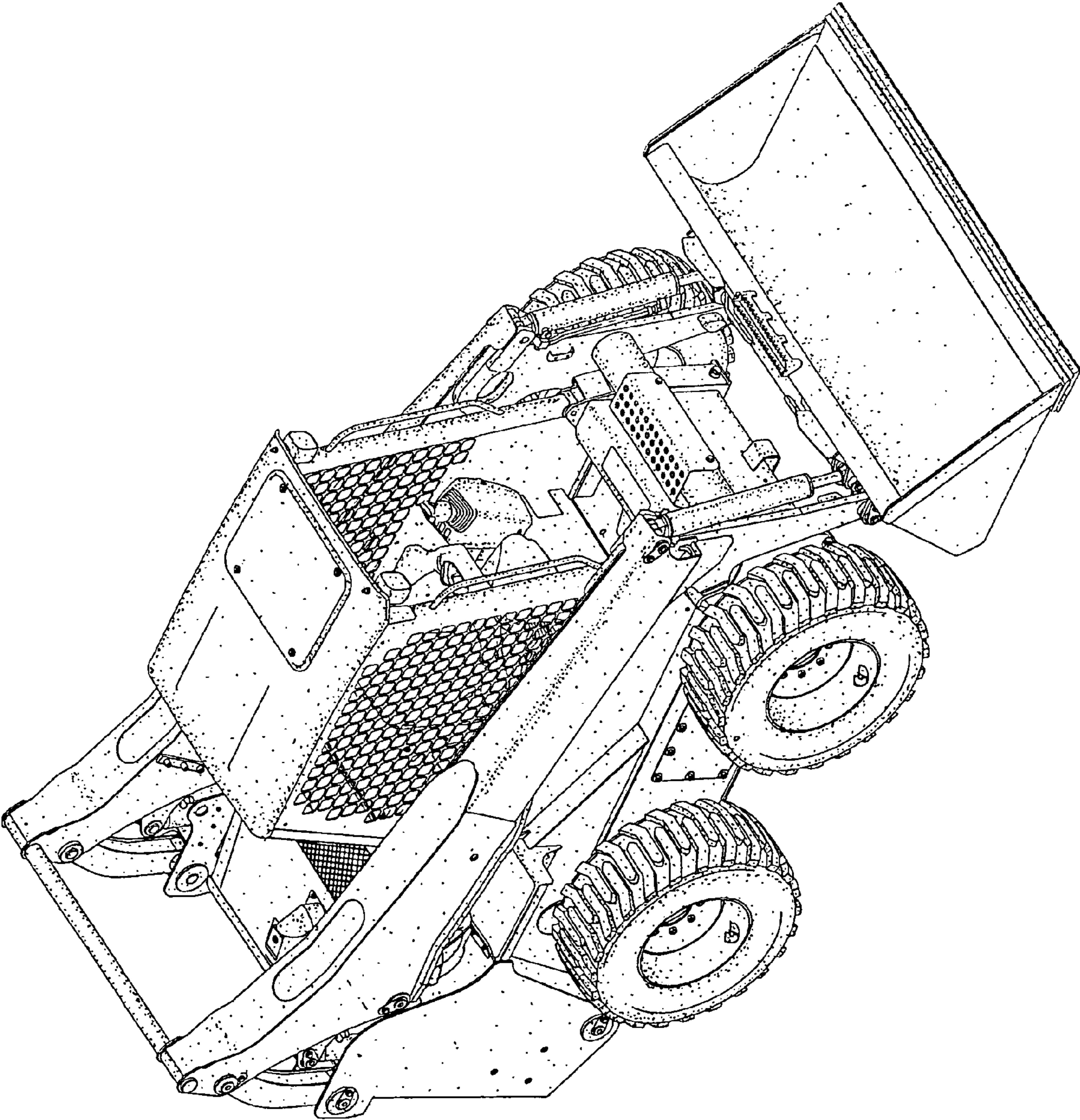


Fig. 1

Fig. 2

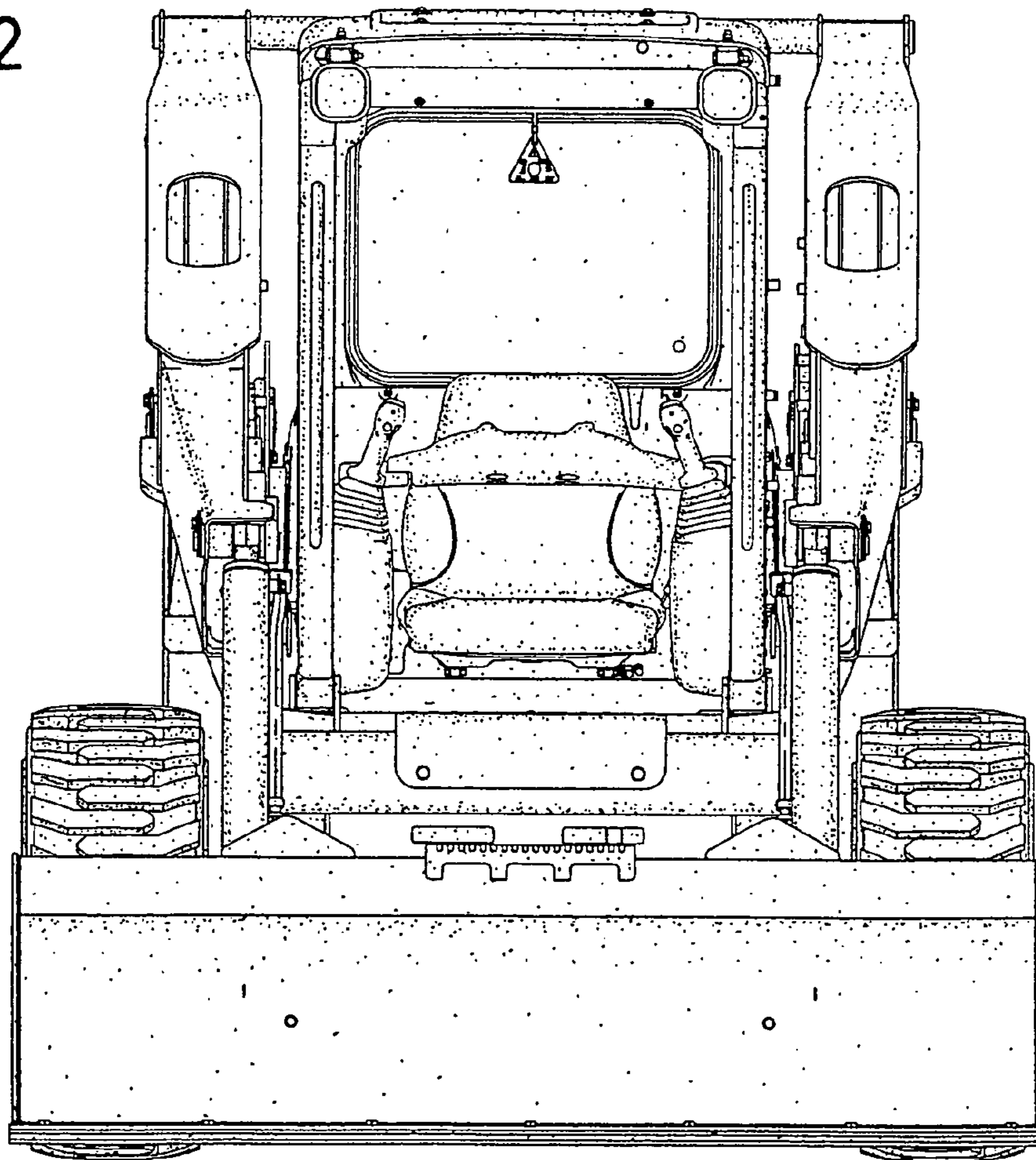
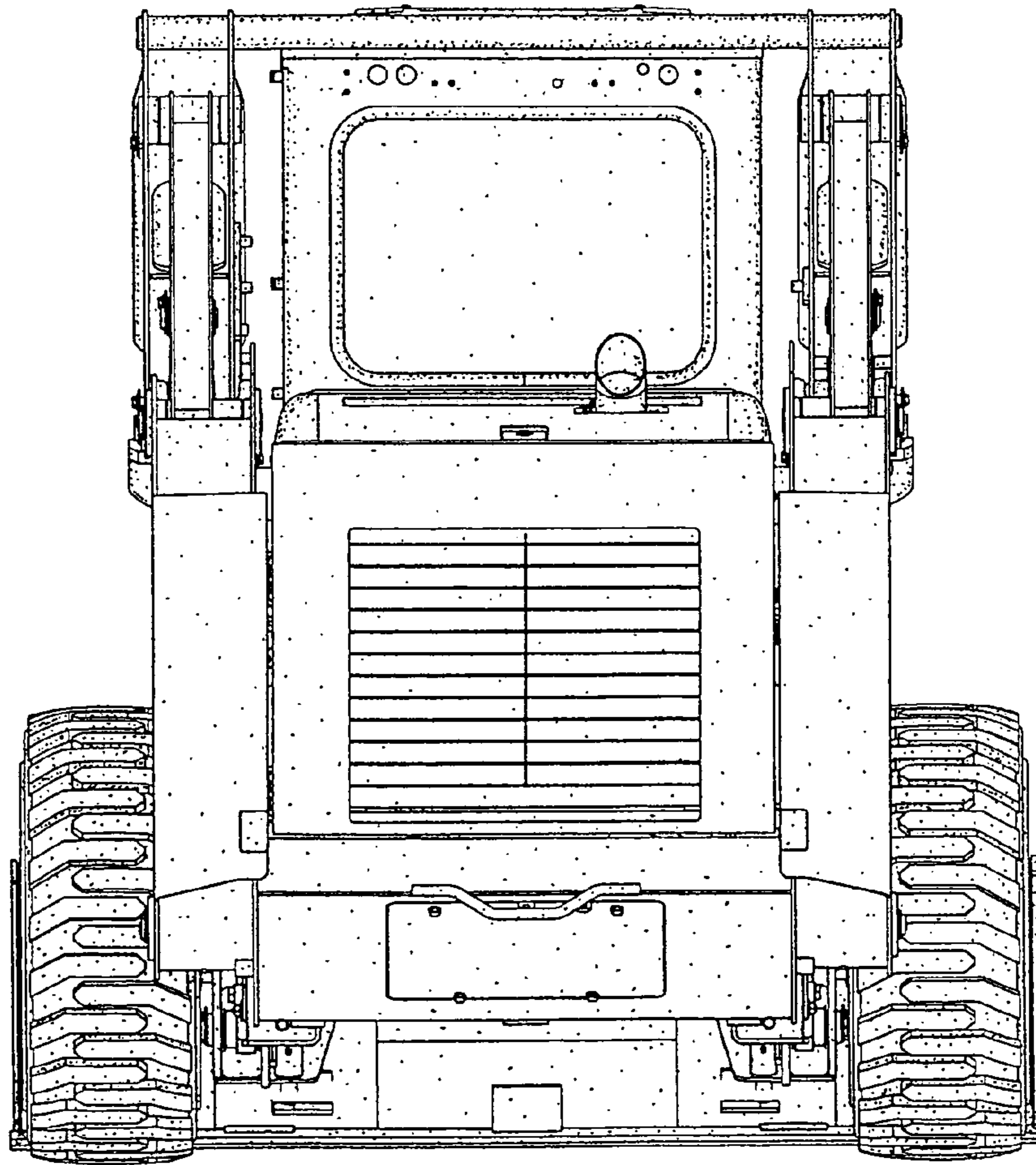


Fig. 3



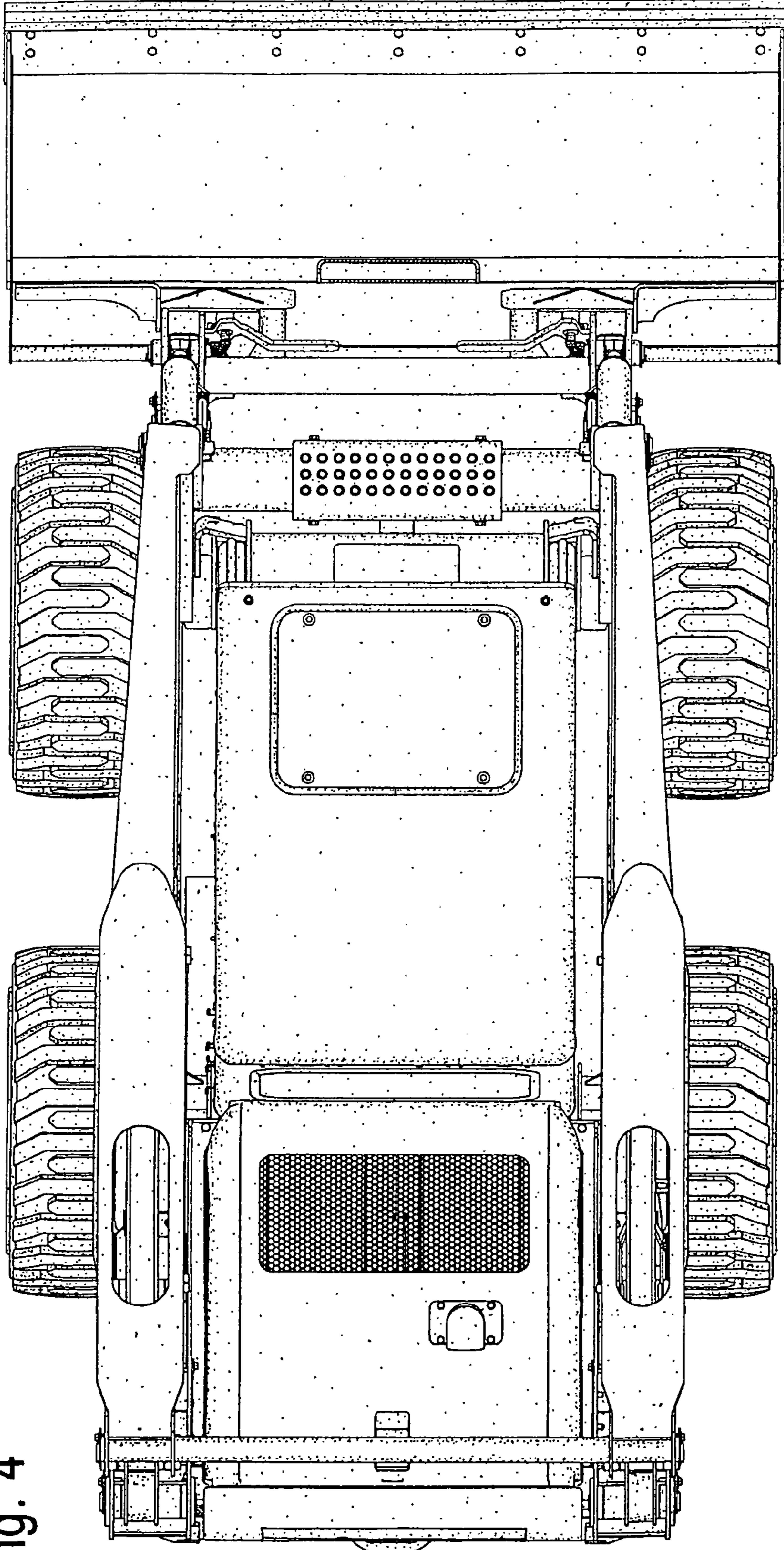


Fig. 4

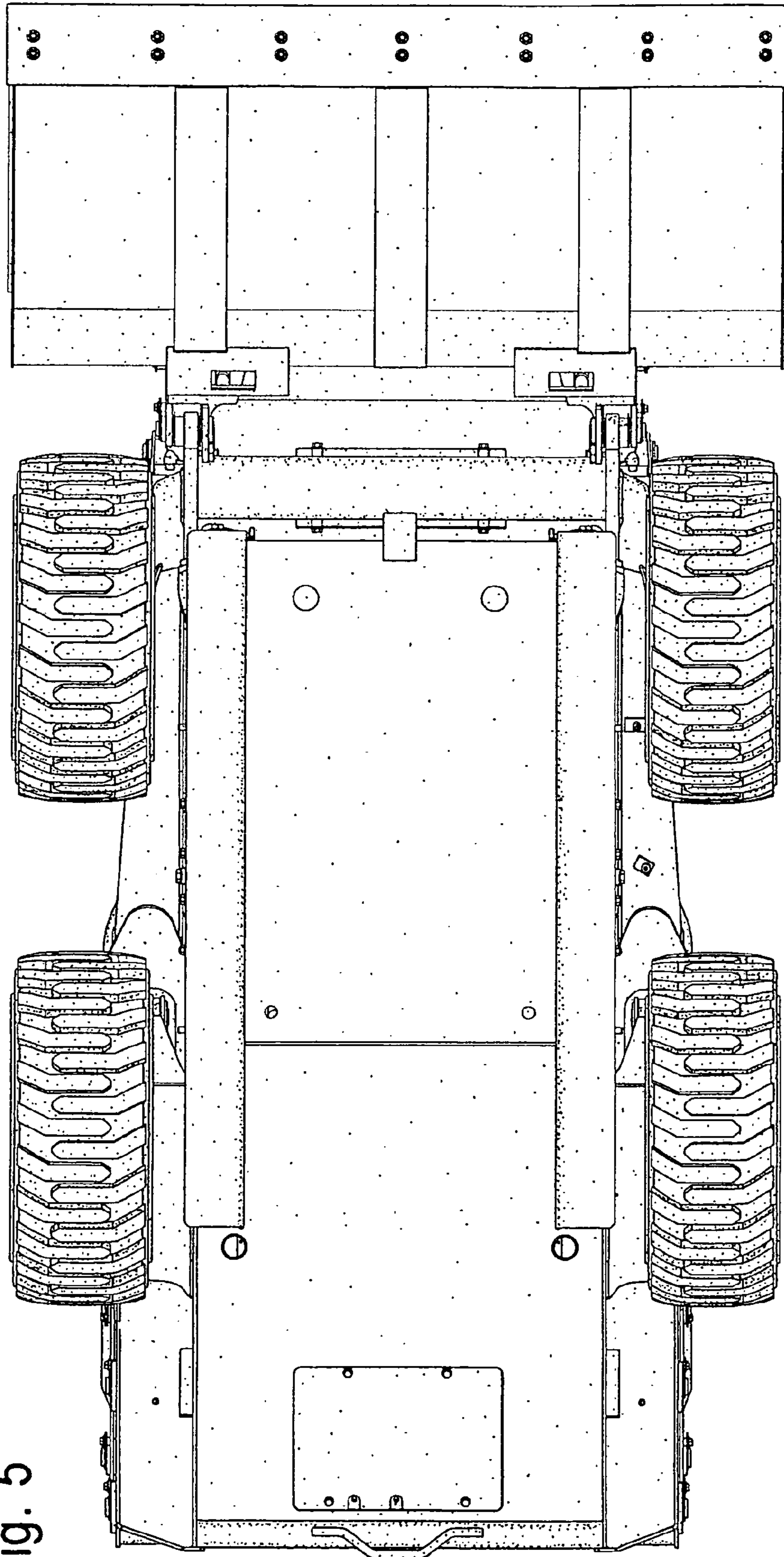


Fig. 5

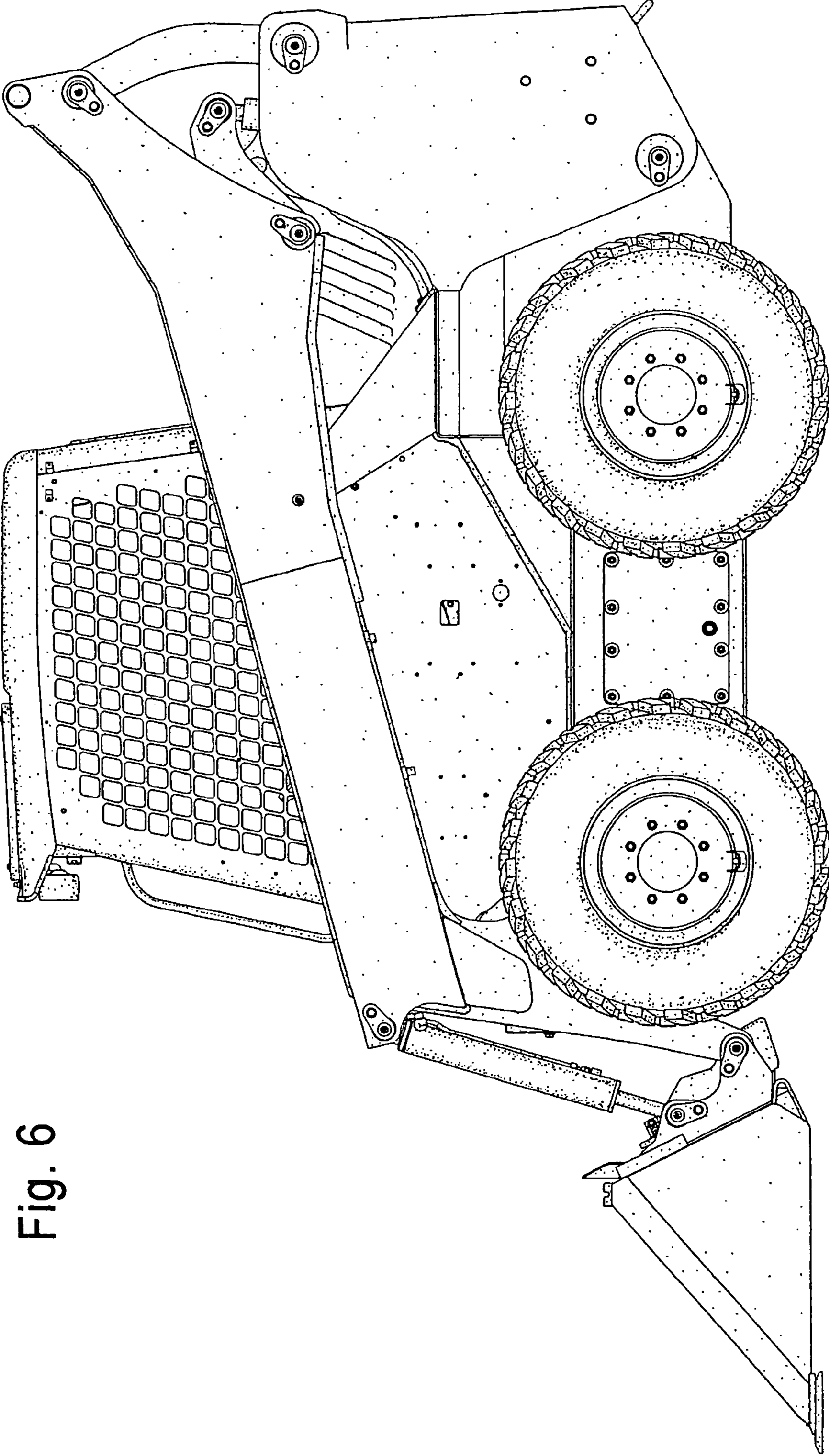


Fig. 6

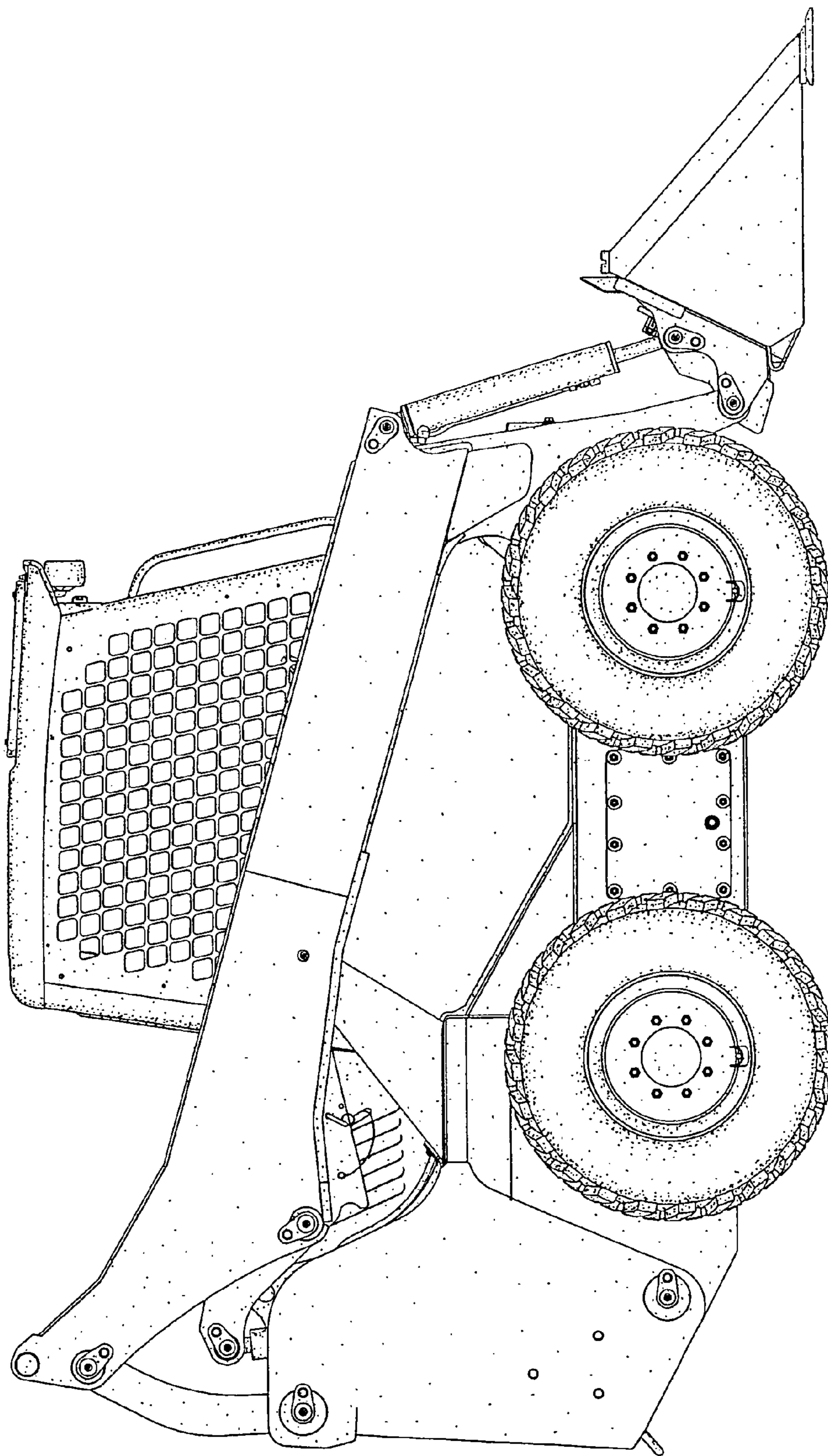


Fig. 7