



US00D583832S

(12) **United States Design Patent**  
**Nimberger**

(10) **Patent No.:** **US D583,832 S**

(45) **Date of Patent:** **\*\* Dec. 30, 2008**

(54) **5 VALVE PORT PIPE BY FLANGE MANIFOLD**

(75) Inventor: **Spencer M. Nimberger**, Houston, TX (US)

(73) Assignee: **PGI International, Ltd.**, Houston, TX (US)

(\*\*) Term: **14 Years**

(21) Appl. No.: **29/293,914**

(22) Filed: **Dec. 18, 2007**

(51) **LOC (8) Cl.** ..... **15-01**

(52) **U.S. Cl.** ..... **D15/5**

(58) **Field of Classification Search** ..... D15/1,  
D15/3, 5; D23/233, 245; 137/597, 596.13,  
137/884

See application file for complete search history.

(56) **References Cited**

**U.S. PATENT DOCUMENTS**

4,582,089 A	4/1986	Nimberger	
4,920,626 A	5/1990	Nimberger	
4,974,308 A	12/1990	Nimberger	
5,709,247 A *	1/1998	Hutton	137/884
5,720,317 A	2/1998	Nimberger	
5,725,024 A	3/1998	Nimberger	
5,832,956 A	11/1998	Nimberger	
D406,320 S *	3/1999	Lynch et al.	D23/245
6,176,262 B1	1/2001	Nimberger	
D519,189 S	4/2006	Nimberger	
D520,110 S	5/2006	Nimberger	
D520,520 S	5/2006	Nimberger	
D520,598 S	5/2006	Nimberger	
D521,596 S	5/2006	Nimberger	

D521,597 S	5/2006	Nimberger	
D522,089 S	5/2006	Nimberger	
D535,722 S	1/2007	Nimberger	
D536,422 S	2/2007	Nimberger	
D543,997 S	6/2007	Nimberger	
D544,499 S	6/2007	Nimberger	
D544,500 S	6/2007	Nimberger	
D544,883 S	6/2007	Nimberger	
D544,884 S	6/2007	Nimberger	
7,225,832 B2 *	6/2007	Stamler	137/597
D549,732 S	8/2007	Nimberger	
D553,156 S	10/2007	Nimberger	

\* cited by examiner

*Primary Examiner*—Lisa P Lichtenstein

(74) *Attorney, Agent, or Firm*—Browning Bushman P.C.

(57) **CLAIM**

The ornamental design for a 5 valve port pipe by flange manifold, as shown and described.

**DESCRIPTION**

FIG. 1 is a perspective view of a 5 valve port pipe by flange manifold;

FIG. 2 is a top view thereof;

FIG. 3 is a bottom view thereof;

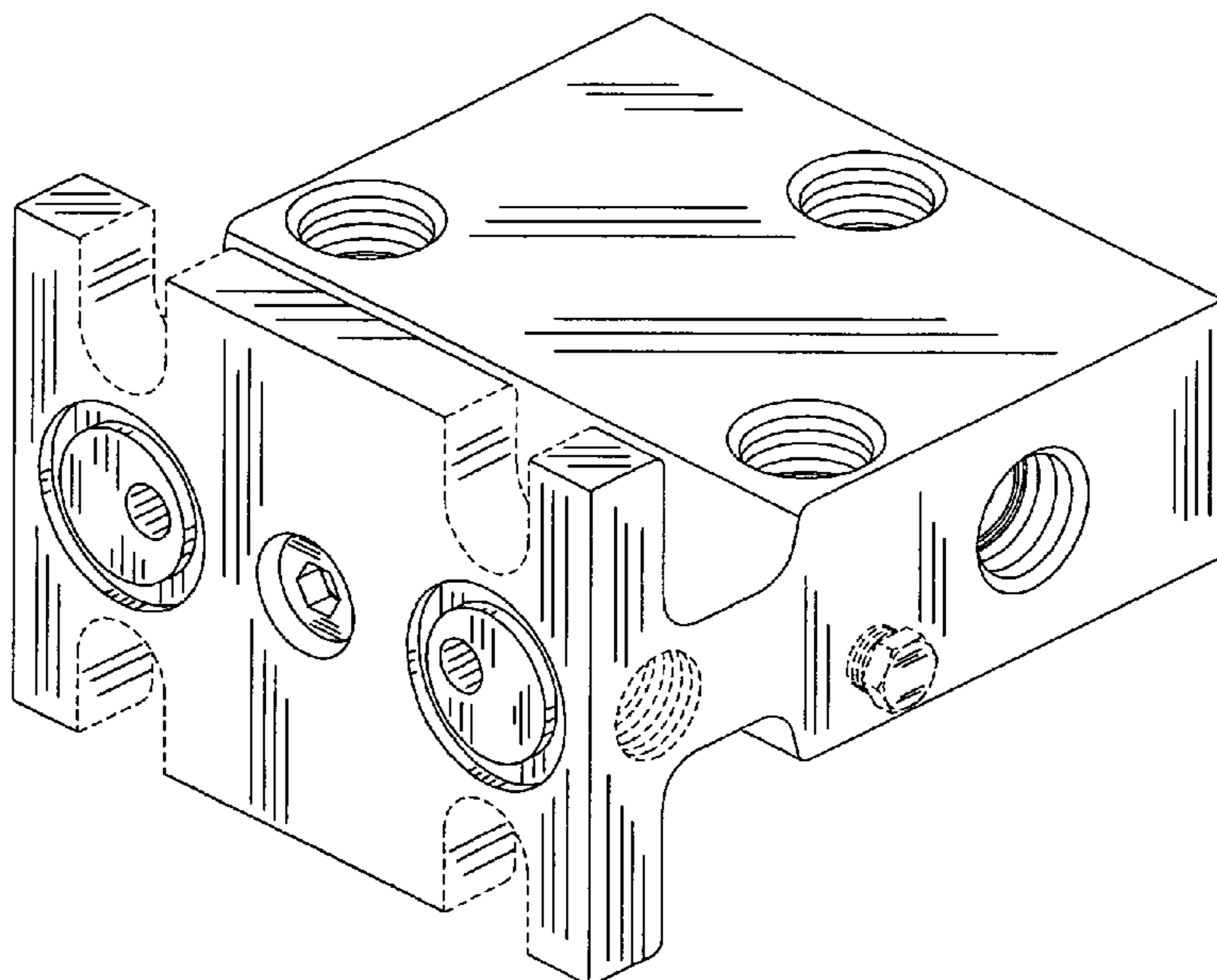
FIG. 4 is a rear view thereof;

FIG. 5 is a front view thereof; and,

FIG. 6 is a right-side view thereof, the left-side view is a mirror image thereof.

The broken line showing of portions of a 5 valve port pipe by flange manifold is included for the purpose of illustrating environmental structure and forms no part of the claimed design.

**1 Claim, 6 Drawing Sheets**



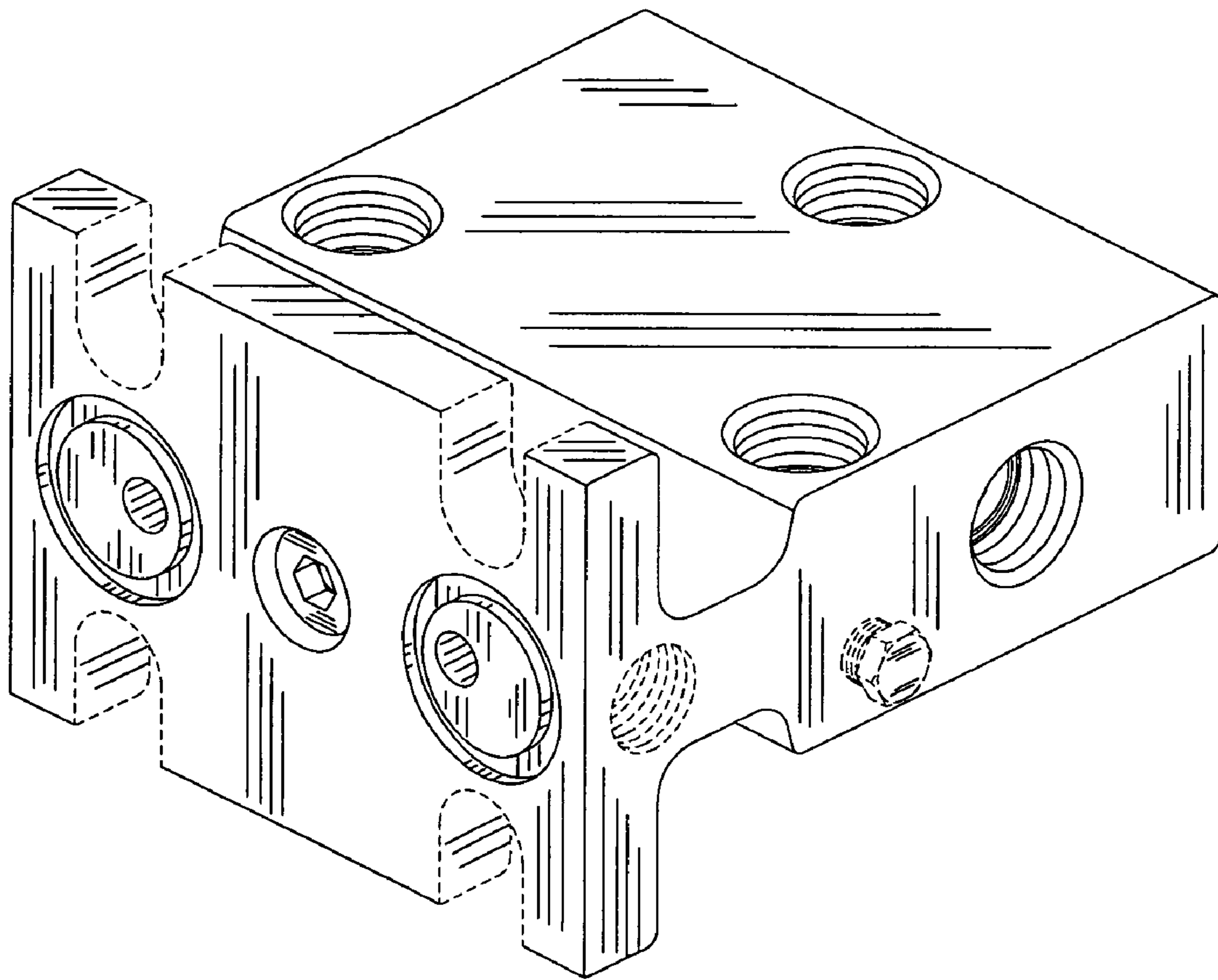


FIG. 1

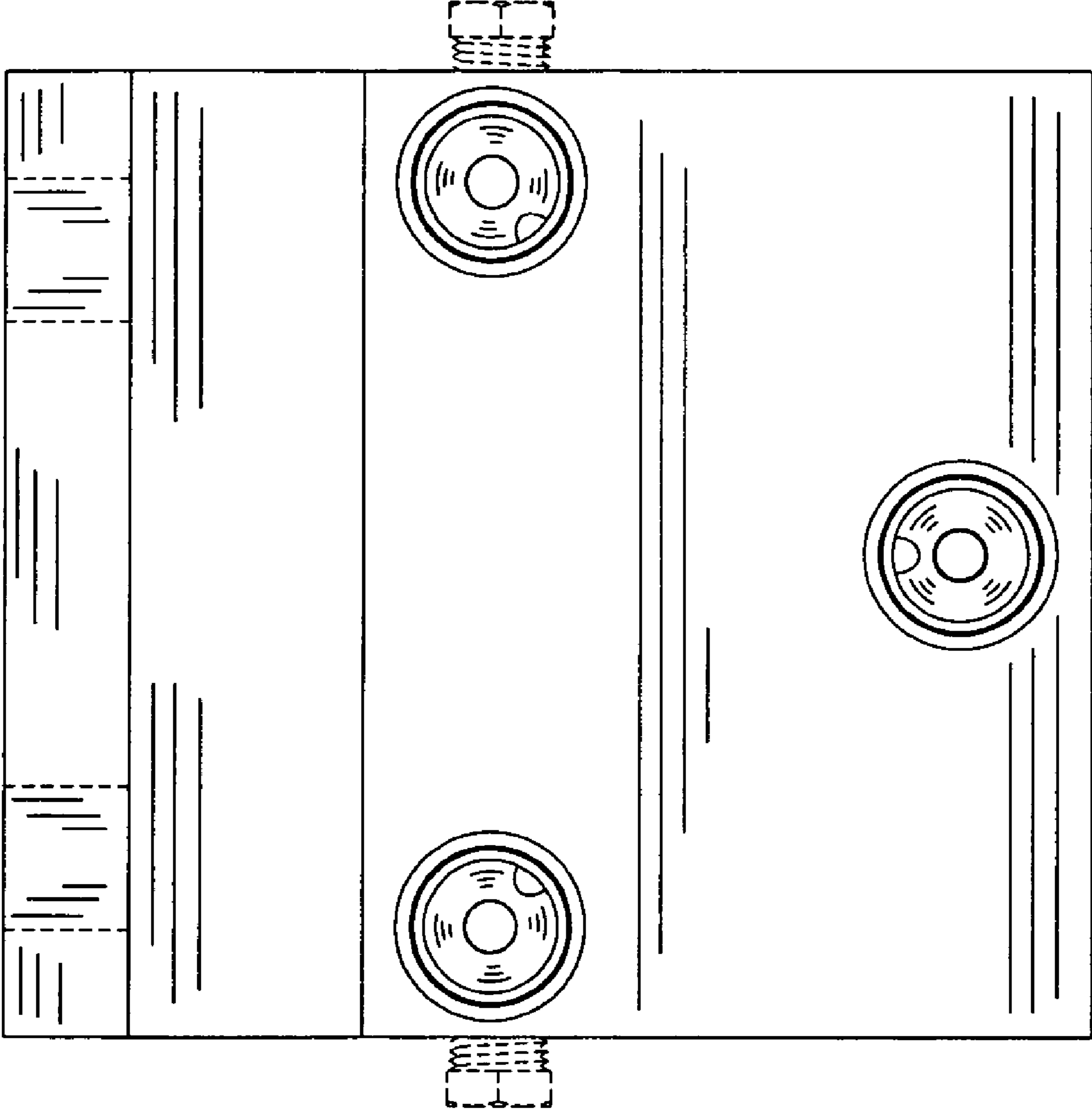


FIG. 2

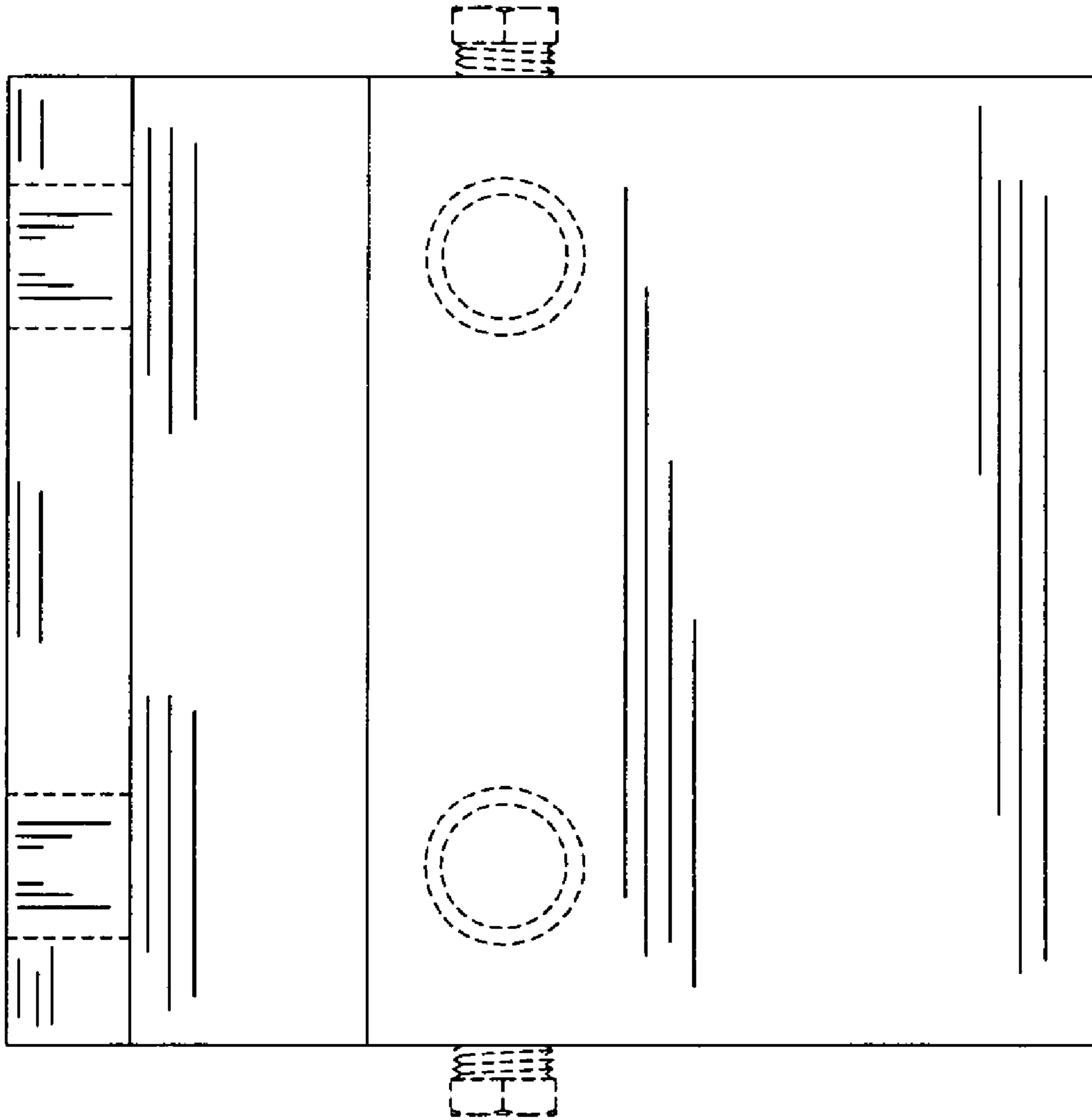


FIG. 3

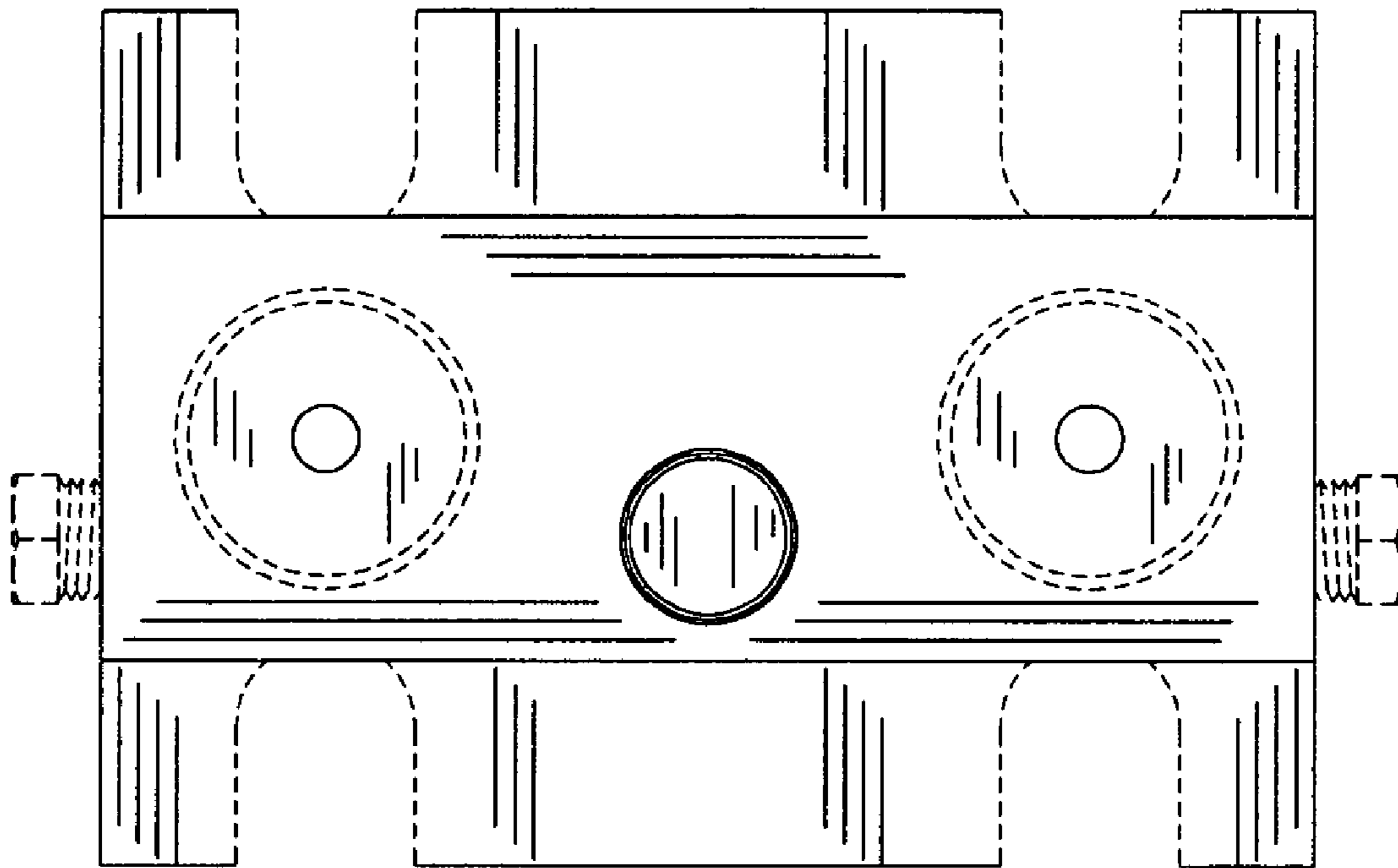


FIG. 4

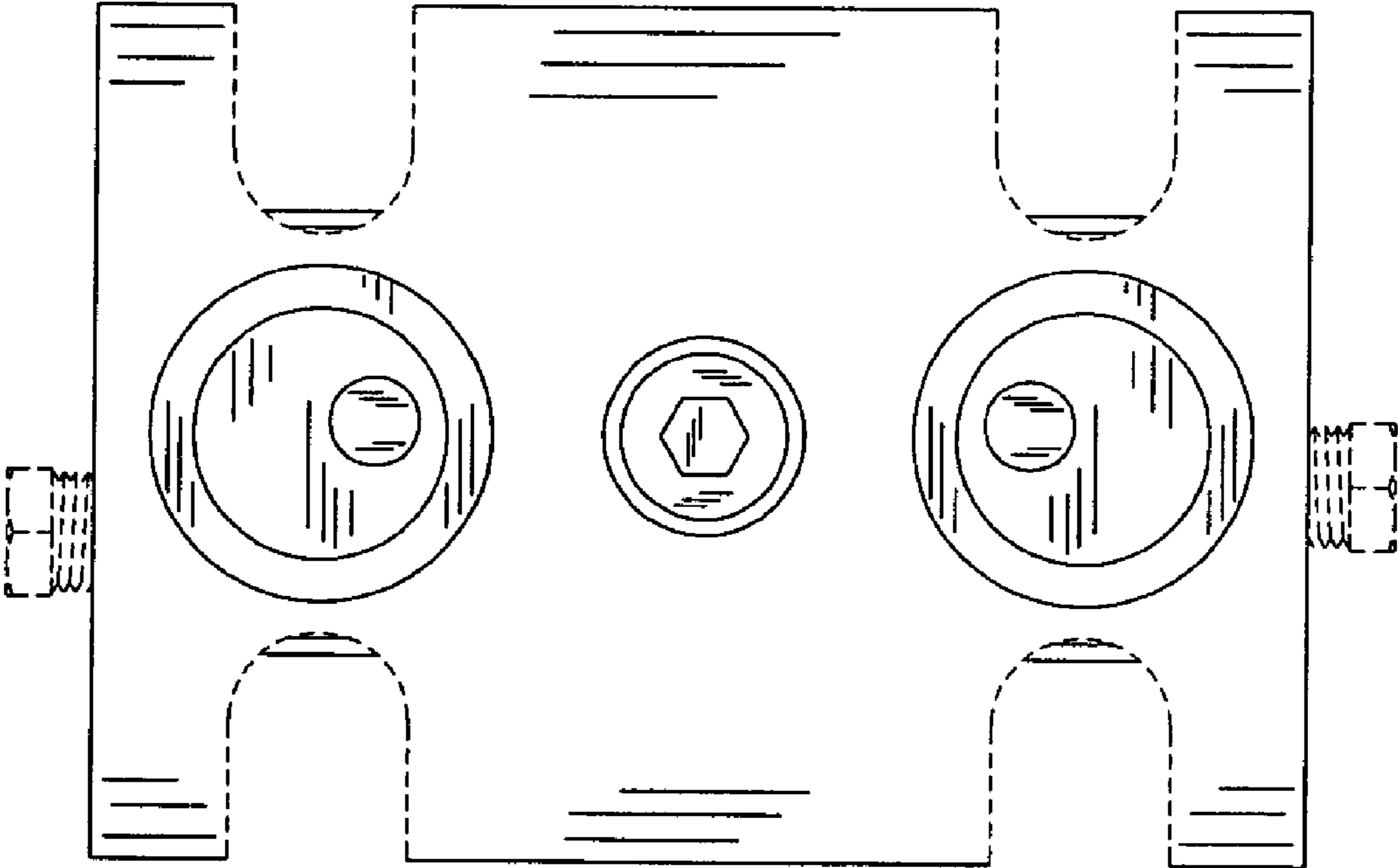


FIG. 5

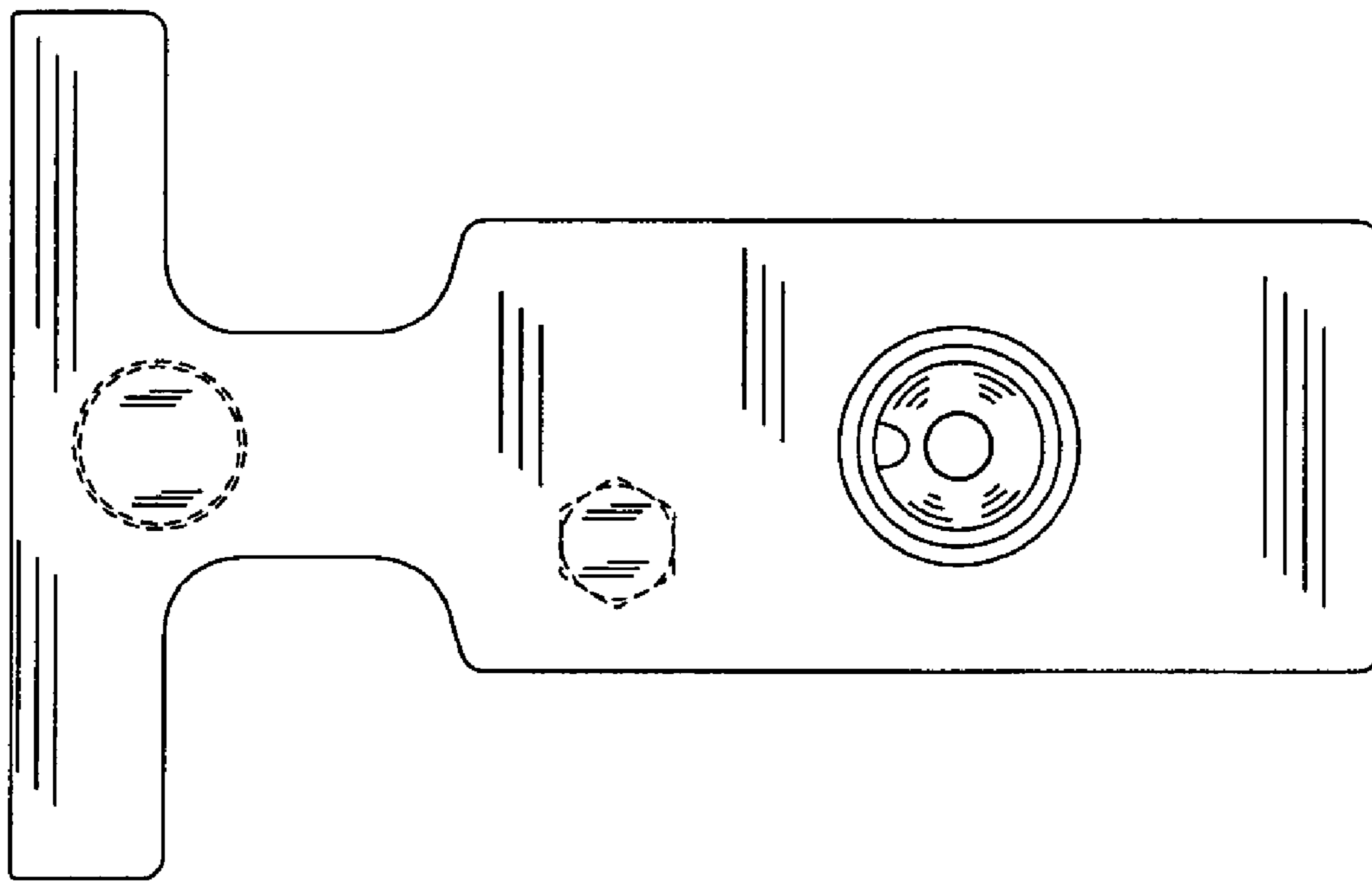


FIG. 6