



US00D583830S

(12) **United States Design Patent**
Burkhart et al.

(10) **Patent No.:** **US D583,830 S**

(45) **Date of Patent:** **** Dec. 30, 2008**

(54) **MARINE DRIVE HOUSING**

(75) Inventors: **Benjamin S. Burkhart**, Stillwater, OK (US); **David M. Heap**, Stillwater, OK (US); **Keith W. Schmidt**, Stillwater, OK (US)

(73) Assignee: **Brunswick Corporation**, Lake Forest, IL (US)

(**) Term: **14 Years**

(21) Appl. No.: **29/266,327**

(22) Filed: **Sep. 19, 2006**

(51) **LOC (8) Cl.** **15-01**

(52) **U.S. Cl.** **D15/4**

(58) **Field of Classification Search** D15/4;
440/84, 86, 53, 57, 111, 54

See application file for complete search history.

(56) **References Cited**

U.S. PATENT DOCUMENTS

D198,553	S *	6/1964	Kiekhaefer et al.	D15/4
3,957,011	A *	5/1976	Hurst	440/57
D297,846	S *	9/1988	Stevens et al.	D15/4
5,584,225	A *	12/1996	Arvidsson et al.	91/405
5,788,545	A *	8/1998	Borgersen et al.	440/2
6,322,404	B1 *	11/2001	Magee et al.	440/2
6,468,119	B1 *	10/2002	Hasl et al.	440/57
6,468,120	B1 *	10/2002	Hasl et al.	440/61 R

6,585,545	B1 *	7/2003	Neisen	440/57
D518,489	S *	4/2006	Jaszewski et al.	D15/4
7,175,491	B1 *	2/2007	Davis et al.	440/111
2002/0115359	A1 *	8/2002	Bland et al.	440/57

* cited by examiner

Primary Examiner—Ian Simmons

Assistant Examiner—Wan Laymon

(74) *Attorney, Agent, or Firm*—William D. Lanyi

(57) **CLAIM**

The ornamental design for a marine drive housing, as shown and described.

DESCRIPTION

FIG. 1 is a rear right perspective view of a marine drive housing showing our new design;

FIG. 2 is a rear left perspective view thereof;

FIG. 3 is a right side view thereof;

FIG. 4 is a left side view thereof;

FIG. 5 is a rear view thereof;

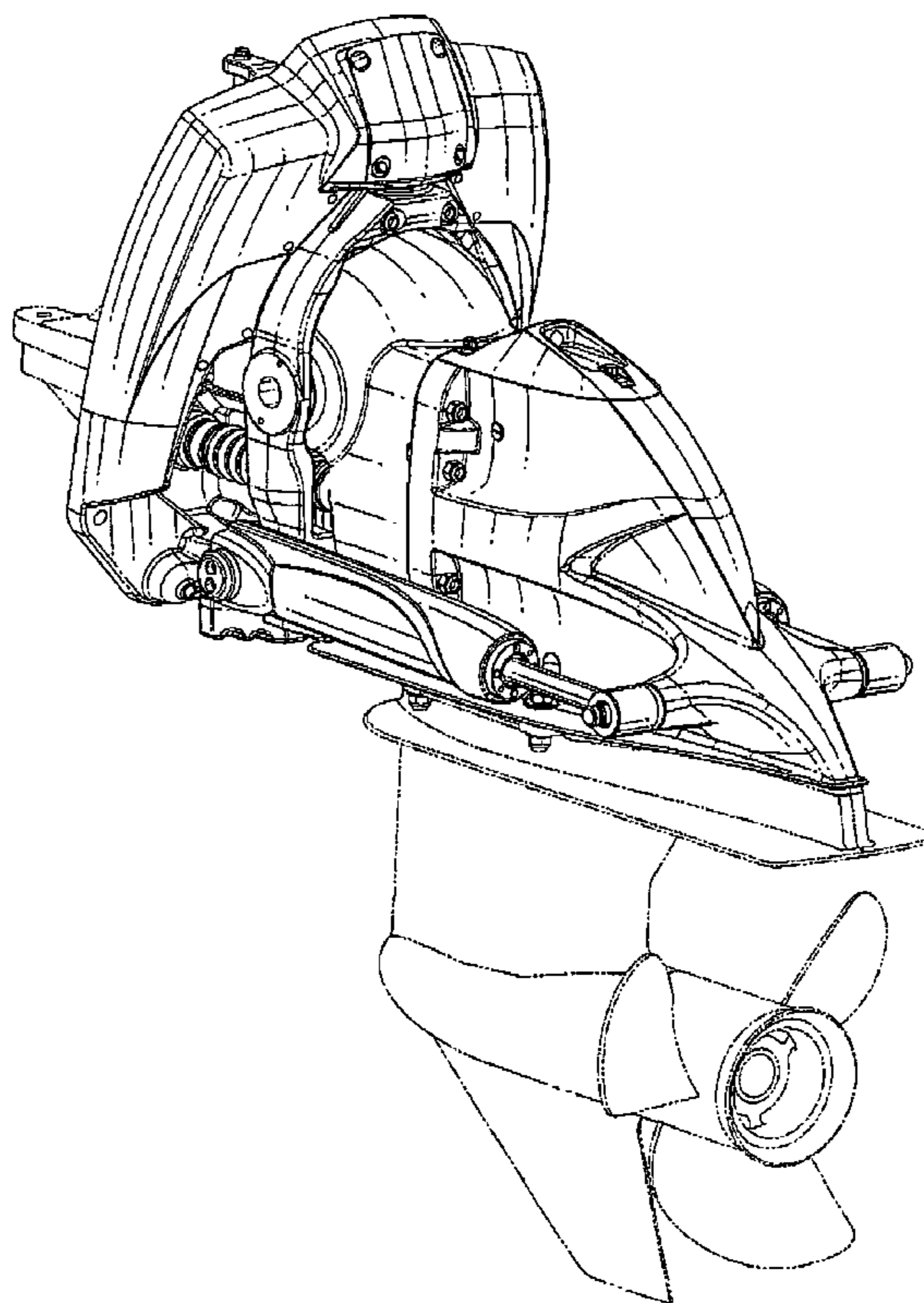
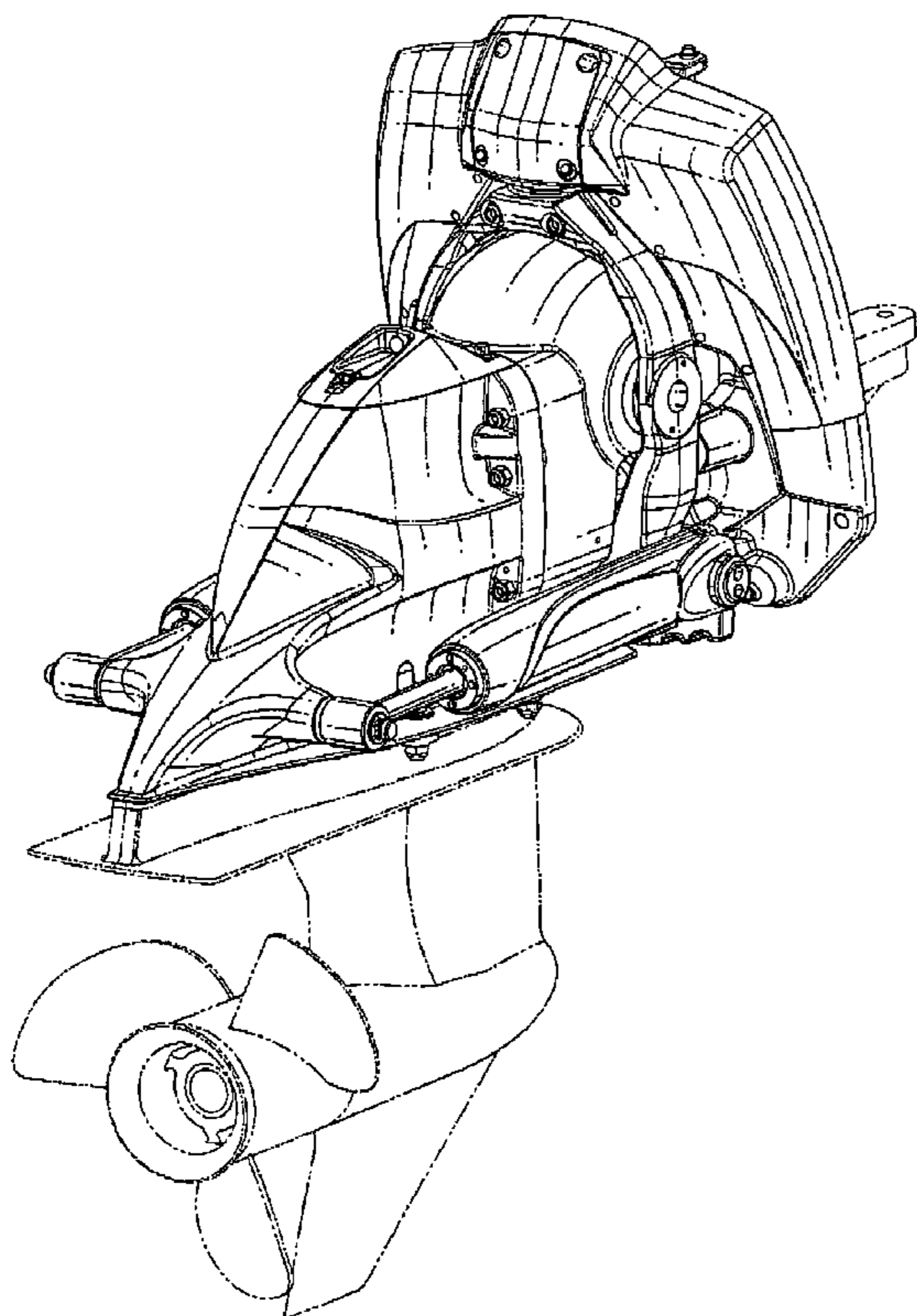
FIG. 6 is a front view thereof;

FIG. 7 is a top view thereof; and,

FIG. 8 is a bottom view thereof.

The broken line showing is for illustrative purposes only and forms no part of the claimed design.

1 Claim, 8 Drawing Sheets



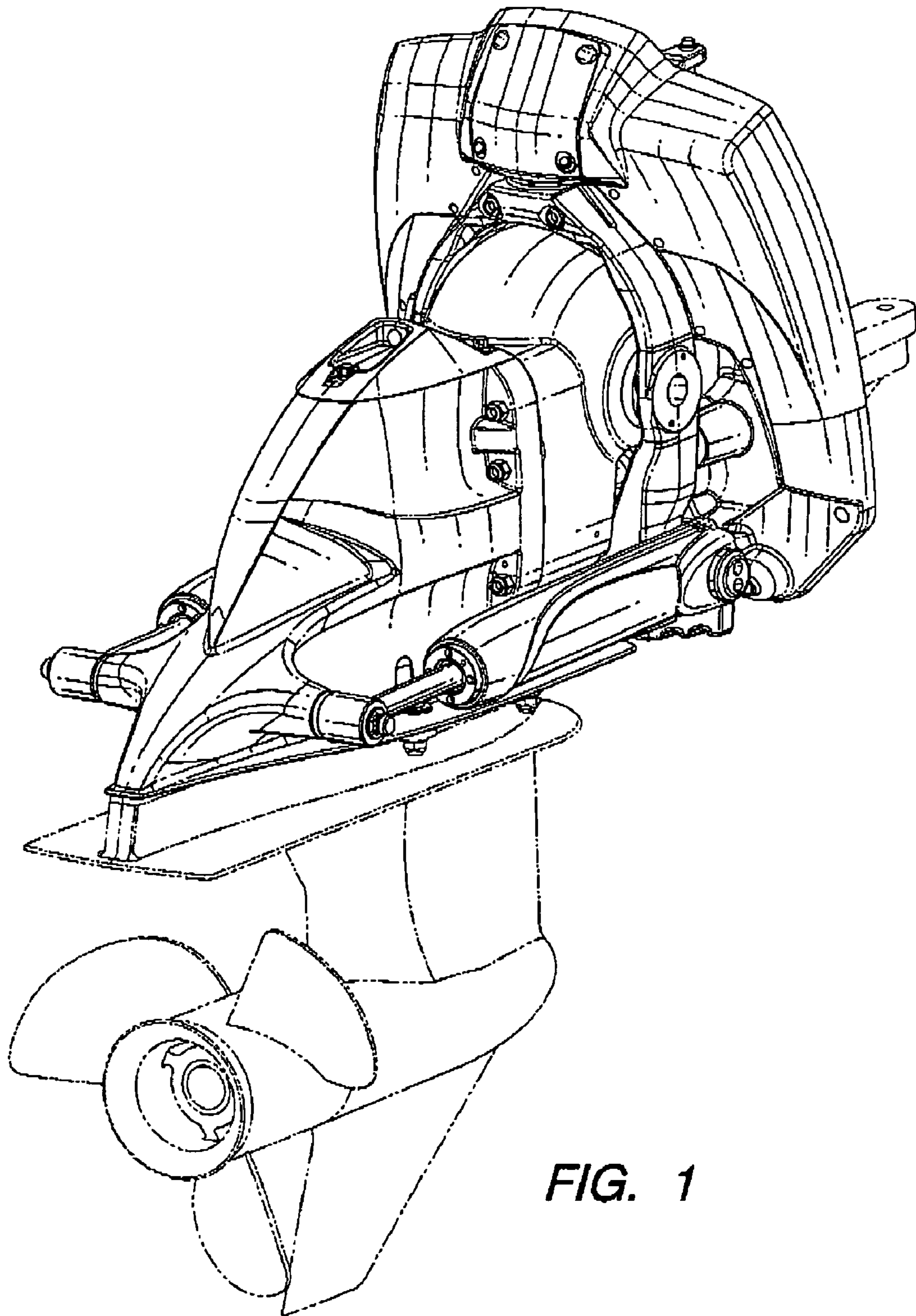


FIG. 1

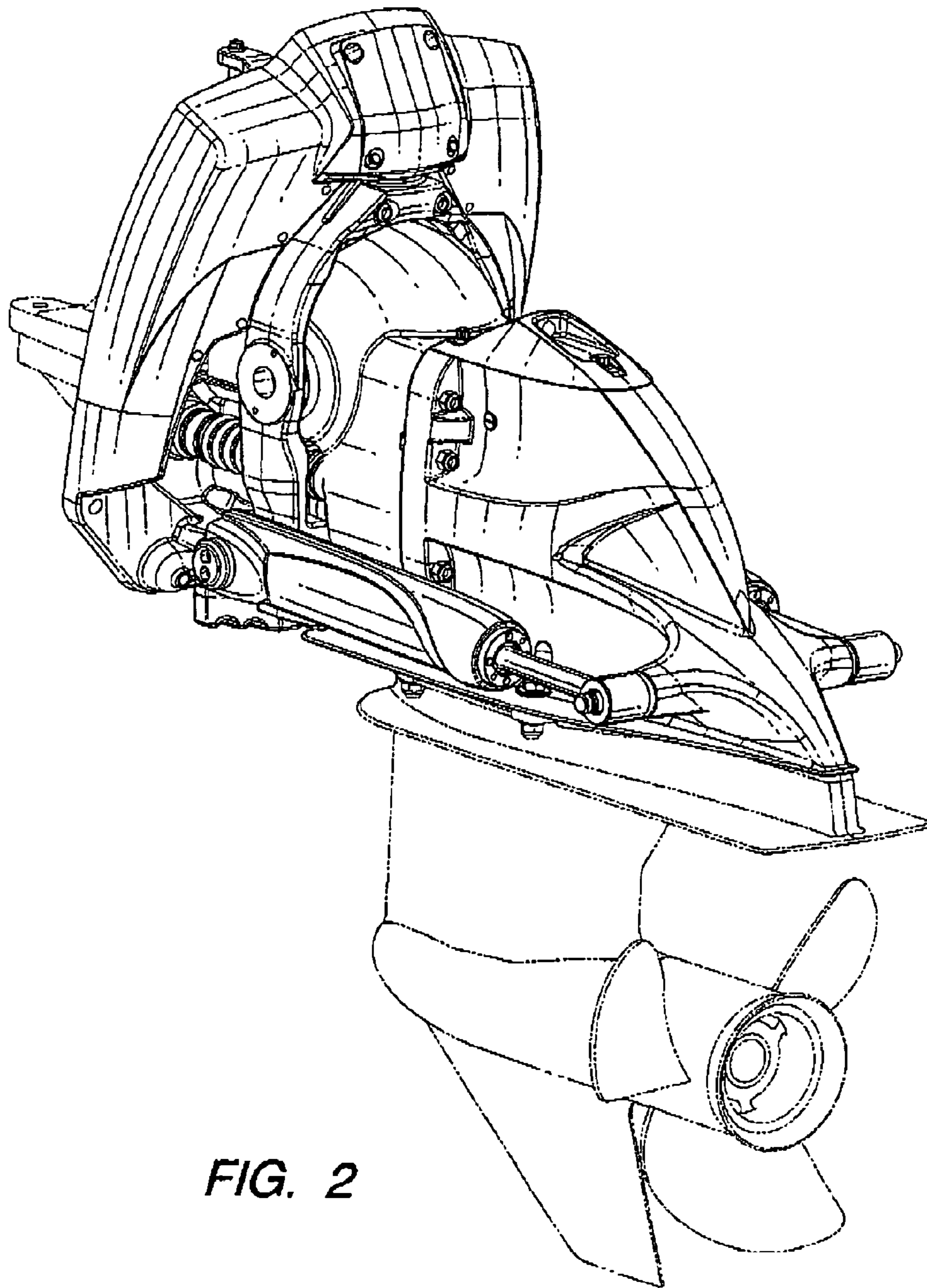


FIG. 2

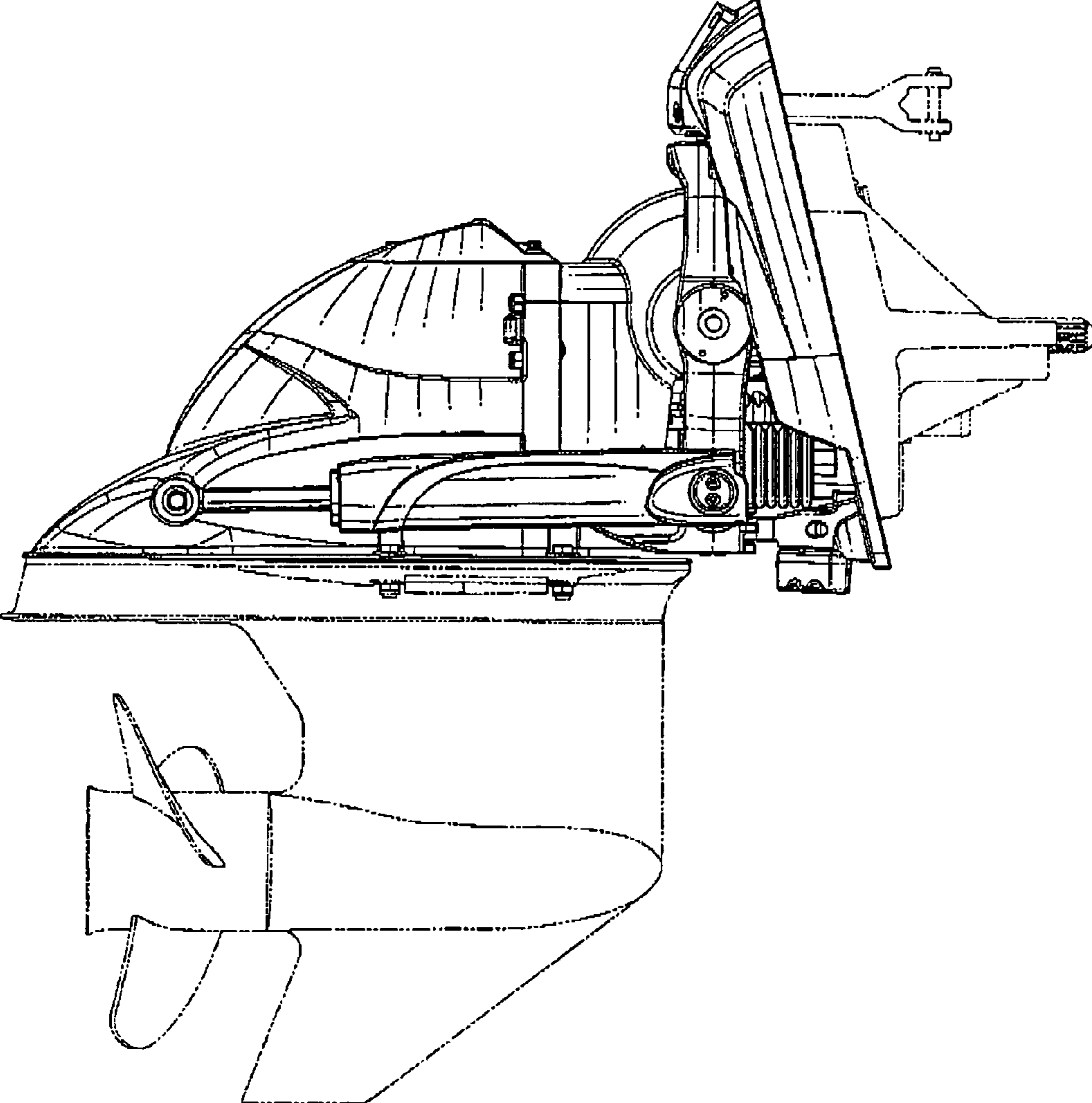


FIG. 3

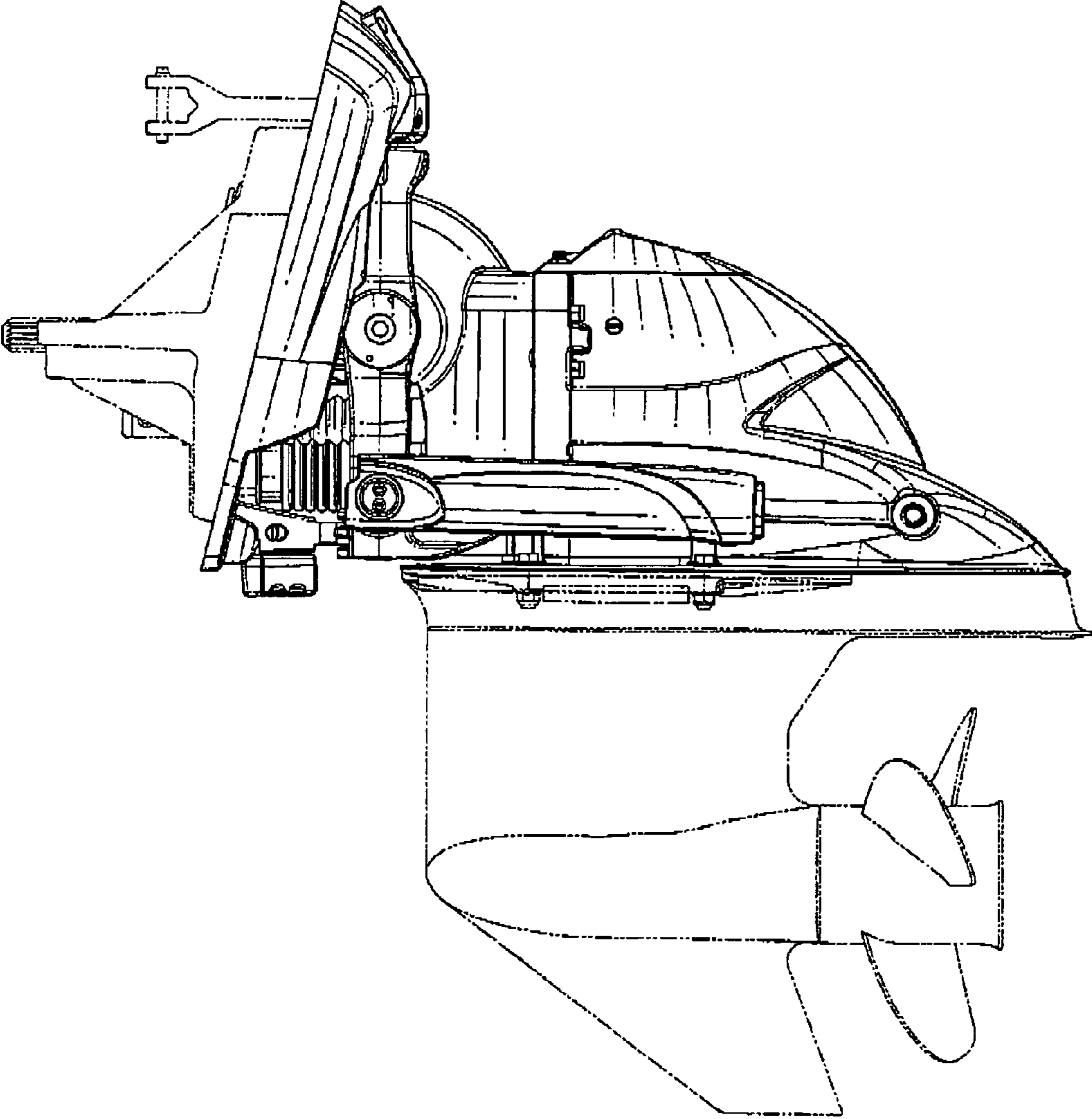


FIG. 4

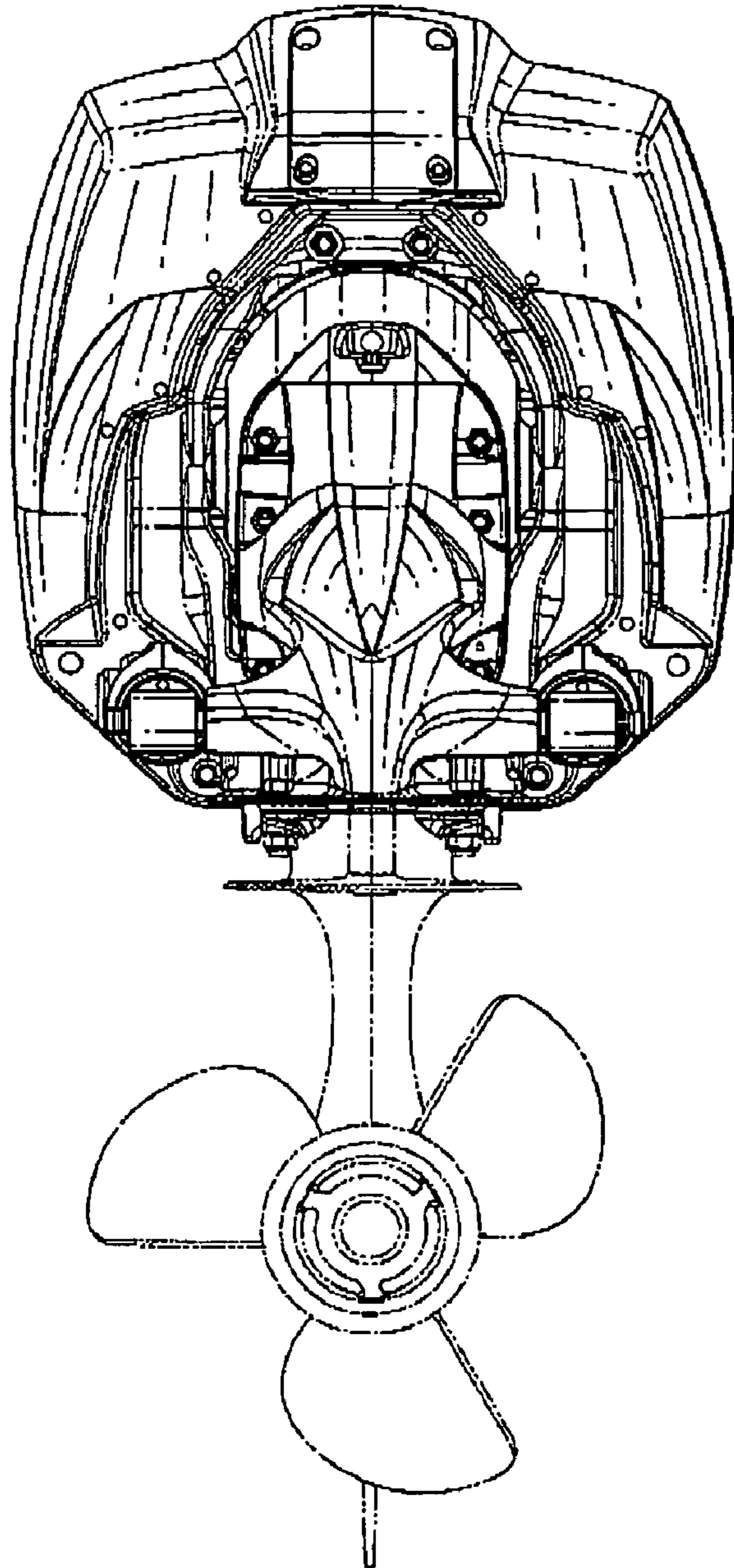


FIG. 5

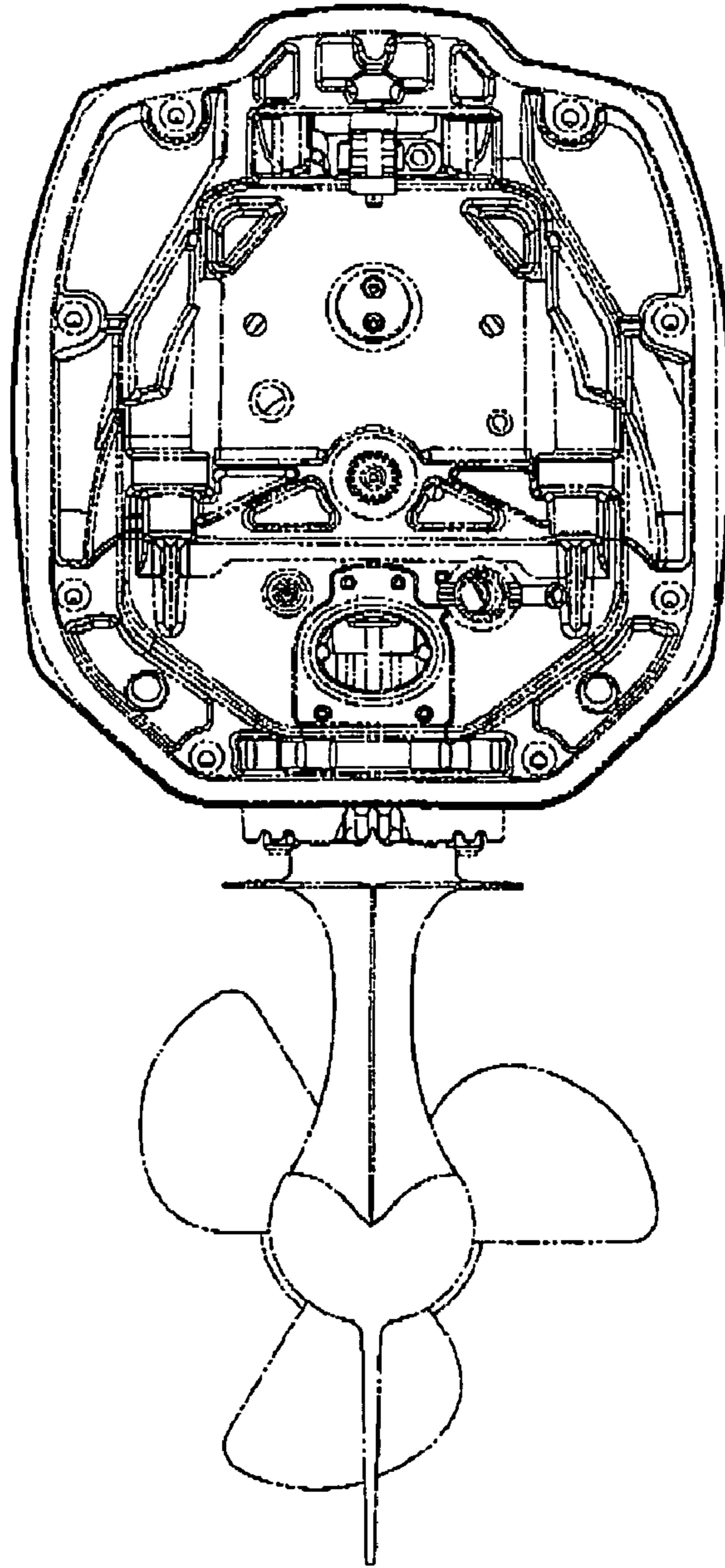


FIG. 6

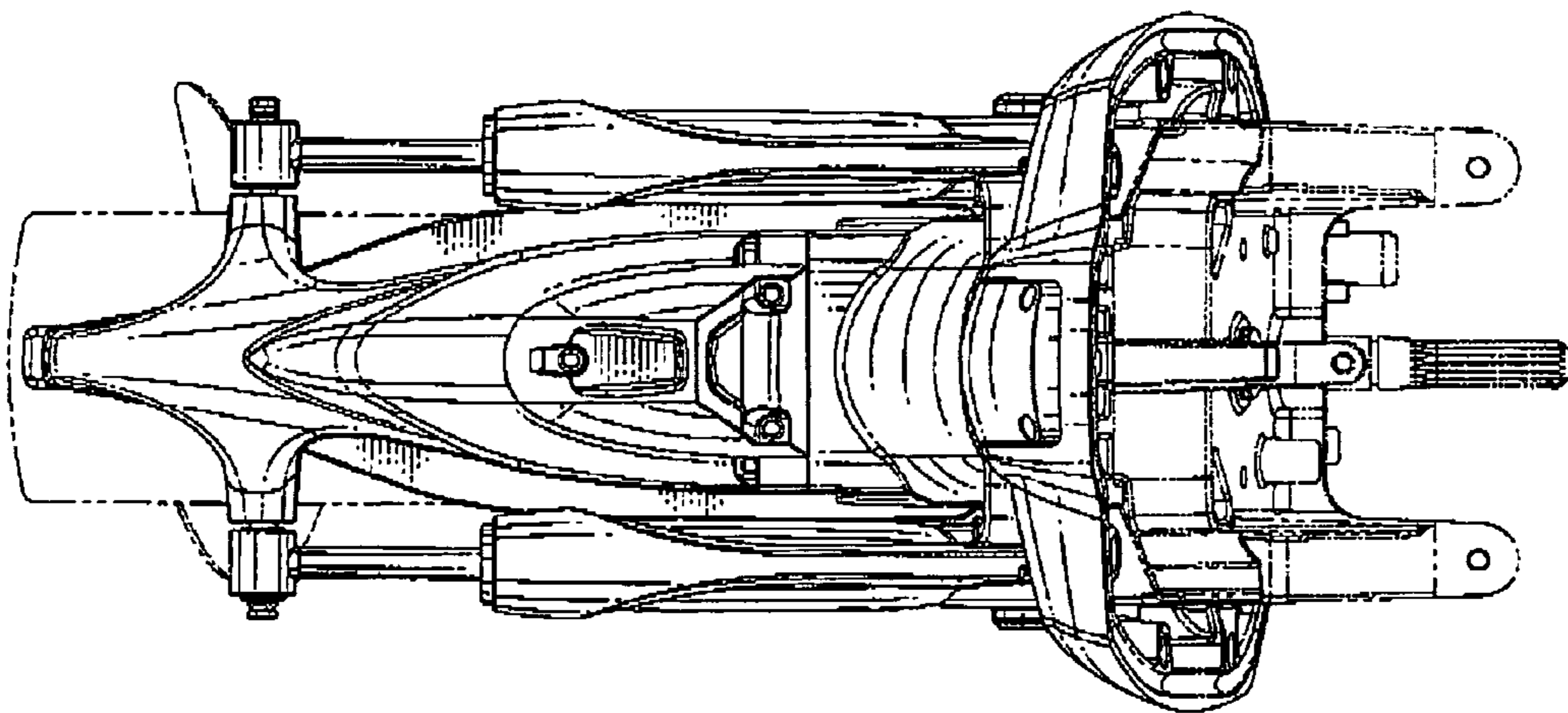


FIG. 7

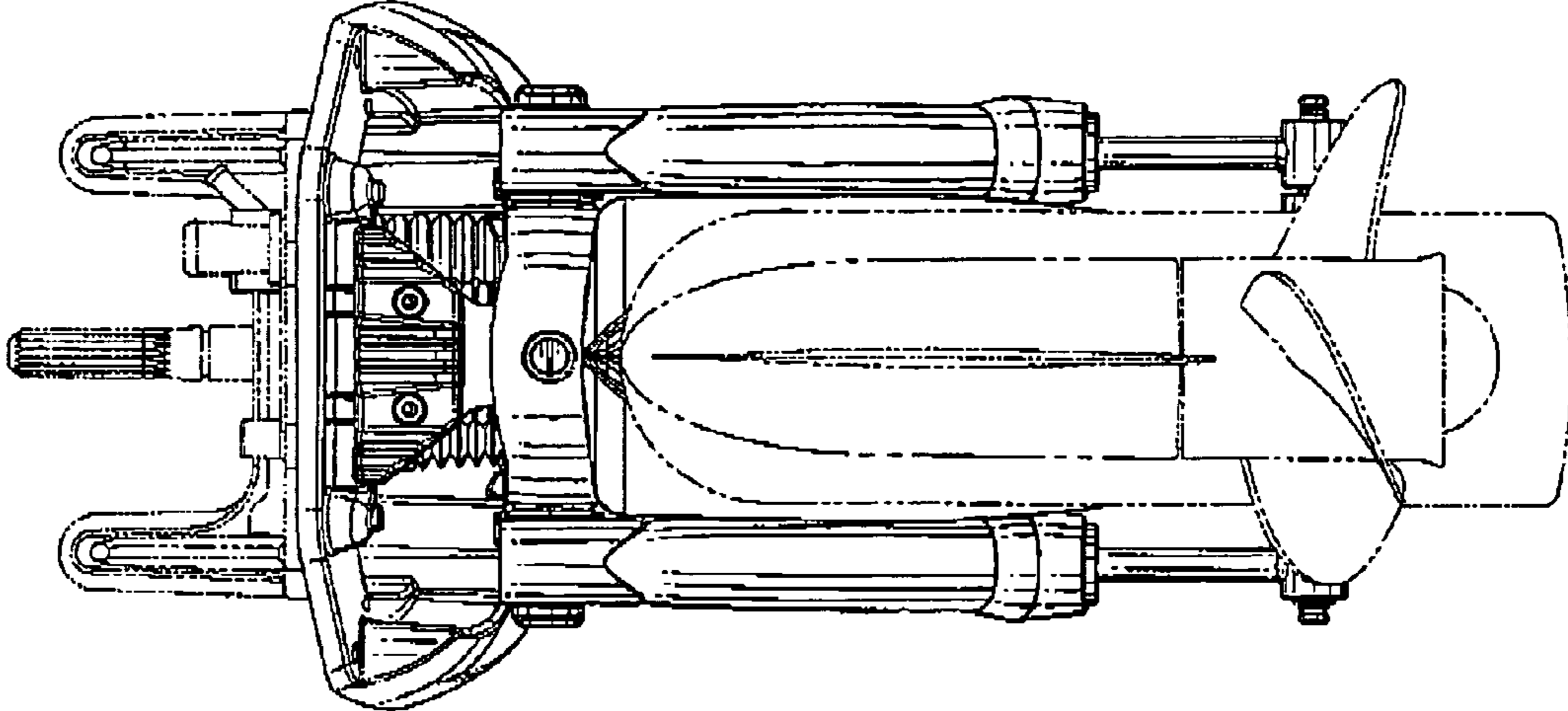


FIG. 8